

April 1, 2024



Firefighting Equipment for the Best & Bravest

# Europe Catalog

Health  
Wildland  
Industrial  
Fire Attack  
Water Supply  
Foam Delivery  
Apparatus Equipment



# TFT.com



TABLE OF CONTENTS.....	3-4	BLITZTAC™ Packages .....	53
CUSTOMER SUPPORT AND ORDER INFORMATION.....	5	BLITZFORCE™ Portable Lightweight Attack Monitor .....	54
HANDHELD NOZZLES		BLITZFORCE™ Portable Monitor Packages .....	54
G-FORCE Features.....	6-7	BLITZFORCE™ Oscillating PORTABLE LIGHTWEIGHT OSCILLATING ATTACK MONITOR.....	55
G-FORCE® DOMESTIC NOZZLES .....	8	BLITZFORCE™ OSC Portable Monitor Packages .....	55
Flow and Pressure Choices .....	8	Oscillating Portable Monitor with Safety Shut-off Valve .....	55
Style of Valve .....	9	PORTABLE / DECK GUN MONITOR	
25 mm and 38 mm.....	8-9	CROSSFIRE® SERIES .....	56
Impulse™ Trigger Valve System .....	10	SAFE-TAK™ 1250 CROSSFIRE PORTABLE BASE WITH SAFETY VALVE ...	56
G-FORCE® INTERNATIONAL NOZZLES		CROSSFIRE® SERIES ACCESSORIES	
25 mm (1.0") - 65 mm (2.5").....	11-12	EXTEND-A-GUN PIPE .....	57
G-FORCE® FOAM ATTACHMENTS		FLANGE TRUCK MOUNT ADAPTER .....	58
FOAMJET™.....	13	COMPANION FLANGE .....	58
BALL VALVE SERIES .....	14	TRUCK ADAPTER, 3.0" NPT FEMALE .....	58
25 mm and 38 mm.....	14	EXTEND-A-GUN RC3/CROSSFIRE ADAPTER.....	59
38 mm.....	15	CROSSFIRE® Packages.....	60-61
65 mm.....	16	HEMISPHERE™	
SMOOTHBORE TIPS		Transportable Monitor .....	62
25 mm and 38 mm.....	18	Transportable Monitor Mounting Options .....	63
38 mm.....	19	Transportable Monitor Accessories .....	64-65
DUAL GALLONAGE		MONITORS AND WATER CANNONS	
TWISTER™ NOZZLE SERIES 19 mm and 25 mm .....	20	*NEW FLEX MONITORS*	
TWISTER™ NOZZLE SERIES 38 mm .....	21	FLEX MOUNTED MONITORS.....	68-70
DUAL GALLONAGE FOAM		LEGACY TO FLEX EQUIVALENTS - MONITORS .....	71
BUBBLE CUP® FOAM NOZZLE SERIES 25 mm .....	22	LEGACY TO FLEX EQUIVALENTS - ELECTRONICS.....	72
BUBBLE CUP® FOAM NOZZLE SERIES 38 mm .....	23	FLEX ELECTRONIC CONTROLLER OPTIONS.....	72
SELECTABLE GALLONAGE		FLEX ELECTRONIC CANBUS ACCESSORIES .....	72
QUADRAFOG® DQ40 NOZZLE SERIES 25 mm .....	24	EF1™ RC	
QUADRAFOG® DQ60 NOZZLE SERIES 25 mm .....	25	10 to 200 gpm (40 to 750 l/min) .....	73
QUADRAFOG® NOZZLE SERIES 38 mm .....	26	TORNADO® RC	
QUADRAFOG® NOZZLE SERIES METRIC .....	27	500 gpm (2000 l/min) .....	75
AUTOMATIC		TORNADO® RC DUST MITIGATION	
ULTIMATIC™ 125 NOZZLE SERIES 25 mm .....	28	500 gpm (2000 l/min) Compact Industrial Monitor .....	78
ULTIMATIC™ 125 NOZZLE SERIES 38 mm .....	29	TORNADO® MANUAL MONITOR	
ULTIMATIC™ METRIC NOZZLE SERIES .....	30-31	500 gpm (2000 l/min) Compact Monitor .....	80
Handline™ Nozzle Series 38 mm.....	32	PROTECTOR™ FIXED STATION MONITOR	
Handline™ Nozzle Series 65 mm.....	33	1250 Gpm (4750 l/min).....	81
FLIP TIP® NOZZLES		HURRICANE™ MANUAL	
FLIP TIP® NOZZLES Domestic and International Features .....	34-35	1250 gpm (4750 l/min) Fixed Station Monitor .....	84
FLIP TIP® NOZZLES DOMESTIC .....	35	HURRICANE™ Packages .....	87
FLIP TIP® NOZZLES INTERNATIONAL.....	35	HURRICANE™ RC	
Transformer Nozzle System™		1250 gpm (4750 l/min) Remote Controlled Monitor .....	88
Transformer EV Nozzle System .....	36	Monsoon 1250 .....	90
Transformer Piercing Nozzle .....	37-38	Monsoon RC 1250.....	93
PORTABLE MONITORS		Monsoon 2000 .....	96
Portable Monitor Model Comparison.....	40-43	Tsunami RC .....	101
BLITZFIRE®		Remote Control Accessories .....	103-109
Portable Monitor with Safety Shut-off Valve.....	44	EXTEND-A-GUNS	
BLITZFIRE® Packages.....	44	EXTEND-A-GUN™ VP	
BLITZFIRE® Oscillating		3" (75 mm) Pneumatic Telescoping Waterway with Valve.....	111
BLITZFIRE® OSC Packages .....	46	EXTEND-A-GUN™ MANUAL	
BLITZFIRE® High Elevation		3" (75 mm) Manual Telescoping Waterway .....	112
High Elevation Portable Monitor with Safety Shut-off Valve .....	48	EXTEND-A-GUN™ RC3	
BLITZFIRE® HE Packages.....	48	3" (75 mm) Remote Control Telescoping Waterway .....	113
BLITZFIRE® High Elevation & Oscillating		EXTEND-A-GUN™ RC4	
High Elevation Oscillating Monitor with Safety Shut-off Valve .....	50	4" (100 mm) Remote Control Telescoping Waterway.....	114
BLITZFIRE® HE OSC Packages .....	50		
BLITZTAC™			
Portable Monitor with Safety Gating Inlet .....	52		



## MASTER STREAM NOZZLES MANUAL

MAX-SERIES™	116
MASTER FORCE™ SERIES	
AUTOMATIC 1100-3000 l/min	117
MASTER STREAM SERIES	
150-1000 gpm (600-3800 l/min)	118
MASTER STREAM 1250S SERIES	
570-4700 l/min Small Body	119
1100-4500 l/min Large Body	120
MASTER STREAM 1500 SERIES	
1100-6000 l/min	121
MASTER STREAM 2000 SERIES	
1100-7600 l/min	121
INDUSTRIAL	
ZN FIXED NOZZLE	122

## MASTER STREAM NOZZLES ELECTRIC REMOTE

ULTIMATIC™ SERIES	
40-500 l/min Automatic	123
50-450 l/min Selectable	123
MAX-FORCE™	
400-2000 l/min Dual Pressure Automatic	124
MASTER STREAM 1000 SERIES ELECTRIC REMOTE	
950-3800 l/min Selectable	125
570-3800 l/min Automatic	125
MASTER STREAM 1250S SERIES ELECTRIC REMOTE	
570-4700 l/min Small Body Automatic	126
MASTER STREAM 1250 SERIES ELECTRIC REMOTE	
1100-4500 l/min Large Body Automatic	127
MASTER STREAM 1500 SERIES ELECTRIC REMOTE	
1100-6000 l/min Automatic	128
MASTER STREAM 2000 SERIES ELECTRIC REMOTE	
1100-7600 l/min Automatic	129

## FOAM EQUIPMENT

IN-LINE FOAM EDUCTOR SERIES	
60, 95 & 125 Gpm and 225 & 450 L/min	131
250 & 350 Gpm and 1000 & 1500 L/min	132
LOW EXPANSION FOAM ATTACHMENT	
FOAMJET™	133
FOAMJET™LX	133
MX FOAMJET™ and FOAMJET™LX FOR MASTER STREAM NOZZLES	133
MULTI EXPANSION FOAM ATTACHMENT	
MX FOAMJET™	134

PRO/pak®	135
----------	-----

## APPLIANCES

FORESTRY VALVE	
Forestry Tee Valves	138
Gated Wyes	138
GATED WYE	
Gated Wyes 2.5" x 1.5" (65 mm x 38 mm)	139
2.5" (65 mm)	140
3-WAY VALVED MANIFOLD	141
3-WAY SIAMESE MANIFOLD	141
4-WAY VALVED MANIFOLD	142
5-WAY VALVED MANIFOLD	143
BARREL STRAINER	144
FLOATING BARREL STRAINER	144
FLOATING LOW-LEVEL STRAINER WITH JET SIPHON	145

## FLOW TEST

SHO-FLOW® APP	147
SHO-FLOW® 1 AND SHO-FLOW® 2	148
Bluetooth® Flow Meters	148
SHO-GAUGE™	149
Bluetooth® Pressure Gauges	149
LINE PRESSURE GAUGES	150
1.5" and 2.5" (38 mm and 65 mm)	150

## HEALTH & AIR QUALITY

What is the Health Continuum?	152
CREWPROTECT™	153
CREWPROTECT™ REPLACEMENT CARTRIDGES	154
STATIONPROTECT™	155
DECON/PAK™	
Portable Decontamination System	156

## CONTACT INFORMATION

Address: Task Force Tips LLC  
3701 Innovation Way  
Valparaiso, IN 46383 USA

Email: Service .....service@tft.com  
Sales.....sales@tft.com

Phone: USA & Canada .....800-348-2686 or 219-462-6161  
International .....+1-219-462-6161

Web: Tft.com

Social: Search Task Force Tips     

## CATALOG ITEM PRICING

TFT has created a separate price list for items found in this catalog. To download the most current price list or to find a PDF version of this document, go to [tft.com/Catalog-Price-List](http://tft.com/Catalog-Price-List). In addition, products on TFT's website include the current list price.

## THREAD ORDERING INFORMATION

All products will be delivered with National Hose threads (NH) unless otherwise specified at the time of order.

National Hose threads (NH) per NFPA 1963. British Standard Pipe threads (BSP) with 55 degree Whitworth form are produced to ISO 228. Straight Iron Pipe threads (NPSH, IPT or SIPT) are produced to ANSI/ASME B1.20.7-1991. Tapered Iron Pipe threads (NPT, TPT or TIPT) are produced to ANSI/ASME B1.20.1-1983 (R1992). Consult the factory for further information.

Thread Code Notation: There is no additional charge for special threads. We maintain a library of hundreds of special thread specifications. Specifications from individual cities with functionally identical threads are grouped together in thread codes. TFT's code or specifications for threads will be needed at time of order. Please include TPI (threads per inch) and ODM (outside diameter). Also provide name of city to assure special threads match your specification. Some codes may extend normal order delivery times.

Task Force Tips products are available with many optional inlets. Optional inlet coupling styles are normally kept in stock. Consult factory for your specific requirements. For additional information on thread specifications and ordering, see thread information in the Technical Data section in the back of the catalog.

## RETURN POLICY

Seller will not consider requests for credit returns made more than 180 days after the date of shipment. Shipments received in a damaged condition must be reported to us immediately upon receipt. No credit returns shall be accepted by Seller unless accompanied by a Return Goods Authorization (RGA) issued by Seller. Seller shall have no obligation to issue an RGA. Seller reserves the sole right to determine the eligibility of items for credit.

Items which are received in non-returnable condition for credit will be handled in one of the following ways:

- Destroyed with Purchaser's approval
- Returned to Purchaser at its expense
- Refurbished and returned to Purchaser at its expense with its approval
- Partial credit issued to Purchaser at the sole discretion of Seller

Seller will have no responsibility or liability in connection with items returned for credit without an RGA. Credit returns arriving without a valid RGA may be refused. All items returned must be properly packed and identified in accordance with the RGA.

All costs and expenses associated with credit returns shall be borne by Purchaser. Return costs and expenses may include labor, material, administrative, and any other costs and expenses arising out of the return.

A minimum 20% restocking charge will be assessed on all credit returns. Any credit will be subject to and conditioned the receipt of the returned items in new, unused, undamaged and salable condition. All promos that no longer qualify will be reversed. Individual components purchased as part of a "package" may not be returned.

Seller may accept a credit return and waive the restocking or cancellation fee in the event Seller determines that the return was due to an error that was the fault of Seller. Returns for repair do not require an RGA, but should be registered using the TFT website at [tft.com/support](http://tft.com/support). If use of the website is not possible, information concerning repairs can be obtained by calling the Seller's Customer Care Team at 219-462-6161 or writing to Seller at Task Force Tips, 3701 Innovation Way, Valparaiso, IN 46383, USA. Repair returns may be subject to a repair estimate fee that will be waived if the repair is made.

All credit and repair returns are at Purchaser's or its customer's sole risk and expense, and any shipping charges on returned items shall be paid by Purchaser or its customer. No collect shipments will be accepted unless authorized in writing in advance by Seller.

## STATEMENT OF WARRANTY AND REPAIR

Task Force Tips LLC, 3701 Innovation Way, Valparaiso, Indiana 46383-9327 USA ("TFT") warrants to the original purchaser of its nozzles and other equipment ("equipment"), and to anyone to whom it is transferred, that the equipment shall be free from defects in material and workmanship. The warranty period on most products is five (5) years from the date of manufacture. Select items have either a one (1), two (2), three (3) or ten (10) year warranty. See TFT operations manual for details. TFT's obligation under this warranty is specifically limited to replacing or repairing the equipment (or its parts) which are shown by TFT's examination to be in a defective condition attributable to TFT.

To qualify for this limited warranty, the claimant must return the equipment to TFT, at 3701 Innovation Way, Valparaiso, Indiana 46383-9327 USA, within a reasonable time after discovery of the defect. TFT will examine the equipment. If TFT determines that there is a defect attributable to it, TFT will correct the problem within a reasonable time. If the equipment is covered by this limited warranty, TFT will assume the expenses of repair. If any defect attributable to TFT under this limited warranty cannot be reasonably cured by repair or replacement, TFT may elect to refund the purchase price of the equipment, less reasonable depreciation, in complete discharge of its obligations under this limited warranty. If TFT makes this election, claimant shall return the equipment to TFT free and clear of any liens and encumbrances.

This is a limited warranty. The original purchaser of the equipment, any person to whom it is transferred, and any person who is an intended or unintended beneficiary of the equipment, shall not be entitled to recover from TFT any consequential or incidental damages for injury to person and/or property resulting from any defective equipment manufactured or assembled by TFT. It is agreed and understood that the price stated for the equipment is in part consideration for limiting TFT's liability. Some states or countries do not allow the exclusion or limitation of incidental or consequential damages, so the above may not apply to you. TFT shall have no obligation under this limited warranty if the equipment is, or has been, misused or neglected (including failure to provide reasonable maintenance) or if there have been accidents to the equipment or if it has been repaired or altered by someone else.

THIS IS A LIMITED EXPRESS WARRANTY ONLY. TFT EXPRESSLY DISCLAIMS WITH RESPECT TO THE EQUIPMENT ALL IMPLIED WARRANTIES OF MERCHANTABILITY AND ALL IMPLIED WARRANTIES OF FITNESS FOR A PARTICULAR PURPOSE. THERE IS NO WARRANTY OF ANY NATURE MADE BY TFT BEYOND THAT STATED IN THE DOCUMENT. This limited warranty gives you specific legal rights, and you may also have other rights which vary from state to state.





# HANDHELD NOZZLES

Regardless of your flow, operating pressure, or control preference, TFT has a nozzle for your departments' hoselines. Firefighters around the globe trust their TFT nozzle in fixed, selectable, and automatic styles to work for decades. Models include nozzles in various operating pressures, flows and sizes for wildland, municipal, and industrial applications including options for optimal foam performance and specialty applications.



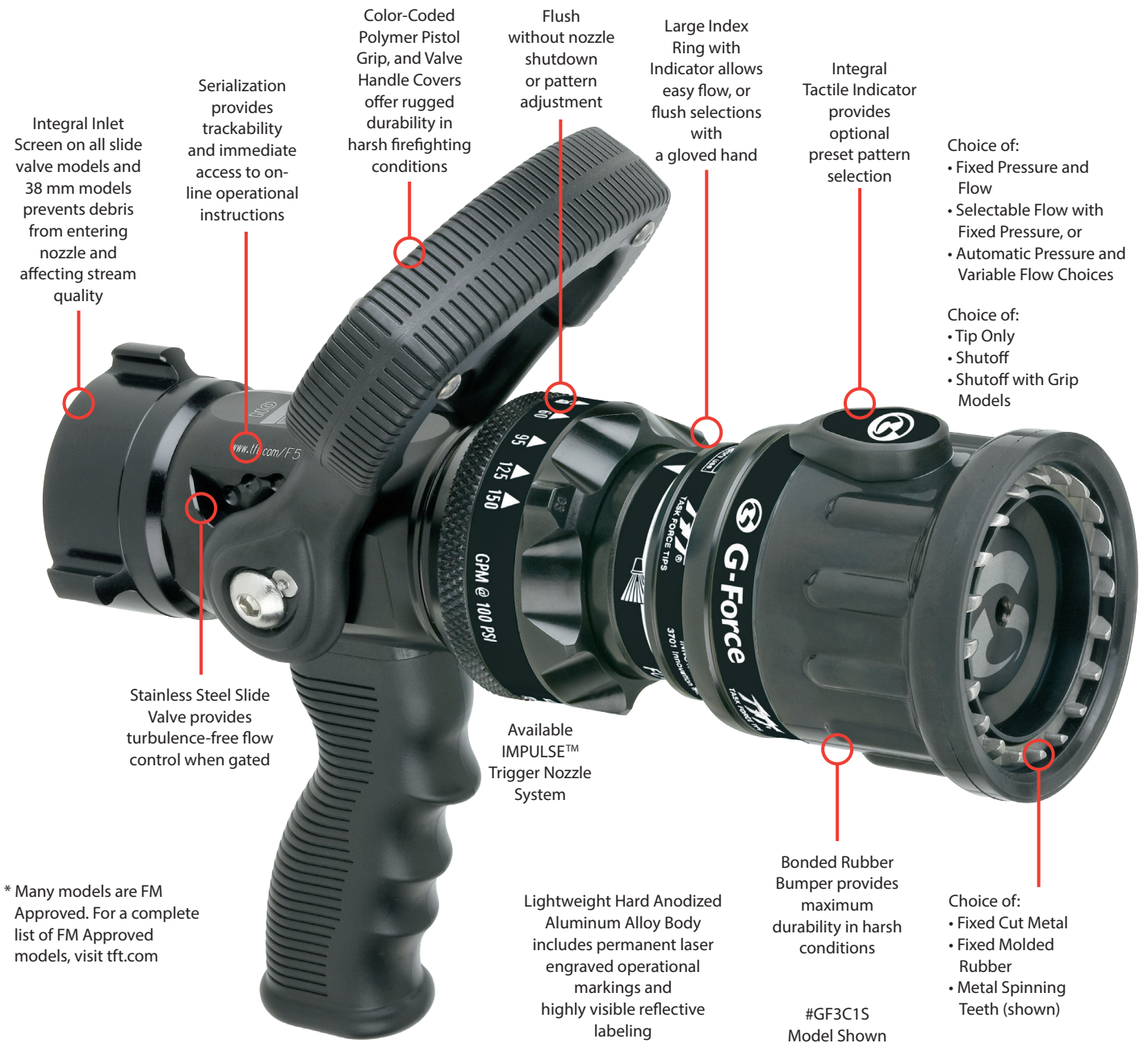
# G-FORCE® NOZZLES

## High Performance Features



Based on a highly customizable global nozzle platform design, the unique G-Force series of fixed, selectable, and automatic nozzles combine over 40 years of Task Force Tips design innovation and experience into true next generation firefighting tools. Manufactured exclusively at TFT's USA production facilities, the G-Force series is supported by an extensive infrastructure of 24-hour technical service representatives,

on-line documentation, digital video training library, exclusive product serialization and tracking capabilities, and a proven 5 year product warranty. Incorporating unique performance components such as a stainless steel slide valve, inlet debris screen and protective fog pattern choices, the G-Force series delivers high performance and rugged dependability in a low cost package.





**G-FORCE® NOZZLES**  
High Performance Features



**Tip Only, Shutoff and Shutoff with Grip Models**

With hundreds of available models, the G-Force series offers two piece tip only and ball valve configurations for break-and-extend operations, as well as one piece nozzles with an integrated slide valve. All models, including two piece ball valve configurations, can be ordered with a color coded pistol grip and valve handle cover.



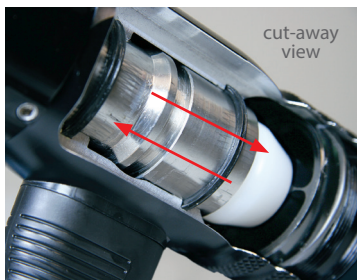
**Fixed Cut Metal, Molded Rubber, or Metal Spinning Teeth**

All models may be ordered with your choice of diamond cut fixed metal, fixed molded rubber, or metal spinning teeth. All fog teeth are designed to provide superior pattern performance and outstanding firefighter protection without bent, broken, or missing teeth. The bonded rubber bumper provides long term rugged dependability even in the harshest firefighting conditions.



**Rugged Color Coded Valve Handle and Pistol Grip**

Ergonomically shaped pistol grip, valve handle and covers made



from super tough polymer for rugged dependability. Eleven available colors allow for customization for pump discharge hoseline identification, for specific fire apparatus, specific stations or department.

**Stainless Steel Slide Valve**

Unique slide style valve with positive valve position detents provides turbulence-free stream performance even when gating the nozzle.



**Integral Debris Screen**

Inlet screen on all slide valve models and 38 mm models prevents pattern destroying debris from entering the nozzle and becoming lodged. Items that pass through the screen are easily flushed out the front of the nozzle.

**Flush without Pattern Adjustment or Nozzle Shut Off**

Nozzles can be easily and effectively flushed of unwanted and pattern destroying debris that enters the nozzle without shutting down or changing



pattern selection during hazardous firefighting conditions.



**Reflective Labeling and Permanent Laser Markings**

Reflective clear coated labeling provides a visually reflective image at night or in dark conditions. High contrast laser engraved

operational controls are permanently marked for a lifetime of rugged service.

**Model Serialization**

Each nozzle is permanently marked with a unique serial number that aids in departmental asset tracking, manufacture date, model identification, and easily tracks service and warranty activities. Web



enabled online serial number search also provides immediate access to all operational and service documentation.



**Index Ring**

Large, easy to grip index ring provides both visual and tactile indication of operational flow or flush choices.



**Tactile Pattern Position Indicator**

Tactile indicator preset to straight stream position offers optional pattern selection detent. The quick change pattern adjustment allows straight stream to a wide protective fog pattern with one simple hand motion.

# G-FORCE® DOMESTIC NOZZLES

## Flow and Pressure Choices



**Fixed Pressure and Flow**  
Optimal straight stream and fog pattern performance are achieved at a single rated flow and single rated pressure.

**Selectable Flow with Fixed Pressure**  
Optimal straight stream and fog pattern performance are achieved at the selected flow and the single rated pressure.

**Automatic Pressure / Variable Flow**  
Optimal straight stream and fog pattern performance are achieved over the rated flow range at the rated pressure.

### 1.5" (38 mm) G-Force Flow and Pressure

A	Fixed 150 gpm @ 100 psi (570 l/min @ 7 bar)
B	Fixed 150 gpm @ 75 psi (570 l/min @ 5 bar)
C	Selectable 30/60/95/125/150 gpm @ 100 psi (110/230/360/470/570 l/min @ 7 bar)
D	Selectable 30/60/95/125/150 gpm @ 75 psi (110/230/360/470/570 l/min @ 5 bar)
E	Automatic 60-150 gpm @ 100 psi (230-570 l/min @ 7 bar)
F	Automatic 60-150 gpm @ 75 psi (230-570 l/min @ 5 bar)

### 1.0" (25 mm) G-Force Flow and Pressure

F	Selectable 15/30/45/60/75 gpm @ 100 psi (60/110/170/230/285 l/min @ 7 bar)
G	Selectable 15/30/45/60/75 gpm @ 75 psi (60/110/170/230/285 l/min @ 5 bar)
N	Automatic 20-80 gpm @ 100 psi (75-300 l/min @ 7 bar)
P	Automatic 20-80 gpm @ 75 psi (75-300 l/min @ 5 bar)



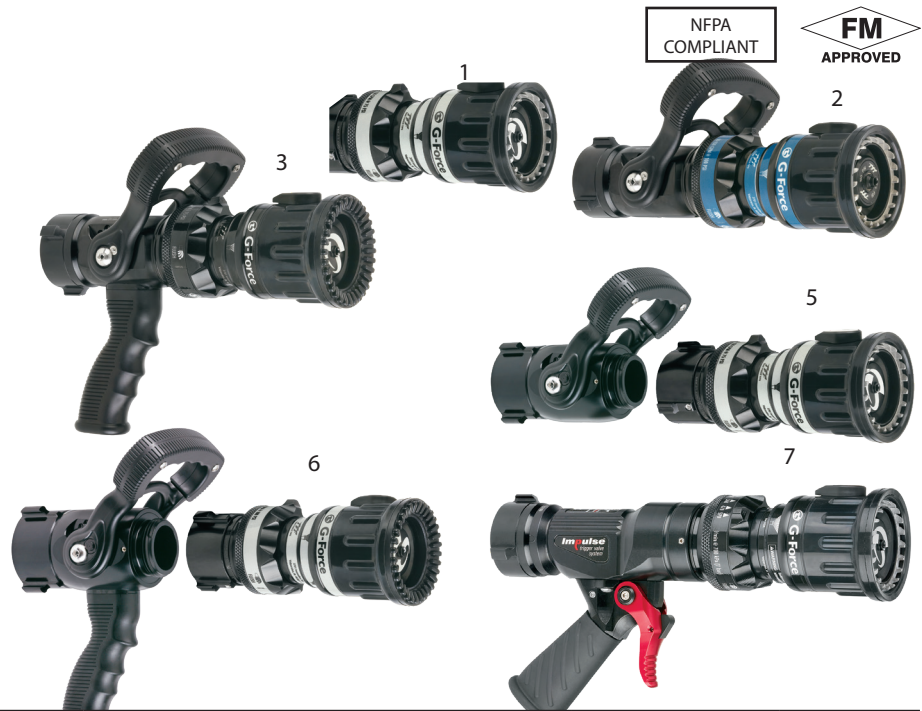
MODEL	INLET	STYLE	PRESSURE CONTROL	SHAPER CONTROL	FOG TEETH
<b>GD SERIES</b>					
<b>SELECTABLE</b>					
GDD3F1F	1.0" (25 mm) NH Female	Nozzle w/Slide Valve w/Pistol Grip	Selectable 15/30/45/60/75 gpm @ 100 psi (60/110/170/230/285 l/min @ 7 bar)	Fixed Tactile Indicator	Fixed Molded Rubber
GDD3F1S	1.0" (25 mm) NH Female	Nozzle w/Slide Valve w/Pistol Grip	Selectable 15/30/45/60/75 gpm @ 100 psi (60/110/170/230/285 l/min @ 7 bar)	Fixed Tactile Indicator	Spinning Metal
GDD3G1S	1.0" (25 mm) NH Female	Nozzle w/Slide Valve w/Pistol Grip	Selectable 15/30/45/60/75 gpm @ 75 psi (60/110/170/230/285 l/min @ 5 bar)	Fixed Tactile Indicator	Spinning Metal
GDD7F1S	1.0" (25 mm) NH Female	Impulse Nozzle with Trigger Flow Control	Selectable 15/30/45/60/75 gpm @ 100 psi (60/110/170/230/285 l/min @ 7 bar)	Fixed Tactile Indicator	Spinning Metal
<b>AUTOMATIC</b>					
GDD1N2F	1.0" (25 mm) NH Female	Tip-Only (No Shutoff Valve)	Automatic 20-80 gpm @ 100 psi (75-300 l/min @ 7 bar)	Tactile Indicator with Pattern Detent	Fixed Molded Rubber
<b>G SERIES</b>					
<b>FIXED</b>					
GF1A1F	1.5" (38 mm) NH Female	Tip-Only (No Shutoff Valve)	Fixed 150 gpm @ 100 psi (570 l/min @ 7 bar)	Fixed Tactile Indicator	Fixed Molded Rubber
GF3A1F	1.5" (38 mm) NH Female	Nozzle w/Slide Valve w/Pistol Grip	Fixed 150 gpm @ 100 psi (570 l/min @ 7 bar)	Fixed Tactile Indicator	Fixed Molded Rubber
GF3A1S	1.5" (38 mm) NH Female	Nozzle w/Slide Valve w/Pistol Grip	Fixed 150 gpm @ 100 psi (570 l/min @ 7 bar)	Fixed Tactile Indicator	Spinning Metal
GF3B1F	1.5" (38 mm) NH Female	Nozzle w/Slide Valve w/Pistol Grip	Fixed 150 gpm @ 75 psi (570 l/min @ 5 bar)	Fixed Tactile Indicator	Fixed Molded Rubber
GF3B1S	1.5" (38 mm) NH Female	Nozzle w/Slide Valve w/Pistol Grip	Fixed 150 gpm @ 75 psi (570 l/min @ 5 bar)	Fixed Tactile Indicator	Spinning Metal



# G-FORCE® DOMESTIC NOZZLES

## Style of Valve

- 1 G-Force 1.0" (25 mm) Tip-Only (No Shutoff Valve)
- 2 G-Force 1.0" and 1.5" (25 and 38 mm) One Piece Nozzle with Slide Valve (No Pistol Grip)
- 3 G-Force 1.0" and 1.5" (25 and 38 mm) One Piece Nozzle with Slide Valve and Pistol Grip
- 5 G-Force 1.0" and 1.5" (25 and 38 mm) Two Piece Nozzle with Tip-Only and Ball Valve Shutoff (No Pistol Grip)
- 6 G-Force 1.0" and 1.5" (25 and 38 mm) Two Piece Nozzle with Tip-Only and Ball Valve Shutoff with Pistol Grip
- 7 G-Force 1.0" and 1.5" (25 and 38 mm) Impulse Nozzle with Trigger Flow Control



MODEL	INLET	STYLE	PRESSURE CONTROL	SHAPER CONTROL	FOG TEETH
<b>G SERIES</b>					
<b>SELECTABLE</b>					
GF1C1F	1.5" (38 mm) NH Female	Tip-Only (No Shutoff Valve)	Selectable 30/60/95/125/150 gpm @ 100 psi (110/230/360/470/570 l/min @ 7 bar)	Fixed Tactile Indicator	Fixed Molded Rubber
GF1C1S	1.5" (38 mm) NH Female	Tip-Only (No Shutoff Valve)	Selectable 30/60/95/125/150 gpm @ 100 psi (110/230/360/470/570 l/min @ 7 bar)	Fixed Tactile Indicator	Spinning Metal
GF2C2S	1.5" (38 mm) NH Female	Nozzle w/Slide Valve (No Pistol Grip)	Selectable 30/60/95/125/150 gpm @ 100 psi (110/230/360/470/570 l/min @ 7 bar)	Tactile Indicator with Pattern Detent	Spinning Metal
GF3C1F	1.5" (38 mm) NH Female	Nozzle w/Slide Valve w/Pistol Grip	Selectable 30/60/95/125/150 gpm @ 100 psi (110/230/360/470/570 l/min @ 7 bar)	Fixed Tactile Indicator	Fixed Molded Rubber
GF3C1S	1.5" (38 mm) NH Female	Nozzle w/Slide Valve w/Pistol Grip	Selectable 30/60/95/125/150 gpm @ 100 psi (110/230/360/470/570 l/min @ 7 bar)	Fixed Tactile Indicator	Spinning Metal
GF3C2S	1.5" (38 mm) NH Female	Nozzle w/Slide Valve w/Pistol Grip	Selectable 30/60/95/125/150 gpm @ 100 psi (110/230/360/470/570 l/min @ 7 bar)	Tactile Indicator with Pattern Detent	Spinning Metal
GF3D1F	1.5" (38 mm) NH Female	Nozzle w/Slide Valve w/Pistol Grip	Selectable 30/60/95/125/150 gpm @ 75 psi (110/230/360/470/570 l/min @ 5 bar)	Fixed Tactile Indicator	Fixed Molded Rubber
GF3D1S	1.5" (38 mm) NH Female	Nozzle w/Slide Valve w/Pistol Grip	Selectable 30/60/95/125/150 gpm @ 75 psi (110/230/360/470/570 l/min @ 5 bar)	Fixed Tactile Indicator	Spinning Metal
GF3D2S	1.5" (38 mm) NH Female	Nozzle w/Slide Valve w/Pistol Grip	Selectable 30/60/95/125/150 gpm @ 75 psi (110/230/360/470/570 l/min @ 5 bar)	Tactile Indicator with Pattern Detent	Spinning Metal
<b>AUTOMATIC</b>					
GF1E1F	1.5" (38 mm) NH Female	Tip-Only (No Shutoff Valve)	Automatic 60-150 gpm @ 100 psi (230-570 l/min @ 7 bar)	Fixed Tactile Indicator	Fixed Molded Rubber
GF1F1S	1.5" (38 mm) NH Female	Tip-Only (No Shutoff Valve)	Automatic 60-150 gpm @ 75 psi (230-570 l/min @ 5 bar)	Fixed Tactile Indicator	Spinning Metal
GF2E1F	1.5" (38 mm) NH Female	Nozzle w/Slide Valve (No Pistol Grip)	Automatic 60-150 gpm @ 100 psi (230-570 l/min @ 7 bar)	Fixed Tactile Indicator	Fixed Molded Rubber
GF3E1F	1.5" (38 mm) NH Female	Nozzle w/Slide Valve w/Pistol Grip	Automatic 60-150 gpm @ 100 psi (230-570 l/min @ 7 bar)	Fixed Tactile Indicator	Fixed Molded Rubber
GF3E1S	1.5" (38 mm) NH Female	Nozzle w/Slide Valve w/Pistol Grip	Automatic 60-150 gpm @ 100 psi (230-570 l/min @ 7 bar)	Fixed Tactile Indicator	Spinning Metal
GF3E2F	1.5" (38 mm) NH Female	Nozzle w/Slide Valve w/Pistol Grip	Automatic 60-150 gpm @ 100 psi (230-570 l/min @ 7 bar)	Tactile Indicator with Pattern Detent	Fixed Molded Rubber
GF3E2S	1.5" (38 mm) NH Female	Nozzle w/Slide Valve w/Pistol Grip	Automatic 60-150 gpm @ 100 psi (230-570 l/min @ 7 bar)	Tactile Indicator with Pattern Detent	Spinning Metal
GF3F1F	1.5" (38 mm) NH Female	Nozzle w/Slide Valve w/Pistol Grip	Automatic 60-150 gpm @ 75 psi (230-570 l/min @ 5 bar)	Fixed Tactile Indicator	Fixed Molded Rubber
GF3F1S	1.5" (38 mm) NH Female	Nozzle w/Slide Valve w/Pistol Grip	Automatic 60-150 gpm @ 75 psi (230-570 l/min @ 5 bar)	Fixed Tactile Indicator	Spinning Metal
GF3F2F	1.5" (38 mm) NH Female	Nozzle w/Slide Valve w/Pistol Grip	Automatic 60-150 gpm @ 75 psi (230-570 l/min @ 5 bar)	Tactile Indicator with Pattern Detent	Fixed Molded Rubber
GF3F2S	1.5" (38 mm) NH Female	Nozzle w/Slide Valve w/Pistol Grip	Automatic 60-150 gpm @ 75 psi (230-570 l/min @ 5 bar)	Tactile Indicator with Pattern Detent	Spinning Metal

## Impulse™ Trigger Valve System

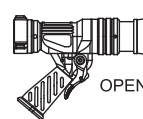
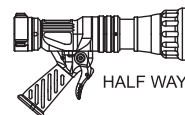
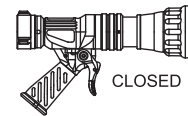
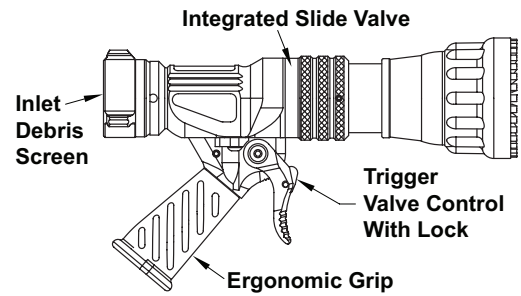
Task Force Tips has never been afraid to challenge the status quo of initial attack firefighting.

The revolutionary IMPULSE trigger valve system can now be integrated into many G-Force firefighting nozzles as an option.

The innovative integration of a trigger actuator with TFT's globally recognized slide style of valve, provides complete nozzle operator flow control with only a single hand, allowing the other hand to consistently control stream pattern selection. The trigger controller operates smoothly and easily throughout

the nozzle's rated flow and pressure range, and offers the ability to hold multiple valve positions at the operator's discretion. The unique ergonomic pistol grip complements the trigger valve design and greatly reduces operator fatigue.

- Ergonomic Pistol Grip w/available color coding
- Trigger Valve Controller with removable flow lock
- Integrated Slide Style Shut Off Valve
- Front Protective Bumper with Multiple Fog Tooth Designs





## G-FORCE® INTERNATIONAL NOZZLES

MODEL	INLET	STYLE	PRESSURE CONTROL	SHAPER CONTROL	FOG TEETH
<b>G SERIES</b>					
<b>SELECTABLE</b>					
GB3N2S	38 mm (1.5") BSP Female	Nozzle w/Slide Valve w/Pistol Grip	Selectable 110/230/360/470/570 l/min @ 7 bar	Tactile Indicator with Pattern Detent	Spinning Metal
GB3P2S	38 mm (1.5") BSP Female	Nozzle w/Slide Valve w/Pistol Grip	Selectable 110/230/360/470/570 l/min @ 5 bar	Tactile Indicator with Pattern Detent	Spinning Metal
GE3P2S	52 mm Storz	Nozzle w/Slide Valve w/Pistol Grip	Selectable 110/230/360/470/570 l/min @ 5 bar	Tactile Indicator with Pattern Detent	Spinning Metal
GH3N2S	65 mm (2.5") BIC Male	Nozzle w/Slide Valve w/Pistol Grip	Selectable 110/230/360/470/570 l/min @ 7 bar	Tactile Indicator with Pattern Detent	Spinning Metal
<b>AUTOMATIC</b>					
GB3U2F	38 mm (1.5") BSP Female	Nozzle w/Slide Valve w/Pistol Grip	Automatic 240-570 l/min @ 5 bar	Tactile Indicator with Pattern Detent	Fixed Molded Rubber
GD3G2S	2.0" BSP Male	Nozzle w/Slide Valve w/Pistol Grip	Automatic 60-150 gpm @ 100 psi	Tactile Indicator with Pattern Detent	Spinning Metal
GH3E2S	65 mm (2.5") BIC Male	Nozzle w/Slide Valve w/Pistol Grip	Automatic 230-570 l/min @ 7 bar (60-150 gpm @ 100 psi)	Tactile Indicator with Pattern Detent	Spinning Metal
<b>GD SERIES</b>					
<b>AUTOMATIC</b>					
GDB3N2F	25 mm (1.0") BSP Female	Nozzle w/Slide Valve w/Pistol Grip	Automatic 75-300 l/min @ 7 bar (20-80 gpm @ 75 psi)	Tactile Indicator with Pattern Detent	Fixed Molded Rubber
GDB7W2F	25 mm (1.0") BSP Female	Impulse Nozzle with Trigger Flow Control	Automatic with override 75-300 l/min @ 7 bar	Tactile Indicator with Pattern Detent	Fixed Cut Metal
<b>GP SERIES EN15182 CERTIFIED/PULSING</b>					
<b>SELECTABLE</b>					
GPA3C2M	25 mm (1.0") BSP Female	Nozzle w/Slide Valve w/Pistol Grip	Selectable EN 50/100/150 l/min @ 6 bar	Tactile Indicator with Pattern Detent	Fixed Cut Metal
GPA7C2S	25 mm (1.0") BSP Female	Impulse Nozzle with Trigger Flow Control	Selectable EN 50/100/150 l/min @ 6 bar	Tactile Indicator with Pattern Detent	Spinning Metal
GPB3B2S	38 mm (1.5") BSP Female	Nozzle w/Slide Valve w/Pistol Grip	Selectable EN 100/235/400 l/min @ 6 bar	Tactile Indicator with Pattern Detent	Spinning Metal
GPB3Y2M	38 mm (1.5") BSP Female	Nozzle w/Slide Valve w/Pistol Grip	Selectable EN 100/200/300/400/500 l/min @ 6 bar	Tactile Indicator with Pattern Detent	Fixed Cut Metal
GPE3Y2M	52 mm Storz	Nozzle w/Slide Valve w/Pistol Grip	Selectable EN 100/200/300/400/500 l/min @ 6 bar	Tactile Indicator with Pattern Detent	Fixed Cut Metal
<b>AUTOMATIC</b>					
GPB3D2M	38 mm (1.5") BSP Female	Nozzle w/Slide Valve w/Pistol Grip	Automatic EN 100-500 l/min @ 6 bar	Tactile Indicator with Pattern Detent	Fixed Cut Metal
GPB3F2M	38 mm (1.5") BSP Female	Nozzle w/Slide Valve w/Pistol Grip	Automatic EN / Pulsing 250/500 l/min @ 6 bar, Automatic Override	Tactile Indicator with Pattern Detent	Fixed Cut Metal
GPB3U2M	38 mm (1.5") BSP Female	Nozzle w/Slide Valve w/Pistol Grip	Automatic EN / Pulsing 500 l/min @ 6 bar, Automatic Override	Tactile Indicator with Pattern Detent	Fixed Cut Metal

## G-FORCE® INTERNATIONAL NOZZLES

MODEL	INLET	STYLE	PRESSURE CONTROL	SHAPER CONTROL	FOG TEETH
<b>GDP SERIES EN 15182-2 PN 16/PULSING</b>					
<b>SELECTABLE</b>					
GDPB3E2F	25 mm (1.0") BSP Female	Nozzle w/Slide Valve w/Pistol Grip	Selectable EN 40/100/150/235 l/min @ 6 bar	Tactile Indicator with Pattern Detent	Fixed Molded Rubber
GDPB3F2M	25 mm (1.0") BSP Female	Nozzle w/Slide Valve w/Pistol Grip	Selectable EN 100/235/400 l/min @ 6 bar	Tactile Indicator with Pattern Detent	Fixed Cut Metal
GDPC3F2F	38 mm (1.5") BSP Female	Nozzle w/Slide Valve w/Pistol Grip	Selectable EN 100/235/400 l/min @ 6 bar	Tactile Indicator with Pattern Detent	Fixed Molded Rubber
GDPC3F2S	38 mm (1.5") BSP Female	Nozzle w/Slide Valve w/Pistol Grip	Selectable EN 100/235/400 l/min @ 6 bar	Tactile Indicator with Pattern Detent	Spinning Metal
GDPG3E2M	50 mm (2.0") BSP Male	Nozzle w/Slide Valve w/Pistol Grip	Selectable EN 40/100/150/235 l/min @ 6 bar	Tactile Indicator with Pattern Detent	Fixed Cut Metal
GDPG3F2M	50 mm (2.0") BSP Male	Nozzle w/Slide Valve w/Pistol Grip	Selectable EN 100/235/400 l/min @ 6 bar	Tactile Indicator with Pattern Detent	Fixed Cut Metal
GDPG7E2M	50 mm (2.0") BSP Male	Impulse Nozzle with Trigger Flow Control	Selectable EN 40/100/150/235 l/min @ 6 bar	Tactile Indicator with Pattern Detent	Fixed Cut Metal
GDPV3E2S	Articulated 25 mm (1.0") BSP Female	Nozzle w/Slide Valve w/Pistol Grip	Selectable EN 40/100/150/235 l/min @ 6 bar	Tactile Indicator with Pattern Detent	Spinning Metal
GDPV3F2S	Articulated 38 mm (1.5") BSP Female	Nozzle w/Slide Valve w/Pistol Grip	Selectable EN 100/235/400 l/min @ 6 bar	Tactile Indicator with Pattern Detent	Spinning Metal
<b>AUTOMATIC</b>					
GDPC3N2S	38 mm (1.5") BSP Female	Nozzle w/Slide Valve w/Pistol Grip	Automatic EN 60-400 l/min @ 6 bar	Tactile Indicator with Pattern Detent	Spinning Metal
GDPC3U2F	38 mm (1.5") BSP Female	Nozzle w/Slide Valve w/Pistol Grip	Automatic EN / Pulsing 235/ 400 l/min @ 6 bar, Automatic Override	Tactile Indicator with Pattern Detent	Fixed Molded Rubber
GDPC3U2M	38 mm (1.5") BSP Female	Nozzle w/Slide Valve w/Pistol Grip	Automatic EN / Pulsing 235/ 400 l/min @ 6 bar, Automatic Override	Tactile Indicator with Pattern Detent	Fixed Cut Metal
GDPC7N2M	38 mm (1.5") BSP Female	Impulse Nozzle with Trigger Flow Control	Automatic EN 60-400 l/min @ 6 bar	Tactile Indicator with Pattern Detent	Fixed Cut Metal
GDPG3U2M	50 mm (2.0") BSP Male	Nozzle w/Slide Valve w/Pistol Grip	Automatic EN / Pulsing 235/ 400 l/min @ 6 bar, Automatic Override	Tactile Indicator with Pattern Detent	Fixed Cut Metal
GDPW3U2M	Articulated 50 mm (2.0") BSP Male	Nozzle w/Slide Valve w/Pistol Grip	Automatic EN / Pulsing 235/ 400 l/min @ 6 bar, Automatic Override	Tactile Indicator with Pattern Detent	Fixed Cut Metal
<b>GDP SERIES EN 15182-4 PN 40/PULSING HIGH PRESSURE</b>					
<b>SELECTABLE</b>					
GDPB3E2SH	25 mm (1.0") BSP Female	Nozzle w/Slide Valve w/Pistol Grip	Selectable EN 100/150/235 l/min @ 6 bar	Tactile Indicator with Pattern Detent	Spinning Metal
GDPB7E2MH	25 mm (1.0") BSP Female	Impulse Nozzle with Trigger Flow Control	Selectable EN 100/150/235 l/min @ 6 bar	Tactile Indicator with Pattern Detent	Fixed Cut Metal
<b>AUTOMATIC</b>					
GDPB3U2MH	25 mm (1.0") BSP Female	Nozzle w/Slide Valve w/Pistol Grip	Automatic EN / Pulsing 235/ 400 l/min @ 6bar, Automatic Override	Tactile Indicator with Pattern Detent	Fixed Cut Metal
GDPC3U2FH	38 mm (1.5") BSP Female	Nozzle w/Slide Valve w/Pistol Grip	Automatic EN / Pulsing 235/ 400 l/min @ 6bar, Automatic Override	Tactile Indicator with Pattern Detent	Fixed Molded Rubber

# G-FORCE® FOAM ATTACHMENTS

## FOAMJET™

Low and Multi-Expansion foam attachments are designed specifically to enhance foam application performance through the G-Force Series of fixed, selectable gallonage, and automatic nozzles.

Attachments are easily added or removed using a simple clamping mechanism that attaches to the nozzle's front bumper. Produced from lightweight polymers or rubber, both the low expansion and multi-expansion attachments are ideally suited for Class A and flammable liquid applications.

The multi-expansion attachment offers flexibility by allowing the user to independently achieve both increased reach and higher foam expansion ratios with the same tool in different stream settings. The low expansion attachment can be ideal for Class A and most Class B foam agents and allows for greater distance of reach for rapid fire knockdown from a safe distance.

G-Force Foam attachments are compatible with most Class A and Class B Foams



Multi-Expansion  
FJ-UMX-G  
FJ-MX-G



Low Expansion  
FJ-LX-U-G  
FJ-LX-G

	Low Expansion Long Tube	Multi-Expansion
25 mm G-Force	FJ-LX-U-G	FJ-UMX-G
38 mm G-Force	FJ-LX-G	FJ-MX-G





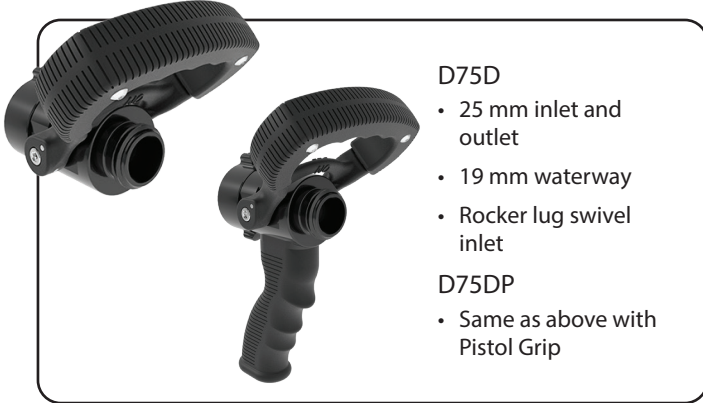
## BALL VALVE SERIES

### 25 mm and 38 mm

Task Force Tips Ball Valves are lightweight, rugged valves that are designed for reliability. The valves give tip only nozzles a positive shut-off, or can be used for break-and-extend operations

- Available in 25 mm and 38 mm
- Waterways sized for optimal flow

- Optional NFPA colored handles and pistol grips, including a folding pistol grip
- All lightweight materials, hardcoat anodized aluminum
- Stainless steel shut-off ball
- Quick change rear valve seat



- D75D**
- 25 mm inlet and outlet
  - 19 mm waterway
  - Rocker lug swivel inlet
- D75DP**
- Same as above with Pistol Grip



- F100F**
- 38 mm inlet and outlet
  - 25 mm waterway
  - Rocker lug swivel inlet
- F100FP**
- Same as above with Pistol Grip

MODEL	THREADS		INLET COUPLING	PISTOL GRIP	WATERWAY SIZE	LENGTH	WEIGHT
	INLET FEMALE	OUTLET MALE					
D75D	25 mm NH	25 mm NH	Rocker Lug Swivel	No	19 mm	9.5 cm	0.5 kg
D75DP	25 mm NH	25 mm NH	Rocker Lug Swivel	Yes	19 mm	9.5 cm	0.6 kg
F100F	38 mm NH	38 mm NH	Rocker Lug Swivel	No	25 mm	9.5 cm	0.7 kg
F100FP	38 mm NH	38 mm NH	Rocker Lug Swivel	Yes	25 mm	9.5 cm	0.8 kg

Color Bail Covers and Pistol Grips are available in NFPA colors. Folding Pistol Grip Kits with NFPA color inserts are available.

#### 25 mm & 38 mm BALL VALVE SERIES FOLDING PISTOL GRIP

MODEL	WHEN ORDERED WITH A NEW NOZZLE	LENGTH	WEIGHT
HM792-DKIT	D75DP- SERIES	21.6 cm	0.8 kg
HM792-FKIT	F100FP- SERIES	21.6 cm	0.8 kg

## BALL VALVE SERIES

### 38 mm

The Ball Valves are lightweight, rugged valves that are designed for reliability. The valves give tip only nozzles a positive shut-off, or can be used for break-and-extend operations.

- 38 mm inlet and outlet
- Rocker lug swivel inlet
- Waterways sized for optimal flow
- All lightweight materials, hardcoat anodized aluminum



#### F140F

- 35 mm waterway
- Quick change rear valve seat
- Stainless steel shut-off ball

#### F140FP

- Same as above with Pistol Grip



#### H-VO

- 35 mm waterway
- Six detent flow positions
- Polymer shut-off ball
- Accepts F140SBI smoothbore inserts found in the Handheld Nozzles section

#### H-VOI

- Same as above with Pistol Grip

MODEL	THREADS		INLET COUPLING	PISTOL GRIP	WATERWAY SIZE	LENGTH	WEIGHT
	INLET FEMALE	OUTLET MALE					
F140F	38 mm NH	38 mm NH	Rocker Lug Swivel	No	35 mm	10.2 cm	1.0 kg
F140FP	38 mm NH	38 mm NH	Rocker Lug Swivel	Yes	35 mm	10.2 cm	1.1 kg
H-VO & H-VOI includes six detent flow positions and accepts F140SBI smoothbore insert kits.							
H-VO	38 mm NH	38 mm NH	Rocker Lug Swivel	No	35 mm	13.3 cm	1.2 kg
H-VOI	38 mm NH	38 mm NH	Rocker Lug Swivel	Yes	35 mm	13.3 cm	1.3 kg

Color Bail Covers and Pistol Grips are available in NFPA colors. Folding Pistol Grip Kits with NFPA color inserts are available.

### 38 mm BALL VALVE SERIES FOLDING PISTOL GRIP

MODEL	WHEN ORDERED WITH A NEW NOZZLE	LENGTH	WEIGHT
HM792-JKIT	F140FP - SERIES	21.6 cm	0.8 kg
HM792-HKIT	H-VOI - SERIES	21.6 cm	0.8 kg

## BALL VALVE SERIES

### 65 mm

The Ball Valves are lightweight, rugged valves that are designed for reliability. The valves give tip only nozzles a positive shut-off, or can be used for break-and-extend operations.

- Available in 65 mm x 38 mm and 65 mm x 65 mm versions
- 35 mm waterway
- Optional NFPA colored handles and pistol grips, including a folding pistol grip
- All lightweight materials, hardcoat anodized aluminum
- Quick change rear valve seat
- Stainless steel shut-off ball



#### J140F

- 65 mm inlet x 38 mm outlet
- 35 mm waterway
- Rocker lug swivel inlet
- Quick change rear valve seat
- Stainless steel shut-off ball

#### J140FP

- Same as above with Pistol Grip



#### J140J

- 65 mm inlet and outlet
- 35 mm waterway
- Rocker lug swivel inlet
- Quick change rear valve seat
- Stainless steel shut-off ball

#### J140JP

- Same as above with Pistol Grip

MODEL	THREADS		INLET COUPLING	PISTOL GRIP	WATERWAY SIZE	LENGTH	WEIGHT
	INLET FEMALE	OUTLET MALE					
J140F	65 mm NH	38 mm NH	Rocker Lug Swivel	No	35 mm	12.7 cm	1.2 kg
J140FP	65 mm NH	38 mm NH	Rocker Lug Swivel	Yes	35 mm	12.7 cm	1.3 kg
J140J	65 mm NH	65 mm NH	Rocker Lug Swivel	No	35 mm	18.2 cm	1.5 kg
J140JP	65 mm NH	65 mm NH	Rocker Lug Swivel	Yes	35 mm	18.2 cm	1.7 kg

Color Bail Covers and Pistol Grips are available in NFPA colors. Folding Pistol Grip Kits with NFPA color inserts are available.

For more information refer to the Handline Nozzle section of the catalog.

#### 2.5" (65 mm) BALL VALVE SERIES FOLDING PISTOL GRIP

The full description of folding pistol grips can be found in the Folding Pistol Grip section.

MODEL	WHEN ORDERED WITH A NEW NOZZLE	LENGTH	WEIGHT
HM792-JKIT	J140FP and J140JP - SERIES	21.6 cm	0.8 kg



## BALL VALVE SERIES

### 65 mm

The Ball Valves are lightweight, rugged valves that are designed for reliability. The valves give tip only nozzles a positive shut-off, can be used for break-and-extend operations, or where ever a high flow ball valve is desired.

- Available in 65 mm versions
- Waterways sized for optimal flow
- Optional NFPA colored pistol grips, including a folding pistol grip
- All lightweight materials, hardcoat anodized aluminum
- Six detent flow positions
- Polymer shut-off ball



#### H-2VO

- 65 mm inlet and 38 mm outlet
- 35 mm waterway
- Rocker lug swivel inlet
- Six detent flow positions
- Polymer shut-off ball
- Accepts F140SBI smoothbore inserts found in the Handheld Nozzles section

#### H-2VOI

- Same as above with Pistol Grip



#### H-3VONJ-NJ

- 65 mm inlet and outlet
- 52 mm waterway
- Rocker lug swivel inlet
- Six detent flow positions
- Polymer shut-off ball
- Use as a monitor nozzle shut-off

#### H-3VOINJ-NJ

- Same as above with Pistol Grip

H-2VO and H-2VOI includes six detent flow positions and accepts F140SBI.

MODEL	THREADS		INLET COUPLING	PISTOL GRIP	WATERWAY SIZE	LENGTH	WEIGHT
	INLET FEMALE	OUTLET MALE					
H-2VO	65 mm NH	38 mm NH	Rocker Lug Swivel	No	35 mm	13.3 cm	1.2 kg
H-2VOI	65 mm NH	38 mm NH	Rocker Lug Swivel	Yes	35 mm	13.3 cm	1.3 kg
H-3VONJ-NJ and H-3VOINJ-NJ includes six detent flow positions.							
H-3VONJ-NJ	65 mm NH	65 mm NH	Rocker Lug Swivel	No	52 mm	18.2 cm	2.6 kg
H-3VOINJ-NJ	65 mm NH	65 mm NH	Rocker Lug Swivel	Yes	52 mm	18.2 cm	2.7 kg

Color Bail Covers and Pistol Grips are available in NFPA colors. Folding Pistol Grip Kits with NFPA color inserts are available.

For more information refer to the Handline Nozzle section of the catalog. Color Bail Covers not available on H-3VO Series Ball Valves.

#### 2.5" (65 mm) BALL VALVE SERIES FOLDING PISTOL GRIP

The full description of folding pistol grips can be found in the Folding Pistol Grip section.

MODEL	WHEN ORDERED WITH A NEW NOZZLE	LENGTH	WEIGHT
HM792-HKIT	H-2VOI and H-3VOINJ-NJ - SERIES	21.6 cm	0.8 kg

## SMOOTHBORE TIPS

### 25 mm and 38 mm



#### DSB

- Six smoothbore set black nylon
- Coupling hardcoat anodized aluminum with gasket
- Easily changeable tips



DSS5-ND



FSS Series

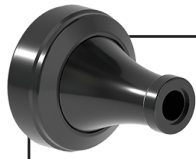
MODEL	INLET FEMALE	ORIFICE	LENGTH	WEIGHT
DSB	25 mm NH	3, 5, 6, 8, 10 & 11 mm	8.6 cm	00.2 kg
DSS5-ND	25 mm NH	13 mm	7.1 cm	0.1 kg
FSS5	38 mm NH	13 mm	10.2 cm	0.2 kg
FSS6	38 mm NH	16 mm	10.2 cm	0.3 kg
FSS7	38 mm NH	19 mm	12.7 cm	0.3 kg
FSS8	38 mm NH	22 mm	12.7 cm	0.3 kg
FSS12	38 mm NH	24 mm	12.7 cm	0.2 kg
FSS9	38 mm NH	25 mm	12.7 cm	0.3 kg
FSS3	38 mm NH	27 mm	12.7 cm	0.3 kg
FSS10	38 mm NH	29 mm	12.7 cm	0.3 kg)
FSS4	38 mm NH	30 mm	12.7 cm	0.3 kg)
FSS11	38 mm NH	32 mm	12.7 cm	0.3 kg
FSS15075	38 mm NH	150 Gpm @ 75 PSI	12.7 cm	0.3 kg

All smoothbore tips are made of lightweight materials and are hardcoat anodized aluminum. Flow charts in US and Metric units are laser engraved on most units.

## SMOOTHBORE TIPS

### 38 mm

All smoothbore tips are made of lightweight materials and are hardcoat anodized aluminum. Flow charts in US and Metric units are laser engraved on most units.



- FF151 through FF157
- With smooth inside taper
- 38 mm inlet thread is standard
- Only fits Vortex and Flip Tip



FSNYSTACK



FS-3STACK



FS-22STACK



FS-2STACK

MODEL	INLET FEMALE	ORIFICE	LENGTH	WEIGHT
FF151	38 mm NH	13 mm	7.6 cm	0.10 kg
FF152	38 mm NH	16 mm	7.6 cm	0.10 kg
FF157	38 mm NH	22 mm	7.6 cm	0.10 kg
FF153	38 mm NH	24 mm	7.0 cm	0.09 kg
FF154	38 mm NH	25 mm	6.4 cm	0.08 kg
FF155	38 mm NH	29 mm	6.4 cm	0.06 kg
FF156	38 mm NH	30 mm	6.4 cm	0.06 kg
FSNYSTACK	38 mm NH	24 mm and 13 mm	16.9 cm	0.4 kg
FS-2STACK	38 mm NH	29 mm - 25 mm	13.2 cm	0.4 kg
FS-22STACK	38 mm NH	32 mm - 29 mm	13.2 cm	0.4 kg
FS-3STACK	38 mm NH	32 mm, 29 mm and 25 mm	21.6 cm	0.6 kg

## FOLDING PISTOL GRIPS

This space-saving, folding pistol grip will take up less space and allow the TFT nozzle to fit into tight crosslays and hose beds. It deploys quickly and easily, locking in place automatically. When ready to stow, simply press the lock release button and fold it back. Pistol grip is machined from aluminum alloy and hardcoat anodized for durability and corrosion resistance.

MODEL	FOLDING PISTOL GRIP KIT	LENGTH	WEIGHT
HM792-KIT	Order this kit for an in-service nozzle.	21.6 cm	0.8 kg

NFPA color inserts are available.



HM792-KIT



EXTENDED

FOLDED



## DUAL GALLONAGE TWISTER™ NOZZLE SERIES 19 mm and 25 mm

The TWISTER series nozzles are selectable, dual gallonage, combination nozzles that are designed for simplicity and durability. The rubber bumper provides a positive grip and protects the front end. Twisting the shaper from the off position

produces the following settings: low flow straight stream, low flow narrow fog, high flow straight stream, and high flow fog. The rugged, economical nozzle also accepts the FJ-MX-D FoamJet multi-expansion foam aspirating attachment.



C1024  
D1024  
D1040

- Two flow settings at 7 bar
- All lightweight materials
- Hardcoat anodized aluminum
- Twist "off" position for positive shut-off



DS1040

With Pistol Grip  
DS1024P  
DS1040P

- Two flow settings at 7 bar
- All lightweight materials
- Hardcoat anodized aluminum
- Quick-change rear valve seat
- Stainless steel shut-off ball
- Twist "off" position for positive shut-off



D1024FSS  
D1024FSS-BD  
D1024FSS-ID

- Flow rate: 37 & 90 LPM
- Foam solution compatible
- Knurled inlet coupling
- No bumper

MODEL	INLET	FLOW SETTINGS	COUPLING	PISTOL GRIP	LENGTH	WEIGHT
C1024	19 mm GHT	37 and 90 l/min	Knurled Rigid Base	No	10.2 cm	0.3 kg
D1024	25 mm NH	37 and 90 l/min	Knurled Rigid Base	No	10.2 cm	0.3 kg
D1024-BD	25 mm BSP	37 and 90 l/min	Knurled Rigid Base	No	10.2 cm	0.3 kg
D1024-ID	25 mm NPSH	37 and 90 l/min	Knurled Rigid Base	No	10.2 cm	0.3 kg
D1040	25 mm NH	37 and 150 l/min	Knurled Rigid Base	No	10.2 cm	0.3 kg
D1040-BD	25 mm BSP	37 and 150 l/min	Knurled Rigid Base	No	10.2 cm	0.3 kg
D1040-ID	25 mm NPSH	37 and 150 l/min	Knurled Rigid Base	No	10.2 cm	0.3 kg
DS1040	25 mm NH	37 and 150 l/min	Rocker Lug Swivel	No	15.9 cm	0.7 kg
DS1024P	25 mm NH	37 and 90 l/min	Rocker Lug Swivel	Yes	15.9 cm	0.9 kg
DS1040P	25 mm NH	37 and 150 l/min	Rocker Lug Swivel	Yes	15.9 cm	0.9 kg
DS1040P52MM	52 mm Storz	37 and 150 l/min	Extended Storz Swivel	Yes	24.2 cm	1.2 kg
D1024FSS	25 mm NH	37 and 90 l/min	Knurled Rigid Base	No	9.5 cm	0.3 kg
D1024FSS-BD	25 mm BSP	37 and 90 l/min	Knurled Rigid Base	No	9.5 cm	0.3 kg
D1024FSS-ID	25 mm NPSH	37 and 90 l/min	Knurled Rigid Base	No	9.5 cm	0.3 kg

### TWISTER FOAM ATTACHMENTS

The full line of foam attachments can be found in the Foam Equipment section.



MODEL	FITS NOZZLE	FRONT END	DIAMETER	LENGTH	WEIGHT
FJ-MX-D	Twister 25 mm	Polyethylene	13.0 cm	26.9 cm	0.6 kg

### TWISTER D- SERIES FOLDING PISTOL GRIP

The full description of folding pistol grips can be found in the Folding Pistol Grip section.

MODEL	WHEN ORDERED WITH A NEW NOZZLE	LENGTH	WEIGHT
HM792-DKIT	TWISTER - SERIES	21.6 cm	0.8 kg

## DUAL GALLONAGE TWISTER™ NOZZLE SERIES 38 mm

The TWISTER series nozzles are selectable, single or dual gallonage, combination nozzles that are designed for simplicity and durability. The rubber bumper provides a positive grip and protects the front end. The rugged, economical nozzle also accepts the FJ-MX-F FoamJet multi-expansion foam aspirating attachment.



F2060 Dual Flow  
F2095 Dual Flow

- Two flow settings at 7 bar
- F95 has single flow setting
- All lightweight materials
- Hardcoat anodized aluminum
- Twist "off" position for positive shut-off



FS2060 Dual Flow  
FS2095 Dual Flow

With Pistol Grip  
FS2095P Dual Flow

- Two flow settings at 7 bar
- FS95 and FS95P have a single flow setting
- All lightweight materials
- Hardcoat anodized aluminum
- Quick-change rear valve seat
- Stainless steel shut-off ball
- Twist "off" position for positive shut-off

DUAL FLOW	INLET	FLOW SETTINGS	COUPLING	PISTOL GRIP	LENGTH	WEIGHT
F2060	38 mm NH	75 and 230 l/min	Knurled Rigid Base	No	13.3 cm	0.5 kg
F2095	38 mm NH	75 and 360 l/min	Knurled Rigid Base	No	13.3 cm	0.5 kg
FS2060	38 mm NH	75 and 230 l/min	Rocker Lug Swivel	No	18.7 cm	1.1 kg
FS2095	38 mm NH	75 and 360 l/min	Rocker Lug Swivel	No	18.7 cm	1.1 kg
FS2095P	38 mm NH	75 and 360 l/min	Rocker Lug Swivel	Yes	18.7 cm	1.2 kg



### TWISTER FOAM ATTACHMENTS

The full line of foam attachments can be found in the Foam Equipment section.

MODEL	FITS NOZZLE	FRONT END	DIAMETER	LENGTH	WEIGHT
FJ-MX-F	Twister 38 mm	Polypropylene	18.8 cm	32.0 cm	1.0 kg

### TWISTER F- SERIES FOLDING PISTOL GRIP

The full description of folding pistol grips can be found in the Folding Pistol Grip section.

MODEL	WHEN ORDERED WITH A NEW NOZZLE	LENGTH	WEIGHT
HM792-FKIT	TWISTER - SERIES	21.6 cm	0.8 kg

**DUAL GALLONAGE FOAM  
BUBBLE CUP® FOAM NOZZLE SERIES 25 mm**

The Bubble Cup, 25 mm series, is a unique combination nozzle capable of producing aspirated foam, straight stream and a wide fog pattern. When the outer sleeve is in the retracted position, the nozzle operates as a standard dual gallonage straight

stream/combination nozzle. To use the aspirating feature of the nozzle, the nozzle operator slides the outer sleeve forward, and by adjusting the pattern, has control of reach and aspiration.



DS1040BC      With Pistol Grip  
DS1024BCP  
DS1040BCP

- Two flow settings at 7 bar
- Stainless steel shut-off ball
- Quick-change rear valve seat
- Twist "off" position for positive shut-off

MODEL	INLET	FLOW SETTINGS @ 100 PSI (7 BAR)	COUPLING	PISTOL GRIP	LENGTH	WEIGHT
DS1040BC	25 mm NH	37 and 150 l/min	Rocker Lug Swivel	No	16.2 - 21.3 cm	0.8 kg
DS1024BCP	25 mm NH	37 and 90 l/min	Rocker Lug Swivel	Yes	16.2 - 21.3 cm	0.9 kg
DS1040BCP	25 mm NH	37 and 150 l/min	Rocker Lug Swivel	Yes	16.2 - 21.3 cm	0.9 kg

**BUBBLE CUP D- SERIES FOLDING PISTOL GRIP**

The full description of folding pistol grips can be found in the Folding Pistol Grip section.

MODEL	WHEN ORDERED WITH A NEW NOZZLE	LENGTH	WEIGHT
HM792-DKIT	Bubble Cup D- SERIES	21.6 cm	0.8 kg

**DUAL GALLONAGE FOAM  
BUBBLE CUP® FOAM NOZZLE SERIES 38 mm**

The Bubble Cup 38 mm series is a unique combination nozzle capable of producing aspirated foam, straight stream and a wide fog pattern. When the outer sleeve is in the retracted position, the nozzle operates as a standard single or dual gallonage straight stream/combination nozzle. To use the aspirating feature of the nozzle, the nozzle operator slides the outer sleeve forward, and by adjusting the pattern, has control of reach and aspiration.

- All lightweight materials
- Hardcoat anodized for corrosion protection
- Stainless steel shut-off ball (except tip-only models)



With Pistol Grip  
 FS2060BCP Dual Flow  
 FS2095BCP Dual Flow  
 FS95BCP Single Flow

- Two flow settings at 7 bar
- FS95BCP has single flow setting
- Quick-change rear valve seat
- Twist "off" position for positive shut-off

DUAL FLOW	INLET	FLOW SETTINGS @ 100 PSI (7 BAR)	COUPLING	PISTOL GRIP	LENGTH	WEIGHT
FS95BCP	38 mm NH	360 l/min	Rocker Lug Swivel	Yes	18.4 - 24.8 cm	1.5 kg
FS2060BCP	38 mm NH	75 and 230 l/min	Rocker Lug Swivel	Yes	18.4 - 24.8 cm	1.5 kg
FS2095BCP	38 mm NH	75 and 360 l/min	Rocker Lug Swivel	Yes	18.4 - 24.8 cm	1.5 kg

**BUBBLE CUP F- SERIES FOLDING PISTOL GRIP**

The full description of folding pistol grips can be found in the Folding Pistol Grip section.

MODEL	WHEN ORDERED WITH A NEW NOZZLE	LENGTH	WEIGHT
HM792-FKIT	Bubble Cup F- SERIES	21.6 cm	0.8 kg



## SELECTABLE GALLONAGE QUADRAFOG® DQ40 NOZZLE SERIES 1" (25 mm)

The QuadraFog DQ40 is selectable gallonage nozzle series for use on 25 mm hose lines. Available as tip only, or with bail type shut-off handle.

- All lightweight materials
- Hardcoat anodized aluminum
- Flush without shutting down
- Metal cut fog teeth or spinning teeth
- Accepts FJ-DQ low expansion or the FJ-MX-DQ multi-expansion foam attachments



- DQ40-ID**
- 25 mm Knurled rigid thread inlet
  - Has an "OFF" position for break and extend operations



- With Pistol Grip DQS40P**
- 25 mm Rocker lug swivel inlet
  - Stainless steel shut-off ball
  - Quick-change rear valve seat

DQ40 SERIES  
5-10-24-40 Gpm (20-40-90-150 L/min)

MODEL	INLET	FLOW SETTINGS	COUPLING	BALL VALVE	PISTOL GRIP	FOG TEETH	LENGTH	WEIGHT	EN CERTIFICATION
DQ40-ID	25 mm NPSH	20-40-90-150 l/min @ 7 bar	Knurled Rigid Base	No	No	Fixed Cut Metal	13 cm	0.5 kg	
DQS40P	25 mm NH	20-40-90-150 l/min @ 7 bar	Rocker Lug Swivel	Yes	Yes	Fixed Cut Metal	18.4 cm	1.0 kg	
QF150	25 mm BSPF	20-40-100-150 l/min @ 6 bar	Extended Knurled Swivel	Yes	Yes	Fixed Cut Metal	23.3 cm	1.2 kg	15182-2 Type 3



**QUADRAFOG FOAM ATTACHMENTS**  
The full line of foam attachments can be found in the Foam Equipment section.

MODEL	FITS NOZZLE	FRONT END	DIAMETER	LENGTH	WEIGHT
FJ-DQ	QuadraFog 1" (25 mm)	Flexible Rubber	9.1 cm	16.5 cm	0.5 kg
FJ-MX-DQ	QuadraFog 1" (25 mm)	Polypropylene	18.8 cm	32.0 cm	1.0 kg

**QUADRAFOG D- SERIES FOLDING PISTOL GRIP**  
The full description of folding pistol grips can be found in the Folding Pistol Grip section.

MODEL	WHEN ORDERED WITH A NEW NOZZLE	LENGTH	WEIGHT
HM792-DKIT	QuadraFog D- SERIES	21.6 cm	0.8 kg

## SELECTABLE GALLONAGE QUADRAFOG® DQ60 NOZZLE SERIES 25 mm

The Quadrafog DQ60 is a selectable gallonage nozzle series that is similar to the DQ40 version but with an additional higher flow setting. The QuadraFog DQ60 is selectable gallonage nozzle series for use on 1.0" (25 mm) hose lines. Available as tip only, or with bail type shut-off handle.

- All lightweight materials
- Hardcoat anodized aluminum
- Flush without shutting down
- Metal cut fog teeth or spinning teeth
- Accepts FJ-DQ low expansion or the FJ-MX-DQ multi-expansion foam attachments
- Metric models may vary from units shown. See chart below.



With Pistol Grip  
DQS60P  
DQS-EKFP-BD

- 25 mm Rocker lug swivel inlet
- Stainless steel shut-off ball
- Quick-change rear valve seat

### DQ60 SERIES

5-10-24-40-60 Gpm (20-40-90-150-230 L/min)

MODEL	INLET	FLOW SETTINGS	COUPLING	BALL VALVE	PISTOL GRIP	FOG TEETH	LENGTH	WEIGHT	EN CERTIFICATION
DQS60P	25 mm NH	20-40-90-150-230 l/min @ 7 bar	Rocker Lug Swivel	Yes	Yes	Fixed Cut Metal	18.4 cm	1.0 kg	
DQS-EKFP-BD	25 mm BSPF	20-40-100-150-230 l/min @ 7 bar	Extended Knurled Swivel	Yes	Yes	Fixed Cut Metal	23.3 cm	1.2 kg	
QF235-BH	52 mm BSPM	20-40-100-150-235 l/min @ 6 bar	Extended Male Swivel	Yes	Yes	Fixed Cut Metal	23.3 cm	1.2 kg	15182-2 Type 3
QF235-HP	25 mm BSPF	20-40-100-150-235 l/min @ 6 bar	Extended Knurled Swivel	Yes	Yes	Fixed Cut Metal	23.3 cm	1.2 kg	15182-4 Type 3



### QUADRAFOG FOAM ATTACHMENTS

The full line of foam attachments can be found in the Foam Equipment section.

MODEL	FITS NOZZLE	FRONT END	DIAMETER	LENGTH	WEIGHT
FJ-DQ	QuadraFog 1" (25 mm)	Flexible Rubber	9.1 cm	16.5 cm	0.5 kg
FJ-MX-DQ	QuadraFog 1" (25 mm)	Polypropylene	18.8 cm	32.0 cm	1.0 kg

### QUADRAFOG D- SERIES FOLDING PISTOL GRIP

The full description of folding pistol grips can be found in the Folding Pistol Grip section.

MODEL	WHEN ORDERED WITH A NEW NOZZLE	LENGTH	WEIGHT
HM792-DKIT	QuadraFog D- SERIES	21.6 cm	0.8 kg

## SELECTABLE GALLONAGE QUADRAFOG® NOZZLE SERIES 38 mm



An excellent selectable gallonage nozzle for any 38mm hose line. The QUADRAFOG is an economical and lightweight combination nozzle suitable for use with low-expansion or multi-expansion foam attachments. 25 mm versions range are 20-150 l/min or 20-230 l/min. The 38 mm version has a range of 110-470 l/min, and is available in high(7 bar) or low-pressure (5 bar) versions with either a molded rubber bumper or stainless steel spinning fog teeth.

- All lightweight materials
- Hardcoat anodized aluminum
- Flush without shutting down
- Metal cut or stainless steel spinning fog teeth



- Rocker lug swivel inlet
- Stainless steel shut-off ball valve
- Quick change rear valve seat

MODEL	INLET	FLOW SETTINGS	COUPLING	BALL VALVE	PISTOL GRIP	FOG TEETH	LENGTH	WEIGHT
FQS125S	1.5" NH (38 mm)	30-60-95-125 GPM @ 100 PSI	Rocker Lug Swivel	Yes	No	Stainless Steel Spinning	21.3 cm	1.5 kg
FQS125PF	1.5" NH (38 mm)	30-60-95-125 GPM @ 100 PSI	Rocker Lug Swivel	Yes	Yes	Fixed Cut Metal	21.3 cm	1.6 kg
FQS125PS	1.5" NH (38 mm)	30-60-95-125 GPM @ 100 PSI	Rocker Lug Swivel	Yes	Yes	Stainless Steel Spinning	21.3 cm	1.6 kg



### QUADRAFOG FOAM ATTACHMENTS

The full line of foam attachments can be found in the Foam Equipment section.

MODEL	FITS NOZZLE	FRONT END	DIAMETER	LENGTH	WEIGHT
FJ-LX-FQ	QuadraFog 1.5" (38 mm)	Polypropylene	14.6 cm	51.3 cm	1.4 kg
FJ-MX-FQ	QuadraFog 1.5" (38 mm)	Polypropylene	18.8 cm	38.6 cm	1.5 kg

### QUADRAFOG F- SERIES FOLDING PISTOL GRIP

The full description of folding pistol grips can be found in the Folding Pistol Grip section.

MODEL	WHEN ORDERED WITH A NEW NOZZLE	LENGTH	WEIGHT
HM792-FKIT	QuadraFog F- SERIES	21.6 cm	0.8 kg



## SELECTABLE GALLONAGE QUADRAFOG® NOZZLE SERIES METRIC

The QuadraFog is a selectable gallonage nozzle series for use on 38 mm and 52 mm hose lines. Available with bail type shut-off handle and pistol grip.

- All lightweight materials
- Hardcoat anodized aluminum
- Flush without shutting down
- Metal cut or stainless steel spinning fog teeth



With Pistol Grip  
FQS-EUPS-BF  
QF400 (not shown)  
QF500

- Swivel inlet
- Stainless steel shut-off ball valve

MODEL	INLET	FLOW SETTINGS	COUPLING	BALL VALVE	PISTOL GRIP	FOG TEETH	LENGTH	WEIGHT	EN CERTIFICATION
FQS125PS-BR	52 MM STORZ	30-60-95-125 GPM @ 100 PSI	Swivel Storz	Yes	Yes	Stainless Steel Spinning	24.3 cm	2.0 kg	
FQS-EUPS-BF	38 m BSPF	110-230-360-470 l/min @ 7 bar	Rocker Lug Swivel	Yes	Yes	Stainless Steel Spinning	21.3 cm	1.6 kg	
FQS-EUPS-BIC	65 mm BICM	110-230-360-470 l/min @ 7 bar	Male BIC Swivel	Yes	Yes	Stainless Steel Spinning	21.3 cm	2.13 kg	
QF400	52 mm BSPM	70-130-230-400 l/min @ 6 bar	Male Thread Swivel	Yes	Yes	Fixed Cut Metal	24.3 cm	1.7 kg	15182-2 Type 3
QF500	38 mm BSPF	100-250-350-500 l/min @ 6 bar	Extended Knurled Swivel	Yes	Yes	Fixed Cut Metal	24.3 cm	1.7 kg	15182-2 Type 3



### QUADRAFOG FOAM ATTACHMENTS

The full line of foam attachments can be found in the Foam Equipment section.

MODEL	FITS NOZZLE	FRONT END	DIAMETER	LENGTH	WEIGHT
FJ-LX-FQ	QuadraFog 38 mm	Polyethylene	14.6 cm	51.3 cm	1.4 kg
FJ-MX-FQ	QuadraFog 38 mm	Polypropylene	18.8 cm	38.6 cm	1.5 kg

### QUADRAFOG F- SERIES FOLDING PISTOL GRIP

The full description of folding pistol grips can be found in the Folding Pistol Grip section.

MODEL	WHEN ORDERED WITH A NEW NOZZLE	LENGTH	WEIGHT
HM792-FKIT	QuadraFog F- SERIES	21.6 cm	0.8 kg

**AUTOMATIC**  
**ULTIMATIC™ 125 NOZZLE SERIES 25 mm**

The TFT ULTIMATIC 125 has an unprecedented flow range of 40-500 l/min @ 7 bar or 140-400 l/min @ 5 bar. The Ultimatic 125 series is an outstanding performer for 25 mm as well as 38 mm hose.

This nozzle performs well for high pressure applications, on 19 mm, 25 mm and 32 mm hose, up to 55 bar.

- All lightweight materials
- Hardcoat anodized aluminum
- Flush without shutting down
- Molded rubber bumper with "power fog" teeth
- "Gasket Grabber" inlet screen
- Accepts FJ-U low expansion or FJ-UMX multi-expansion foam attachment



- With Pistol Grip  
 B-BGH  
 B-BGH-BD  
 BL-BGH
- 25 mm NH full-time swivel knurled coupling
  - Stainless steel slide valve

MODEL	INLET	FLOW RANGE	PISTOL GRIP	FOG TEETH	LENGTH	WEIGHT
B-BGH	25 mm NH	40-500 l/min @ 7 bar	Yes	Fixed Rubber	22.9 cm	1.2 kg
B-BGH-BD	25 mm NH	40-500 l/min @ 7 bar	Yes	Fixed Rubber	22.9 cm	1.2 kg
BL-BGH	25 mm NH	40-400 l/min @ 5 bar	Yes	Fixed Rubber	22.9 cm	1.2 kg

**ULTIMATIC FOAM ATTACHMENTS**

The full line of foam attachments can be found in the Foam Equipment section.



MODEL	FITS NOZZLE	FRONT END	DIAMETER	LENGTH	WEIGHT
FJ-U	Ultimatic	Flexible Rubber	9.1 cm	16.5 cm	0.5 kg
FJ-UMX	Ultimatic	Polypropylene	18.8 cm	38.7 cm	1.5 kg

**ULTIMATIC SERIES FOLDING PISTOL GRIP**

The full description of folding pistol grips can be found in the Folding Pistol Grip section.

MODEL	WHEN ORDERED WITH A NEW NOZZLE	LENGTH	WEIGHT
HM792-UKIT	ULTIMATIC SERIES	21.6 cm	0.8 kg

**AUTOMATIC**  
**ULTIMATIC™ 125 NOZZLE SERIES 38 mm**

The TFT ULTIMATIC 125 has an unprecedented flow range of 40-500 l/min @ 7 bar or 40-400 l/min @ 5 bar. The Ultimatic series is an outstanding performer for 1.5" (38 mm) hose.

This nozzle performs well for high pressure applications, on 19 mm, 25 mm and 32 mm hose, up to 55 bar.

- All lightweight materials
- Hardcoat anodized aluminum
- Flush without shutting down
- Molded rubber bumper with "power fog" teeth
- "Gasket Grabber" inlet screen
- Accepts FJ-U low expansion or FJ-UMX multi-expansion foam attachment



With Pistol Grip  
 BGH-125

- 38 mm NH full-time swivel rocker lug coupling
- Stainless steel slide valve

MODEL	INLET	FLOW RANGE	PISTOL GRIP	FOG TEETH	LENGTH	WEIGHT
BGH-125	38 mm NH	40-500 l/min @ 7 bar	Yes	Fixed Rubber	6.7 cm	1.4 kg

**ULTIMATIC FOAM ATTACHMENTS**

The full line of foam attachments can be found in the Foam Equipment section.



MODEL	FITS NOZZLE	FRONT END	DIAMETER	LENGTH	WEIGHT
FJ-U	Ultimatic	Flexible Rubber	9.1 cm	16.5 cm	0.5 kg
FJ-UMX	Ultimatic	Polypropylene	18.8 cm	38.7 cm	1.5 kg

**ULTIMATIC SERIES FOLDING PISTOL GRIP**

The full description of folding pistol grips can be found in the Folding Pistol Grip section.

MODEL	WHEN ORDERED WITH A NEW NOZZLE	LENGTH	WEIGHT
HM792-UKIT	ULTIMATIC SERIES	21.6 cm	0.8 kg



## AUTOMATIC ULTIMATIC™ METRIC NOZZLE SERIES

The TFT ULTIMATIC has an unprecedented flow range of 40-500 l/min @ 7 bar or 40-400 l/min @ 5 bar. The Ultimatic series is an outstanding performer for 25, 38, and 52 mm hose.

This nozzle performs well for high pressure applications, up to 55 bar.

- All lightweight materials
- Hardcoat anodized aluminum
- Flush without shutting down
- Molded rubber bumper with "power fog" teeth
- "Gasket Grabber" inlet screen
- Accepts FJ-U low expansion or FJ-UMX multi-expansion foam attachment



With Pistol Grip	BP20-057	BP20-104	• Stainless steel slide valve
	BP20-058	BP20-122	



**AUTOMATIC**  
**ULTIMATIC™ METRIC NOZZLE SERIES**

MODEL	INLET	FLOW RANGE	PISTOL GRIP	FOG TEETH	LENGTH	WEIGHT	EN CERTIFICATION
BP20-057	25 mm BSPF	50-220 l/min @ 5 bar flashover	Yes	Fixed Rubber	23.0 cm	1.2 kg	15182-4 Type 4
BP20-058	38 mm BSPF	150-500 l/min @ 7 bar flashover	Yes	Fixed Rubber	26.4 cm	1.4 kg	15182-2 Type 4
BP20-092	38 mm BSPF	150-400 l/min @ 6 bar flashover	Yes	Fixed Rubber	25.4 cm	1.4 kg	15182-2 Type 4
BP20-094	38 mm NPSH	150-400 l/min @ 5 bar w/ spray stop	Yes	Fixed Rubber	26.4 cm	1.4 kg	15182-2 Type 4
BP20-104	52 mm BSPM	150-400 l/min @ 5 bar w/flow stop	Yes	Fixed Rubber	31.2 cm	1.7 kg	15182-2 Type 4
BP20-110	52 mm BSPM	150-400 l/min @ 6 bar flashover	Yes	Fixed Rubber	25.4 cm	1.4 kg	15182-2 Type 4
BP20-122	38 mm BSPF	150-400 l/min @ 5 bar w/flow stop	Yes	Fixed Rubber	31.2 cm	1.7 kg	15182-2 Type 4
BP20-130	38 mm BSPF	150-400 l/min @ 3.5 bar flashover	Yes	Fixed Rubber	26.4 cm	1.4 kg	
BP20-131	38 mm BSPP	150-400 l/min @ 3.5 bar flashover w/flow stop	Yes	Fixed Rubber	31.2 cm	1.4 kg	15182-2 Type 4

**ULTIMATIC FOAM ATTACHMENTS**

The full line of foam attachments can be found in the Foam Equipment section.



MODEL	FITS NOZZLE	FRONT END	DIAMETER	LENGTH	WEIGHT
FJ-U	Ultimatic	Flexible Rubber	9.1 cm	16.5 cm	0.5 kg
FJ-UMX	Ultimatic	Polypropylene	18.8 cm	38.7 cm	1.5 kg

**ULTIMATIC SERIES FOLDING PISTOL GRIP**

The full description of folding pistol grips can be found in the Folding Pistol Grip section.

MODEL	WHEN ORDERED WITH A NEW NOZZLE	LENGTH	WEIGHT
HM792-UKIT	ULTIMATIC SERIES	21.6 cm	0.8 kg

## AUTOMATIC HANDLINE™ NOZZLE SERIES 38 mm

With a wide flow range of 360-1150 l/min @ 7 bar or the low pressure version 360-950 l/min @ 5 bar the Handline series is an excellent choice for 38 mm, 45 mm, and 52 mm attack lines.

- Lightweight hardcoat anodized aluminum
- Flush without shutting down
- Molded rubber bumper with "power fog" teeth
- "Gasket Grabber" inlet screen
- Accepts FJ-H low expansion or FJ-HMX multi-expansion foam attachment



H-TO  
HL-TO

- 38 mm Rigid rocker lug inlet
- Tip does not shut-off and must be used with a separate valve



H-V With Pistol Grip  
HL-V H-VPGI

- 38 mm full-time swivel rocker lug coupling
- Stainless Steel slide valve with detent flow control
- Pistol grip mounted below the valve

MODEL	INLET	OPERATING PRESSURE	PISTOL GRIP	FOG TEETH	LENGTH	WEIGHT
H-TO	38 mm NH	7 bar	No	Fixed Rubber	24.8 cm	2.0 kg
H-V	38 mm NH	7 bar	No	Fixed Rubber	33.0 cm	3.1 kg
H-VPGI	38 mm NH	7 bar	Yes	Fixed Rubber	33.0 cm	3.2 kg



### HANDLINE FOAM ATTACHMENTS

The full line of foam attachments can be found in the Foam Equipment section.

MODEL	FITS NOZZLE	FRONT END	DIAMETER	LENGTH	WEIGHT
FJ-H	Handline	Flexible Rubber	13.2 cm	21.6 cm	1.2 kg
FJ-HMX	Handline	Polyethylene	21.8 cm	39.7 cm	1.4 kg

### HANDLINE SERIES FOLDING PISTOL GRIP

The full description of folding pistol grips can be found in the Folding Pistol Grip section.

MODEL	WHEN ORDERED WITH A NEW NOZZLE	LENGTH	WEIGHT
HM792-HKIT	HANDLINE - SERIES	21.6 cm	0.8 kg

## AUTOMATIC HANDLINE™ NOZZLE SERIES 65 mm

With a wide flow range of 360-1150 l/min @ 7 bar or the low pressure version 360-950 l/min @ 5 bar allows the Handline to be used on many hose sizes, and this series is an excellent choice for 65 mm and 75 mm attack lines.

- Lightweight hardcoat anodized aluminum
- Flush without shutting down
- Molded rubber bumper with "power fog" teeth
- "Gasket Grabber" inlet screen
- Accepts FJ-H low expansion or FJ-HMX multi-expansion foam attachment



With Pistol Grip  
H-2VPGI  
HL-2VPGI

- 65 mm full-time swivel rocker lug coupling
- Stainless Steel slide valve with detent flow control
- Pistol grip mounted below the valve

MODEL	INLET	OPERATING PRESSURE	PISTOL GRIP	FOG TEETH	LENGTH	WEIGHT
H-2VPGI	65 mm NH	7 bar	Yes	Fixed Rubber	34.3 cm	3.2 kg
HL-2VPGI	65 mm NH	5 bar	Yes	Fixed Rubber	34.3 cm	3.2 kg
H-2VPGI-BICJ	65 mm BICM	7 bar	Yes	Fixed Rubber	42.0 cm	3.2 kg
HP-BLITZ-2.5	65 mm BSPF	190-1350 l/min @ 7 bar	No	Fixed Rubber	38.6 cm	4.3 kg



### HANDLINE FOAM ATTACHMENTS

The full line of foam attachments can be found in the Foam Equipment section.

MODEL	FITS NOZZLE	FRONT END	DIAMETER	LENGTH	WEIGHT
FJ-H	Handline	Flexible Rubber	13.2 cm	21.6 cm	1.2 kg
FJ-HMX	Handline	Polyethylene	21.8 cm	39.7 cm	1.4 kg

### HANDLINE SERIES FOLDING PISTOL GRIP

The full description of folding pistol grips can be found in the Folding Pistol Grip section.

MODEL	WHEN ORDERED WITH A NEW NOZZLE	LENGTH	WEIGHT
HM792-HKIT	HANDLINE - SERIES	21.6 cm	0.8 kg



## FLIP TIP® NOZZLES



### Flip Tip® Tip-Only

The Tip-Only Model is an ideal choice for an addition to any ball valve shut off. Integrating your choice of two smoothbore combinations, the Flip Tip quickly and positively allows the initial attack team a choice of flows as well as outstanding stream performance.

- Lightweight and Compact Design
- Tips Easily Removed for Line Extension
- Multiple Smoothbore Choices Both Front and Rear

### Flip Tip® with Integrated Ball Shutoff

Integrated with a high volume ball shutoff, the combination Flip Tip provides a single nozzle that offers a choice of hard hitting straight streams. The detent style ball shutoff allows positive operator control and the rugged durability of polymer handles and pistol grip.

- Optional Color Coded Pistol Grip and Valve Handle Covers at No Additional Charge
- High Volume Detent Valve for Maximum Performance
- Compact Integrated Design

### Flip Tip® with Integrated Ball Shutoff and G-Force Nozzle

Integrated with a high volume ball shutoff and your choice of G-Force combination nozzle, the Flip Tip provides a single nozzle that offers both a hard hitting smoothbore and high performance combination nozzle. The detent style ball shutoff allows positive operator control, choice of 7 bar or low pressure 5 bar, and fixed molded rubber, spinning metal, or fixed cut metal fog teeth.

- Choice of Fixed, Selectable, or Automatic Tip
- Integrated Combination Nozzle and Smoothbore Base
- Choice of Operational Pressures and Fog Tooth Designs
- Optional Color Coded Pistol Grip and Valve Handle Covers at No Additional Charge

## FLIP TIP® Performance Features

### Front Tip Orifice Choice

Flip Tip's front component accepts one of 7 different orifice choices. Providing flows from 200 up to 1100 l/min, the tip can be easily removed allowing hose to be connected and extended. All tips have knurled swiveling couplings and a unique tapered waterway for maximum stream quality.



### Rear Tip Orifice Choice

The rear component of the Flip Tip is available in 6 different orifice sizes and provides water flows starting at 570 l/min. All uniquely tapered tip inserts are designed to offer high performance water or compressed air foam streams, and are held securely in place during rugged initial attack operations.



### Stream Straightener

To provide maximum stream performance, all 38 mm Flip Tip Models integrate a lightweight stream straightener directly into the rear coupling system.

For high rise operation, where debris can be an issue, or to maximize compressed air foam stream performance, the insert can be easily removed.



Our standard 65 mm Flip Tip models utilize an optimized waterway in place of this stream straightener. A special rear coupling system is available if a removable stream straightener is preferred.

### Pivot Lock Mechanism

The Flip Tip can be quickly and securely changed from small tip to large tip during firefighting operations using a positive twist lock mechanism that prevents unintentional movement. The locking ring is easily rotated with a wet or foamy gloved hand.



## FLIP TIP® NOZZLES Domestic and International Features



MODEL	INLET	STYLE	REAR TIP	FRONT TIP
<b>FTTF SERIES SMOOTH BORE x SMOOTH BORE</b>				
FTTF331	38 mm NH Female	Nozzle w/Slide Valve w/Pistol Grip	22 mm	13 mm
FTTF332	38 mm NH Female	Nozzle w/Slide Valve w/Pistol Grip	22 mm	16 mm
FTTF341	38 mm NH Female	Nozzle w/Slide Valve w/Pistol Grip	24 mm	13 mm

## FLIP TIP® NOZZLES DOMESTIC

MODEL	INLET	STYLE	REAR TIP	PRESSURE CONTROL	SHAPER CONTROL	FOG TEETH
<b>FTGF SERIES SMOOTH BORE x G-FORCE</b>						
<b>SELECTABLE</b>						
FTGF33C1S	38 mm NH Female	Ball Valve w/Pistol Grip	22 mm	Selectable 110/230/360/470/570 l/min @ 7 bar	Fixed Tactile Indicator	Spinning Metal
FTGF33D1S	38 mm NH Female	Ball Valve w/Pistol Grip	22 mm	Selectable 110/230/360/470/570 l/min @ 5 bar	Fixed Tactile Indicator	Spinning Metal
<b>AUTOMATIC</b>						
FTGF23F1F	38 mm NH Female	Ball Valve	22 mm	Automatic 570 l/min @ 5 bar	Fixed Tactile Indicator	Fixed Molded Rubber
FTGF34E2F	38 mm NH Female	Ball Valve w/Pistol Grip	24 mm	Automatic 570 l/min @ 7 bar	Tactile Indicator with Pattern Detent	Fixed Molded Rubber
FTGF34F1F	38 mm NH Female	Ball Valve w/Pistol Grip	24 mm	Automatic 570 l/min @ 5 bar	Fixed Tactile Indicator	Fixed Molded Rubber

## TRANSFORMER™ EV NOZZLE SYSTEM

The EV (Electric Vehicle) kit is designed to make applying water to the underside of an electric vehicle easy for your crew. Each kit includes four .5 m extension tubes and a distributor (cellar) nozzle with a wide, fully filled pattern that allows water to map across the battery compartment for effective cooling.

Reaching an overall length of more than 2.2 meters when fully assembled, the added extension tubes allow your crew to put space between themselves and the fire.

- 3 port junction block
- Distributor nozzle
- Four .5 meter extension tubes
- Twist-grip shutoff valve
- Heavy-duty carrying bag with compartments



PA3-EV	Inlet
Includes: 3-port junction block with striking cap, distributor nozzle (also known as a Bresnan or cellar nozzle), 4 - .5 meter extension tubes, Twist-grip shutoff valve, Heavy-duty carrying bag with compartments	38 mm NH Female





## PIERCING NOZZLE TRANSFORMER™ PA1

The Transformer PA1 Piercing Nozzle System is designed to deliver water or foam solutions to areas inaccessible to the fire fighter. A series of jets near the point apply a wide reaching pattern at a rated flow of 570 l/min @ 7 bar.

The PA1 system includes a unique twist-grip shutoff valve, a 3 port junction block with striking head, 2 extension tubes, and the flow tube with piercing point. The easy to use and rugged, twist-grip shutoff valve, regulates nozzle flow without the need for an additional shutoff valve.



PA1 SYSTEM



The 3 port junction block and striking head allow the nozzle to be configured to short, medium, long and L shaped combinations, making it easily adaptable to specific fireground situations.

The PA1 system features a hardened steel piercing point, all extension tubes and valve are constructed of hardcoated extruded aluminum, and a sturdy nylon carrying bag with compartments for each component is included.

<b>PA1</b>	Inlet
Includes: 2 - 19" (48 cm) Extension Tubes, 1 - 14" (36 cm) Flow Tube with Piercing Point, Twist-Grip Shutoff Valve, 3 Port Junction Block with Striking Head, and Nylon Carry Bag	38 mm NH Female
<b>PA1-52MM</b>	Inlet
Includes: 2 - 19" (48 cm) Extension Tubes, 1 - 14" (36 cm) Flow Tube with Piercing Point, Twist-Grip Shutoff Valve, 3 Port Junction Block with Striking Head, and Nylon Carry Bag	52 mm (2.0") Storz
<b>PA1-CSF</b>	Inlet
Includes: 2 - 19" (48 cm) Extension Tubes, 1 - 14" (36 cm) Flow Tube with Piercing Point, Twist-Grip Shutoff Valve, 3 Port Junction Block with Striking Head, and Nylon Carry Bag	65 mm (2.5") Chinese Snap Fit Inlet



## PIERCING NOZZLE TRANSFORMER™ PA2

The Transformer PA2 Piercing Nozzle System is designed to deliver water or foam solutions to areas inaccessible to the fire fighter. A series of jets near the point apply a wide reaching pattern at a rated flow of 570 l/min @ 7 bar.

The PA2 system includes a distribution nozzle rated at 570 l/min, that provides a wide fully filled pattern, and an adapter allowing the distributor nozzle to be used on any 38 mm NH threaded hoseline.

Also included is a unique twist-grip shutoff valve, a 3 port junction block with striking head, pistol grip, 2 extension tubes, and the flow tube with piercing point. The easy to use and

rugged, twist-grip shutoff valve, regulates nozzle flow without the need for an additional shutoff valve.

The 3 port junction block and striking head allow the nozzle to be configured to short, medium, long and L shaped combinations, making it easily adaptable to specific fireground situations.

The PA2 system features a hardened steel piercing point, an aluminum and stainless distribution nozzle, all extension tubes, pistol grip and valve are constructed of hardcoated extruded aluminum, and a sturdy nylon carrying bag with compartments for each component is included.



PA2 SYSTEM

PA2	Inlet
Includes: 2 - 19" (48 cm) Extension Tubes, 1 - 14" (36 cm) Flow Tube with Piercing Point, Twist-Grip Shutoff Valve, Pistol Grip, 3 Port Junction Block with Striking Head, Distribution Nozzle, Adapter, and Nylon Carry Bag	1.5" (38 mm) NH Female







# PORTABLE MONITORS & WATER CANNONS

You have more attack monitor choices now than ever before. It might be overwhelming trying to match monitor models to your ideal target flows, attack angles, safety needs, and fireground crew availability.

As the leader in portable monitors and water cannons, we offer you unsurpassed safety and performance with thousands of devices in service on virtually every continent. This section aims to answer your most common questions so you can make the best decisions for your operation.





## Blitzfire®

With Blitzfire your attack monitor operations will set the standard for excellence amongst departments worldwide. You can choose from various options that include oscillation and high elevation. Your fireground safety is critical so, your monitor will include an integrated shutoff valve that, when activated, minimizes the effect of water hammer. With a 10° low elevation and 86° high elevation range of motion you have the flexibility to reach basements, attics, and everything in-between with confidence.



## Blitztac™

This compact portable monitor turns one firefighter with one hose into an aggressive 2000 L/min first responding force. Once set, your monitor can be manually regulated or used in an unattended manner for exposure protection or full flow attack. The patent pending integrated safety inlet protects your crew from unintended monitor movement. It's also fully certified to NFPA 1964 and EN15767-1.





## Blitzforce™

When you need an affordable, compact, and trustworthy monitor, the Blitzforce is might be your best choice. With a 2000 L/min capability and lightweight stowable form factor, you'll easily accomplish your flow targets while taking up minimal space in your truck compartments. At this price point your Blitzforce monitor will not include advanced options like a safety shutoff or high elevation capability.



## Crossfire®

Your lightweight and incredibly versatile master stream attack monitor option. Crossfire can be connected to either a portable base or directly to your truck.

With a flow rating of 4500 L/min in portable operation, the Crossfire monitor integrates an exclusive Safe-Tak safety shutoff system to prevent unintentional movement and keep your crew safe.



# Model Comparison

Model	Flow Rate	Attack Angle	Horizontal Movement	Oscillation	Safety
Blitzforce	Up to 2000 L/min	30° - 60° Unassisted 20° - 60° Assisted	40° Sweep	NO	Spikes & Strap
Blitzforce OSC	Up to 2000 L/min	30° - 60° Unassisted 20° - 60° Assisted	40° Sweep	YES	Spikes & Strap
Blitztac	Up to 2000 L/min	25° - 50° Unassisted 10° - 50° Assisted	40° Sweep	NO	Spikes, Strap, & Safety Gating Inlet
Blitzfire	Up to 2000 L/min	10° - 46° Unassisted	40° Sweep	NO	Spikes, Strap, & Safety Shut-Off Valve
Blitzfire OSC	Up to 2000 L/min	10° - 46° Unassisted	40° Sweep	YES	Spikes, Strap, & Safety Shut-Off Valve
Blitzfire HE	Up to 2000 L/min	10° - 86° Unassisted	40° Sweep	NO	Spikes, Strap, & Safety Shut-Off Valve
Blitzfire HE & OSC	Up to 2000 L/min	10° - 86° Unassisted	40° Sweep	YES	Spikes, Strap, & Safety Shut-Off Valve
Crossfire	Up to 4750 L/min	35° - 90° Portable -45° - 90° Fixed	Portable ~180° Fixed 360°	YES	Spikes, Strap, Safe-Tak Base & Valve System

# Model Comparison

Model	Weight & Stowed Dimensions (L × W × H)	Nozzle Options	Available Accessories
Blitzforce	Folded Legs 6.8 kg — 375 mm × 230 mm × 240 mm	Stacked Tips, Vortex, Combination (Fixed or Automatic)	Foam Attachments, Storage Brackets
Blitzforce OSC	Folded Legs 6.8 kg — 375 mm × 230 mm × 240 mm	Stacked Tips, Vortex, Combination (Fixed or Automatic)	Stream Straightener, Foam Attachments, Storage Brackets
Blitztac	Folded Legs 6.8 kg — 375 mm × 230 mm × 240 mm	Stacked Tips, Vortex, Combination (Fixed or Automatic)	Foam Attachments, Storage Brackets
Blitzfire	Folded Legs 6.8 kg — 375 mm × 230 mm × 240 mm	Stacked Tips, Vortex, Combination (Fixed or Automatic)	Foam Attachments, Storage Brackets
Blitzfire OSC	Folded Legs 6.8 kg — 375 mm × 230 mm × 240 mm	Stacked Tips, Vortex, Combination (Fixed or Automatic)	Foam Attachments, Storage Brackets
Blitzfire HE	Folded Legs 6.8 kg — 375 mm × 230 mm × 240 mm	Stacked Tips, Vortex, Combination (Fixed or Automatic)	Stream Straightener, Foam Attachments, Storage Brackets
Blitzfire HE & OSC	Folded Legs 6.8 kg — 375 mm × 230 mm × 240 mm	Stacked Tips, Vortex, Combination (Fixed or Automatic)	Foam Attachments, Storage Brackets
Crossfire	MTR : 6.7 kg — 508 mm × 368 mm × 355 mm Safe-Tak: 10.9 kg — 508 mm × 368 mm × 355 mm Safe-Tak	Stacked Tips, Vortex, Combination (Fixed or Automatic)	Foam Attachments, Storage Brackets, Extend-A-Gun, Single and Dual Inlet Safe-Tak Base

## Portable Monitor with Safety Shut-off Valve BLITZFIRE®

TFTs' BLITZFIRE is a simple, light, and highly maneuverable attack monitor. The low elevation angle makes it suitable for use indoors. If the BLITZFIRE starts to slide or lift, the SAFETY Shut-off VALVE automatically shuts off the flow of water. The shut-off action slows near stroke end to reduce the effects of water hammer. To reset the flow, simply open the valve to any of six detent flow positions with the turbulence-free

slide valve. The discharge pivots make directing the stream extremely quick and effortless. Outlet has built-in stream shaper. A unique up/down pivot on the hose inlet allows the monitor to have stability even on porches and stair landings. Folding legs have replaceable carbide tipped spikes. An anchor strap is included for safe operation.



■ XX111A  
■ XX132A  
10.0 kg  
74.9 x 20.6 x 21.6 cm stowed

- Flows up to 2000 l/min
- Body is hardcoat anodized aluminum
- Blue TFT powder coat finish inside and out
- Six detent flow positions with a turbulence free slide valve
- Elevation is manually adjustable between 10° and 46° above horizontal
- Horizontal rotation is manually adjustable 20° either side of center
- Outlet has built-in stream shaper
- Standard inlet is 65 mm swivel rocker lug coupling. Standard outlet is 65 mm rigid male threads



XX-B  
1.50 kg

- Stainless steel and hardcoat aluminum
- Can be mounted for rapid deployment of a pre-connected BLITZFIRE.
- Mounts on any accessible vertical or horizontal surface.
- 50.8 x 21.6 x 5.1 cm

MODEL	DESCRIPTION
XX111A	65 mm NHF INLET x 65 mm NHM OUTLET
XX132A	65 mm BSPF INLET x 65 mm BSPM OUTLET

[BLITZFIRE Portable Monitor Nozzles, Foam Attachments, Accessories and Packages on the next pages.](#)

## BLITZFIRE® Packages

BLITZFIRE PACKAGE MODEL	BLITZFIRE MONITOR	NOZZLE 1	ACCESSORY
		NOZZLE 2	
XXC-32-NH1	XX111A BLITZFIRE MONITOR 65 mm NHF X 65 mm NHM	MD12A MAX-FORCE TIP 65 mmNHF	XX-B STORAGE BRACKET - BLITZFIRE
		MST-3NJ 3 STACKED TIPS - 65 mm NHF	
XXC-42-NH1	XX111A BLITZFIRE MONITOR 65 mm NHF X 65 mm NHM	MD12A MAX-FORCE TIP 65 mm NHF	XX-B STORAGE BRACKET - BLITZFIRE
		MST-3NJ 3 STACKED TIPS - 65 mm NHF	
XXC-52-NH1	XX111A BLITZFIRE MONITOR 65 mm NHF X 65 mm NHM	MD12A MAX-FORCE TIP 65 mm NHF	XX-B STORAGE BRACKET - BLITZFIRE
		MST-3NJ 3 STACKED TIPS - 65 mm NHF	

## Frequently Purchased BLITZFIRE Portable Monitor Nozzles, Foam Attachments and Accessories

### MASTER STREAM NOZZLES FOR PORTABLE MONITORS

The full line of Master Stream Nozzles can be found in the Master Stream Nozzles Manual section.



MODEL	TYPE	INLET	COUPLING	FLOW	LENGTH	WEIGHT
MD12A	Max-Force Dual Pressure	65 mm NH	Rigid Rocker Lug	400-2000 l/min 7 bar /4 bar	22.9 cm	3.0 kg
MD18A	Max-Matic Automatic	65 mm NH	Rigid Rocker Lug	400-2000 l/min 7 bar	22.9 cm	2.9 kg
MD17A	Max-Matic Automatic	65 mm NH	Rigid Rocker Lug	400-2000 l/min 6 bar	22.9 cm	2.9 kg
MD14A	Max-Flow Fixed Gallonage	65 mm NH	Rigid Rocker Lug	2000 l/min 7 bar	22.9 cm	2.9 kg
MD22A	Max-Force Dual Pressure	65 mm BSP	Rigid Rocker Lug	400-2000 l/min 7 bar/4 bar	22.9 cm	3.0 kg



### PORTABLE MONITOR FOAM ATTACHMENT

The full line of foam attachments can be found in the Foam Equipment section.

MODEL	FITS NOZZLE	LENGTH	WEIGHT
FJ-MX-MD	Max-Series and ZN Series Industrial Nozzles	41.1 cm	2.1 kg

### VORTEX FOR PORTABLE MONITORS

The full line of Vortex can be found in the Master Stream Nozzles Manual section.



MODEL	INLET	OUTLET	OPERATING SYSTEM	MAXIMUM PRESSURE	FLOW	LENGTH	WEIGHT
SVJ-NJNJ	65 mm NH	65 mm NH	MANUAL	21 bar	up to 4500 l/min	21.3 cm	2.5 kg

### SMOOTHBORE TIPS FOR PORTABLE MONITORS

The full line of Smoothbore Tips can be found in the Master Stream Nozzles Manual section.



MODEL	INLET FEMALE	ORIFICE	LENGTH	WEIGHT
JSST10	65 mm NH	29 mm bore to 38 mm threaded male outlet	15.0 cm	0.8 kg
JSST11	65 mm NH	32 mm bore to 38 mm threaded male outlet	15.0 cm	0.8 kg
JSSTP-NF	38 mm NH	Smoothbore thread protector	2.2 cm	0.1 kg
MST-2NJ	65 mm NH	32 mm, 29 mm, and 25 mm	24.5 cm	1.0 kg
MST-3NJ	65 mm NH	38, 32 and 25 mm	30.0 cm	1.0 kg
MST-3BJ-M	65 mm BSP	38 mm, 32 mm, and 25 mm Metric flow & pressure	30.0 cm	1.0 kg
MST-5NJ	65 mm NH	45 mm, 38 mm, and 35 mm	29.7 cm	1.4 kg



## Oscillating Portable Monitor with Safety Shut-off Valve BLITZFIRE® Oscillating

TFTs' BLITZFIRE is a simple, light, and highly maneuverable attack monitor. The low elevation angle makes it suitable for use indoors. If the BLITZFIRE starts to slide or lift, the SAFETY Shut-off VALVE automatically shuts off the flow of water. The shut-off action slows near stroke end to reduce the effects of water hammer. To reset the flow, simply open the valve to any of six detent flow positions with the turbulence-free slide valve.

The discharge pivots make directing the stream extremely quick and effortless. A unique up/down pivot on the hose inlet allows the monitor to have stability even on porches and stair landings. Folding legs have replaceable carbide tipped spikes. An anchor strap is included for safe operation. Oscillating feature will sweep nozzle 20°, 30° or 40° side to side. Manual override allows manual horizontal movement and easy re-engagement of automatic oscillation.



20°, 30°, or 40° total sweep



- XX211A
  - XX232A
  - XX241A
- 14.10 kg  
88.4 x 26.7 x 24.4 cm stowed

- Flows up to 2000 l/min
- Nozzle automatically sweeps 10°, 15°, or 20° either side of center
- Oscillation can be disengaged for manual horizontal movement
- Body is hardcoat anodized aluminum
- Blue TFT powder coat finish inside and out
- Six detent flow positions with a turbulence free slide valve
- Elevation is manually adjustable between 10° and 46° above horizontal
- Standard inlet is 65 mm swivel rocker lug coupling. Standard outlet is 65 mm rigid male threads

To add the oscillating feature to an existing BLITZFIRE, contact TFT's Service Department.

MODEL	DESCRIPTION
XX211A	65 mm NHF INLET x 65 mm NHM OUTLET
XX232A	65 mm BSPF INLET x 65 mm BSPM OUTLET
XX241A	65 mm BICM INLET x 65 mm NHM OUTLET



XX-B  
1.50 kg

- Stainless steel and hardcoat aluminum
- Can be mounted for rapid deployment of a pre-connected BLITZFIRE.
- Mounts on any accessible vertical or horizontal surface.
- 50.8 x 21.6 x 5.1 cm

### BLITZFIRE® OSC Packages

BLITZFIRE OSC PACKAGE MODEL	BLITZFIRE OSC MONITOR	NOZZLE 1	ACCESSORY 1
		NOZZLE 2	ACCESSORY 2
XXC-33-BJ1	XX232A BLITZFIRE OSC 65 mm BSPF X 65 mm BSPM	MD22A MAX-FORCE TIP 65 mm BSPF	XX-B STORAGE BRACKET - BLITZFIRE
XXC-33-NH1	XX211A BLITZFIRE OSC 65 mm NHF X 65 mm NHM	MD12A MAX-FORCE TIP 65 mm NHF	XX-B STORAGE BRACKET - BLITZFIRE
XXC-53-NH1	XX211A BLITZFIRE OSC 65 mm NHF X 65 mm NHM	MD12A MAX-FORCE TIP 65 mm NHF	XF-SS5 STREAM STRAIGHTENER 125mm 65 mm NH THREADS
		MST-3NJ 3 STACKED TIPS - 65 mm NHF	XX-B STORAGE BRACKET - BLITZFIRE

## Frequently Purchased BLITZFIRE Portable Monitor Nozzles, Foam Attachments and Accessories



### MASTER STREAM NOZZLES FOR PORTABLE MONITORS

The full line of Master Stream Nozzles can be found in the Master Stream Nozzles Manual section.

MODEL	TYPE	INLET	COUPLING	FLOW	LENGTH	WEIGHT
MD12A	Max-Force Dual Pressure	65 mm NH	Rigid Rocker Lug	400-2000 l/min 7 bar / 4 bar	22.9 cm	3.0 kg
MD18A	Max-Matic Automatic	65 mm NH	Rigid Rocker Lug	400-2000 l/min 7 bar	22.9 cm	2.9 kg
MD17A	Max-Matic Automatic	65 mm NH	Rigid Rocker Lug	400-2000 l/min 6 bar	22.9 cm	2.9 kg
MD14A	Max-Flow Fixed Gallonage	65 mm NH	Rigid Rocker Lug	2000 l/min 7 bar	22.9 cm	2.9 kg
MD22A	Max-Force Dual Pressure	65 mm BSP	Rigid Rocker Lug	400-2000 l/min 7 bar/4 bar	22.9 cm	3.0 kg



### PORTABLE MONITOR FOAM ATTACHMENT

The full line of foam attachments can be found in the Foam Equipment section.

MODEL	FITS NOZZLE	LENGTH	WEIGHT
FJ-MX-MD	Max-Series and ZN Series Industrial Nozzles	41.1 cm	2.1 kg



### VORTEX FOR PORTABLE MONITORS

The full line of Vortex can be found in the Master Stream Nozzles Manual section.

MODEL	INLET	OUTLET	OPERATING SYSTEM	MAXIMUM PRESSURE	FLOW	LENGTH	WEIGHT
SVJ-NJNJ	65 mm NH	65 mm NH	MANUAL	21 bar	up to 4500 l/min	21.3 cm	2.5 kg



### SMOOTHBORE TIPS FOR PORTABLE MONITORS

The full line of Smoothbore Tips can be found in the Master Stream Nozzles Manual section.

MODEL	INLET FEMALE	ORIFICE	LENGTH	WEIGHT
JSST10	65 mm NH	29 mm bore to 38 mm threaded male outlet	15.0 cm	0.8 kg
JSST11	65 mm NH	32 mm bore to 38 mm threaded male outlet	15.0 cm	0.8 kg
JSSTP-NF	38 mm NH	Smoothbore thread protector	2.2 cm	0.1 kg
MST-2NJ	65 mm NH	32 mm, 29 mm, and 25 mm	24.5 cm	1.0 kg
MST-3NJ	65 mm NH	38, 32 and 25 mm	30.0 cm	1.0 kg
MST-3BJ-M	65 mm BSP	38 mm, 32 mm, and 25 mm Metric flow & pressure	30.0 cm	1.0 kg
MST-5NJ	65 mm NH	45 mm, 38 mm, and 35 mm	29.7 cm	1.4 kg



### STREAM STRAIGHTENERS FOR PORTABLE MONITORS

The full line of Stream Straighteners can be found in the Master Stream Nozzles Manual section.

MODEL	RIGID FEMALE INLET	RIGID MALE OUTLET	LENGTH	WEIGHT
XF-SS5	65 mm NH	65 mm NH	125 mm	0.80 kg

## High Elevation Portable Monitor with Safety Shut-off Valve BLITZFIRE® High Elevation

TFTs' BLITZFIRE is a simple, light, and highly maneuverable attack monitor. The low elevation angle makes it suitable for use indoors. If the BLITZFIRE starts to slide or lift, the SAFETY Shut-off VALVE automatically shuts off the flow of water. The shut-off action slows near stroke end to reduce the effects of water hammer. To reset the flow, simply open the valve to any of six detent flow positions with the turbulence-free slide valve.

The discharge pivots make directing the stream extremely quick and effortless. Outlet has built-in stream shaper. A unique up/down pivot on the hose inlet allows the monitor to have stability even on porches and stair landings. Folding legs have replaceable carbide tipped spikes. An anchor strap is included for safe operation. Increased elevation range provides tactical advantage of stream placement.



Adjustable between 10° and 86° above horizontal

- XX111A-HE
  - XX132A-HE
  - XX161A-HE
- 12.20 kg  
81.3 x 20.6 x 21.6 cm stowed

- Flows up to 2000 l/min
- Elevation is manually adjustable between 10° and 86° above horizontal
- Body is hardcoat anodized aluminum
- Blue TFT powder coat finish inside and out
- Six detent flow positions with a turbulence free slide valve
- Horizontal rotation is manually adjustable 20° either side of center
- Outlet has built-in stream shaper
- Standard inlet is 65 mm swivel rocker lug coupling. Standard outlet is 65 mm rigid male threads

MODEL	DESCRIPTION
XX111A-HE	65 mm NHF INLET x 65 mm NHM OUTLET
XX132A-HE	65 mm BSPF INLET x 65 mm BSPM OUTLET
XX161A-HE	75 mm Storz INLET x 65 mm NHM OUTLET



XX-B  
1.50 kg

- Stainless steel and hardcoat aluminum
- Can be mounted for rapid deployment of a pre-connected BLITZFIRE.
- Mounts on any accessible vertical or horizontal surface.
- 50.8 x 21.6 x 5.1 cm

### BLITZFIRE® HE Packages

BLITZFIRE HE PACKAGE MODEL	BLITZFIRE HE MONITOR	NOZZLE 1	ACCESSORY
		NOZZLE 2	
XXC-32-HENH1	XX111A-HE BLITZFIRE MONITOR 65 mm NHF X 65 mm NHM	MD12A MAX-FORCE TIP 65 mm NHF	XX-B STORAGE BRACKET - BLITZFIRE
XXC-52-HENH1	XX111A-HE BLITZFIRE MONITOR 65 mm NHF X 65 mm NHM	MD12A MAX-FORCE TIP 65 mm FEMALE	XX-B STORAGE BRACKET - BLITZFIRE
		MST-3NJ 3 STACKED TIPS - 65 mm FEMALE INLET	

## Frequently Purchased BLITZFIRE Portable Monitor Nozzles, Foam Attachments and Accessories



### MASTER STREAM NOZZLES FOR PORTABLE MONITORS

The full line of Master Stream Nozzles can be found in the Master Stream Nozzles Manual section.

MODEL	TYPE	INLET	COUPLING	FLOW	LENGTH	WEIGHT
MD12A	Max-Force Dual Pressure	65 mm NH	Rigid Rocker Lug	400-2000 l/min 7 bar/ 4 bar	22.9 cm	3.0 kg
MD18A	Max-Matic Automatic	65 mm NH	Rigid Rocker Lug	400-2000 l/min 7 bar	22.9 cm	2.9 kg
MD17A	Max-Matic Automatic	65 mm NH	Rigid Rocker Lug	400-2000 l/min 6 bar	22.9 cm	2.9 kg
MD14A	Max-Flow Fixed Gallonage	65 mm NH	Rigid Rocker Lug	2000 l/min 7 bar	22.9 cm	2.9 kg
MD22A	Max-Force Dual Pressure	65 mmBSP	Rigid Rocker Lug	400-2000 l/min 7 bar/4 bar	22.9 cm	3.0 kg



### PORTABLE MONITOR FOAM ATTACHMENT

The full line of foam attachments can be found in the Foam Equipment section.

MODEL	FITS NOZZLE	LENGTH	WEIGHT
FJ-MX-MD	Max-Series and ZN Series Industrial Nozzles	41.1 cm	2.1 kg



### VORTEX FOR PORTABLE MONITORS

The full line of Vortex can be found in the Master Stream Nozzles Manual section.

MODEL	INLET	OUTLET	OPERATING SYSTEM	MAXIMUM PRESSURE	FLOW	LENGTH	WEIGHT
SVJ-NJNJ	65 mm NH	65 mm NH	MANUAL	21 bar	up to 4500 l/min	21.3 cm	2.5 kg



### SMOOTHBORE TIPS FOR PORTABLE MONITORS

The full line of Smoothbore Tips can be found in the Master Stream Nozzles Manual section.

MODEL	INLET FEMALE	ORIFICE	LENGTH	WEIGHT
JSST10	65 mm NH	29 mm bore to 38 mm threaded male outlet	15.0 cm	0.8 kg
JSST11	65 mm NH	32 mm bore to 38 mm threaded male outlet	15.0 cm	0.8 kg
JSSTP-NF	38 mm NH	Smoothbore thread protector	2.2 cm	0.1 kg
MST-2NJ	65 mm NH	32 mm, 29 mm, and 25 mm	24.5 cm	1.0 kg
MST-3NJ	65 mm NH	38, 32 and 25 mm	30.0 cm	1.0 kg
MST-3BJ-M	65 mm BSP	38 mm, 32 mm, and 25 mm Metric flow & pressure	30.0 cm	1.0 kg
MST-5NJ	65 mm NH	45 mm, 38 mm, and 35 mm	29.7 cm	.4 kg

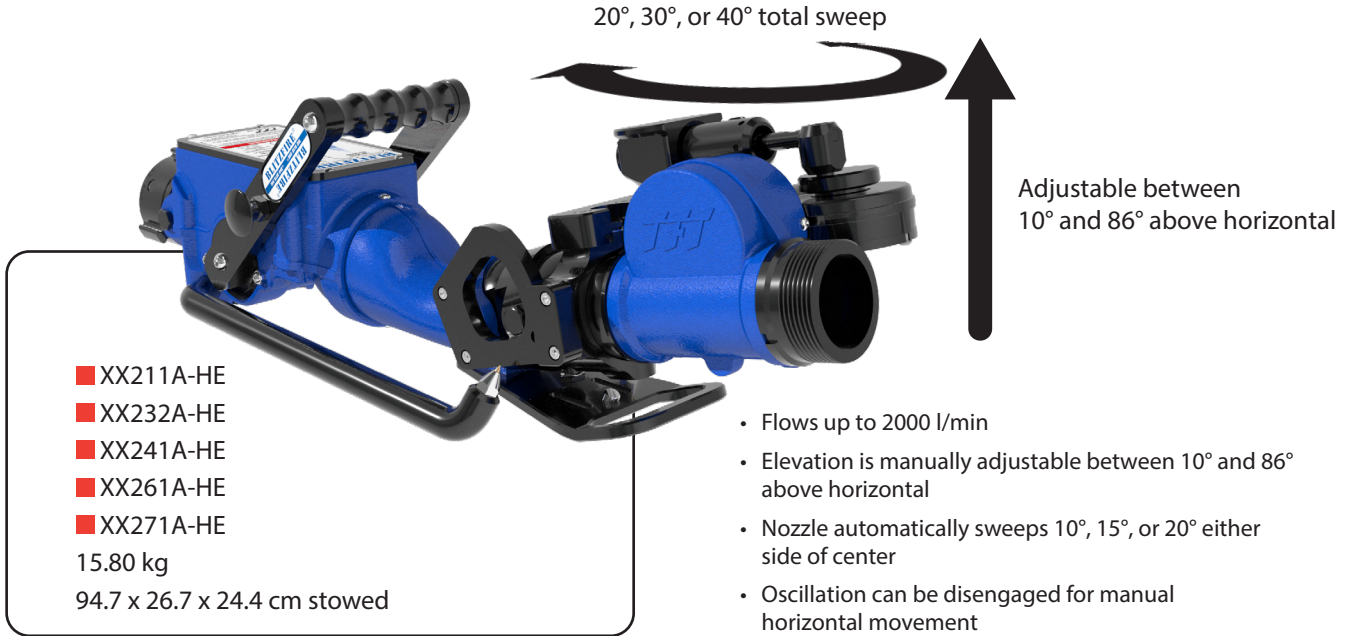


# High Elevation Oscillating Portable Monitor with Safety Shut-off Valve

## BLITZFIRE® High Elevation & Oscillating

TFT's BLITZFIRE is a simple, light, and highly maneuverable attack monitor. The low elevation angle makes it suitable for use indoors. If the BLITZFIRE starts to slide or lift, the SAFETY Shut-off VALVE automatically shuts off the flow of water. The shut-off action slows near stroke end to reduce the effects of water hammer. To reset the flow, simply open the valve to any of six detent flow positions with the turbulence-free slide valve. The discharge pivots make directing the stream extremely quick and effortless. A unique up/down pivot on the hose inlet allows

the monitor to have stability even on porches and stair landings. Folding legs have replaceable carbide tipped spikes. An anchor strap is included for safe operation. Increased elevation range provides tactical advantage of stream placement. Oscillating feature will sweep nozzle 20°, 30° or 40° side to side. Manual override allows manual horizontal movement and easy re-engagement of automatic oscillation.



To add the oscillating feature to an existing BLITZFIRE HE, contact TFT's Service Department.

MODEL	DESCRIPTION
XX211A-HE	65 mm NHF INLET x 65 mm NHM OUTLET
XX232A-HE	65 mm BSPF INLET x 65 mm BSPM OUTLET
XX241A-HE	65 mm BICM INLET x 65 mm NHM OUTLET
XX261A-HE	75 mm Storz INLET x 65 mm NHM OUTLET
XX271A-HE	80 mm CSF INLET x 65 mm NHM OUTLET

- Flows up to 2000 l/min
- Elevation is manually adjustable between 10° and 86° above horizontal
- Nozzle automatically sweeps 10°, 15°, or 20° either side of center
- Oscillation can be disengaged for manual horizontal movement
- Body is hardcoat anodized aluminum
- Blue TFT powder coat finish inside and out
- Six detent flow positions with a turbulence free slide valve
- Standard inlet is 65 mm swivel rocker lug coupling. Standard outlet is 65 mm rigid male threads



- Stainless steel and hardcoat aluminum
- Can be mounted for rapid deployment of a pre-connected BLITZFIRE.
- Mounts on any accessible vertical or horizontal surface.
- 50.8 x 21.6 x 5.1 cm

BLITZFIRE HE OSC PACKAGE MODEL	BLITZFIRE HE OSC MONITOR	NOZZLE 1	ACCESSORY 1
		NOZZLE 2	ACCESSORY 2
XXC-33-HENH1	XX211A-HE BLITZFIRE OSC 65 mm NHF X 65 mm NHM	MD12A MAX-FORCE TIP 65 mm NHF	XX-B STORAGE BRACKET - BLITZFIRE
XXC-33-HESL1	XX261A-HE BLITZFIRE OSC 75 MM STORZ INLET X 65 mm NHM	MD12A MAX-FORCE TIP 65 mm NHF	XX-B STORAGE BRACKET - BLITZFIRE
XXC-53-HENH1	XX211A-HE BLITZFIRE OSC 65 mm NHF X 65 mmNHM	MD12A MAX-FORCE TIP 65 mm NHF	XF-SS5 STREAM STRAIGHTENER 125mm 65 mm NH THREADS
		MST-3NJ 3 STACKED TIPS - 65 mm NHF	XX-B STORAGE BRACKET - BLITZFIRE

## Frequently Purchased BLITZFIRE Portable Monitor Nozzles, Foam Attachments and Accessories



### MASTER STREAM NOZZLES FOR PORTABLE MONITORS

The full line of Master Stream Nozzles can be found in the Master Stream Nozzles Manual section.

MODEL	TYPE	INLET	COUPLING	FLOW	LENGTH	WEIGHT
MD12A	Max-Force Dual Pressure	65 mm NH	Rigid Rocker Lug	400-2000 l/min 7 bar / 4 bar	22.9 cm	3.0 kg
MD18A	Max-Matic Automatic	65 mm NH	Rigid Rocker Lug	400-2000 l/min 7 bar	22.9 cm	2.9 kg
MD17A	Max-Matic Automatic	65 mm NH	Rigid Rocker Lug	400-2000 l/min 6 bar	22.9 cm	2.9 kg
MD14A	Max-Flow Fixed Gallonage	65 mm NH	Rigid Rocker Lug	2000 l/min 7 bar	22.9 cm	2.9 kg
MD22A	Max-Force Dual Pressure	65 mm BSP	Rigid Rocker Lug	400-2000 l/min 7 bar/4 bar	22.9 cm	3.0 kg



### PORTABLE MONITOR FOAM ATTACHMENT

The full line of foam attachments can be found in the Foam Equipment section.

MODEL	FITS NOZZLE	LENGTH	WEIGHT
FJ-MX-MD	Max-Series and ZN Series Industrial Nozzles	41.1 cm	2.1 kg



### VORTEX FOR PORTABLE MONITORS

The full line of Vortex can be found in the Master Stream Nozzles Manual section.

MODEL	INLET	OUTLET	OPERATING SYSTEM	MAXIMUM PRESSURE	FLOW	LENGTH	WEIGHT
SVJ-NJNJ	65 mm NH	65 mm NH	MANUAL	21 bar	up to 4500 l/min	21.3 cm	2.5 kg



### SMOOTHBORE TIPS FOR PORTABLE MONITORS

The full line of Smoothbore Tips can be found in the Master Stream Nozzles Manual section.

MODEL	INLET FEMALE	ORIFICE	LENGTH	WEIGHT
JSST10	65 mm NH	29 mm bore to 38 mm threaded male outlet	15.0 cm	0.8 kg
JSST11	65 mm NH	32 mm bore to 38 mm threaded male outlet	15.0 cm	0.8 kg
JSSTP-NF	38 mm NH	Smoothbore thread protector	2.2 cm	0.1 kg
MST-2NJ	65 mm NH	32 mm, 29 mm, and 25 mm	24.5 cm	1.0 kg
MST-3NJ	65 mm NH	38, 32 and 25 mm	30.0 cm	1.0 kg
MST-3BJ-M	65 mm BSP	38 mm, 32 mm, and 25 mm Metric flow & pressure	30.0 cm	1.0 kg
MST-5NJ	65 mm NH	45 mm, 38 mm, and 35 mm	29.7 cm	1.4 kg



### STREAM STRAIGHTENERS FOR PORTABLE MONITORS

The full line of Stream Straighteners can be found in the Master Stream Nozzles Manual section.

MODEL	RIGID FEMALE INLET	RIGID MALE OUTLET	LENGTH	WEIGHT
XF-SS5	65 mm NH	65 mm NH	125 mm	0.80 kg

## Portable Monitor with Safety Gating Inlet BLITZTAC™



Meets NFPA 1964 and EN 15767-1 certifications.

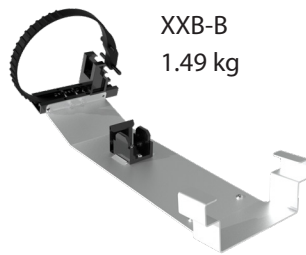
The BLITZTAC is one of Task Force Tips' innovative, lightweight, and highly versatile portable attack monitors. Rated up to 2000 l/min, BLITZTAC integrates a low loss waterway with positive locking valve control, and a corrosion resistant anodized and powder coat finish, while providing a simple easy to reset safety gating device. If the BLITZTAC starts to slide or lift, the safety gating inlet will automatically reduce the flow of water. To reset, simply close the valve to stop water flow and position the monitor back into the full flow position. The discharge pivots make directing the stream extremely quick and effortless. With

an integral stream shaper for superior reach and penetration performance, the BLITZTAC delivers a 20° side to side range (40° total) and an elevation range of 25° to 50° in unmanned mode, or a low 10° angle when manned. The low elevation angle makes it suitable for use indoors. An angled inlet on the hose inlet provides a smooth transition from the hose to the monitor for increased stability. Folding legs have replaceable carbide tipped spikes. An anchor strap with storage bag is included for safe operation.



- XXB111A
- XXB132A
- 8.7 kg
- 52.6 x 21.8 x 21.0 cm (stowed)

- Flows up to 2000 l/min)
- Body is hardcoat anodized aluminum
- Blue TFT powder coat finish inside and out
- Positive locking valve control
- Elevation range of 25 ° to 50° in unmanned mode, and to a low 10° manned
- Horizontal rotation is manually adjustable 20° either side of center
- Outlet has built-in stream shaper
- Standard inlet is 65 mm swivel rocker lug coupling.
- Standard outlet is 65 mm rigid male threads
- Anchor strap with storage bag included



XXB-B  
1.49 kg

- Stainless steel and hardcoat aluminum
- Can be mounted for rapid deployment of a pre-connected BLITZTAC.
- Mounts on any accessible vertical or horizontal surface.
- 49.5 x 21.1 x 8.9 cm

[BLITZTAC Portable Monitor Nozzles, Foam Attachments, Accessories and Packages on the next pages.](#)

MODEL	DESCRIPTION
XXB111A	65 mm NHF INLET x 65 mm NHM OUTLET
XXB132A	65 mm BSPF INLET x 65 mm BSPM OUTLET

### MASTER STREAM NOZZLES FOR PORTABLE MONITORS

The full line of Master Stream Nozzles can be found in the Master Stream Nozzles Manual section.



MODEL	TYPE	INLET	COUPLING	FLOW	LENGTH	WEIGHT
MD12A	Max-Force Dual Pressure	65 mm NH	Rigid Rocker Lug	400-2000 l/min 7 bar / 4 bar	22.9 cm	3.0 kg
MD18A	Max-Matic Automatic	65 mm NH	Rigid Rocker Lug	400-2000 l/min 7 bar	22.9 cm	2.9 kg
MD17A	Max-Matic Automatic	65 mm NH	Rigid Rocker Lug	400-2000 l/min 6 bar	22.9 cm	2.9 kg
MD14A	Max-Flow Fixed Gallonage	65 mm NH	Rigid Rocker Lug	2000 l/min 7 bar	22.9 cm	2.9 kg
MD22A	Max-Force Dual Pressure	65 mm BSP	Rigid Rocker Lug	400-2000 l/min 7 bar/4 bar	22.9 cm	3.0 kg

## Frequently Purchased BLITZTAC Portable Monitor Nozzles, Foam Attachments and Accessories



### PORTABLE MONITOR FOAM ATTACHMENT

The full line of foam attachments can be found in the Foam Equipment section.

MODEL	FITS NOZZLE	LENGTH	WEIGHT
FJ-MX-MD	Max-Series and ZN Series Industrial Nozzles	41.1 cm	2.1 kg



### VORTEX FOR PORTABLE MONITORS

The full line of Vortex can be found in the Master Stream Nozzles Manual section.

MODEL	INLET	OUTLET	OPERATING SYSTEM	MAXIMUM PRESSURE	FLOW	LENGTH	WEIGHT
SVJ-NJNJ	65 mm NH	65 mm NH	MANUAL	21 bar	up to 4500 l/min	21.3 cm	2.5 kg



### SMOOTHBORE TIPS FOR PORTABLE MONITORS

The full line of Smoothbore Tips can be found in the Master Stream Nozzles Manual section.

MODEL	INLET FEMALE	ORIFICE	LENGTH	WEIGHT
JSST10	65 mm NH	29 mm bore to 38 mm threaded male outlet	15.0 cm	0.8 kg
JSST11	65 mm NH	32 mm bore to 38 mm threaded male outlet	15.0 cm	0.8 kg
JSSTP-NF	38 mm NH	Smoothbore thread protector	2.2 cm	0.1 kg
JSS10	65 mm NH	29 mm	20.1 cm	0.7 kg
JSS11	65 mm NH	32 mm	20.1 cm	0.8 kg
MST-2NJ	65 mm NH	32 mm, 29 mm, and 25 mm	24.5 cm	1.0 kg
MST-3NJ	65 mm NH	38, 32 and 25 mm	30.0 cm	1.0 kg
MST-5NJ	65 mm NH	45 mm, 38 mm, and 35 mm	29.7 cm	1.4 kg

## BLITZTAC™ Packages

BLITZTAC PACKAGE MODEL	BLITZTAC MONITOR	NOZZLE	ACCESSORY
XXBC-32-NH1	XXB111A BLITZTAC 65 mm NHF INLET 65 mm NHM OUTLET	MD12A MAX-FORCE TIP 65 mm FEMALE	XXB-B STORAGE BRACKET - BLITZTAC
XXBC-42-NH1	XXB111A BLITZTAC 65 mm NHF INLET 65 mm NHM OUTLET	MST-5NJ STACKED TIPS 65 mm FEMALE	XXB-B STORAGE BRACKET - BLITZTAC



## PORTABLE LIGHTWEIGHT ATTACK MONITOR BLITZFORCE™

### BlitzForce Lightweight Portable Attack Monitor

The BlitzForce is one of Task Force Tips' innovative, lightweight, and highly versatile portable attack monitors. Rated up to 1,890 l/min, BlitzForce integrates a low loss waterway with positive locking valve control, and a corrosion resistant anodized and powder coat finish. An exclusive high strength tie-down strap and carbide tipped folding legs offer extreme stability in varying fire environments. With an integral stream shaper for superior reach and penetration performance, the BlitzForce delivers a 20° side to side (40° total) and a 20° to 60° up and down range of stream motion. A five year warranty, stainless steel apparatus mounting bracket, and your choice of combination nozzle or stacked tips are standard.

### Small, Lightweight and Compact Design

Weighing just 6.6 kg, the BlitzForce stores securely for a rapid deployment in a space of only 48 x 23 x 30 cm and a ground hugging 66 cm wide when deployed for initial attack.

### High Flow, Low Loss Waterway

Full flow 52 mm waterway provides 1,890 l/min initial attack flows with only 0.5 bar loss. A removable internal stream straightener is standard, and the valve design provides positive locking in the closed position.

### Optional Oscillation

The BlitzForce OSC monitor features a water driven turbine that when engaged, allows the nozzle to automatically sweep 10°, 15°, or 20° either side of center. The simple to use oscillating mechanism can be disengaged allowing manual horizontal rotation.

### Maximum Stability in Harsh Conditions

High strength folding aluminum alloy legs include replaceable carbide tip spikes and integrated nylon kneepads for maximum stability during operation. The BlitzForce also incorporates an exclusive, quickly deployed, high strength tie down strap to prevent unintentional monitor movement.

### High Performance Fire Streams Flexibility

With horizontal rotation of 20° either side of center, and an elevation range 30° to 60° in unassisted mode, or a low 20° angle when assisted, the BlitzForce provides amazing operational versatility. Each monitor package comes with a choice of a combination nozzle, or triple stacked tips 25, 32, & 38 mm with laser engraved flow charts.

### Rugged Durability

Each monitor is produced from hardcoat anodized aluminum alloy, stainless steel, and is powder coated for maximum corrosion and abrasion resistance. Permanent laser engraved operational instructions, reflective labeling, unique product serialization, and a stainless apparatus mounting bracket are all standard.



## BLITZFORCE™ Portable Monitor Packages

BLITZFORCE PACKAGE MODEL	BLITZFORCE MONITOR	NOZZLE	ACCESSORY
XXLG-32-CN1	XXL171A-CN BLITZFORCE 80 MM CSF IN/65 mm NH OUT	ZN12A ZN NOZZLE 65 mm-7.5 NH	XXL-B STORAGE BRACKET - BLITZFORCE
XXLG-32-NH1	XXL111A BLITZFORCE 65 mm INLET and OUTLET	ZN12A ZN NOZZLE 65 mm-7.5 NH	XXL-B STORAGE BRACKET - BLITZFORCE
XXLG-42-NH1	XXL111A BLITZFORCE 65 mm INLET and OUTLET	MST-3NJ 3 STACKED TIPS - 65 mm NHF	XXL-B STORAGE BRACKET - BLITZFORCE

## PORTABLE LIGHTWEIGHT OSCILLATING ATTACK MONITOR BLITZFORCE™ Oscillating

### BlitzForce Lightweight Portable Attack Monitor Optional Oscillation

The BlitzForce OSC monitor has the same features as the standard BlitzForce monitor and includes a water driven turbine that when engaged, allows the nozzle to automatically sweep 10°, 15°, or 20° either side of center. The simple to use oscillating mechanism can be disengaged allowing manual horizontal rotation.

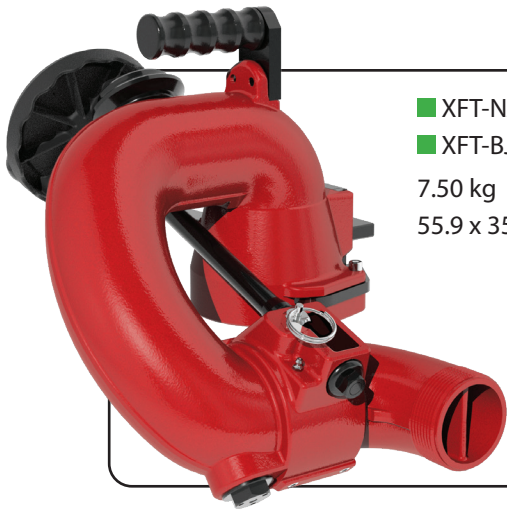


### BLITZFORCE™ OSC Portable Monitor Packages

BLITZFORCE OSC PACKAGE MODEL	BLITZFORCE OSC MONITOR	NOZZLE	ACCESSORY
XXLC-33-BJ1	XXL212A BLITZFORCE OSCILLATOR 65 mm BSP IN/OUTLET	ZN22A ZN NOZZLE 65 mm-11 BSP	XXL-B STORAGE BRACKET - BLITZFORCE
XXLC-53-BJ1	XXL212A BLITZFORCE OSCILLATOR 65 mm BSP IN/OUTLET	MD22A MAX-FORCE TIP 65 mm BSP	XXL-B STORAGE BRACKET - BLITZFORCE
XXLC-53-NH1	XXL211A BLITZFORCE OSCILLATOR 65 mm NH IN/OUTLET	MD12A MAX-FORCE TIP 65 mm NHF	XXL-B STORAGE BRACKET - BLITZFORCE

## PORTABLE / DECK GUN MONITOR CROSSFIRE® SERIES

The CROSSFIRE monitor is the most versatile master stream appliance ever offered to the fire service. Its lightweight, compact design and unique quick-release swivel joint allow for a faster and safer stream deployment in the portable attack mode.



■ XFT-NJ  
■ XFT-BJ  
7.50 kg  
55.9 x 35.6 x 35.6 cm

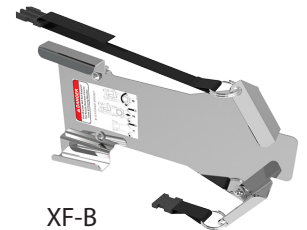
MODEL	DESCRIPTION
XFT-NJ	65 mm NHM OUTLET
XFT-BJ	65 mm BSPM OUTLET

The Safe-Tak 1250 utilizes the revolutionary Safe-Tak "flow safety valve." Should the monitor lose contact with the ground surface, the Safe-Tak will automatically reduce flow to the monitor. This safety feature reduces the risk of injury from an out-of-control appliance. Monitor top and base are hardcoat anodized aluminum with a powder coat finish inside and out for superior corrosion protection. Truck mount adapter not included, order separately.

- Flow range up to 4750 l/min
- 65 mm outlet
- Can be connected to either a portable base or a truck with adapters or a TFT Extend-A-Gun with XL outlet.
- Large 83 mm waterway
- The connection is easy, positive, and visually verified
- 360° horizontal rotation
- Highly visible pressure gauge and a built-in automatic drain

### CROSSFIRE STORAGE BRACKET

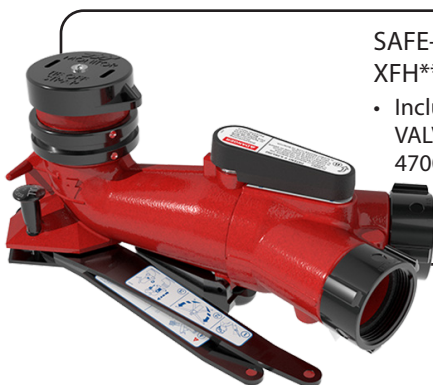
13 ga., 304 stainless steel bracket with strap holds the Safe-Tak 1250 portable base securely while being transported. This bracket can be mounted vertically or horizontally in any position, including the top or underside of a shelf, on a side wall, or on a compartment door. Includes quick release storage strap.



XF-B  
37.5 x 19.7 x 5.1 cm  
1.40 kg

## PORTABLE / DECK GUN MONITOR SAFE-TAK™ 1250 CROSSFIRE PORTABLE BASE WITH SAFETY VALVE

Portable bases are supplied with either two clappered swivel inlets or with a single full-time swivel inlet and include the SAFE-TAK "flow safety valve". The stainless steel, carbide-tipped base support legs can be folded to easily fit inside a small apparatus compartment, or for carrying pre-connected to a hose line. Includes a safety tie-down strap with attached storage cap.



SAFE-TAK 1250  
XFH\*\* (see chart)  
• Includes SAFE-TAK™ VALVE for flows up to 4700 l/min

### PORTABLE BASE INLET CHART - Please specify inlet thread.

Safe-Tak 1250 Model #	# Inlets	Inlet Size	Safe-Tak 1250	
			lbs	kg
XFH-1NL	1	3.0" NH (75 mm)	25.4	11.5
XFH-1NN	1	3.5" NH (90 mm)	25.6	11.6
XFH-1NP	1	4.0" NH (100 mm)	26.2	11.9
XFH-1NR	1	4.5" NH (114 mm)	26.3	12.0
XFH-1SP	1	4" Storz (100 mm)	27.0	12.2
XFH-1ST	1	5" Storz (125 mm)	28.7	13.0
XFH-1SX	1	6" Storz (150 mm)	30.4	13.8
XFH-2NJ	2	2.5" NH (65 mm)	23.8	10.8
XFH-2BIC	2	2.5" BICM (65 mm)	23.8	10.8
XFH-2BJ	2	2.5" BSPF (65 mm)	23.8	10.8
XFH-2SL	2	75 mm Storz	27.2	12.3

[CROSSFIRE Monitor Mounting Options, Accessories Nozzles, Foam Attachments and Packages on the next pages.](#)

## Frequently Purchased CROSSFIRE Portable Monitor Nozzles, Foam Attachments and Accessories



### MASTER FORCE NOZZLES FOR PORTABLE MONITORS

The full line of Master Stream Nozzles can be found in the Master Stream Nozzles Manual section.

MODEL	INLET	FLOW	OPERATING PRESSURE	LENGTH	WEIGHT
MC12A	65 mm NH	1100-3000 l/min	7/4 bar	26.4 cm	4.3 kg



### MASTER STREAM NOZZLES FOR PORTABLE MONITORS

The full line of Master Stream Nozzles can be found in the Master Stream Nozzles Manual section.

MODEL	INLET	OPERATING SYSTEM	FLOW	OPERATING PRESSURE	LENGTH	WEIGHT
M-R1000-NJ	65 mm NH	AUTOMATIC	600-3800 l/min	7 bar	25.4 cm	4.1 kg
M-R1250S-NJ	65 mm NH	AUTOMATIC	570-4700 l/min	7 bar	25.4 cm	4.7 kg
M-R1250S-BJ	65 mm BSP	AUTOMATIC	570-4700 l/min	7 bar	25.4 cm	4.7 kg



### PORTABLE MONITOR FOAM ATTACHMENT

The full line of foam attachments can be found in the Foam Equipment section.

MODEL	FITS NOZZLE	LENGTH	WEIGHT
FJ-LX-M	Master Force, Master Stream 1000 & 1250S and Master Foam 250-750 gpm	64.3 cm	2.9 kg



### VORTEX FOR PORTABLE MONITORS

The full line of Vortex can be found in the Master Stream Nozzles Manual section.

MODEL	INLET	OUTLET	OPERATING SYSTEM	MAXIMUM PRESSURE	FLOW	LENGTH	WEIGHT
SVJ-NJNJ	65 mm NH	65 mm NH	MANUAL	21 bar	up to 4500 l/min	21.3 cm	2.5 kg



### SMOOTHBORE STACKED TIP FOR PORTABLE MONITORS

The full line of Smoothbore Stacked Tips can be found in the Master Stream Nozzles Manual section.

MODEL	INLET	ORIFICE OPENINGS	LENGTH	WEIGHT
MST-4NJ	65 mm NH	52 mm, 45 mm, 38 mm and 35 mm	42.9 cm	1.40 kg
MST-4BJ	65 mm BSP	52 mm, 45 mm, 38 mm and 35 mm	42.9 cm	1.40 kg



### STREAM STRAIGHTENERS FOR PORTABLE MONITORS

The full line of Stream Straighteners can be found in the Master Stream Nozzles Manual section.

MODEL	RIGID FEMALE INLET	RIGID MALE OUTLET	LENGTH	WEIGHT
XF-SS5	65 mm NH	65 mm NH	125 mm	0.80 kg
XF-SS5-BJ	65 mm BSP	65 mm BSP	125 mm	0.80 kg
XF-SS10	65 mm NH	65 mm NH	254 mm	1.90 kg

Continued on next page.



Frequently Purchased CROSSFIRE Portable Monitor Nozzles,  
Foam Attachments and Accessories continued.



**TRUCK ADAPTER, 3.0" NPT FEMALE**

The full listing of CROSSFIRE accessories can be found in the CROSSFIRE Accessories pages.

MODEL	THREADS	HEIGHT	DIAMETER	WEIGHT
XFF-APL	75 mm NPT Female	125 mm	170 mm	1.4 kg



**EXTEND-A-GUN RC3 / CROSSFIRE ADAPTER**

The full listing of CROSSFIRE accessories can be found in the CROSSFIRE Accessories pages.

MODEL	HEIGHT	DIAMETER	WEIGHT
XFF-RLF	125 mm	170 mm	1.9 kg



**EXTEND-A-GUN PIPE**

The full listing of CROSSFIRE accessories can be found in the CROSSFIRE Accessories pages.

MODEL	DESCRIPTION	WEIGHT
XG18XL-XL	Manual 40.6 cm extension pipe for CROSSFIRE monitor top	10.0 kg



**FLANGE TRUCK MOUNT ADAPTER**

The full listing of CROSSFIRE accessories can be found in the CROSSFIRE Accessories pages.

MODEL	FLANGE	BOLTS	INTERNAL THREADS	HEIGHT	DIAMETER	WEIGHT
XFF-MPL	75 mm ANSI 150	(4) 5/8"-11X3	NONE	12.7 cm	19.1 cm	3.1 kg
XFF-MPP	100 mm ANSI 150	(8) 5/8"-11X3	NONE	20.3 cm	22.9 cm	5.0 kg



**COMPANION FLANGE**

The full listing of CROSSFIRE accessories can be found in the CROSSFIRE Accessories pages.

MODEL	FLANGE	BOLTS	THREADS	DIAMETER	WEIGHT
XFF-CPL	75 mm ANSI 150	(4) - 5/8" (M16) (not included)	75 mm NPT Female	19.1 cm	1.4 kg

Continued on next page.

## CROSSFIRE® SERIES ACCESSORIES

### EXTEND-A-GUN PIPE

A simple and cost effective way to easily add 16"(40.6 cm) to your CROSSFIRE Deck gun outlet connection. Simply remove the CROSSFIRE monitor from the existing truck mount adapter, add the Extend-A-Gun Pipe and connect the CROSSFIRE top. Increases the field of fire by raising the CROSSFIRE monitor to clear obstructions on the top of the apparatus. Utilizes

the same quick connect features of the CROSSFIRE monitor. Visually verifiable rotation lock and locking mechanism.

- Made from hardcoat anodized aluminum alloy for lightweight and corrosion resistance.
- Not for use on Extend-A-Gun telescoping waterway.
- Not for use on portable ground base.



XG18XL-XL

MODEL	EXTENSION HEIGHT	DIAMETER	WEIGHT
XG18XL-XL	40.6 cm	75 mm	10.0 kg

### Frequently Purchased Extend-A-Gun Pipe Accessories



XFF-MPL  
XFF-MPP

#### FLANGE TRUCK MOUNT ADAPTER

For use on riser with companion flange. Compact, hardcoat anodized aluminum adapter allows the CROSSFIRE monitor to be easily utilized as a truck mounted deluge appliance. Hardware and gasket included.

MODEL	FLANGE	BOLTS	THREADS	HEIGHT	DIAMETER	WEIGHT
XFF-MPL	75 mm ANSI 150	(4) 5/8"-11X3	NONE	12.7 cm	19.1 cm	3.1 kg
XFF-MPP	100 mm ANSI 150	(8) 5/8"-11X3	NONE	20.3 cm	22.9 cm	5.0 kg



XFF-CPL

#### COMPANION FLANGE

- Gasket included.

MODEL	FLANGE	BOLTS	THREADS	DIAMETER	WEIGHT
XFF-CPL	75 mm ANSI 150	(4) - 5/8" (M16) (not included)	75 mm NPT Female	19.1 cm	1.4 kg



XFF-APL

#### TRUCK ADAPTER, 3.0" NPT FEMALE

Can be screwed directly on a 3.0" NPT (75 mm) male thread. This compact, hardcoat anodized adapter allows the CROSSFIRE monitor to be easily utilized as a truck mounted deluge appliance.

MODEL	THREADS	HEIGHT	DIAMETER	WEIGHT
XFF-APL	75 mm NPT Female	125 mm	170 mm	1.4 kg



XFF-RLF

#### EXTEND-A-GUN RC3/CROSSFIRE ADAPTER

This compact, hardcoat anodized adapter attaches to the electronically raised Extend-A-Gun RC3, allowing the CROSSFIRE monitor to be easily utilized as a truck mounted deluge appliance.

MODEL	HEIGHT	DIAMETER	WEIGHT
XFF-RLF	125 mm	170 mm	1.9 kg

## CROSSFIRE® Packages

CROSSFIRE Combination Packages combine the most often purchased components into a simple-to-order package. Contact TFT customer service for assistance.



CROSSFIRE PACKAGE MODEL	CROSSFIRE MONITOR	NOZZLE 1	ACCESSORY 1
	SAFE-TAK BASE	NOZZLE 2	ACCESSORY 2
XFC-12-2BICJ	XFT-BJ CROSSFIRE MONIOTOR TOP 65 mm BSP MALE OUTLET		
	XFH-2BIC SAFE-TAK BASE 65 mm BICM INLETS		
XFC-12-2NJ	XFT-NJ CROSSFIRE MONITOR TOP 65 mm NH MALE OUTLET		XF-B STORAGE BRACKET; CROSSFIRE
	XFH-2NJ SAFE-TAK BASE 65 mm NH FEMALE INLETS		
XFC-32-2BJ2	XFT-BJ CROSSFIRE MONITOR TOP 65 mm BSP MALE OUTLET	M-R1250S-NJ MASTER STREAM 1250S W/ HALO AUTO 65 mm NH	XF-B STORAGE BRACKET; CROSSFIRE
	XFH-2BJ SAFE-TAK BASE 65 mm BSP FEMALE INLETS		
XFC-32-1ST2	XFT-NJ CROSSFIRE MONITOR TOP 65 mm NH MALE OUTLET	M-R1250S-NJ MASTER STREAM 1250S W/ HALO AUTO 65 mm NH	XF-B STORAGE BRACKET; CROSSFIRE
	XFH-1ST SAFE-TAK BASE 125 mm STORZ		
XFC-32-2NJ2	XFT-NJ CROSSFIRE MONITOR TOP 65 mm NH MALE OUTLET	M-R1250S-NJ MASTER STREAM 1250S W/ HALO AUTO 65 mm NH	XF-B STORAGE BRACKET; CROSSFIRE
	XFH-2NJ SAFE-TAK BASE 65 mm NH FEMALE INLETS		
XFC-32-2NJ1	XFT-NJ CROSSFIRE MONITOR TOP 65 mm NH MALE OUTLET	M-R1000-NJ MASTER STREAM 1000 W/ HALO AUTO 65 mm NH	XF-B STORAGE BRACKET; CROSSFIRE
	XFH-2NJ SAFE-TAK BASE 65 mm NH FEMALE INLETS		
XFC-32-2SL2	XFT-NJ CROSSFIRE MONITOR TOP 65 mm NH MALE OUTLET	M-R1250S-NJ MASTER STREAM 1250S W/ HALO AUTO 65 mm NH	XF-B STORAGE BRACKET; CROSSFIRE
	XFH-2SL SAFE-TAK BASE 75 MM STORZ INLETS		
XFC-42-1SP-L	XFT-NJ CROSSFIRE MONITOR TOP 65 mm NH MALE OUTLET	MST-4NJ 4 STACKED TIPS 65 mm NH	XF-SS10 STREAM STRAIGHTENER 250 mm 65 mm NH THREADS
	XFH-1SP SAFE-TAK BASE 100 mm STORZ		XF-B STORAGE BRACKET; CROSSFIRE

Continued on next page.

CROSSFIRE® Packages

CROSSFIRE PACKAGE MODEL	CROSSFIRE MONITOR	NOZZLE 1	ACCESSORY 1
	SAFE-TAK BASE	NOZZLE 2	ACCESSORY 2
XFC-42-1ST-S	XXFT-NJ CROSSFIRE MONITOR TOP 65 mm NH MALE OUTLET	MST-4NJ 4 STACKED TIPS 65 mm NH	XF-SS5 STREAM STRAIGHTENER 125 mm 65 mm NH THREADS
	XFH-1ST SAFE-TAK BASE 125 mm STORZ		XF-B STORAGE BRACKET; CROSSFIRE
XFC-42-2NJ-L	XFT-NJ CROSSFIRE MONITOR TOP 65 mm NH MALE OUTLET	MST-4NJ 4 STACKED TIPS 65 mm NH	XF-SS10 STREAM STRAIGHTENER 250 mm 65 mm NH THREADS
	XFH-2NJ SAFE-TAK BASE 65 mm FEMALE INLETS		XF-B STORAGE BRACKET; CROSSFIRE
XFC-42-2NJ-S	XFT-NJ CROSSFIRE MONITOR TOP 65 mm NH MALE OUTLET	MST-4NJ 4 STACKED TIPS 65 mm NH	XF-SS5 STREAM STRAIGHTENER 125 mm 65 mm NH THREADS
	XFH-2NJ SAFE-TAK BASE 65 mm FEMALE INLETS		XF-B STORAGE BRACKET; CROSSFIRE
XFC-52-1ST2L	XFT-NJ CROSSFIRE MONITOR TOP 65 mm NH MALE OUTLET	M-R1250S-NJ MASTER STREAM 1250S W/ HALO AUTO 65 mm NH	XF-SS10 STREAM STRAIGHTENER 250 mm 65 mm NH THREADS
	XFH-1ST SAFE-TAK BASE 125 mm STORZ	MST-4NJ 4 STACKED TIPS 65 mm NH	XF-B STORAGE BRACKET; CROSSFIRE
XFC-52-1ST2S	XFT-NJ CROSSFIRE MONITOR TOP 65 mm NH MALE OUTLET	M-R1250S-NJ MASTER STREAM 1250S W/ HALO AUTO 65 mm NH	XF-SS5 STREAM STRAIGHTENER 125 mm 65 mm NH THREADS
	XFH-1ST SAFE-TAK BASE 125 mm STORZ	MST-4NJ 4 STACKED TIPS 65 mm NH	XF-B STORAGE BRACKET; CROSSFIRE
XFC-52-2NJ1L	XFT-NJ CROSSFIRE MONITOR TOP 65 mm NH MALE OUTLET	M-R1000-NJ MASTER STREAM 1000 W/ HALO AUTO 65 mm NH	XF-SS10 STREAM STRAIGHTENER 250 mm 65 mm NH THREADS
	XFH-2NJ SAFE-TAK BASE 65 mm FEMALE INLETS	MST-4NJ 4 STACKED TIPS 65 mm NH	
XFC-52-2NJ2L	XFT-NJ CROSSFIRE MONITOR TOP 65 mm NH MALE OUTLET	M-R1250S-NJ MASTER STREAM 1250S W/ HALO AUTO 65 mm NH	XF-SS10 STREAM STRAIGHTENER 250 mm 65 mm NH THREADS
	XFH-2NJ SAFE-TAK BASE 65 mm FEMALE INLETS	MST-4NJ 4 STACKED TIPS 65 mm NH	XF-B STORAGE BRACKET; CROSSFIRE
XFC-52-2NJ2S	XFT-NJ CROSSFIRE MONITOR TOP 65 mm NH MALE OUTLET	M-R1250S-NJ MASTER STREAM 1250S W/ HALO AUTO 65 mm NH	XF-SS5 STREAM STRAIGHTENER 125 mm 65 mm NH THREADS
	XFH-2NJ SAFE-TAK BASE 65 mm FEMALE INLETS	MST-4NJ 4 STACKED TIPS 65 mm NH	
XFC-322BICJ2	XFT-NJ CROSSFIRE MONITOR TOP 65 mm MALE OUTLET	M-R1250S-NJ MASTER STREAM 1250S W/ HALO AUTO 65 mm NH	XF-B STORAGE BRACKET; CROSSFIRE
	XFH-2BIC SAFE-TAK BASE 65 mm BIC MALE INLETS		
XFC-322BICJ3	XFT-BJ CROSSFIRE MONITOR TOP 65 mm BSP MALE OUTLET	M-RS4000-BJ MASTER STREAM 4000S W/ HALO SELECTABLE 65 mm BSP	XF-B STORAGE BRACKET; CROSSFIRE
	XFH-2BIC SAFE-TAK BASE 65 mm BIC MALE INLETS		



## HEMISPHERE™ Transportable Monitor

The HEMISPHERE is a versatile, lightweight, and quick to deploy portable monitor that gives the user the ability to quickly establish water flow in locations that ground monitors cannot. Since the Hemisphere doesn't rely on gravity for stability, it can be pointed horizontal and down, in addition to up, unlike portable ground monitors. The rotating, swiveling waterway allows the stream to be pointed in virtually any direction within a hemispherical range

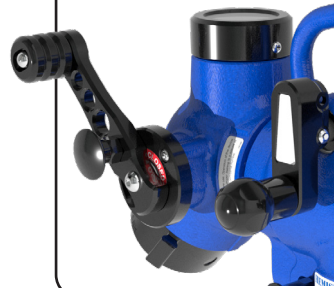


■ HPM111A  
■ HPM132A\*  
9.9 kg  
28.4 cm Height  
29.5 cm Width  
53.6 cm Depth

■ HPMG111A  
with Pressure Gauge  
10.6 kg  
28.4 cm Height  
29.5 cm Width  
53.6 cm Depth

without interrupting water flow. A variety of mounts, including an I-beam clamp that doubles as a 52 mm hitch mount, a dedicated hitch mount, and fixed mounts provide the user the ability to quickly attach the monitor and establish coverage on the fire ground or in preplanned locations. An integrated quarter-turn aluminum half ball valve with locking handle provides shut-off capability. The monitor and valve bodies are hardcoat anodized aluminum inside and out with a blue TFT powder coat finish.

- Flow range up to 2000 l/min
- Swiveling 45° valved inlet and a rotating swiveling outlet
- Outlet is manually adjustable via a double ball swivel, angled 40° from the main waterway, capable of sweeping 80°, and can be rotated about the main waterway a full 360° by a hand crank
- Outlet has a built-in stream straightener
- Water pressurized pins prevent the monitor from releasing while flowing



- Optional 0-20 bar pressure gauge available
- Protective ring and lens cover
- Gauge reads inlet pressure when valve is closed

MODEL	DESCRIPTION
HPM111A	65 mm NH INLET & OUTLET
HPM132A*	65 mm BSP INLET & OUTLET
HPMG111A+	65 mm NH INLET & OUTLET

\* EN15767-1 Compliant + with Pressure Gauge



Hemisphere Monitor Mounting Options, Accessories Nozzles, Foam Attachments and Packages on the next pages.

# HEMISPHERE™

## Transportable Monitor Mounting Options

This hardcoat anodized aluminum and stainless steel clamps can be quickly attached to objects such as: an I-beam, stair rails, tank lip, industrial scaffolding, round and various other odd shaped objects by one person without the use of tools. The mount and clamp jaws can be moved to any of the 42 positions on the backbone for maximum versatility. Detented pins hold the mount and jaws in place and a travel stop

keeps the pins attached to prevent them from being dropped or lost. Once the clamp is secured, the Hemisphere monitor is attached to the clamp by sliding the socket at the base of the monitor over the mount. The jaws can be removed and the backbone can be inserted into any standard 52 mm hitch giving the ability to quickly add a monitor to most vehicles without costly modifications.

All Hemisphere Mounting Options Adjust Quickly and Easily

**I-Beam Clamp/52 mm Hitch Mount**  
**HPM-A**

- Clamps to I-beams and other similar objects

**Tank Lip Clamp/52 mm Hitch Mount**  
**HPM-F**

- Clamps to storage tank lips and other similar objects

**Parallel Bar Clamp/52 mm Hitch Mount**  
**HPM-G**

- Clamps to industrial scaffolding and other similar objects

**Flex Clamp/52 mm Hitch Mount**  
**HPM-H**

- Clamps to round and various shaped objects
- Bags neatly store chain when not in use and stay attached during use

MODEL	MOUNTING BRACKET SET	HEIGHT	WIDTH	DEPTH	WEIGHT
HPM-A	I BEAM CLAMP 52 mm HITCH MOUNT	14.5 cm	16.3 cm	84.1 cm	8.7 kg
HPM-F	TANK LIP CLAMP 52 mm HITCH MOUNT	14.5 cm	16.3 cm	84.1 cm	10.0 kg
HPM-G	PARALLEL BAR CLAMP 52 mm HITCH MOUNT	14.5 cm	16.3 cm	84.1 cm	9.3 kg
HPM-H	FLEX CLAMP 52 mm HITCH MOUNT	19.6 cm	23.4 cm	84.1 cm	11.6 kg



TANK LIP



STAIR RAILING



FRAMING MEMBER


# HEMISPHERE™

## Transportable Monitor Accessories

Hardcoat anodized aluminum and stainless steel clamp jaws attach to the 52 mm backbone/hitch mount to provide a clamp that can be quickly attached to objects such as: an I-beam, stair rails, tank lip, industrial scaffolding, round and various other odd

shaped objects by one person without the use of tools. Add additional clamp sets to your existing backbone to make it more versatile.

Backbone Hitch Mount  
HPM-N

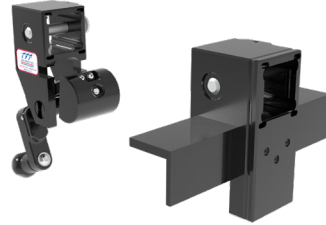



- Standard Backbone replacement
- Can be used in vehicle hitch receiver
- Requires HPM-E Cross-Pin Mount

I-Beam Clamp  
HPM-J



Tank Lip Clamp  
HPM-K





Fixed Mount  
HPM-B

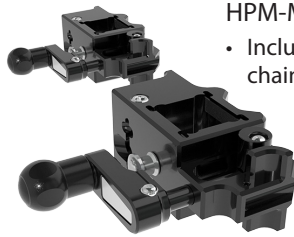
- Install in pre-planned coverage areas

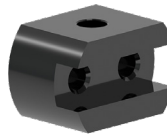
Parallel Bar Clamp  
HPM-L



Flex Clamp Chain Blocks  
HPM-M

- Includes chains





Mounting Block  
HPM-D

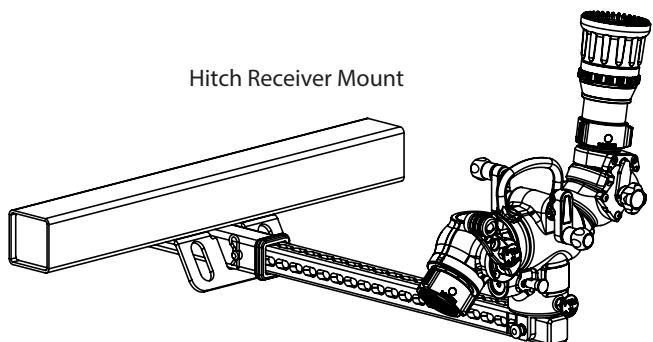
- Install in pre-planned coverage areas
- Requires HPM-E Cross-Pin Mount



Cross-Pin Mount  
HPM-E

- Standard Hemisphere mount
- Used with HPM-N Backbone or HPM-D Mounting Block

MODEL	TYPE OF JAWS	WEIGHT
HPM-J	I BEAM CLAMP	3.5 kg
HPM-K	TANK LIP CLAMP	4.8 kg
HPM-L	PARALLEL BAR CLAMP	4.1 kg
HPM-M	FLEX CLAMP CHAIN BLOCKS	6.4 cm
HPM-N	BACKBONE HITCH MOUNT	4.3 kg
HPM-B	FIXED MOUNT	0.9 kg
HPM-D	MOUNTING BLOCK	0.4 cm
HPM-E	CROSS PIN MOUNT	1.0 kg



## Frequently Purchased Hemisphere Transportable Monitor Nozzles, Foam Attachments and Accessories



### MASTER STREAM NOZZLES FOR PORTABLE MONITORS

The full line of Master Stream Nozzles can be found in the Master Stream Nozzles Manual section.

MODEL	TYPE	INLET	COUPLING	FLOW	LENGTH	WEIGHT
MD12A	Max-Force Dual Pressure	65 mm NH	Rigid Rocker Lug	400-2000 l/min 7 bar / 4 bar	22.9 cm	3.0 kg
MD18A	Max-Matic Automatic	65 mm NH	Rigid Rocker Lug	400-2000 l/min 7 bar	22.9 cm	2.9 kg
MD17A	Max-Matic Automatic	65 mm NH	Rigid Rocker Lug	400-2000 l/min 6 bar	22.9 cm	2.9 kg
MD14A	Max-Flow Fixed Gallonage	65 mm NH	Rigid Rocker Lug	2000 l/min 7 bar	22.9 cm	2.9 kg
MD22A	Max-Force Dual Pressure	65 mm BSP	Rigid Rocker Lug	400-2000 l/min 7 bar/4 bar	22.9 cm	3.0 kg



### PORTABLE MONITOR FOAM ATTACHMENT

The full line of foam attachments can be found in the Foam Equipment section.

MODEL	FITS NOZZLE	LENGTH	WEIGHT
FJ-MX-MD	Max-Series and ZN Series Industrial Nozzles	41.1 cm	2.1 kg



### VORTEX FOR PORTABLE MONITORS

The full line of Vortex can be found in the Master Stream Nozzles Manual section.

MODEL	INLET	OUTLET	OPERATING SYSTEM	MAXIMUM PRESSURE	FLOW	LENGTH	WEIGHT
SVJ-NJNJ	65 mm NH	65 mm NH	MANUAL	21 bar	up to 4500 l/min	21.3 cm	2.5 kg



### SMOOTHBORE TIPS FOR PORTABLE MONITORS

The full line of Smoothbore Tips can be found in the Master Stream Nozzles Manual section.

MODEL	INLET FEMALE	ORIFICE	LENGTH	WEIGHT
JSST10	65 mm NH	29 mm bore to 38 mm threaded male outlet	15.0 cm	0.8 kg
JSST11	65 mm NH	32 mm bore to 38 mm threaded male outlet	15.0 cm	0.8 kg
JSSTP-NF	38 mm NH	Smoothbore thread protector	2.2 cm	0.1 kg
MST-2NJ	65 mm NH	32 mm, 29 mm, and 25 mm	24.5 cm	1.0 kg
MST-3NJ	65 mm NH	38, 32 and 25 mm	30.0 cm	1.0 kg
MST-5NJ	65 mm NH	45 mm, 38 mm, and 35 mm	29.7 cm	1.4 kg



## HEMISPHERE™ Packages

HEMISPHERE Combination Packages combine the most often purchased components into a simple-to-order package. Contact TFT customer service for assistance.



Product examples shown. See chart for specific product package combinations.

HEMISPHERE PACKAGE MODEL	MONITOR	MOUNTING OPTION	NOZZLE
HPM-32-NJ	HPM111A HEMISPHERE MONITOR 65 mm NH INLET & OUTLET	HPM-A I-BEAM CLAMP 52 mm HITCH MOUNT	MD12A MAX-FORCE TIP 65 mm FEMALE
HPM-62-NJ	HPM111A HEMISPHERE MONITOR 65 mm NH INLET & OUTLET	HPM-H FLEX CLAMP 52 mm HITCH MOUNT	MD12A MAX-FORCE TIP 65 mm FEMALE
HPMG-32-NJ	HPMG111A HEMISPHERE MONITOR W/ GAUGE 65 mm NH INLET & OUTLET	HPM-A I-BEAM CLAMP 52 mm HITCH MOUNT	MD12A MAX-FORCE TIP 65 mm FEMALE



# MONITORS & WATER CANNONS

REMOTE CONTROL & MANUAL

Our monitor lines cover a wide range of models for wildland, municipal, and industrial firefighting. Flows range from 40 l/min to over 30,000 l/min in both RC and manual versions. Features include compact designs, low friction loss and options to make RC controls and programming simple and intuitive. Monitors have a wide range of nozzle options in various flows and pressures.

A close-up photograph of a black, octagonal control panel for a TTT FLEX monitor. The panel features the TTT logo at the top, the word 'FLEX' in large, bold, white letters in the center, and the website 'tft.com' in smaller white text below it. The panel is mounted on a grey metal structure. In the background, a blue and white 'MASTER STREAM' nozzle is visible.

A close-up photograph of a black, rectangular control panel for a TTT FLEX monitor. The panel features the word 'FLEX' in large, bold, white letters at the top, followed by the TTT logo and the text 'TASK FIGHTING TECHNOLOGY' and 'FIRE FIGHTING' in smaller white text below it. The panel is mounted on a grey metal structure.

# NEW

## Flex™ Monitors

Integrating feedback from the fire service and using proven water path designs developed for the Blitzfire portable monitor, we've built you a masterstream monitor that checks all the boxes for performance, reliability, serviceability, and flexibility. With fewer bends for the water to navigate, Flex delivers best-in-class friction loss while having the most compact size so you can put out the fire with confidence and ease.

Models Range From

### 4750 - 7600 l/min

CAN-Bus J1939  
Absolute Positioning  
Patented  
Other patents pending

Watch Now



Friction	Loss
.21 bar	- 4750 LPM
.28 bar	- 5700 LPM
.55 bar	- 7600 LPM



**INTUITIVE  
& CUSTOMIZABLE  
REMOTE CONTROLS  
& PROGRAMMING**

Manual



Remote Control



Tiller



FOR THE MOST UP-TO-DATE PRICING AND PRODUCT INFORMATION VISIT [TFT.COM](http://TFT.COM)



## FLEX MOUNTED MONITORS

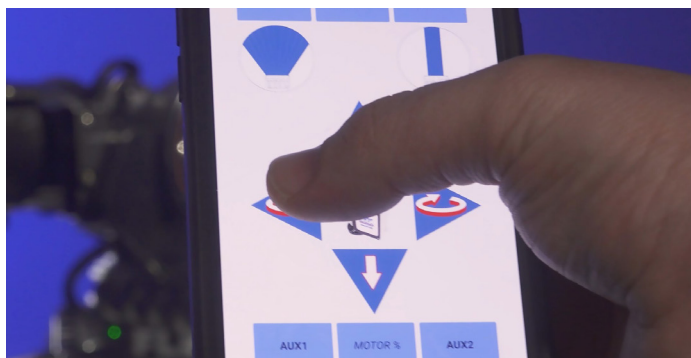


### Articulating Waterway

The patented waterway eliminates excessive curves and bends while giving you total control of your water stream.

Flex is compatible with your favorite masterstream nozzles and also works with the Vortex and your favorite set of stacked tips!

### Lowest Friction Loss



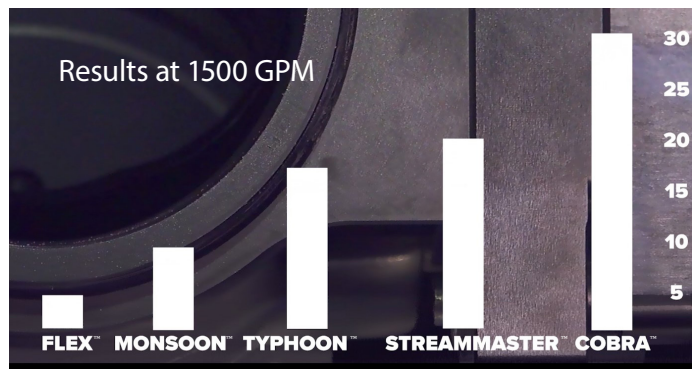
### Easy to Program, Use, and Service

A free app allows easy programming for your custom needs and pairing with other RC devices.

Custom program buttons, stops, and park.

Controllers have customizable buttons for specific operations. Programming can be saved for multiple installations or future unit installation.

The app also allows for simple diagnostics, troubleshooting, and program updates without removing hardware.



Flex integrates proven water path design originally developed for the Blitzfire portable monitor that delivers amazing stream reach and the lowest friction loss available from any brand at only a .28 bar loss while flowing 5678 LPM.

Stream Master™ and Cobra™ are trademarks of their respective owners and are not affiliated, endorsed, connected or sponsored in any way to Task Force Tips or any of our products or brands.



### SmartPlex™ Controls & Pairing

Quickly scan and pair your Flex to any Extend-A-Gun, VUM, or multiplex system on your apparatus.



### Customizable Controls

Change your labeling for any monitor function, lights, cameras, and other accessories.

## 4X RC Options



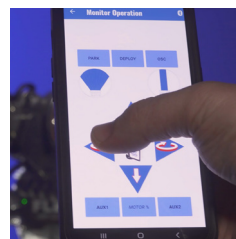
Panel Mount



Handheld



Direct Mount



Mobile App



## FLEX MOUNTED MONITORS

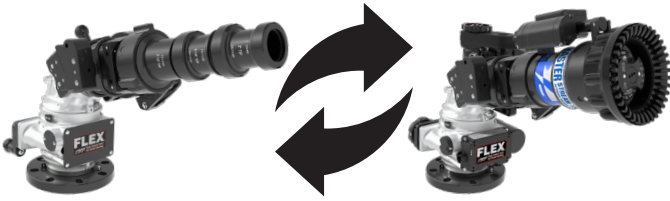


### Compact Size, Big Flow

Flex easily fits in the dunnage, on an aerial ladder or platform, or on the back of the body.

**Stow Height: 423 mm**  
**Swing Radius: 150 mm**

Flex easily fits where competitive models don't and it's compatible with 75 mm and 100 mm waterways. It's also compatible with Extend-A-Gun extendable waterways.

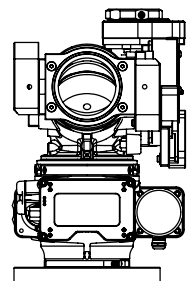
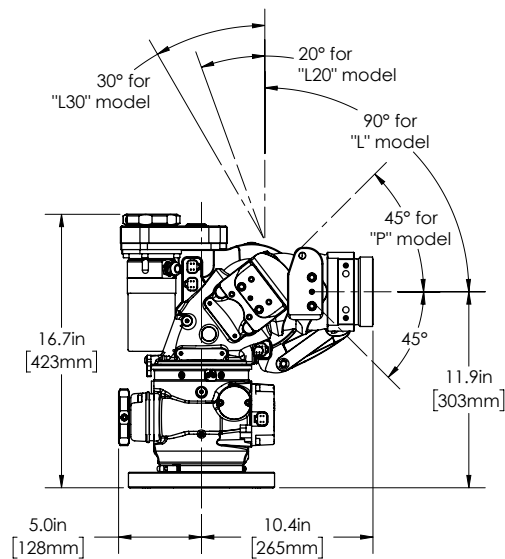
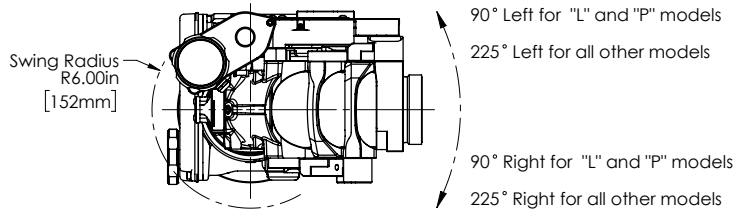


MODEL	ACTUATION	INLET	OUTLET
YN-E15A	ELECTRIC	75 mm ANSI 150	65 mm NH Male
YN-E15A-P	ELECTRIC	75 mm ANSI 150	65 mm NH Male
YN-E21A	ELECTRIC	100 mm ANSI 150/DN100 PN16	90 mm NH Male
YN-E21A-L	ELECTRIC	100 mm ANSI 150/DN100 PN16	90 mm NH Male
YN-E21A-L30	ELECTRIC	100 mm ANSI 150/DN100 PN16	90 mm NH Male
YN-E21A-P	ELECTRIC	100 mm ANSI 150/DN100 PN16	90 mm NH Male
YN-E25A	ELECTRIC	100 mm ANSI 150/DN100 PN16	65 mm NH Male
YN-EL1A	ELECTRIC	TFT CODE-RLF*	90 mm NH Male
YN-EL5A	ELECTRIC	TFT CODE-RLF*	65 mm NH Male
YN-EP1A	ELECTRIC	TFT CODE-RPF**	90 mm NH Male
YN-EP1A-L	ELECTRIC	TFT CODE-RPF**	90 mm NH Male
YN-EP1A-L20	ELECTRIC	TFT CODE-RPF**	90 mm NH Male
YN-EP1A-P	ELECTRIC	TFT CODE-RPF**	90 mm NH Male
YN-M21A	CRANKS	100 mm ANSI 150/DN100 PN16	90 mm NH Male
YN-M21A-Z	CRANKS	100 mm ANSI 150/DN100 PN16	90 mm NH Male
YN-M31A	CRANKS	150 mm ANSI 150	90 mm NH Male
YN-MP1A	CRANKS	TFT CODE-RPF**	90 mm NH Male
YN-T21A-Z	TILLER	100 mm ANSI 150/DN100 PN16	90 mm NH Male
YN-T25A-Z	TILLER	100 mm ANSI 150/DN100 PN16	65 mm NH Male

### Configurable & Upgradeable

Flex delivers for today and in the future by bringing a new level of configurability. Using a single monitor design, choose from a 75 mm or 100 mm waterway for flow rates from 4750-7600 l/min.

Manual, RC and Tiller models are available with a wide range of nozzle options.




## LEGACY TO FLEX EQUIVALENTS - MONITORS

LEGACY MODELS				FLEX REPLACEMENT MODELS	
MODEL #	MODEL NAME	INLET	OUTLET	MODEL #	ACCESSORY
XFIH-E11A	HURRICANE RC	75 mm ANSI 150	65 mm NH Male	YN-E15A	
XFIH-E21A	HURRICANE RC	100 mm ANSI 150/DN100 PN16	65 mm NH Male	YN-E25A	
XFIH-EL1A	HURRICANE RC	TFT CODE-RLF*	65 mm NH Male	YN-EL5A	
XFIH-EL2A	HURRICANE RC	TFT CODE-RLF*	65 mm BSP Male	YN-EL6A	
Y4-E15A	MONSOON RC	75 mm ANSI 150	65 mm NH Male	YN-E15A	
Y4-E15A-P-01	MONSOON RC	75 mm ANSI 150	65 mm NH Male	YN-E15A-P	
Y4-E21A	MONSOON RC	100 mm ANSI 150/DN100 PN16	75 mm NH Male	YN-E21A	
Y4-E21A-L	MONSOON RC	100 mm ANSI 150/DN100 PN16	75 mm NH Male	YN-E21A-L	YC-COMM
Y4-E21A-L-01	MONSOON RC	100 mm ANSI 150/DN100 PN16	75 mm NH Male	YN-E21A-L	
Y4-E21A-L-02	MONSOON RC	100 mm ANSI 150/DN100 PN16	75 mm NH Male	YN-E21A-L	
Y4-E21A-P-01	MONSOON RC	100 mm ANSI 150/DN100 PN16	75 mm NH Male	YN-E21A-P	
Y4-E25A	MONSOON RC	100 mm ANSI 150/DN100 PN16	65 mm NH Male	YN-E25A	
Y4-E55A	MONSOON RC	100 mm ANSI 150/DN100 PN16	65 mm NH Male	YN-E21A	
Y4-EL1A	MONSOON RC	TFT CODE-RLF*	75 mm NH Male	YN-EL1A	
Y4-EL5A	MONSOON RC	TFT CODE-RLF*	65 mm NH Male	YN-EL5A	
Y4-EP1A	MONSOON RC	TFT CODE -RPF**	75 mm NH Male	YN-EP1A	
Y4-EP1A-L	MONSOON RC	TFT CODE -RPF**	75 mm NH Male	YN-EP1A-L	YC-COMM
Y4-EP1A-L-01	MONSOON RC	TFT CODE -RPF**	75 mm NH Male	YN-EP1A-L	
Y4-EP1A-P-01	MONSOON RC	TFT CODE -RPF**	75 mm NH Male	YN-EP1A-P	
Y4-EP1A-P-05	MONSOON RC	100 mm ANSI 150/DN100 PN16	75 mm NH Male	YN-EP1A-P	
Y4-M21A	MONSOON CRANKS	100 mm ANSI 150/DN100 PN16	75 mm NH Male	YN-M21A	
Y4-M21A-Z	MONSOON CRANKS	100 mm ANSI 150/DN100 PN16	75 mm NH Male	YN-M21A-Z	
Y4-M31A	MONSOON CRANKS	150 mm ANSI 150	75 mm NH Male	YN-M31A	
Y4-MP1A	MONSOON CRANKS	TFT CODE -RPF**	75 mm NH Male	YN-MP1A	
Y4-MP1A-P-01	MONSOON CRANKS	TFT CODE -RPF**	75 mm NH Male	YN-MP1A	
Y4-T21A-Z	MONSOON TILLER	100 mm ANSI 150/DN100 PN16	75 mm NH Male	YN-T21A-Z	
Y4-T25A-Z	MONSOON TILLER	100 mm ANSI 150/DN100 PN16	65 mm NH Male	YN-T25A-Z	
Y5-E21A	TYPHOON RC	100 mm ANSI 150/DN100 PN16	75 mm NH Male	YN-E21A	
Y5-E21A-L	TYPHOON RC	100 mm ANSI 150/DN100 PN16	75 mm NH Male	YN-E21A-L	YC-COMM
Y5-E21A-L-01	TYPHOON RC	100 mm ANSI 150/DN100 PN16	75 mm NH Male	YN-E21A-L	
Y5-E21A-L30	TYPHOON RC	100 mm ANSI 150/DN100 PN16	75 mm NH Male	YN-E21A-L30	YC-COMM
Y5-E21A-L45	TYPHOON RC	100 mm ANSI 150/DN100 PN16	75 mm NH Male	YN-E21A-L30	YC-COMM
Y5-EA1A-L	TYPHOON RC	TFT CODE -RPF**	75 mm NH Male	YN-EP1A-L	YC-COMM
Y5-EA1A-L20	TYPHOON RC	TFT CODE -RPF**	75 mm NH Male	YN-EP1A-L20	YC-COMM
Y5-EB1A-L	TYPHOON RC	100 mm ANSI 150/DN100 PN16	75 mm NH Male	YN-E21A-L	YC-COMM
Y5-EB1A-L302	TYPHOON RC	100 mm ANSI 150/DN100 PN16	75 mm NH Male	YN-E21A-L30	YC-COMM
Y5-EL1A	TYPHOON RC	TFT CODE-RLF*	75 mm NH Male	YN-EL1A	
Y5-EP1A	TYPHOON RC	TFT CODE -RPF**	75 mm NH Male	YN-EP1A	
Y5-EP1A-L	TYPHOON RC	TFT CODE -RPF**	75 mm NH Male	YN-EP1A-L	YC-COMM
Y5-EP1A-L20	TYPHOON RC	TFT CODE -RPF**	75 mm NH Male	YN-EP1A-L20	YC-COMM

## LEGACY TO FLEX EQUIVALENTS - ELECTRONICS

LEGACY MODEL #	MODEL NAME	FLEX MODEL
Y4E-COMM	COMMUNICATION INTERFACE BOX	YC-COMM
YE-REMAUX	REMOTE AUX FUNCTION RELAY INTERFACE	YC-COMM
YE-INPUTS1	ELECTRONICS INTERFACE BOX	YC-COMM
YE-INPUTS2	ELECTRONICS INTERFACE BOX	YC-COMM
Y4E-CT-100	TETHER OPERATOR STATION-100' LONG CABLE	YC-CT-30
Y4E-CT-30	TETHER OPERATOR STATION - 30' LONG CABLE	YC-CT-30
Y4E-CT-30-D	TETHER OP STATION WITH DISPLAY - 30'	YC-CT-30
YE-RF-RAD-24	WIRELESS RADIO AND ANTENNA 2.4 GHZ	YC-RF-RAD-24
YE-RF-RAD-9	WIRELESS RADIO AND ANTENNA 900 MHZ	YC-RF-RAD-24
YE-RF-RAD-92	WIRELESS RADIO AND ANTENNA 920 MHZ	YC-RF-RAD-24
Y4E-RP	PANEL MOUNT MONITOR OPERATOR STATION	YC-RP
Y4E-RP-D	PANEL MOUNT MON OP STATION WITH DISPLAY	YC-RP
YE-RF-2400	WIRELESS OPERATOR STATION 2.4 GHZ	YC-RF-24
YE-RF-2400-D	WIRELESS OPERATOR STATION WITH DISPLAY	YC-RF-24
YE-RF-900	WIRELESS OPERATOR STATION 900 MHZ	YC-RF-24
YE-RF-900-D	WIRELESS OP STATION 900 MHZ WITH DISPLAY	YC-RF-24
YE-RF-920-D	WIRELESS OPERATOR STATION WITH DISPLAY	YC-RF-24
Y4E-TS	TOGGLE SWITCH OPERATOR STATION	YC-TS

## FLEX ELECTRONIC CONTROLLER OPTIONS

PHOTO	MODEL	DESCRIPTION	LENGTH	WEIGHT
	YC-RF-RAD-24	Wireless Monitor Module	9.1 x 12.7 x 2.6 cm	0.29 kg
	YC-RF-24	Wireless Handheld Controller + Dock	8.3 x 14.7 x 12.9 cm	0.82 kg
	YC-RM	Panel Monitor Module	9.1 x 12.7 x 3.9 cm	0.17 kg
	YC-RFRM	Wireless and Panel Module Kit	9.1 x 12.7 x 7.5 cm	0.48 kg
	YC-RP	Pump Panel	9.1 x 12.7 x 3.9 cm	0.17 kg
	YC-TS	Toggle Switch	9.1 x 12.7 x 3.9 cm	0.17 kg
	YC-CT-30	Tether Handheld Controller + Docking Station	8.3 x 14.7 x 12.9 cm	2.05 kg

## FLEX ELECTRONIC CANBUS ACCESSORIES

MODEL	DESCRIPTION	LENGTH	WEIGHT
YC-COMM	Monitor Communication Interface Box. For controlling TFT RC monitor from other inputs such as toggle switches. Two relays that can operate lights, interface to a valve controller or a valve directly.	17.1 x 12.1 x 5.5 cm	0.9 kg
YE-CAN2	Converts CANbus signals into serial communications for controlling a TFT RC monitor or valve. Use to retrofit a FLEX monitor with Legacy Extend-A-Guns and VUMs.	13.7 x 4.2 x 3.5 cm	85 gr

## EF1™ RC 40 to 750 l/min

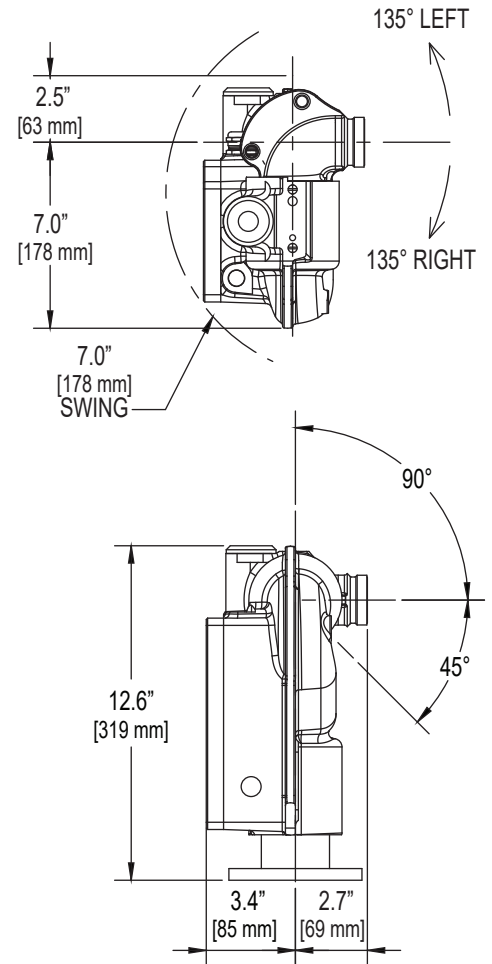
The EF1 RC monitor is extremely compact, yet it has a large 38 mm waterway, capable of flowing up to 750 l/min, making it the ideal forestry bumper turret. Waterway with turning vane has only 1.3 bar friction loss at 750 l/min. Elevation range is 90° above horizontal to 45° below. Horizontal travel is 270° (135° either side of a center position). Field changeable horizontal travel stops to give 180° (90° either side of a center position). Designed for 12 VDC or 24 VDC operation, selection is automatic. The EF1 RC monitor optional controllers (sold separately) allow for monitor horizontal rotation, elevation, nozzle pattern, programmable PARK and Oscillate. The motor control circuits use position encoders and current limiting to protect the drive train at the ends of travel. Unit has waterproof factory installed plug on power wire for easy removal or reinstallation. Electric drives and control box are waterproof. Main waterway made from hardcoat anodized aluminum. Silver powder coat finish. Various inlets are available. Contact factory for details about wireless operation.



Y1-E31A  
SAMPLE PART NUMBER  
7.7 kg

- Excellent wildland and interface monitor
- Compact for front bumper mounting
- Enclosed motors and electronics
- External wiring is reduced to a minimum
- Single plug for quick installation
- IP65 ingress protection on electronics

Most popular models listed below. See price list or contact TFF customer service for other available models.



MODEL	INLET	OUTLET
Y1-E22A	38 mm BSPT F	38 mm NH M
Y1-E31A	38 mm FLANGE/1.5" NPT F	38 mm BSP M
Y1-E42A	38 mm NPT F	38 mm NH M
Y1-E82A	52 mm NPT F	38 mm NH M
Y1-EE2A	52 mm NPT F w/QUICK CONNECT	38 mm NH M
Y1-EH2A	TFT CODE RLF w/QUICK CONNECT	38 mm NH M



## Frequently Purchased EF1 Monitor Nozzles and Accessories



### SMOOTHBORE NOZZLES 38 mm)

The full line of Smoothbore Nozzles can be found in the Handheld Nozzle section.

MODEL	INLET FEMALE	ORIFICE	LENGTH	WEIGHT
FSS5	38 mm NH	13 mm	10.2 cm	0.2 kg
FSS7	38 mm NH	19 mm	12.7 cm	0.3 kg
FSS8	38 mm NH	22 mm	12.7 cm	0.3 kg
FSS9	38 mm NH	25 mm	12.7 cm	0.3 kg



### BUBBLE CUP ER NOZZLE FOR EF1 RC MONITORS

The full line of Fixed and RC Monitor Nozzles can be found in the Fixed and RC Monitor Nozzle section.

MODEL	INLET	FLOW	OPERATING PRESSURE	SMART STREAM TECHNOLOGY	LENGTH	WEIGHT
F2060BCER	38 mm NH	75 and 230 l/min	7 bar	YES	29.0 cm	2.6 kg
F2095BCER	38 mm NH	75 and 360 l/min	7 bar	YES	29.0 cm	2.6 kg



### ULTIMATIC ER NOZZLE FOR EF1 RC MONITORS

The full line of Fixed and RC Monitor Nozzles can be found in the Fixed and RC Monitor Nozzle section.

MODEL	INLET	FLOW	OPERATING PRESSURE	SMART STREAM TECHNOLOGY	LENGTH	WEIGHT
B-TO-ERP*	38 mm NH	40-500 l/min	7 bar	YES	26.0 cm	2.9 kg
BL-TO-ERP*	38 mm NH	40-380 l/min	5 bar	YES	26.0 cm	2.9 kg
B-TOS-ERP	38 mm NH	60-450 l/min	7 bar	YES	25.1 cm	2.7 kg

\* When installing B-TO-ERP, B-TOS-ERP, or BL-TO-ERP nozzle on EF1 RC monitor, please request longer nozzle cable when ordering.



### REMOTE CONTROL ACCESSORIES FOR EF1 RC MONITORS

The full line of Remote Control Accessories can be found in the Remote Control Accessories section.

MODEL	DESCRIPTION	LENGTH	WEIGHT
Y4E-JS-52	Joystick Controller for Standard Valve	25.40 x 12.1 x 12.1 cm	2.30 kg
Y4E-JS-GT	Joystick Controller for Gateable Valve	25.40 x 12.1 x 12.1 cm	2.30 kg
YE-VK-PF	38 mm NPT Standard Valve	12.20 x 18.0 x 23.9 cm	3.80 kg
YE-VK-PH	52 mm NPT Standard Valve	13.70 x 18.0 x 25.4 cm	4.00kg
YE-VKG-PF	38 mm NPT Gateable Valve	12.2 x 18.0 x 23.9 cm	4.00kg
YE-VKG-PH	52 mm NPT Gateable Valve	13.7 x 18.0 x 25.4 cm	4.0kg

## TORNADO® RC 2000 l/min

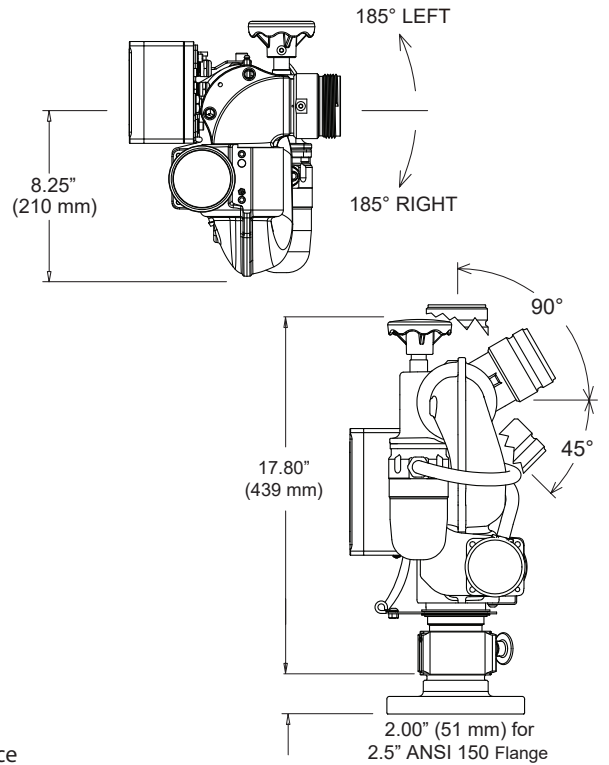


The Tornado RC is very compact, yet it has a large 2-1/4" waterway, capable of flowing up to 2000 l/min, making it the ideal bumper turret. Waterway with turning vane has only 1.3 bar friction loss at 2000 l/min. Elevation range is 90° above horizontal to 45° below. Field changeable elevation travel stops at 45° above and 20° below horizontal. Horizontal travel is 370° (185° either side of a center position). Field changeable horizontal travel stops to give 180° (90° either side of a center position). Designed for 12 VDC or 24 VDC operation, selection is automatic. The Tornado RC comes with a control panel on the monitor for horizontal rotation, elevation, nozzle pattern, programmable PARK and Oscillate. The motor control circuits use position encoders and current limiting to protect the drive

train at the ends of travel. Unit has waterproof factory installed plug on power wire for easy removal or reinstallation. Knobs for manual override are provided on the horizontal rotation and elevation drive. Electric drives and control box are waterproof. Main waterway made from hardcoat anodized ANSI 356-T6 aluminum. Silver powder coat finish inside and out. Various inlets are available. Locking quick connect inlets allows for quick removal of the Tornado for installations such as bumper mounting, where the monitor must be removed to tilt the cab of the truck. For wireless operation, purchase wireless operator station and radio/antenna found in the RC Monitor Controls and Accessories section of the catalog.



Most popular models listed below. See price list or contact TFT customer service for other available models.



MODEL	INLET	OUTLET
Y2-E02A	75 mm FLANGE w/QUICK CONNECT	65 mm BSP M
Y2-E62A	65 mm Flange/2.5" NPT F w/Quick Connect	65 mm BSP M
Y2-E63A	65 mm Flange/2.5" NPT F w/Quick Connect	38 mm BSP M
Y2-E84A	52 mm NPT F w/Quick Connect	38 mm NH M

## Frequently Purchased TORNADO RC Monitor Nozzles 38 mm Outlet Series



### SMOOTHBORE NOZZLES 1.5" (38 mm)

The full line of Smoothbore Nozzles can be found in the Handheld Nozzle section.

MODEL	INLET FEMALE	ORIFICE	LENGTH	WEIGHT
FSS9	38 mm NH	25 mm	12.7 cm	0.3 kg
FSS13-CAFS	38 mm NH	CAFS STRAIGHT TIP 35 mm	26.5 cm	0.8 kg



### ULTIMATIC ER NOZZLE FOR TORNADO RC MONITORS

The full line of Fixed and RC Monitor Nozzles can be found in the Fixed and RC Monitor Nozzle section.

MODEL	INLET	FLOW	OPERATING PRESSURE	SMART STREAM TECHNOLOGY	LENGTH	WEIGHT
B-TO-ERP	38 mm NH	40-500 l/min	7 bar	YES	26.0 cm	2.9 kg
BL-TO-ERP	38 mm NH	40-380 l/min	5 bar	YES	26.0 cm	2.9 kg
B-TOS-ERP	38 mm NH	60-450 l/min	7 bar	YES	25.1 cm	2.7 kg



### MID-MATIC ER Nozzle

The full line of Fixed and RC Monitor Nozzles can be found in the Fixed and RC Monitor Nozzle section.

MODEL	INLET	FLOW	OPERATING PRESSURE	SMART STREAM TECHNOLOGY	LENGTH	WEIGHT
HM-TO-ERP	38 mm NH	260-760 l/min	7 bar	YES	24.6 cm	2.9 kg



### MID-FORCE ER Nozzle

The full line of Fixed and RC Monitor Nozzles can be found in the Fixed and RC Monitor Nozzle section.

MODEL	INLET	FLOW	OPERATING PRESSURE	SMART STREAM TECHNOLOGY	LENGTH	WEIGHT
HMD-TO-ERP	38 mm NH	260-760 l/min	7/5 bar	YES	24.6 cm	2.9 kg

## Frequently Purchased Tornado RC Monitor Nozzles 65 mm Outlet Series



### MAX SERIES NOZZLES FOR RC MONITORS

The full line of Master Stream Nozzles can be found in the Master Stream Nozzles section.

MODEL	INLET (SWIVEL)	FLOW	OPERATING PRESSURE	LENGTH	WEIGHT
MD-ERP12A	65 mm NH FEMALE	400-2000 l/min	4/7 bar	25.9 cm	4.6 kg
MD-ERP18A	65 mm NH FEMALE	400-2000 l/min	7 bar	25.9 cm	4.5 kg
MD-ERP28A	65 mm BSP FEMALE	400-2000 l/min	7 bar	25.9 cm	4.5 kg



### FOAM ATTACHMENTS

The full line of foam attachments can be found in the Foam Equipment section.

MODEL	FITS NOZZLE	FRONT END	DIAMETER	LENGTH	WEIGHT
FJ-U	Ultimatic	Flexible Rubber	NA	24.8 cm	0.5 kg

MODEL	FITS NOZZLE	LENGTH	WEIGHT
FJ-MX-MD	Max-Series Nozzles	41.1 cm	2.1 kg

## Frequently Purchased Tornado RC Monitor Accessories



### REMOTE CONTROL ACCESSORIES FOR TORNADO RC MONITORS

The full line of Remote Control Accessories can be found in the Remote Control Accessories section.

MODEL	DESCRIPTION	LENGTH	WEIGHT
Y4E-JS-52	Joystick Controller for Standard Valve	25.40 x 12.1 x 12.1 cm	2.30 kg
Y4E-JS-GT	Joystick Controller for Gateable Valve	25.40 x 12.1 x 12.1 cm	2.30 kg
YE-VK-PF	38 mm NPT Standard Valve	12.20 x 18.0 x 23.9 cm	3.80 kg
YE-VK-PH	52 mm NPT Standard Valve	13.70 x 18.0 x 25.4 cm	4.00kg
YE-VKG-PF	38 mm NPT Gateable Valve	12.2 x 18.0 x 23.9 cm	4.00kg
YE-VKG-PH	52 mm NPT Gateable Valve	13.7 x 18.0 x 25.4 cm	4.00kg
Y4E-DISP	MONITOR POSITION DISPLAY	10.8 x 10.8 x 3.3 cm	1.20 kg
YE-LK12-KIT	LED SEARCH-LIGHT KIT	10.9 cm Height	0.8 kg





TFT's TORNADO RC compact industrial monitor is designed for both fire and industrial applications. This industrial version is certified to ingress protection IP66/67 to limit penetration of dust and moisture into the electronics, ball races and gears. Models are remotely operated and are capable of flowing up to 2000 l/min. Heavy duty seals and O-rings help mitigate contamination in applications like mining and road construction.

- High performance seals in both the vertical and horizontal axis minimize penetration of dust and moisture in bearing races
- Override knobs have been replaced with protective caps and seals to minimize penetration of dust and moisture in the worm gear area
- 340° maximum total rotation for the horizontal axis
- Horizontal axis has infinitely adjustable travel stops

### Worldwide Approval and Certifications

from agencies around the world, as well as being a Registered Firm to ISO 9001:2015 by Underwriter's. Certificates for specific models are available for review at [tft.com/documents](http://tft.com/documents), and include approvals of remote controlled models used in potentially hazardous atmospheres as well as country specific requirements.

All products are designed, developed, and manufactured in the United States of America at our Valparaiso, Indiana world headquarters.

Operating voltage of 12 or 24 VDC, selection is automatic. Hardcoat aluminum, powder coated inside and out. Programmable stow, and vertical and horizontal oscillation. 135° vertical range (-45° to +90°) 12.3 kg.



MODEL	INLET	OUTLET
Y2-E01A-S	3" ANSI 150 Flange	65 mm NHM
Y2-E02A-S	3" ANSI 150 Flange	65 mm BSPM
Y2-E03A-S	3" ANSI 150 Flange	38 mm BSPM
Y2-E04A-S	3" ANSI 150 Flange	38 mm NHM
Y2-EG4A-S	DN65 TABLE E	38 mm NHM

Frequently Purchased TORNADO RC Dust Mitigation Monitor Nozzles found on next page.

## Frequently Purchased TORNADO RC Dust Mitigation Monitor Nozzles 38 mm Outlet Series



### SMOOTHBORE NOZZLES 1.5" (38 mm) FOR RC MONITORS

The full line of Smoothbore Nozzles can be found in the Handheld Nozzle section.

MODEL	INLET FEMALE	ORIFICE	LENGTH	WEIGHT
FSS9	38 mm NH	25 mm	12.7 cm	0.3 kg
FSNYSTACK	38 mm NH	24 mm and 13 mm	16.9 cm	0.4 kg



### ULTIMATIC ER NOZZLE FOR RC MONITORS

The full line of Fixed and RC Monitor Nozzles can be found in the Fixed and RC Monitor Nozzle section.

MODEL	INLET	FLOW	OPERATING PRESSURE	SMART STREAM TECHNOLOGY	LENGTH	WEIGHT
B-TO-ERP	38 mm NH	40-500 l/min	7 bar	YES	26.0 cm	2.9 kg
BL-TO-ERP	38 mm NH	40-380 l/min	5 bar	YES	26.0 cm	2.9 kg



### MID-MATIC ER NOZZLE FOR RC MONITORS

The full line of Fixed and RC Monitor Nozzles can be found in the Fixed and RC Monitor Nozzle section.

MODEL	INLET	FLOW	OPERATING PRESSURE	SMART STREAM TECHNOLOGY	LENGTH	WEIGHT
HM-TO-ERP	38 mm NH	260-760 l/min	7 bar	YES	24.6 cm	2.9 kg



### MID-FORCE ER NOZZLE FOR RC MONITORS

The full line of Fixed and RC Monitor Nozzles can be found in the Fixed and RC Monitor Nozzle section.

MODEL	INLET	FLOW	OPERATING PRESSURE	SMART STREAM TECHNOLOGY	LENGTH	WEIGHT
HMD-TO-ERP	38 mm NH	260-760 l/min	7/5 bar	YES	24.6 cm	2.9 kg

## Frequently Purchased TORNADO RC Dust Mitigation Monitor Remote Control Accessories



### REMOTE CONTROL ACCESSORIES FOR RC MONITORS

The full line of Remote Control Accessories can be found in the Remote Control Accessories section.

MODEL	DESCRIPTION	LENGTH	WEIGHT
Y4E-JS-52	Joystick Controller for Standard Valve	25.40 x 12.1 x 12.1 cm	2.30 kg
YE-VK-PH	52 mm NPT Standard Valve	13.70 x 18.0 x 25.4 cm	4.00kg
YE-VK-PJ	65 mm NPT Standard Valve	17.0 x 21.8 x 34.8 cm	13.20 kg

## Frequently Purchased TORNADO RC Dust Mitigation Monitor Nozzles 65 mm Outlet Series



### MAX SERIES NOZZLES FOR RC MONITORS

The full line of Master Stream Nozzles can be found in the Master Stream Nozzles section.

MODEL	INLET (SWIVEL)	FLOW	OPERATING PRESSURE	LENGTH	WEIGHT
MD-ERP12A	65 mm NH FEMALE	400-2000 l/min	4/7 bar	25.9 cm	4.6 kg
MD-ERP18A	65 mm NH FEMALE	400-2000 l/min	7 bar	25.9 cm	4.5 kg
MD-ERP28A	65 mm BSP FEMALE	400-2000 l/min	7 bar	25.9 cm	4.5 kg



### FOAM ATTACHMENTS

The full line of foam attachments can be found in the Foam Equipment section.

MODEL	FITS NOZZLE	LENGTH	WEIGHT
FJ-MX-MD	Max-Series and ZN Series Industrial Nozzles	16.20" (41.1 cm)	4.6 lb (2.1 kg)

**TORNADO® MANUAL MONITOR**  
**2000 l/min Compact Monitor**

The Tornado is very compact, yet it has a large 57mm waterway, capable of flowing up to 2000 l/min, making it the ideal manual turret. Waterway with turning vane has only 1.3 bar friction loss at 2000 l/min. Elevation range is 90° above horizontal to 45° below. Has 360° continuous horizontal rotation. Main waterway made from hard coat anodized ANSI 356-T6 aluminum. Silver powder coat finish inside and out. Various inlets are available.



MODEL	INLET	OUTLET
Y2-T01A	75 mm FLANGE	65 mmNH M
Y2-T14A	65 mm NH F	38 mm NH M
Y2-T61A	65 mm FLANGE/65 mm NPT F	65 mm NH M
Y2-T81A	52 mm NPT F	65 mm NH M

Most popular models listed. See price list or contact TFT customer service for other available models.

## PROTECTOR™ FIXED STATION MONITOR 4750 l/min

The Task Force Tips' Protector is a simple and rugged fixed station monitor with many unique features. Its patented waterway gives low friction loss and delivers water to the nozzle with fewer twists and turns than a conventional monitor. The optional built-in on/off valve with position indicator eliminates the need to add a costly valve to the monitor installation. The Protector is capable of flowing up to 4750 l/min while maintaining a FULL 360° rotational ability. The lever-action rotational lock is activated in one motion, visually confirmed, and securely holds the monitor's horizontal position. The Protector can be directly bolted to many common pipe flanges.

The outlet is available with various 65 mm male threads. The simple and basic design requires no grease application or other maintenance. Swiveling elements and seals (including valve seat) can be replaced within a few minutes with common hand tools. Threaded ports 6 mm NPT are provided for drain valve (included) and pressure gauge installation. Maximum pressure is 17 bar. The Protector is hardcoat anodized ANSI 356-T6 aluminum and is fully powder coat finished inside and out. Swivel clamps, 75 mm valve ball, trunnions, and hardware are 18-8 stainless steel.

Most popular models listed below. See price list or contact TFT customer service for other available models.



Z1111A  
SAMPLE PART NUMBER  
16.0 kg

- 65 mm threaded exit
- On/off valve

MODEL	INLET	OUTLET	VALVE
Z1111A	75 mm FLANGE	65 mm NH M	YES
Z1121A	100 mm/DN100 FLANGE	65 mm NH M	YES
Z1122A	100 mm/DN100 FLANGE	65 mm BSP M	YES
Z1211A	75 mm FLANGE	65 mm NH M	NO



Z1211A  
12.6 kg

- 65 mm threaded exit
- Without on/off valve

Conversions  
2.5" (65 mm)  
3.0" (75 mm)  
4.0" (100 mm)



## Frequently Purchased Protector Monitor Nozzles and Foam Attachments



### MASTER FORCE NOZZLE FOR MONITORS AND WATER CANNONS

The full line of Master Stream Nozzles can be found in the Master Stream Nozzles Manual section.

MODEL	INLET	FLOW	OPERATING PRESSURE	LENGTH	WEIGHT
MC12A	65 mm NH	1100-3000 l/min	7/4 bar	26.4 cm	4.3 kg



### MASTER STREAM NOZZLE FOR MONITORS AND WATER CANNONS

The full line of Master Stream Nozzles can be found in the Master Stream Nozzles Manual section.

MODEL	INLET	OPERATING SYSTEM	FLOW	OPERATING PRESSURE	LENGTH	WEIGHT
M-R1000-NJ	65 mm NH	AUTOMATIC	600-3800 l/min	7 bar	25.4 cm	4.1 kg
M-R1000-BJ	65 mm BSP	AUTOMATIC	600-3800 l/min	7 bar	25.4 cm	4.1 kg
M-RS1000-NJ	65 mm NH	SELECTABLE	950, 1300, 2000, 3000 and 4000 l/min	7 bar	25.4 cm	4.1 kg
M-RF1000-NJ	65 mm NH	FIXED	Factory preset at the customer's specified K-factor 50 to 105 maximum. Must specify flow and pressure at time of order.		25.4 cm	3.8 kg



### MASTER STREAM NOZZLE FOR MONITORS AND WATER CANNONS

The full line of Master Stream Nozzles can be found in the Master Stream Nozzles Manual section.

MODEL	INLET	OPERATING SYSTEM	FLOW	OPERATING PRESSURE	LENGTH	WEIGHT
M-R1250S-NJ	65 mm NH	AUTOMATIC	570-4700 l/min	7 bar	25.4 cm	4.7 kg
M-R1250S-BJ	65 mm NH	AUTOMATIC	570-4700 l/min	7 bar	25.4 cm	4.7 kg
M-R1250-NJ	65 mm NH	AUTOMATIC	1100-4500 l/min	4.8-8.3 bar	32.8 cm	6.2 kg



### FIXED MONITOR FOAM ATTACHMENT

The full line of foam attachments can be found in the Foam Equipment section.

MODEL	FITS NOZZLE	LENGTH	WEIGHT
FJ-LX-M	Master Force, Master Stream 1000 & 1250S and Master Foam 250-750 gpm	64.3 cm	2.9 kg



### INDUSTRIAL NOZZLE FOR MONITORS AND WATER CANNONS

The full line of Master Stream Nozzles can be found in the Master Stream Nozzles Manual section.

MODEL	INLET	FLOW	LENGTH	WEIGHT
ZN12A	65 mm -7.5 NH FEMALE	2000 l/min @ 7 bar K-factor = 50	15.2 cm	2.0 kg
ZN13A	65 mm -7.5 NH FEMALE	3000 l/min @ 7 bar K-factor = 75	15.2 cm	2.0 kg
ZN22A	65 mm-11 BSP FEMALE	2000 l/min @ 7 bar K-factor = 50	15.2 cm	2.0 kg



### FOAM ATTACHMENTS

The full line of foam attachments can be found in the Foam Equipment section.

MODEL	FITS NOZZLE	LENGTH	WEIGHT
FJ-MX-MD	ZN Series Industrial Nozzles	41.1 cm	2.1 kg

Continued on  
next page.

## Frequently Purchased Protector Monitor Nozzles and Foam Attachments continued



### INDUSTRIAL NOZZLE FOR MONITORS AND WATER CANNONS

The full line of Master Stream Nozzles can be found in the Master Stream Nozzles Manual section.

MODEL	THREAD (RIGID)	FLOW	LENGTH	WEIGHT
ZM141	65 mm -7.5 NH FEMALE	4700 l/min @ 7 bar	19.56 cm	3.22 kg



### SELF EDUCATING FOAM NOZZLE FOR MONITORS AND WATER CANNONS

The full line of Self Educating Foam Nozzles can be found in the Foam Equipment section.

MODEL	THREADS	FLOW	LENGTH	WEIGHT
ZMF10A	65 mm -7.5 NH Female	950 l/min @ 7 bar K-factor = 25	26.7 cm	3.3 kg
ZMF11A	65 mm -7.5 NH Female	1300 l/min @ 7 bar K-factor = 35	26.7 cm	3.3 kg
ZMF12A	65 mm -7.5 NH Female	2000 l/min @ 7 bar K-factor = 50	26.7 cm	3.3 kg
ZMF13A	65 mm -7.5 NH Female	3000 l/min @ 7 bar K-factor = 75	26.7 cm	3.3 kg



### FIXED MONITOR FOAM ATTACHMENT

The full line of foam attachments can be found in the Foam Equipment section.

MODEL	FITS NOZZLE	LENGTH	WEIGHT
FJ-LX-M	Master Force, Master Stream 1000 & 1250S and Master Foam 250-750 gpm	64.3 cm	2.9 kg

# HURRICANE™ MANUAL 4750 l/min Fixed Station Monitor




The Task Force Tips' Hurricane is a durable, industrial, high-capacity fixed monitor. The Hurricane has high flow and low friction loss characteristics. The red powder coat finish (inside and out), and stainless steel elevation drive make the Hurricane one appliance that can stand up to tough service environments. The Hurricane is capable of flowing 4750 l/min while maintaining a FULL 360° rotational ability. The lever-action rotational lock is activated in one motion, visually

confirmed, and securely holds the Hurricane in position. A built-in automatic drain protects the monitor from freezing. The placement of grease zerks allows the Hurricane monitor to be quickly and easily serviced and lubricated, and a threaded port 6 mm is provided for a pressure gauge. The Hurricane is made from hard anodized ANSI A356-T6 aluminum. The Hurricane industrial monitor comes with our exclusive 5-year warranty.



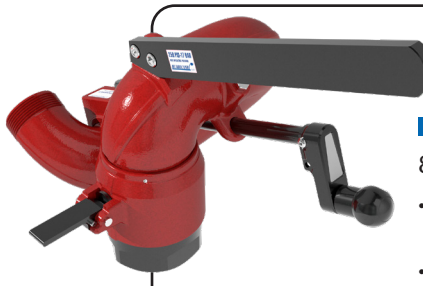
■ XFI-FLNJ  
8.90 kg

- 75 mm ANSI 150 flange inlet
- 65 mm NH outlet




■ XFI-FPNJ  
10.10 kg

- 100 mm ANSI 150/ DN100 PN16 flange inlet
- 65 mm NH outlet
- Galvanic isolation sleeve included (only fits 100 mm ANSI 150 bolt pattern)



■ XFI-PLNJ  
8.30 kg

- 75 mm female NPT inlet
- 65 mm NH outlet




■ XFIE-FLNJ  
75 mm Flange Extended  
21.00 lb 9.50 kg

- 75 mm ANSI 150 flange inlet
- 4 bolts
- 65 mm NH outlet



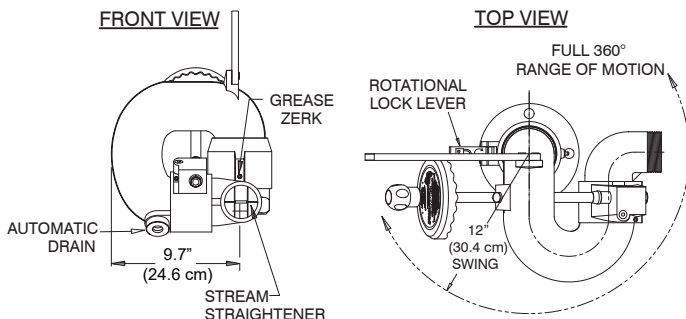
■ XFIF-PLNJ  
8.30 kg

- 75 mm female NPT inlet
- 65 mm NH outlet
- No tiller



■ XFIE-FPNJ  
10 mm Flange Extended  
10.30 kg

- 100 mm ANSI 150/ DN100 PN16 flange inlet
- 65 mm NH outlet
- Galvanic isolation sleeve included (only fits 4" ANSI 150 bolt pattern)



Conversions  
2.5" (65 mm)  
3.0" (75 mm)  
4.0" (100 mm)

Frequently Purchased  
HURRICANE Manual Monitor  
Nozzles found on next page.

## Frequently Purchased Hurricane Manual Monitor Nozzles and Foam Attachments



### SMOOTHBORE STACKED TIP FOR MONITORS AND WATER CANNONS

The full line of Smoothbore Stacked Tips can be found in the Master Stream Nozzles Manual section.

MODEL	INLET	ORIFICE OPENINGS	LENGTH	WEIGHT
MST-4NJ	65 mm NH	52 mm, 45 mm, 38 mm and 35 mm	42.9 cm	1.40 kg



### STREAM STRAIGHTENERS FOR MONITORS AND WATER CANNONS

The full line of Stream Straighteners can be found in the Master Stream Nozzles Manual section.

MODEL	RIGID FEMALE INLET	RIGID MALE OUTLET	LENGTH	WEIGHT
XF-SS5	65 mm NH	65 mm NH	125 mm	0.80 kg
XF-SS10	65 mm NH	65 mm NH	254 mm	1.90 kg



### VORTEX 2 MANUAL FOR MONITORS AND WATER CANNONS

The full line of Vortex can be found in the Master Stream Nozzles Manual section.

MODEL	INLET	OUTLET	OPERATING SYSTEM	MAXIMUM PRESSURE	FLOW	LENGTH	WEIGHT
SVJ-NJNJ	65 mm NH	65 mm NH	MANUAL	21 bar	up to 4500 l/min	21.3 cm	2.5 kg



### MASTER FORCE NOZZLE FOR MONITORS AND WATER CANNONS

The full line of Master Stream Nozzles can be found in the Master Stream Nozzles Manual section.

MODEL	INLET	FLOW	OPERATING PRESSURE	LENGTH	WEIGHT
MC12A	65 mm NH	1100-3000 l/min	7/4 bar	26.4 cm	4.3 kg



### MASTER STREAM NOZZLE FOR MONITORS AND WATER CANNONS

The full line of Master Stream Nozzles can be found in the Master Stream Nozzles Manual section.

MODEL	INLET	OPERATING SYSTEM	FLOW	OPERATING PRESSURE	LENGTH	WEIGHT
M-R1000-NJ	65 mm NH	AUTOMATIC	600-3800 l/min	7 bar	25.4 cm	4.1 kg
M-RS1000-NJ	65 mm NH	SELECTABLE	950, 1300, 2000, 3000 and 4000 l/min	7 bar	25.4 cm	4.1 kg
M-RF1000-NJ	65 mm NH	FIXED	Factory preset at the customer's specified K-factor 50 to 105 maximum. Must specify flow and pressure at time of order.		25.4 cm	3.8 kg



### MASTER STREAM NOZZLE FOR MONITORS AND WATER CANNONS

The full line of Master Stream Nozzles can be found in the Master Stream Nozzles Manual section.

MODEL	INLET	OPERATING SYSTEM	FLOW	OPERATING PRESSURE	LENGTH	WEIGHT
M-R1250S-NJ	65 mm NH	AUTOMATIC	570-4700 l/min	7 bar	25.4 cm	4.7 kg
M-R1250-NJ	65 mm NH	AUTOMATIC	1100-4500 l/min	4.8-8.3 bar	32.8 cm	6.2 kg



## Frequently Purchased Hurricane Manual Monitor Nozzles and Foam Attachments continued



### FIXED AND RC MONITOR FOAM ATTACHMENT

The full line of foam attachments can be found in the Foam Equipment section.

MODEL	FITS NOZZLE	LENGTH	WEIGHT
FJ-LX-M	Master Force, Master Stream 1000 & 1250S and Master Foam 250-750 gpm	64.3 cm	2.9 kg



### MAX SERIES NOZZLES FOR MONITORS AND WATER CANNONS

The full line of Master Stream Nozzles can be found in the Master Stream Nozzles Manual section.

MODEL	TYPE	INLET	COUPLING	FLOW	LENGTH	WEIGHT
MD12A	Max-Force Dual Pressure	65 mm NH	Rigid Rocker Lug	400-2000 l/min 7 bar / 4 bar	22.9 cm	3.0 kg
MD18A	Max-Matic Automatic	65 mm NH	Rigid Rocker Lug	400-2000 l/min 7 bar	22.9 cm	2.9 kg
MD17A	Max-Matic Automatic	65 mm NH	Rigid Rocker Lug	400-2000 l/min 6 bar	22.9 cm	2.9 kg
MD14A	Max-Flow Fixed Gallonage	65 mm NH	Rigid Rocker Lug	2000 l/min 7 bar	22.9 cm	2.9 kg



### INDUSTRIAL NOZZLE FOR MONITORS AND WATER CANNONS

The full line of Master Stream Nozzles can be found in the Master Stream Nozzles Manual section.

MODEL	INLET	FLOW	LENGTH	WEIGHT
ZN11A	65 mm-7.5 NH FEMALE	1300 l/min @ 7 bar K-factor = 35	15.2 cm	2.0 kg
ZN12A	65 mm-7.5 NH FEMALE	2000 l/min @ 7 bar K-factor = 50	15.2 cm	2.0 kg
ZN13A	65 mm-7.5 NH FEMALE	3000 l/min @ 7 bar K-factor = 75	15.2 cm	2.0 kg



### FOAM ATTACHMENTS

The full line of foam attachments can be found in the Foam Equipment section.

MODEL	FITS NOZZLE	LENGTH	WEIGHT
FJ-MX-MD	Max-Series and ZN Series Industrial Nozzles	41.1 cm	2.1 kg



### INDUSTRIAL NOZZLE FOR MONITORS AND WATER CANNONS

The full line of Master Stream Nozzles can be found in the Master Stream Nozzles Manual section.

MODEL	THREAD (RIGID)	FLOW	LENGTH	WEIGHT
ZM141	65 mm-7.5 NH FEMALE	4700 l/min @ 7 bar	19.56 cm	3.22 kg

## Frequently Purchased Hurricane Manual Monitor Nozzles and Foam Attachments continued



### SELF EDUCATING FOAM NOZZLE FOR MONITORS AND WATER CANNONS

The full line of Self Educating Foam Nozzles can be found in the Foam Equipment section.

MODEL	THREADS	FLOW	LENGTH	WEIGHT
ZMF10A	65 mm -7.5 NH Female	950 l/min @ 7 bar K-factor = 25	26.7 cm	3.3 kg
ZMF11A	65 mm -7.5 NH Female	1300 l/min @ 7 bar K-factor = 35	26.7 cm	3.3 kg
ZMF12A	65 mm -7.5 NH Female	2000 l/min @ 7 bar K-factor = 50	26.7 cm	3.3 kg
ZMF13A	65 mm -7.5 NH Female	3000 l/min @ 7 bar K-factor = 75	26.7 cm	3.3 kg



### FIXED AND RC MONITOR FOAM ATTACHMENT

The full line of foam attachments can be found in the Foam Equipment section.

MODEL	FITS NOZZLE	LENGTH	WEIGHT
FJ-LX-M	Master Force, Master Stream 1000 & 1250S and Master Foam 250-750 gpm	64.3 cm	2.9 kg

## HURRICANE™ Packages

HURRICANE Combination Packages combine the most often purchased components into a simple-to-order package. Contact TFT customer service for assistance.



HURRICANE PACKAGE MODEL	EXTEND-A-GUN	HURRICANE MONITOR	NOZZLE 1	ACCESSORY 1
	EXTEND-A-GUN BRACKET		NOZZLE 2	ACCESSORY 2
XIC-V831-L	XG18VL-PL EXTEND-A-GUN 45.7 cm- VIC X NPT	XFI-PLNJ HURRICANE MONITOR ALUMINUM	M-R1000-NJ MASTER STREAM 1000 W/HALO AUTO 65 mm NH	XF-SS10 STREAM STRAIGHTENER 250 mm 65 mm NH THREADS
	XGB-33 BRACKET SET 76 mm SADDLE/ SADDLE		MST-4NJ 4 STACKED TIPS 65 mm NHF	
XIC-V832-S	XG18VL-PL EXTEND-A-GUN 45.7 cm- VIC X NPT	XFI-PLNJ HURRICANE MONITOR ALUMINUM	M-R1250S-NJ MASTER STREAM 1250S W/ HALO AUTO 65 mm NH	XF-SS5 STREAM STRAIGHTENER 125 mm 65 mm NH THREADS
	XGB-33 BRACKET SET 76 mm SADDLE/ SADDLE		MST-4NJ 4 STACKED TIPS 65 mm NHF	

## HURRICANE™ RC 4750 l/min Remote Controlled Monitor



The Hurricane RC is an electric remote controlled monitor, with a single low-profile waterway discharge. The Hurricane RC has high flow and low friction loss characteristics. Capable of flowing 4750 l/min while maintaining a FULL 450° rotational travel (225° either side of center). Maximum operating pressure is 14 bar. Field changeable horizontal rotation stops at 45°, 90° and 135° either side of center position. Elevation range is 90° above horizontal to 45° below. Designed for 12 VDC or 24 VDC volt operation, selection is automatic. The Hurricane RC comes with a control panel mounted on the monitor for horizontal rotation, elevation, nozzle pattern, programmable PARK and Oscillate. The motor control circuits are factory installed on the monitor and use position encoders and current limiting to protect the drive train at the ends of travel. Unit comes with 30 feet of ultra-flexing robotics power cable already wired to the monitor,

and is enclosed in a unique cable guide that allows FULL 450° of horizontal travel, which is far more reliable than slip rings or coil cords. Knobs for manual override are also provided. TFT's Master Stream ERP nozzles plug into the factory installed nozzle power wire. Electric drives and control box are waterproof. Standard outlet is 65 mm NH male thread. A built-in automatic drain protects the monitor from freezing. A threaded port 6 mm NPT is provided for optional pressure gauge. The monitor is made from hardcoat anodized ANSI 356-T6 aluminum and silver powder coat finish inside and out. For wireless operation, purchase wireless operator station and radio/antenna found in the RC Monitor Controls and Accessories section of the catalog. Inlet also made for direct connection to TFT's electric Extend-A-Gun RC3, RC4, and Extend-A-Gun VP.



- XFIH-E11A**  
SAMPLE PART NUMBER  
39.0 lb (17.7 kg)
- 75 mm ANSI 150 flange inlet
  - 65 mm outlet
  - See Remote Control Accessories Section for monitor control options.
  - IP66/67 ingress protection on electronics

MODEL	INLET	OUTLET
XFIH-E11A	3" ANSI 150	2.5"-7.5 NH Male
XFIH-EL1A	TFT Code-RLF*	2.5"-7.5 NH Male
XFIH-EL2A	TFT Code-RLF*	2.5"-11 BSP Male
XFIH-E22A	4" ANSI 150 / DN100 PN16 Flange	2.5"-11 BSP Male

Conversions  
2.5" (65 mm)  
3.0" (75 mm)  
4.0" (100 mm)

\* TFT CODE-RLF fits Extend-A-Gun RC3 and Extend-A-Gun VP with RLM outlet.

Frequently Purchased HURRICANE RC Monitor Nozzles and Accessories found on next page.

## Frequently Purchased Hurricane RC Monitor Nozzles, Accessories, and Foam Attachments



### SMOOTHBORE STACKED TIP FOR RC MONITORS

The full line of Smoothbore Stacked Tips can be found in the Master Stream Nozzles Manual section.

MODEL	INLET	ORIFICE OPENINGS	LENGTH	WEIGHT
MST-4NJ	65 mm NH	52 mm, 45 mm, 38 mm and 35 mm	42.9 cm	1.40 kg



### STREAM STRAIGHTENERS FOR RC MONITORS

The full line of Stream Straighteners can be found in the Master Stream Nozzles Manual section.

MODEL	RIGID FEMALE INLET	RIGID MALE OUTLET	LENGTH	WEIGHT
XF-SS5	65 mm NH	65 mm NH	125 mm	0.80 kg
XF-SS10	65 mm NH	65 mm NH	254 mm	1.90 kg



### VORTEX 2 ER FOR RC MONITORS

The full line of Vortex can be found in the Master Stream Nozzles RC section.

MODEL	INLET	OUTLET	OPERATING SYSTEM	MAXIMUM PRESSURE	FLOW	LENGTH	WEIGHT
SVJE-NJNJ	65 mm NH	65 mm NH	ELECTRIC REMOTE	21 bar	up to 4500 l/min	21.3 cm	3.6 kg



### MASTER FORCE ERP NOZZLE FOR RC MONITORS

The full line of Master Stream Nozzles can be found in the Master Stream Nozzles RC section.

MODEL	INLET	FLOW	OPERATING PRESSURE	SMART STREAM TECHNOLOGY	LENGTH	WEIGHT
MC-ERP-12A	65 mm NH	1100-3000 l/min	7/4 bar	YES	29.5 cm	6.4 kg
MC-ER-12A	65 mm NH	1100-3000 l/min	7/4 bar	NO	29.5 cm	6.4 kg



### MASTER STREAM ERP NOZZLE FOR RC MONITORS

The full line of Master Stream Nozzles can be found in the Master Stream Nozzles RC section.

MODEL	INLET	FLOW	OPERATING PRESSURE	SMART STREAM TECHNOLOGY	LENGTH	WEIGHT
M-ERP1000-NJ	65 mm NH	570-3800 l/min	7 bar	YES	30.5 cm	6.2 kg
M-ERP1250SNJ	65 mm NH	570-4700 l/min	7 bar	YES	30.5 cm	6.2 kg
M-ERP1250-NJ	65 mm NH	1100-4500 l/min	4.8-8.3 bar	YES	33.0 cm	8.3 kg



### RC MONITOR FOAM ATTACHMENT

The full line of foam attachments can be found in the Foam Equipment section.

MODEL	FITS NOZZLE	LENGTH	WEIGHT
FJ-LX-M	Master Force, Master Stream 1000 & 1250S	64.3 cm	2.9 kg



### REMOTE CONTROL ACCESSORIES

The full line of Remote Control Accessories can be found in the Remote Control Accessories section.

MODEL	DESCRIPTION
YE-RF-RAD-9	WIRELESS RADIO AND ANTENNA 900 MHZ
YE-RF-RAD-24	WIRELESS RADIO AND ANTENNA 2.4 GHZ



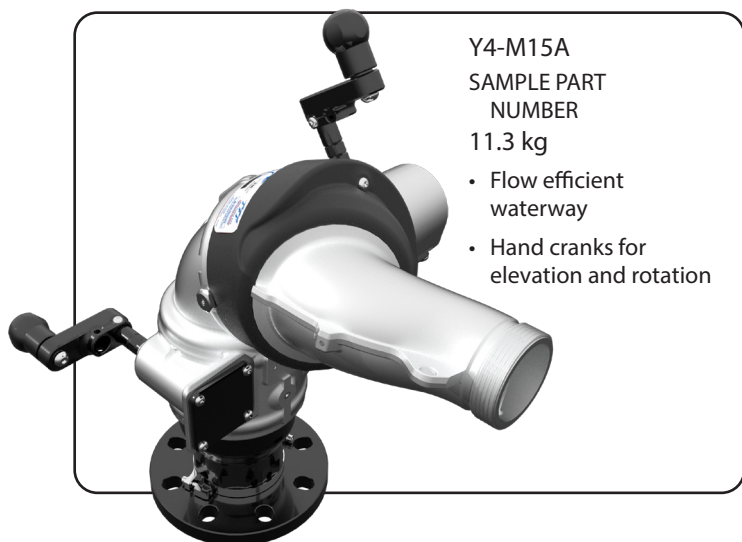
**MONSOON® 1250**  
**Manually Controlled Monitor - 4750 l/min**



The Monsoon is a manually operated monitor designed for flows up to 4750 l/min. Maximum operating pressure is 14 bar. Unique patented segmented waterway has only 0.4 bar friction loss at 4750 l/min. Water makes very few turns as it travels through the monitor resulting in low friction loss and a far-reaching effective stream. Elevation range is 90° above horizontal to 45° below. Field changeable elevation travel stops at 45° above, 30° above, and 30° below horizontal. The manual model has continuous horizontal rotation with field changeable stops at 45, 90 and 135° either side of a center position. Available with

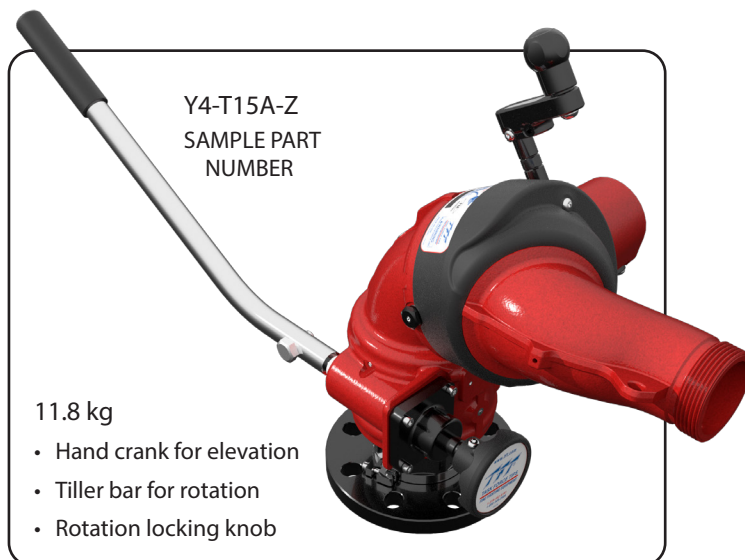
various inlet flanges and threaded fittings. Inlet also made for direct connection to TFT's Extend-A-Gun series and Valve Under Monitor series. See chart below for model numbers. Main waterway made from hardcoat anodized aluminum.

Silver powder coat finish inside and out is standard, except when "- Z" is added to the end of the model number. Models ending in "- Z" have American Red powder coat finish. Standard outlet is 65 mm male thread.



**Y4-M15A**  
**SAMPLE PART NUMBER**  
**11.3 kg**

- Flow efficient waterway
- Hand cranks for elevation and rotation



**Y4-T15A-Z**  
**SAMPLE PART NUMBER**  
**11.8 kg**

- Hand crank for elevation
- Tiller bar for rotation
- Rotation locking knob

MODEL	ACTUATION	INLET	OUTLET
Y4-M15A	Manual	3" ANSI 150 Flange	65 mm NHM
Y4-T15A-Z	Tiller	3" ANSI 150 Flange	65 mm NHM
Y4-M25A-Z	Manual	4" ANSI 150/DN100 PN16 Flange	65 mm NHM
Y4-T25A-Z	Tiller	4" ANSI 150/DN100 PN16 Flange	65 mm NHM

Conversions  
 2.5" (65 mm)  
 3.0" (75 mm)

-Z Designates red powder coat inside and out.

**Frequently Purchased MONSOON 65 mm Outlet Monitor Nozzles and Foam Attachments found at the end of this section.**

## Frequently Purchased MONSOON Manual 65 mm Outlet Monitor Nozzles and Foam Attachments



### SMOOTHBORE STACKED TIP FOR MONITORS AND WATER CANNONS

The full line of Smoothbore Stacked Tips can be found in the Master Stream Nozzles Manual section.

MODEL	INLET	ORIFICE OPENINGS	LENGTH	WEIGHT
MST-4NJ	65 mm NH	52 mm, 45 mm, 38 mm and 35 mm	42.9 cm	1.40 kg



### STREAM STRAIGHTENER FOR MONITORS AND WATER CANNONS

The full line of Stream Straighteners can be found in the Master Stream Nozzles Manual section.

MODEL	LENGTH	INLET / OUTLET
XF-SS5	125 mm	65 mm NH
XF-SS10	254 mm	65 mm NH



### VORTEX 2 FOR MONITORS AND WATER CANNONS

The full line of Vortex can be found in the Master Stream Nozzles Manual section.

MODEL	INLET	OUTLET	OPERATING SYSTEM	MAXIMUM PRESSURE	FLOW	LENGTH	WEIGHT
SVJ-NJNJ	65 mm NH	65 mm NH	MANUAL	21 bar	up to 4500 l/min	21.3 cm	2.5 kg



### MASTER FORCE NOZZLE FOR MONITORS AND WATER CANNONS

The full line of Master Stream Nozzles can be found in the Master Stream Nozzles Manual section.

MODEL	INLET	FLOW	OPERATING PRESSURE	LENGTH	WEIGHT
MC12A	65 mm NH	1100-3000 l/min	7/4 bar	26.4 cm	4.3 kg



### MASTER STREAM NOZZLE FOR MONITORS AND WATER CANNONS

The full line of Master Stream Nozzles can be found in the Master Stream Nozzles Manual section.

MODEL	INLET	OPERATING SYSTEM	FLOW	OPERATING PRESSURE	LENGTH	WEIGHT
M-R1000-NJ	65 mm NH	AUTOMATIC	570-3800 l/min	7 bar	25.4 cm	4.1 kg
M-RS1000-NJ	65 mm NH	SELECTABLE	950, 1300, 2000, 3000 and 4000 l/min	7 bar	25.4 cm	4.1 kg
M-RF1000-NJ	65 mm NH	FIXED	Factory preset at the customer's specified K-factor 50 to 105 maximum. Must specify flow and pressure at time of order.		25.4 cm	3.8 kg



### MASTER STREAM NOZZLE FOR MONITORS AND WATER CANNONS

The full line of Master Stream Nozzles can be found in the Master Stream Nozzles Manual section.

MODEL	INLET	OPERATING SYSTEM	FLOW	OPERATING PRESSURE	LENGTH	WEIGHT
M-R1250S-NJ	65 mm NH	AUTOMATIC	570-4700 l/min	7 bar	25.4 cm	4.7 kg
M-R1250-NJ	65 mm NH	AUTOMATIC	1100-4500 l/min	4.8-8.3 bar	32.8 cm	6.2 kg

## Frequently Purchased MONSOON Manual 65 mm Outlet Monitor Nozzles and Foam Attachments



### FIXED MONITOR FOAM ATTACHMENT

The full line of foam attachments can be found in the Foam Equipment section.

MODEL	FITS NOZZLE	LENGTH	WEIGHT
FJ-LX-M	Master Force, Master Stream 1000 & 1250S and Master Foam 250-750 gpm	64.3 cm	2.9 kg



### INDUSTRIAL NOZZLE FOR MONITORS AND WATER CANNONS

The full line of Master Stream Nozzles can be found in the Master Stream Nozzles Manual section.

MODEL	THREAD (RIGID)	FLOW	LENGTH	WEIGHT
ZM141	2.5"-7.5 NH FEMALE	4700 l/min @ 7 bar	19.56 cm	3.22 kg



### SELF EDUCATING FOAM NOZZLE FOR MONITORS AND WATER CANNONS

The full line of Self Educating Foam Nozzles can be found in the Foam Equipment section.

MODEL	THREADS	FLOW	LENGTH	WEIGHT
ZMF13A	2.5"-7.5 NH (65 mm) Female	3000 l/min @ 7 bar K-factor = 75	26.7 cm	3.3 kg

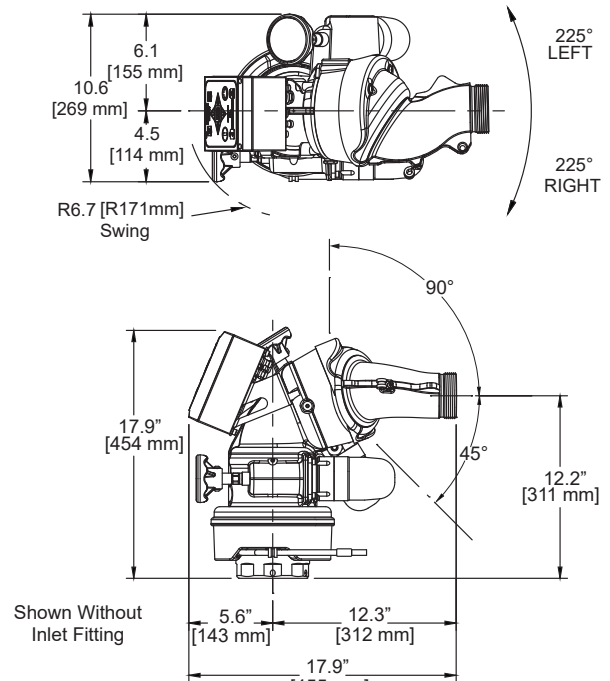
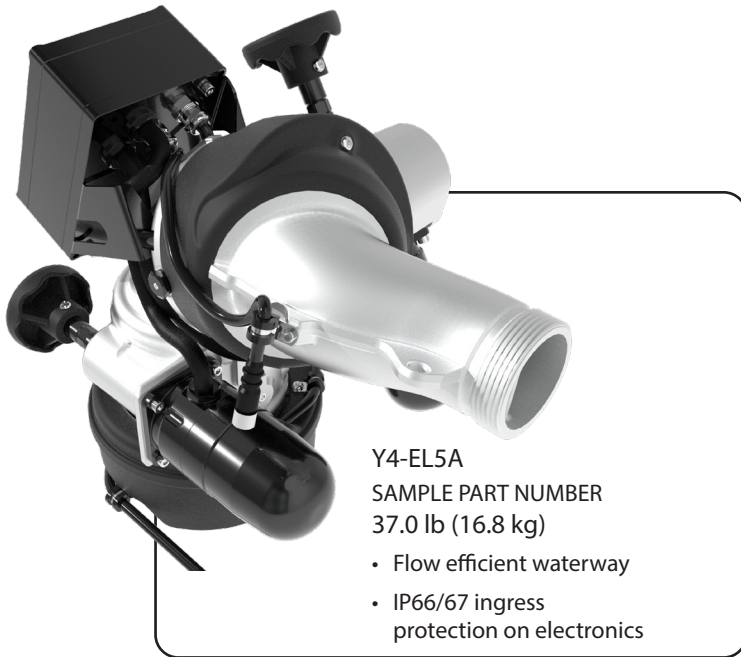
**MONSOON® RC 1250**  
 Remote Controlled Monitor - 4750 l/min Designed for Pumper Applications



The Monsoon RC for pumper installations is an electric remote controlled monitor that has all the benefits of the Monsoon monitor with the addition of powered operation. It has a greater horizontal sweep angle than the RC model for Ladder or Platform installations. Designed for 12 VDC or 24 VDC operation, selection is automatic. The Monsoon RC comes with a factory installed control panel mounted on the monitor for controlling horizontal rotation, elevation, nozzle pattern and programmable PARK and Oscillate. The motor control circuits are factory installed on the monitor and use position encoders and current limiting to protect the drive train at the ends of travel. Unit comes with 30' (10 m) of ultra-flexing robotics cable already wired to the monitor so installation effort is minimized. Cable has only four conductors (two for power and two for communications), further easing the installation effort. Cable is

enclosed in a unique wire guide that allows 450° of horizontal travel (225° either side of a center position), which is far more reliable than slip rings or coil cords. Knobs for manual override are provided on the horizontal rotation and elevation drive. TFT's Master ERP nozzles plug into the factory installed nozzle power wire. Electric drives and control box are waterproof and have a IP66/IP67 rating. Main waterway made from hardcoat anodized aluminum. Silver powder coat finish inside and out. Standard outlet is 65 mm rigid male thread. Other outlets are available. For wireless operation, purchase wireless operator station and radio/antenna found in the RC Monitor Controls and Accessories section of the catalog.

All TFT RC monitors are capable of being controlled by multiplex CANbus system. Contact factory for details.



MODEL	ACTUATION	INLET	OUTLET
Y4-EL5A	Electric	TFT CODE-RLF*	65 mm NHM
Y4-E15A	Electric	3" ANSI 150 Flange	65 mm NHM
Y4-E55A	Electric	DN100 PN16 Flange	65 mm NHM
Y4-E25A	Electric	4" ANSI 150 / DN100 PN16 Flange	65 mm NHM

Conversions  
 2.5" (65 mm)  
 4.0" (100 mm)

\* TFT CODE-RLF fits Extend-A-Gun RC3 and Extend-A-Gun VP with RLM outlet.

Frequently Purchased MONSOON 65 mm Outlet Monitor Nozzles and Accessories found at the end of this section.



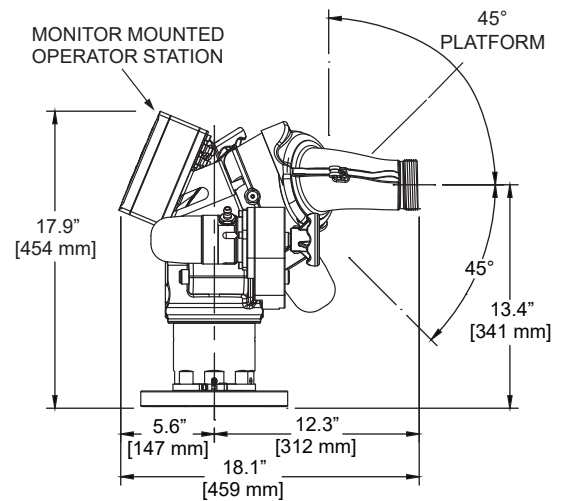
## MONSOON® RC 1250

### Remote Controlled High Clearance - 4750 l/min Designed for Platform Applications



The Monsoon RC for Platform installations is similar to the standard Monsoon RC. This model of Monsoon RC has the control box mounted at the top to give a reduced swing radius, thereby giving more clearance for Platform Installations. Knobs for manual override are provided on the horizontal rotation and elevation drive. Also comes with factory installed travel stops to limit the horizontal travel to 180° (90° either side of a center

position). The monitor can be controlled using the CANbus module for operation and for indication that the monitor is in the PARK position. A monitor mounted control panel allows vertical, horizontal nozzle pattern adjustments and programmable Park and Oscillate. For wireless operation, purchase wireless operator station and radio/antenna found in the RC Monitor Controls and Accessories section of the catalog.



All TFT RC monitors are capable of being controlled by multiplex CANbus system.

MODEL	INLET	OUTLET	CONFIGURATION
Y4-E15A-P-01	3" ANSI 150 Flange	65 mm NHM	Platform - No Electronics Interface box

Conversions  
2.5" (65 mm)  
3.0" (75 mm)

Frequently Purchased MONSOON 65 mm Outlet Monitor Nozzles and Accessories found at the end of this section.

## Frequently Purchased MONSOON RC 65 mm Outlet Monitor Nozzles and Accessories



### POWER CONDITIONER FOR RC MONITORS

The full line of Controllers and Accessories can be found in the RC Monitor Controllers and Accessories section.

MODEL	DESCRIPTION	LENGTH	WEIGHT
YE-PWR-COND	Power Conditioner that Easily connects in-line to maintain clean power to monitor or VUM.	20.3 x 8.9 x 6.4 cm	844 gr



### REMOTE CONTROL ACCESSORIES

The full line of Remote Control Accessories can be found in the Remote Control Accessories section.

MODEL	DESCRIPTION
YE-RF-RAD-9	WIRELESS RADIO AND ANTENNA 900 MHZ
YE-RF-RAD-24	WIRELESS RADIO AND ANTENNA 2.4 GHZ



### MULTIPLEX ADAPTER FOR RC MONITOR

The full line of Controllers and Accessories can be found in the RC Monitor Controllers and Accessories section.

MODEL	DESCRIPTION	LENGTH	WEIGHT
YE-CAN2	Converts CANbus signals into serial communications for controlling a TFT RC monitor or valve	3.7 x 4.2 x 3.5 cm	85 gr



### SMOOTHBORE STACKED TIP FOR RC MONITORS

The full line of Smoothbore Stacked Tips can be found in the Master Stream Nozzles Manual section.

MODEL	INLET	ORIFICE OPENINGS	LENGTH	WEIGHT
MST-4NJ	65 mm NH	52 mm, 45 mm, 38 mm and 35 mm	42.9 cm	1.40 kg



### STREAM STRAIGHTENER FOR RC MONITORS

The full line of Stream Straighteners can be found in the Master Stream Nozzles Manual section.

MODEL	LENGTH	INLET / OUTLET
XF-SS5	125 mm	65 mm NH
XF-SS10	254 mm	65 mm NH



### VORTEX 2 ER FOR RC MONITORS

The full line of Vortex can be found in the Master Stream Nozzles RC section.

MODEL	INLET	OUTLET	OPERATING SYSTEM	MAXIMUM PRESSURE	FLOW	LENGTH	WEIGHT
SVJ-NJNJ	65 mm NH	65 mm NH	MANUAL	21 bar	up to 4500 l/min	21.3 cm	2.5 kg



### MASTER FORCE ERP NOZZLE FOR RC MONITORS

The full line of Master Stream Nozzles can be found in the Master Stream Nozzles Manual section.

MODEL	INLET	FLOW	OPERATING PRESSURE	SMART STREAM TECHNOLOGY	LENGTH	WEIGHT
MC-ERP-12A	65 mm NH	1100-3000 l/min	7/4 bar	YES	29.5 cm	6.4 kg



### MASTER STREAM ERP NOZZLE FOR RC MONITORS

The full line of Master Stream Nozzles can be found in the Master Stream Nozzles Manual section.

MODEL	INLET	FLOW	OPERATING PRESSURE	SMART STREAM TECHNOLOGY	LENGTH	WEIGHT
M-ERP1000-NJ	65 mm NH	570-3800 l/min	7 bar	YES	30.5 cm	6.2 kg
M-ERP1250SNJ	65 mm NH	570-4700 l/min	7 bar	YES	30.5 cm	6.2 kg
M-ERP1250-NJ	65 mm NH	1100-4500 l/min	4.8-8.3 bar	YES	33.0 cm	8.3 kg

**MONSOON® 2000**  
**Manually Controlled Monitor - 7600 l/min**



The Monsoon is a manually operated monitor designed for flows up to 7600 l/min. Maximum operating pressure is 14 bar. Unique patented segmented waterway has only 1 bar friction loss at 7600 l/min. Water makes very few turns as it travels through the monitor resulting in low friction loss and a far-reaching effective stream. Elevation range is 90° above horizontal to 45° below. Field changeable elevation travel stops at 45° above, 30° above, and 30° below horizontal. The manual model has continuous horizontal rotation with field changeable stops at 45, 90 and

135° either side of a center position. Available with various inlet flanges and threaded fittings. Inlet also made for direct connection to TFT's Valve Under Monitor series. Main waterway made from hardcoat anodized ANSI 356-T6 aluminum.

Silver powder coat finish inside and out is standard, except when "- Z" is added to the end of the model number. Models ending in "- Z" have American Red powder coat finish. Standard outlet is 90 mm NH male thread.



**Y4-M21A**  
**SAMPLE PART NUMBER**  
**11.3 kg**

- High flow waterway design
- Crank handles for elevation and rotation



**Y4-T21A-Z**  
**SAMPLE PART NUMBER**  
**14.1 kg**

- Crank handle for elevation
- Tiller bar with locking knob for rotation

MODEL	ACTUATION	INLET	OUTLET
Y4-M21A	Manual	4" ANSI 150 DN100 PN16 Flange	3.5"-6 NH Male
Y4-MP1A-P-01*	Manual	TFT CODE-RPF**	3.5"-6 NH Male
INDUSTRIAL MODELS	ACTUATION	INLET	OUTLET
Y4-M21A-Z	Manual	4" ANSI 150 DN100 PN16 Flange	3.5"-6 NH Male
Y4-T21A-Z	Tiller	4" ANSI 150 DN100 PN16 Flange	3.5"-6 NH Male

Conversions  
 3.5" (90 mm)  
 4.0" (100 mm)

-Z Designates red powder coat inside and out.

\* Aerial Platform model with rotation stops at 90° left/right of center, elevation stop at 45° above horizontal, and lower profile elevation shaft

\*\* TFT CODE-RPF fits Extend-A-Gun RC4, and VUM

**Frequently Purchased MONSOON 90 mm Outlet Monitor Nozzles and Foam Attachments found at the end of this section.**

## Frequently Purchased MONSOON 90 mm Outlet Monitor Nozzles and Foam Attachments



### SMOOTHBORE TIPS FOR MONITORS AND WATER CANNONS

The full line of Smoothbore Tips can be found in the Master Stream Nozzles Manual section.

MODEL	INLET FEMALE	ORIFICE	LENGTH	WEIGHT
YST-4NN	90 mm NH	70 mm, 65 mm, 57 mm and 52 mm	55.9 cm	4.9 kg
YST-3NN	90 mm NH	65 mm, 57 mm and 52 mm	32.3 cm	2.2 kg
YST-1NN	90 mm NH	65 mm Replaces Stream Straightener section on YST-4NN for use with Vortex 3.	15.5 cm	1.2 kg



### VORTEX 3 MANUAL FOR MONITORS AND WATER CANNONS

The full line of Vortex can be found in the Master Stream Nozzles Manual section.

MODEL	INLET	OUTLET	OPERATING SYSTEM	MAXIMUM PRESSURE	FLOW	LENGTH	WEIGHT
SVN-NNNN	90 mm NH	90 mm NH	MANUAL	21 bar	up to 9500 l/min	22.9 cm	5.2 kg



### MASTER STREAM NOZZLE FOR MONITORS AND WATER CANNONS

The full line of Master Stream Nozzles can be found in the Master Stream Nozzles Manual section.

MODEL	INLET	OPERATING SYSTEM	FLOW	OPERATING PRESSURE	LENGTH	WEIGHT
M-R1250-NN	90 mm NH	AUTOMATIC	1100-4500 l/min	4.8-8.3 bar	30.5 cm	6.5 kg
M-R1500-NN	90 mm NH	AUTOMATIC	1100 - 6000 l/min	4.8 - 8.3 bar	32.0 cm	6.5 kg
M-R2000-NN	90 mm NH	AUTOMATIC	1100 - 7600 l/min	5.5-8.0 bar	30.7 cm	8.5 kg



### FIXED MONITOR FOAM ATTACHMENT

The full line of foam attachments can be found in the Foam Equipment section.

MODEL	FITS NOZZLE	LENGTH	WEIGHT
FJ-LX-M3	Master Stream 1250 Large Body and 1500	76.0 cm	4.94 kg



### INDUSTRIAL NOZZLE FOR MONITORS AND WATER CANNONS

The full line of Master Stream Nozzles can be found in the Master Stream Nozzles Manual section.

MODEL	THREAD (RIGID)	FLOW	LENGTH	WEIGHT
ZO14	3.5"-6 NH FEMALE	7500 l/min @ 7 bar K-factor = 200	29.5 cm	10.0 kg



### SELF EDUCATING MASTER STREAM NOZZLE FOR MONITORS AND WATER CANNONS

The full line of Self Educating Master Stream Nozzles can be found in the Foam Equipment section.

MODEL	THREADS	FLOW	LENGTH	WEIGHT
5700 or 7700 l/min Self-Educating Foam Nozzles				
ZMF16	3.5"-6 NH (90 mm) NH Coupling	5700 l/min @ 7 bar K-factor = 150	28.9 cm	11.2 kg
ZMF17	3.5"-6 NH (90 mm) NH Coupling	7700 l/min @ 7 bar K-factor = 200	28.9 cm	11.2 kg





## MONSOON® RC 2000

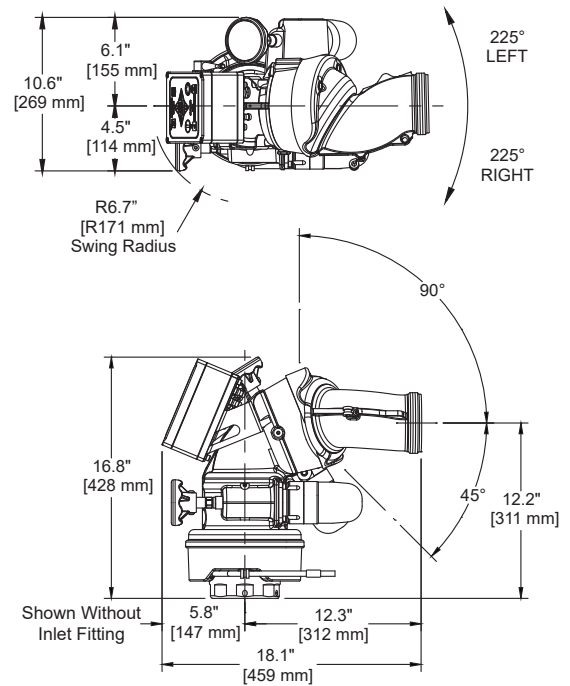
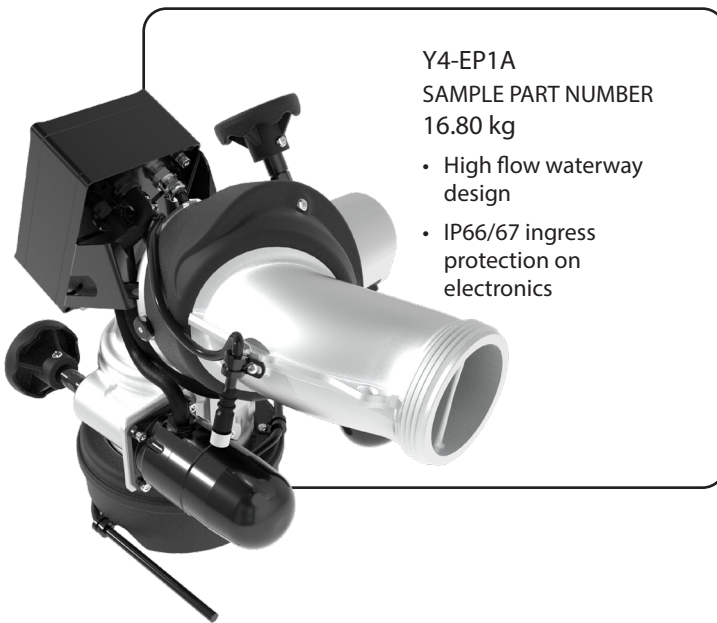
### Remote Controlled Deck Monitor - 7600 l/min Designed for Pumper Applications



The Monsoon RC for pumper installations is an electric remote controlled monitor that has all the benefits of the Monsoon monitor with the addition of powered operation. Designed for 12 VDC or 24 VDC operation, selection is automatic. The Monsoon RC comes with a factory installed control panel mounted on the monitor for controlling horizontal rotation, elevation, nozzle pattern and programmable PARK and Oscillate. The motor control circuits are factory installed on the monitor and use position encoders and current limiting to protect the drive train at the ends of travel. Unit comes with 30 feet of ultra-flexing robotics cable already wired to the monitor so installation effort is minimized. Cable has only four conductors (two for power and two for communications), further easing the installation effort. Cable is enclosed in a unique wire guide that allows

450° of horizontal travel (225° either side of a center position), which is far more reliable than slip rings or coil cords. Knobs for manual override are provided on the horizontal rotation and elevation drive. TFT's Master ERP nozzles plugs into the factory installed nozzle power wire. Electric drives and control box are waterproof. Main waterway made from hardcoat anodized ANSI 356-T6 aluminum. Silver powder coat finish inside and out. Standard outlet is 90 mm NH rigid male thread. For wireless operation, purchase wireless operator station and radio/antenna found in the RC Monitor Controls and Accessories section of the catalog.

All TFT RC monitors are capable of being controlled by multiplex CANbus system.



MODEL	ACTUATION	INLET	OUTLET
Y4-E21A	Electric	4" ANSI 150 / DN100 PN16 Flange	3.5"- 6 NH Male
Y4-EP1A	Electric	TFT CODE-RPF*	3.5"- 6 NH Male

Conversions  
3.5" (90 mm)  
4.0" (100 mm)

\* TFT CODE-RPF fits Extend-A-Gun RC4 RPM outlet.

Frequently Purchased MONSOON 90 mm Outlet Monitor Nozzles and Accessories found at the end of this section.

## MONSOON® RC 2000

### Remote Controlled High Clearance - 7600 l/min

### Designed For Ladder and Platform Applications

The Monsoon RC for Ladder or Platform installations is similar to the standard Monsoon RC. This model of Monsoon RC has the control box mounted at the top to give a reduced swing radius, thereby giving more clearance for Ladder Truck or Platform Installations. Knobs for manual override are provided on the horizontal rotation and elevation drive. Also comes with factory installed travel stops to limit the horizontal travel to 180° (90° either side of a center position). Some Ladder and Platform models include an electronics enclosure and 10' of cable to connect signals from the primary control station (such as the turntable toggle switches). These signals can either be hard wired or from a Canbus output module output. The Platform model's electronics enclosure contains an additional 10' cable to connect signals from a secondary control station (such as from basket toggle switches). The primary control signals will always override any signals from the secondary control or the monitor operator station. The electronics enclosure is factory configured to accept +12/24 VDC signals, but can be reconfigured in field to accept ground signals. This electronics enclosure also includes a relay to indicate when the monitor is in PARK position and has

contacts that can be connected into the Canbus or multiplex system. A monitor mounted control panel allows vertical, horizontal nozzle pattern adjustments and programmable PARK and Oscillate.

Ladder/platform electronics enclosures includes inputs for DEPLOY monitor, INHIBIT monitor.

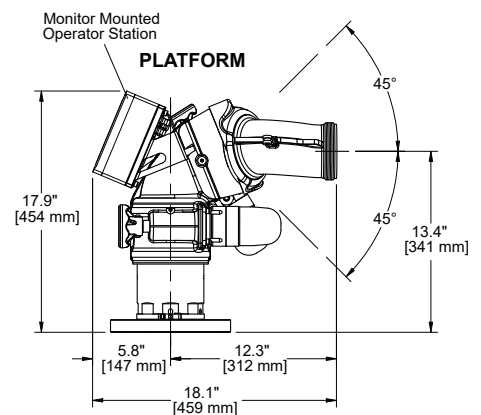
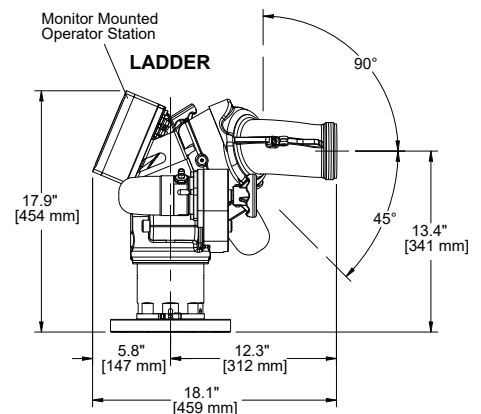
All Ladder & Platform version monitors include electronic "sit/stay" feature to keep powered monitor from rotating during travel.

Ladder version monitors (unless otherwise noted) include anti-back drive gear box to keep unpowered monitor from rotating during road travel.



Y4-EP1A-L  
SAMPLE PART NUMBER  
16.80 kg

- High flow waterway design
- IP66/67 ingress protection on electronics



MODEL	INLET	OUTLET	CONFIGURATION
Y4-E21A-P-01	4" ANSI 150 / DN100 PN16 Flange	3.5"-6 NH Male	Platform - No Electronics Interface box
Y4-EP1A-P-01	TFT CODE-RPF**	3.5"-6 NH Male	Platform - No Electronics Interface box
Y4-EP1A-L	TFT CODE-RPF **	3.5"-6 N H Male	Ladder

Conversions  
3.5" (90 mm)  
4.0" (100 mm)

\*\* TFT CODE-RPF fits VUM

Frequently Purchased MONSOON 90 mm Outlet Monitor Nozzles and Accessories found at the end of this section.

## Frequently Purchased MONSOON RC 90 mm Outlet Monitor Nozzles and Foam Attachments



### POWER CONDITIONER FOR RC MONITORS

The full line of Controllers and Accessories can be found in the RC Monitor Controllers and Accessories section.

MODEL	DESCRIPTION	LENGTH	WEIGHT
YE-PWR-COND	Power Conditioner that Easily connects in-line to maintain clean power to monitor or VUM.	20.3 x 8.9 x 6.4	844 gr



### REMOTE CONTROL ACCESSORIES

The full line of Remote Control Accessories can be found in the Remote Control Accessories section.

MODEL	DESCRIPTION
YE-RF-RAD-9	WIRELESS RADIO AND ANTENNA 900 MHZ
YE-RF-RAD-24	WIRELESS RADIO AND ANTENNA 2.4 GHZ



### MULTIPLEX ADAPTER FOR RC MONITOR

The full line of Controllers and Accessories can be found in the RC Monitor Controllers and Accessories section.

MODEL	DESCRIPTION	LENGTH	WEIGHT
YE-CAN2	Converts CANbus signals into serial communications for controlling a TFT RC monitor or valve	13.7 x 4.2 x 3.5 cm	85 gr



### SMOOTHBORE TIPS FOR RC MONITORS

The full line of Smoothbore Tips can be found in the Master Stream Nozzles Manual section.

MODEL	INLET FEMALE	ORIFICE	LENGTH	WEIGHT
YST-4NN	90 mm NH	70 mm, 65 mm, 57 mm and 52 mm	55.9 cm	4.9 kg
YST-3NN	90 mm NH	65 mm, 57 mm and 52 mm	32.3 cm	2.2 kg
YST-1NN	90 mm NH	65 mm Replaces Stream Straightener section on YST-4NN for use with Vortex 3.	15.5 cm	1.2 kg



### VORTEX 3 ER FOR RC MONITORS

The full line of Vortex can be found in the Master Stream Nozzles RC section.

MODEL	INLET	OUTLET	OPERATING SYSTEM	MAXIMUM PRESSURE	FLOW	LENGTH	WEIGHT
SVNE-NNNN	90 mm NH	90 mm NH	ELECTRIC REMOTE	21 bar	up to 9500 l/min	22.9 cm	6.3 kg



### MASTER STREAM RC NOZZLE

The full line of foam attachments can be found in the Master Stream Nozzles RC section.

MODEL	INLET	FLOW	OPERATING PRESSURE	SMART STREAM TECHNOLOGY	LENGTH	WEIGHT
M-ERP1250-NN	90 mm NH	1100-4500 l/min	4.8-8.3 bar	YES	30.5 cm	7.8 kg
M-ERP1500-NN	90 mm NH	1100-6000 l/min	4.8-8.3 bar	YES	32.0 cm	7.8 kg
M-ERP2000-NN	90 mm NH	1100 - 7600 l/min	5.5-8.3 bar	YES	30.7 cm	10.1 kg

# TSUNAMI™ RC

## Remote Controlled Monitor - Up To 8,000 gpm (30,000 l/min)

The Tsunami RC is an electric remote controlled monitor capable of flowing 30,000 l/min. Waterway with turning vane has only 1 bar friction loss at 30,000 l/min. Elevation range is 90° above horizontal to 10° below. Field changeable elevation travel stops. Horizontal travel is 320° (160° either side of a center position). Field changeable horizontal travel stops. Designed for 12 VDC or 24 VDC operation, selection is automatic. The Tsunami monitor comes with a control panel on the monitor for horizontal rotation, elevation, nozzle pattern, programmable Park and Oscillate. The motor control circuits use position

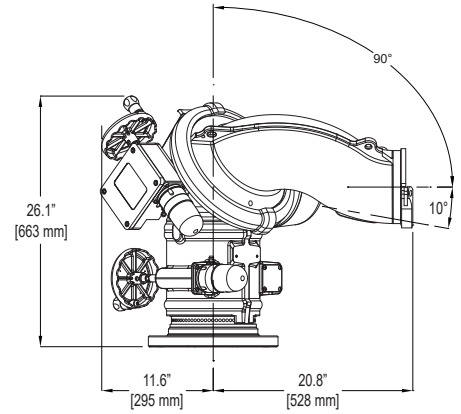
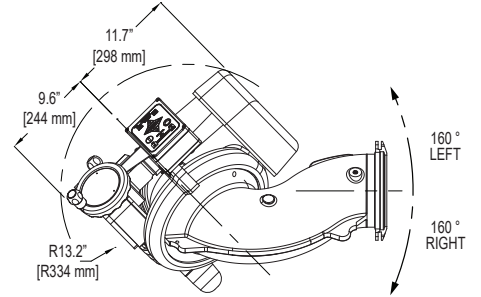
encoders and current limiting to protect the drive train at the ends of travel. Unit has waterproof factory installed plug on power wire for easy removal or reinstallation. Handwheel for manual override are provided on the horizontal rotation and elevation drive. Electric drives and control box are waterproof and have a IP66/IP67 rating. Main waterway made from hardcoat anodized aluminum. Silver powder coat finish inside and out. For wireless operation, purchase wireless operator station and radio/antenna found in the RC Monitor Controls and Accessories section of the catalog.



**FOR VERTICAL MOUNTING ONLY**

Y8-E11A  
78.9 kg

- 8" ANSI (200 mm) 150 flange inlet
- Quick connect outlet
- IP66/67 ingress protection on electronics



MODEL	ACTUATION	INLET	OUTLET
Y8-E11A	Electric	8" ANSI 150	Tsunami Quick Connect

Conversions  
8.0" (200 mm)

Frequently Purchased TSUNAMI Monitor Nozzles and Accessories found on next page.



## Frequently Purchased TSUNAMI Monitor Nozzles



### SMOOTHBORE TIPS FOR RC MONITORS

The full line of Smoothbore Tips can be found in the Master Stream Nozzles Manual section.

MODEL	INLET	ORIFICE OPENINGS	LENGTH	WEIGHT
YST-8NX	Tsunami Quick Connect	130 mm, 114 mm, 100 mm and 90 mm	112.3 cm	16.8 kg



### MASTER STREAM NOZZLE FOR RC MONITORS

The full line of Master Stream Nozzles can be found in the Master Stream Nozzles Manual section.

MODEL	ATTACHMENT	FLOW	PRESSURE	OPERATING SYSTEM
MT-A4ERP-QC	Tsunami Quick Connect	2300-15000 l/min	5.5-8.3 bar	AUTOMATIC



### VORTEX 6 ER FOR RC MONITORS

The full line of Vortex can be found in the Master Stream Nozzles RC section.

MODEL	INLET	OUTLET	OPERATING SYSTEM	MAXIMUM PRESSURE	FLOW	LENGTH	WEIGHT
SVXE	150 mm NHF	150 mm NHM	ELECTRIC REMOTE	21 bar	30,000 l/min	27.9 cm	9.0 kg



### REMOTE CONTROL ACCESSORIES

The full line of Remote Control Accessories can be found in the Remote Control Accessories section.

MODEL	DESCRIPTION
YE-RF-RAD-9	WIRELESS RADIO AND ANTENNA 900 MHZ
YE-RF-RAD-24	WIRELESS RADIO AND ANTENNA 2.4 GHZ



### MULTIPLEX ADAPTER FOR RC MONITOR

The full line of Controllers and Accessories can be found in the RC Monitor Controllers and Accessories section.

MODEL	DESCRIPTION	LENGTH	WEIGHT
YE-CAN2	Converts CANbus signals into serial communications for controlling a TFT RC monitor or valve	13.7 L x 4.2 W x 3.5 cm H	85 gr

## REMOTE CONTROL ACCESSORIES



These accessories and components are for use with EF1, Tornado RC, Hurricane RC, Typhoon RC, Monsoon RC and Tsunami RC and allow control of the monitors at remote locations. The Panel Mount, Tethered and Wireless Operator Stations have a waterproof membrane switch to control vertical, horizontal, and nozzle patterns, as well as the programmable PARK and Oscillate. Power, PARK and Oscillate indicator lights are standard. Two Auxiliary buttons to control lights, valves,

Extend-A-Guns and other equipment, are included and require the Remote Auxiliary Function Relay Interface Box or valve kit or Extend-A-Gun RC. All operator stations are equipped with "last button pressed" software so any button presses from the operator station will take over control from any other operator station. These operator stations can also be configured "master", by an internal DIP switch, as a "master" station so that commands from the operator station cannot be overridden.



**PANEL MOUNT MONITOR OPERATOR STATION WITH DISPLAY**  
**■ Y4E-RP-D**  
 1.20kg  
 20.30 H x 14.3 W x 8.9 cm D

- Designed to be mounted in a panel
- Control up to ten TFT RC monitors from one operator station
- Display for advanced system feedback and a backlit control panel for improved visibility
- A 9 m long cable for incoming power and communication connections is supplied pre-connected



**PANEL MOUNT MONITOR OPERATOR STATION**  
**■ Y4E-RP**  
 1.20kg  
 20.30 H x 14.3 W x 8.9 cm D

- Designed to be mounted in a panel
- Control one electric monitor from a remote location
- A 9 m long cable for incoming power and communication connections is supplied pre-connected



**TETHERED MONITOR OPERATOR STATION WITH DISPLAY**  
**■ Y4E-CT-30-D**  
 3.4 kg  
 18.5 cm

- Unit is easily configurable for multi-monitor control
- Control up to ten TFT RC monitors from one operator station
- Display for advanced system feedback and a backlit control panel for improved visibility
- Pendant receptacle can be connected to the Panel Mount Operator Station or directly to the monitor
- A 9 m long cable for attachment to the included receptacle
- Mounting bracket meets NFPA 1900 9G force requirements

Contact customer service for longer tether.



**TETHERED MONITOR OPERATOR STATION**  
**■ Y4E-CT-30**  
 3.40 kg  
 18.5 cm  
**■ Y4E-CT-100**  
 3.40 kg  
 18.5 cm

- Control one electric monitor from a remote location
- Pendant receptacle can be connected to the Panel Mount Operator Station or directly to the monitor
- A 9 m or 30 m long cable for attachment to the included receptacle
- Mounting bracket meets NFPA 1900 9G force requirements

Contact customer service for longer tether.

## REMOTE CONTROL ACCESSORIES



WIRELESS MONITOR  
OPERATOR STATION  
WITH DISPLAY  
900 MHz OR 2.4 GHz



■ YE-RF-900-D  
■ YE-RF-2400-D  
1.40kg  
28.70cm

- Wireless transmitter will operate up to 152 m away from the monitor
- Control up to ten TFT RC monitors from one operator station
- Display for advanced system feedback and a backlit control panel for improved visibility
- Mounting bracket meets NFPA 1900 9G force requirements

NOTE: Order one YE-RF-RAD-\* for each RC monitor.



WIRELESS MONITOR  
OPERATOR STATION  
900 MHz OR 2.4 GHz



■ YE-RF-900  
■ YE-RF-2400  
1.40kg  
28.70cm

- Wireless transmitter will operate up to 152 m away from the monitor
- Control one electric monitor from a remote location
- Mounting bracket meets NFPA 1900 9G force requirements

NOTE: Order one YE-RF-RAD-\* for each RC monitor.



WIRELESS MONITOR  
RADIO AND ANTENNA  
900 MHz  
OR 2.4 GHz

■ YE-RF-RAD-9  
■ YE-RF-RAD-24

- When ordered at the same time as the RC monitor, radio and antenna will be installed by TFT assembly personnel

NOTE: This item is required when ordering RC monitor and wireless controller. One radio and antenna per monitor.



MULTIPLEX ADAPTER FOR RC  
MONITOR AND VUM

■ YE-CAN2  
3.0 oz (85 gr)  
13.7 L x 4.2 W x 3.5 cm H  
■ YE-CAN2-NR (has cut resistor)

- Converts CANbus signals into serial communications for controlling a TFT RC monitor or valve
- Designed to work on a J1939 CANbus system and allows control of all TFT RC Monitors and RC Valve Under Monitor
- Easily connects in-line to monitor or valve cable



PANEL MOUNT RC  
EXTEND-A-GUN  
OPERATOR STATION

■ XGA-RP  
0.5 kg  
13.30 cm x 9.5 cm

- Allows the RC Extend-A-Gun to be controlled from a remote location
- Designed to be flush mounted
- Includes 3.6 m pre-connected cable

NOTE: This operator station is required if the RC Extend-A-Gun is installed without a TFT RC Monitor. An included 1.8 m cable must be installed into the RC Extend-A-Gun interface box.

## REMOTE CONTROL ACCESSORIES



### POWER CONDITIONER

■ YE-PWR-COND

.84 gr

20.3 L x 8.9 W x 6.4 cm H

- For RC monitors, Valve Under Monitor (VUM), Ball Intake Valve (BIV), and Extend-A-Guns
- Designed for 12 VDC or 24 VDC operation
- Provides clean power source, perfect for every aerial ladder and platform, without batteries
- Easily connects in-line to monitor, valve, or Extend-A-Gun cable



### CONNECTION HARNESS

■ YE-1F3M

.77 kg

13.7 L x 6.4 W x 3.6 cm H

- Easily connect a TFT RC Monitor to a Valve Under Monitor (VUM) and other controller
- Simply plug into existing wiring harness plugs on TFT RC products
- Fully encapsulated to protect from the environment, with mounting holes
- Simply a wiring connection harness with 1 female with 0.3 m cable and 3 male connections, one with 1.8 m cable, one with 2.4 m cable

### EXTENSION CABLE 4 CONDUCTOR

■ YE-CAB-6

.25 kg

1.8 m

- 1.8 m extension cable with 1 male and 1 female 4 pin connectors attached



## REMOTE CONTROL ACCESSORIES



### JOYSTICK MONITOR OPERATOR STATION AND BRACKET

- Y4E-JS
- Y4E-JS-51
- Y4E-JS-52

2.30 kg  
25.40 H x 12.1 W x 12.1 cm L



- Allows any TFT RC electric monitor to be controlled using a joystick
- Thumb switch controls nozzle pattern
- Trigger built into the joystick handle can be used to open and close TFT water valves
- A 3 m cable is supplied
- Push buttons on top for PARK and OSCILLATE functions as well as monitor DEPLOY
- Additional configurable button can be set up for RC Extend-A-Gun or LED light kit control

Y4E-JS Cable has stripped wires

Y4E-JS-51 Cable has plug and includes bulkhead receptacle with stripped wires for connection to control system.

Y4E-JS-52 Cable has plug to connect to YE-VK valve interface box

NOTE: Consult Manual LIY-500 at [tft.com/documents](http://tft.com/documents) for instructions to enable proportional speed control.



### JOYSTICK MONITOR OPERATOR STATION WITH GATEABLE VALVE CONTROL AND BRACKET

- Y4E-JS-GT

2.30 kg  
25.40 H x 12.1 W x 12.1 cm L



- Allows any TFT RC electric monitor to be controlled using a joystick and includes a valve opening adjustment slider to control the valve position on TFT Gateable Valve Kits
- Thumb switch controls nozzle pattern
- Trigger built into the joystick handle can be used to operate TFT gateable valves
- Includes a 3 m cable
- Push buttons on top for PARK and OSCILLATE functions as well as monitor DEPLOY
- Additional configurable button can be set up for RC Extend-A-Gun or LED light kit control

Y4E-JS-GT has cable and plug to connect to YE-VKG valve interface box.

NOTE: Consult Manual LIY-500 at [tft.com/documents](http://tft.com/documents) for instructions to enable proportional speed control.



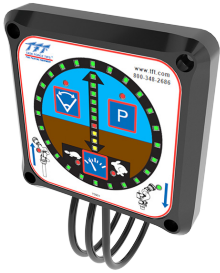
### PANEL MOUNTED RECEPTACLE

- YE-RECEP-4

9.10 m  
1.2 kg

- Allows tethered monitor or joystick operator stations to be connected at additional locations
- A 9 m long 4-conductor cable with a pre-connected receptacle is supplied
- Includes waterproof cap and chain

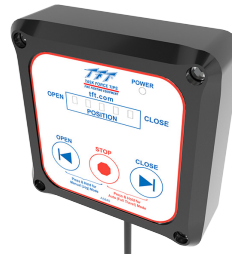
## REMOTE CONTROL ACCESSORIES



**MONITOR POSITION DISPLAY**  
**■ Y4E-DISP**  
 1.20 kg  
 10.8 L x 10.8 W x 3.3 cm H



- Shows the stream position of any TFT RC electric monitor
- Buttons for the PARK & Oscillate features and HIGH/LOW speed selection
- A 3 m long 4-conductor cable for power and communication is supplied pre-connected



**VALVE POSITION DISPLAY**  
**■ A-DISP**  
 1.20 kg  
 10.8 L x 10.8 W x 3.3 cm H

- Five LEDs show the position of any TFT RC Ball Intake Valve or Valve Under Monitor
- Buttons for valve open, stop, close
- Can be quickly and easily set for manual (jog) or automatic (full travel) modes
- A 6 m long 4-conductor cable w/Deutsch quick-connect plug for power and communication is supplied pre-connected



**TOGGLE SWITCH MONITOR OPERATOR STATION**  
**■ Y4E-TS**  
 1.20 kg  
 12.4 L x 8.1 W x 5.6 cm H



- Allows any TFT RC electric monitor to be controlled using three toggle switches for left/right, up/down, and fog/stream
- Operator station can be surface mounted
- A 3 m long 4-conductor cable for power and communication is supplied pre-connected



**MONITOR COMMUNICATION INTERFACE BOX**  
**■ Y4E-COMM**  
 1.20 kg  
 12.4 L x 8.1 W x 5.6 cm H



- For controlling any TFT RC electric monitor from other inputs such as toggle switches
- Accepts +12/24 VDC signals, but can be field changed to accept ground signals
- A 3 m long 4-conductor cable for power and communication is supplied pre-connected
- A 3 m long 8 conductor cable for input signals is supplied pre-connected



**REMOTE AUXILIARY FUNCTION RELAY INTERFACE BOX**  
**■ YE-REMAUX**  
 1.20kg  
 12.4 L x 8.1 W x 5.6 cm H



- Allows user to utilize the AUX1 and AUX2 buttons located on the monitor operator station
- Two relays that can operate lights, interface to a valve controller or a valve directly
- Contact rating is 16 amps @ 30VDC for resistive loads and 8 amps @ 30VDC for inductive loads
- A 3 m long 4-conductor cable for power and communication is supplied pre-connected



**LED SEARCH-LIGHT KIT, 12V**  
**■ YE-LK12-KIT**  
 0.8 kg  
 10.9 cm Height

- For mounting to remote controlled EF1, Tornado and Typhoon monitors.
- 6 m cable is supplied pre-connected

## VALVE KITS

Valve operation is controlled through the Y4E-JS-52 Joystick Monitor Operator Station or the Flow On/Off button on any TFT monitor operator station membrane switch. The interface box includes pre-wired 6 m cables with receptacles for monitor and water valve plug connections, a 4.5 m cable for power connection to monitor control system, a panel-

mounted receptacle with cap for the Y4E-JS-52 Joystick Monitor Operator Station connection, and an unused strain relief fitting for an additional operator station cable. The interface box and all fittings are sealed to keep water out so that it can be mounted outside the truck cab in a convenient location for connections to components.

### 38 mm NPT VALVE

■ YE-VK-PF

3.80 kg

12.20 L x 18.0 W x 23.9 cm H

- Heavy-duty 38 mm NPT water valve with female full port stainless steel ball valve with integral electric actuator control and cable with pre-wired plug
- Interface box for simplified 12/24 volt wire connections



### 52 mm NPT VALVE

■ YE-VK-PH

4.00kg

13.70 L x 18.0 W x 25.4 cm H

- Heavy-duty 52 mm NPT water valve with female full port stainless steel ball valve with integral electric actuator control and cable with pre-wired plug
- Interface box for simplified 12/24 volt wire connections



### 65 mm NPT VALVE

■ YE-VK-PJ

13.20 kg

17.00 L x 21.8 W x 34.8 cm H

- Heavy-duty 65 mm NPT water valve with female full port stainless steel ball valve with integral electric actuator control and cable with pre-wired plugs
- Interface box for simplified 12/24 volt wire connections



### 75 mm NPT VALVE

■ YE-VK-PL

13.20 kg

18.80 L x 22.6 W x 36.3 cm H

- Heavy-duty 75 mm NPT water valve with female full port stainless steel ball valve with integral electric actuator control and cable with pre-wired plugs
- Interface box for simplified 12/24 volt wire connections



### Valve Interface Control Box Specifications

Weight 3.1kg

Overall Dimensions:

22.4 L x 14.7 W x 5.6 cm H

(Additional clearance needed for fittings and cable)

## GATEABLE VALVE KITS

Valve operation is controlled through the Y4E-JS-GT Gateable Joystick Monitor Operator Station or the Flow On/Off button on any TFT panel mount or tethered monitor operator station membrane switch with digital display. The interface box includes pre-wired 6 m cables with receptacles for monitor and water valve plug connections, a 4.5 m cable for power connection to monitor control system, a panel-mounted receptacle with cap

### 38 mm NPT GATEABLE VALVE

■ YE-VKG-PF

4.00kg

12.2 L x 18.0 W x 23.9 cm H

- Heavy-duty 1.5" NPT (38 mm) water valve with female full port stainless steel ball valve with integral electric actuator control and cable with pre-wired plug
- Interface box for simplified 12/24 volt wire connections



### 52 mm NPT GATEABLE VALVE

■ YE-VKG-PH

4.0kg

13.7 L x 18.0 W x 25.4 cm H

- Heavy-duty 52 mm water valve with female full port stainless steel ball valve with integral electric actuator control and cable with pre-wired plug
- Interface box for simplified 12/24 volt wire connections



### 75 mm NPT GATEABLE VALVE

■ YE-VKG-PL

15.2kg

18.8 L x 22.6 W x 36.3 cm H

- Heavy-duty 75 mm NPT water valve with female full port stainless steel ball valve with integral electric actuator control and cable with pre-wired plug
- Interface box for simplified 12/24 volt wire connections



### Valve Interface Control Box Specifications

Weight 3.1kg

Overall Dimensions:

22.4 L x 14.7 W x 5.6 cm H

(Additional clearance needed  
for fittings and cable)

## EXTEND-A-GUN™ VP 75 mm Pneumatic Telescoping Waterway with Valve

The latest addition to the TFT Extend-A-Gun series, the VP version offers a complete solution from TFT: monitor, nozzle, waterway, and valve! Deploy and stow operations are efficiently controlled by pneumatics and the inlet valve interlock system aids safe operations. Designed to flow up to 6000 L/min, choose from a variety of TFT monitors.

LOWERED  
POSITION  
TRUCK  
DECK

XGC38\*-\*

45.7 cm Extension (see chart)  
24.5 kg

- Built-in safety with the interlock. It also includes a redundant manual override for deploy/stow operations for further security.
- In a single model number you can mount the gear box in one of four positions to ensure it fits your unique apparatus.
- Compatible with a variety of pumps, panels, and plumbing configurations so it's easy to install as well as service in the field.
- Installer supplied toggle switch controls on the panel keep the operator safely on the ground when deploying and stowing the monitor.



EXTEND-A-GUN VP shown with Monsoon 1250 RC Monitor and Master Stream 1250S ER Nozzle  
(Monitor, Nozzle and Mounting Brackets not included)

### 75 mm BRACKET SET

For safe dependable service, the Extend-A-Gun MUST be securely mounted. To make the Extend-A-Gun as versatile as possible, three mounting bracket kits are offered. Each kit has a different upper bracket. The lower bracket is the same in all three.



XGB-13  
4.6 kg  
Tube/Saddle



XGB-23  
3.7 kg  
Plate/Saddle



XGB-33  
2.3 kg  
Saddle/Saddle

INLET	MODEL	EXTENSION	OUTLET
75 mm VICTAULIC	XGC38VL-XL	45.7 cm	CROSSFIRE Outlet (Monitor Top)
75 mm VICTAULIC	XGC38VL-PL	45.7 cm	75 mm NPT

\* Fits inlet of Tornado RC, Hurricane RC, Typhoon RC or Monsoon RC monitors with 75 mm connection code-RLF.



## EXTEND-A-GUN™ VP 75 mm Pneumatic Telescoping Waterway with Valve

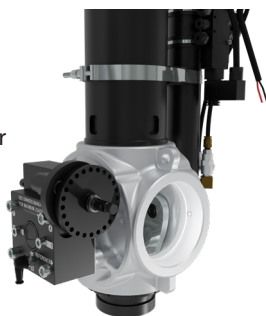
### Pneumatically Controlled

The deploy and stow positions are air operated and controlled by an up/down switch on the pump panel. Installers can utilize standard lines and fittings just like other pneumatic equipment on the apparatus.



### Inlet Valve Interlock

The interlock prevents flowing while extending and retracting the VP. This prevents users from damaging the unit or becoming injured when deploying or stowing the system.

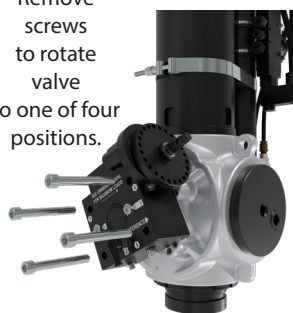


### Valve Control Flexibility

The gear box can be oriented one of four ways to allow the crankshaft to face 3, 6, 9, or 12 o'clock. Position selection can easily be changed by removing four screws.

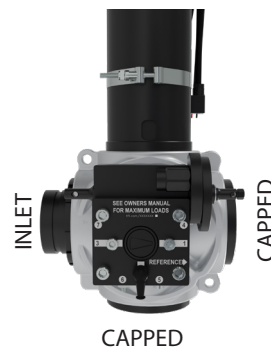
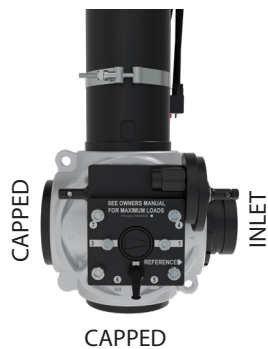
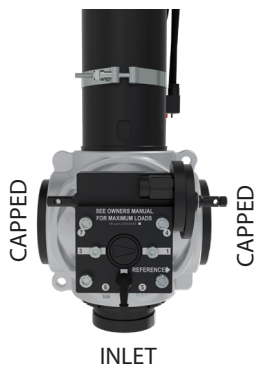


Remove screws to rotate valve to one of four positions.



### Multiple Inlet Plumbing Options

The TFT valve offers unrivaled plumbing flexibility. In a single SKU, OEM's can install plumbing connection to the bottom or side of unit. The valve also allows for flexibility in height. If the outlet port for monitor needs to be higher, simply use bottom inlet. If outlet port for monitor needs to be lower, a choice of two side port options are available.



### Integrated Valve

TFT has integrated a manually controlled valve that eliminates the need for a separate inline valve upstream from the Extend-A-Gun. The valve incorporates TFT's proven half ball design for longevity.

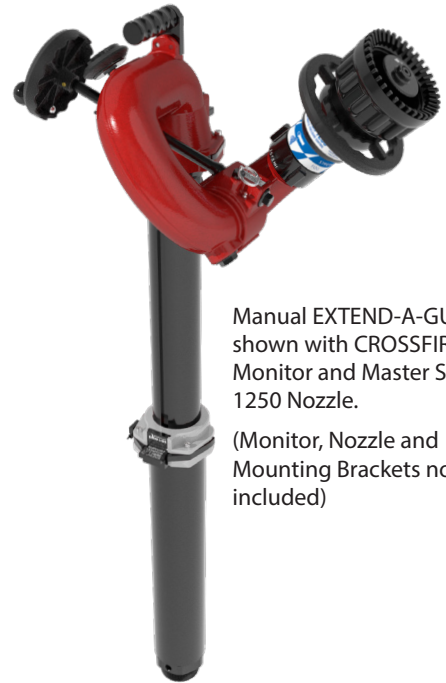
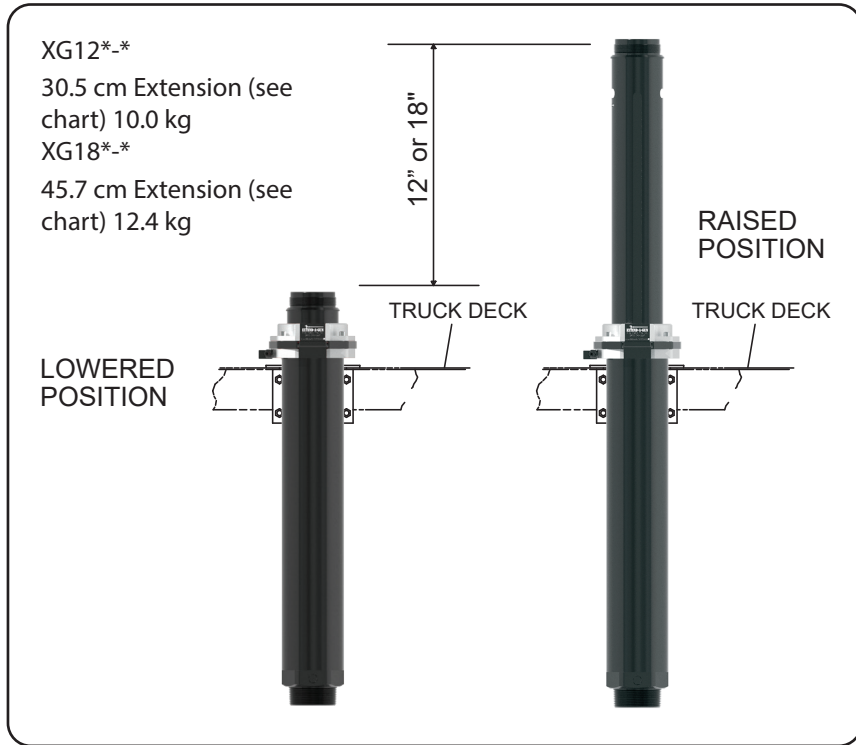


# EXTEND-A-GUN™ MANUAL

## 75 mm Manual Telescoping Waterway

The Extend-A-Gun provides new capabilities for your deck mounted Master Stream device. For storage, it can be lowered to deck level (or even into a monitor well). On the fire ground, the monitor may be raised to its extended position (30.5 or 45.7 extra cm) by lifting the quick release and raising by hand until the non-rotating pipe locks into position. This gives greater clearance of other equipment on the apparatus, greater

freedom of movement and allows a more comfortable operating position. The Extend-A-Gun offers a full 75 mm waterway, hardcoat anodized finish, and built-in sensor for connection to "monitor raised" light or truck open compartment warning. Can be specified with new, or retrofitted to existing apparatus.



Manual EXTEND-A-GUN shown with CROSSFIRE Monitor and Master Stream 1250 Nozzle. (Monitor, Nozzle and Mounting Brackets not included)

### 75 mm BRACKET SET

For safe dependable service, the Extend-A-Gun MUST be securely mounted. To make the Extend-A-Gun as versatile as possible, three mounting bracket kits are offered. Each kit has a different upper bracket. The lower bracket is the same in all three.



XGB-13  
4.6 kg  
Tube/Saddle



XGB-23  
3.7 kg  
Plate/Saddle



XGB-33  
2.3 kg  
Saddle/Saddle

### CROSSFIRE OUTLET: ONLY FITS CROSSFIRE MONITOR TOP

INLET	MODEL	EXTENSION
75 mm TAPER PIPE MALE	XG12PL-XL	30.5 cm
	XG18PL-XL	45.7 cm
75 mm VICTAULIC	XG12VL-XL	30.5 cm
	XG18VL-XL	45.7 cm

### OUTLET: 3" NPT (TAPER PIPE MALE) FITS ANY MONITOR TOP

INLET	MODEL	EXTENSION
75 mm TAPER PIPE MALE	XG12PL-PL	30.5 cm
	XG18PL-PL	45.7 cm
75 mm VICTAULIC	XG12VL-PL	30.5 cm
	XG18VL-PL	45.7 cm

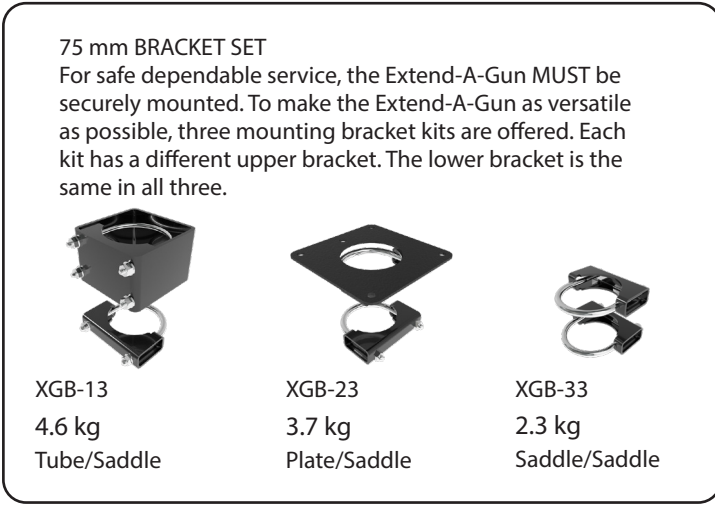
# EXTEND-A-GUN™ RC3

## 75 mm Remote Control Telescoping Waterway



The Extend-A-Gun RC3 lets you lower your deck mounted Master Stream device to deck level for storage (or even into a well). On the fire ground, the monitor can be automatically raised to its extended position (30.5 or 45.7 extra cm) with a simple push of a button. This gives greater clearance of other equipment on the apparatus, greater freedom of movement, and keeps firefighters off the top of the trucks, thus providing a safer operating position. The Extend-A-Gun RC3 offers a 75 mm waterway, and hardcoat anodized aluminum finish. Built-in sensor for connection to "monitor raised" light or truck open

compartment warning. Connecting RC Extend-A-Gun motor control box to RC monitor communication link (blue & white wires) allows RC Extend-A-Gun operation from any monitor operator station equipped with monitor up/down button or input. Can be specified with new or retrofitted to existing apparatus. NOTE: Extend-A-Gun RC is not compatible with other manufacturers' monitors. XGA-RP operator station (found in the RC Monitor and Controls Accessories section) is required if the RC Extend-A-Gun is to be installed with a TFT manual Monitor.



- Allows the RC Extend-A-Gun to be controlled from a remote location
  - Designed to be flush mounted
  - Includes 3.6 m pre-connected cable
- NOTE: This operator station is required if the RC Extend-A-Gun is installed with a TFT Manual Monitor. An included 1.8 m cable must be installed into the RC Extend-A-Gun interface box.

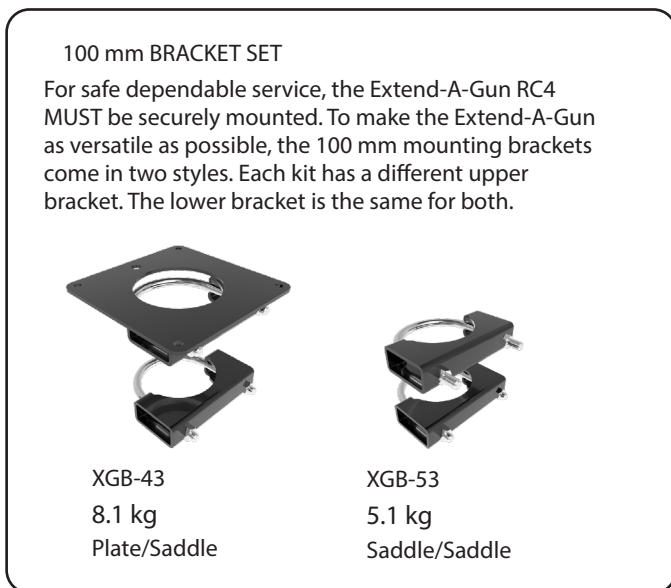
TFT CODE-RLM OUTLET*		
INLET	MODEL	EXTENSION
75 mm NPT	XGA38PL-RL	45.7 cm
75 mm VICTAULIC	XGA32VL-RL	30.5 cm
	XGA38VL-RL	45.7 cm

\* Fits inlet of Tornado RC, Hurricane RC, Typhoon RC or Monsoon monitors with 75 mm connection code-RLF.

## EXTEND-A-GUN™ RC4 100 mm Remote Control Telescoping Waterway



The Extend-A-Gun RC4 lets you lower your deck mounted Master Stream device to deck level for storage (or even into a well). On the fire ground, the monitor can be automatically raised to its extended position (30.5 or 45.7 extra cm) with a simple push of a button. This gives greater clearance of other equipment on the apparatus, greater freedom of movement, and keeps firefighters off the top of the trucks, thus providing a safer operating position. The Extend-A-Gun RC4 offers a 100 mm waterway, and hardcoat anodized aluminum finish. Built-in sensor for connection to "monitor raised" light or truck



compartment operator warning system. Connecting RC Extend-A-Gun motor control box to RC monitor communication link (blue & white wires) allows RC Extend-A-Gun operation from any monitor operator station equipped with monitor up/down button or input. Can be specified with new or retrofitted to existing apparatus. NOTE: Extend-A-Gun RC is not compatible with other manufacturers' monitors. XGA-RP operator station (see RC Monitor Controls and Accessories section of the catalog) is required if the RC Extend-A-Gun is to be installed with a TFT manual Monitor.



- Allows the RC Extend-A-Gun to be controlled from a remote location
- Designed to be flush mounted
- Includes 3.6 m pre-connected cable



NOTE: This operator station is required if the RC Extend-A-Gun is installed with at TFT Manual Monitor. An included 1.8 m cable must be installed into the RC Extend-A-Gun interface box.

TFT CODE-RLM OUTLET*		
INLET	MODEL	EXTENSION
100 mm VICTAULIC	XGA42VP-RP	30.5 cm
	XGA48VP-RP	45.7 cm

\* Fits inlet of Hurricane RC, Typhoon RC or Monsoon RC monitors with 100 mm connection code-RPF.



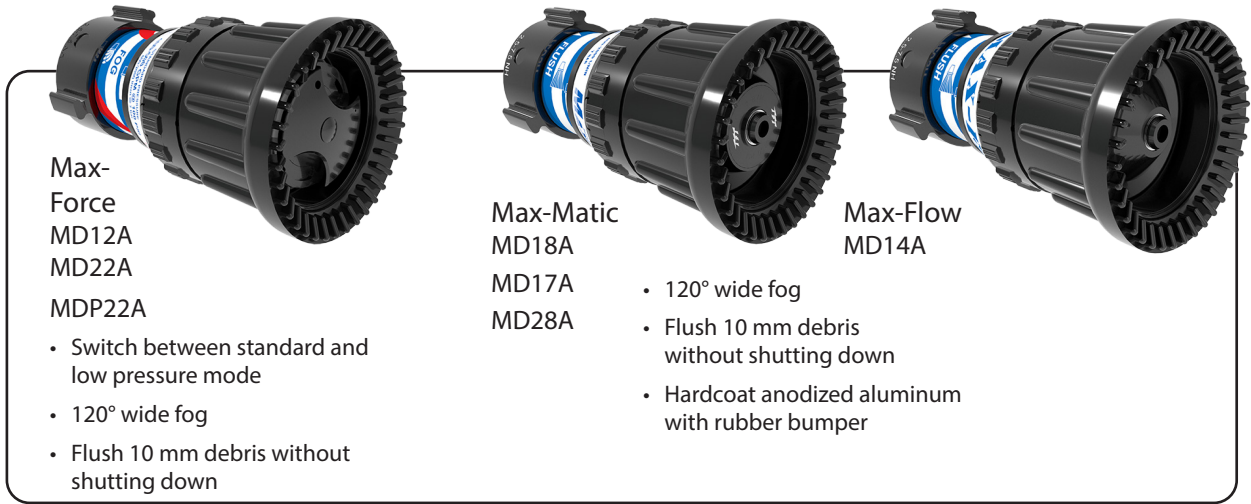


# MASTER STREAM & MONITOR NOZZLES

Fire departments around the globe need a hard hitting and long reaching water stream from their monitors and water cannons. However, each department operates at different flows and pressures in fixed, selectable and automatic nozzle styles. That's why TFT offers multiple options with easy adjustment and flush features built in.



MAX-SERIES™



Max-Force  
MD12A  
MD22A  
MDP22A

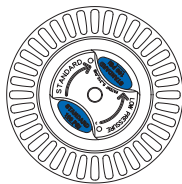
- Switch between standard and low pressure mode
- 120° wide fog
- Flush 10 mm debris without shutting down

Max-Matic  
MD18A  
MD17A  
MD28A

- 120° wide fog
- Flush 10 mm debris without shutting down
- Hardcoat anodized aluminum with rubber bumper

Max-Flow  
MD14A

MODEL	TYPE	INLET	COUPLING	FLOW	LENGTH	WEIGHT	EN CERTIFICATION
MD12A	Max-Force Dual Pressure	65 mm NH	Rigid Rocker Lug	400-2000 l/min 7 bar/ 4 bar	22.9 cm	3.0 kg	
MD18A	Max-Matic Automatic	65 mm NH	Rigid Rocker Lug	400-2000 l/min 7 bar	22.9 cm	2.9 kg	
MD17A	Max-Matic Automatic	65 mm NH	Rigid Rocker Lug	400-2000 l/min 6 bar	22.9 cm	2.9 kg	
MD14A	Max-Flow Fixed Gallonage	65 mm NH	Rigid Rocker Lug	2000 l/min 7 bar	22.9 cm	2.9 kg	
MD22A	Max-Force Dual Pressure	65 mm BSP	Rigid Rocker Lug	400-2000 l/min 7 bar/ 4 bar	22.9 cm	3.0 kg	
MD28A	Max-Matic Automatic	65 mm BSP	Rigid Rocker Lug	400-2000 l/min 7 bar	22.9 cm	2.9 kg	
MDP22A	Max-Force Dual Pressure	65 mm BSP	Rigid Rocker Lug	400-2000 l/min 7 bar/4 bar	22.9 cm	3.0 kg	EN15767-2 TYPE 4



Knob In Standard Pressure Mode



Knob In Low Pressure Mode

The Max-Force series nozzle features TFT's dual pressure knob. With a twist of the large knob on the front of the nozzle, the operating pressure may be switched between standard 7 bar and a low pressure mode 4 bar.



PORTABLE MONITOR FOAM ATTACHMENT

The full line of foam attachments can be found in the Foam Equipment section.

MODEL	FITS NOZZLE	LENGTH	WEIGHT
FJ-MX-MD	Max-Series Nozzles	41.1 cm	2.1 kg

## MASTER FORCE™ SERIES AUTOMATIC 1100-3000 l/min

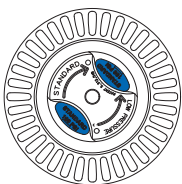
The TFT MASTER FORCE series gives a clean, far-reaching straight stream and the only dual pressure automatic nozzle with a flow range of 1100-3000 l/min. It is adjustable from straight stream to a dense fog pattern and flush without shutting down. MASTER FORCE series nozzles are suitable for use with foam.

- For use with TFT Crossfire, Radius, Hurricane, Flex and Monsoon 1250 monitors
- Dual pressure control 7/4 bar
- Continuously variable from straight stream to wide fog
- Molded rubber fog teeth with full fill power fog
- Accepts FJ-LX-M Low Expansion foam attachment



MC12A

MODEL	INLET	FLOW	OPERATING PRESSURE	LENGTH	WEIGHT
MC12A	65 mm NH	1100-3000 l/min	7/4 bar	26.4 cm	4.3 kg



Knob In Standard Pressure Mode



Knob In Low Pressure Mode

The Master Force nozzle features TFT's dual pressure knob. With a twist of the large knob on the front of the nozzle, the operating pressure may be switched between standard 7 bar and a low pressure mode 4 bar.



### PORTABLE MONITOR FOAM ATTACHMENT


The full line of foam attachments can be found in the Foam Equipment section.

MODEL	FITS NOZZLE	LENGTH	WEIGHT
FJ-LX-M	Master Force Series	64.3 cm	2.9 kg

## MASTER STREAM SERIES

600-3800 l/min

The TFT MASTER STREAM series gives a clean, far-reaching straight stream and the only dual pressure automatic nozzle with a flow range of 600-4000 l/min. It is adjustable from straight stream to a dense fog pattern. MASTER STREAM series nozzles are suitable for use with foam. For use on TFT Crossfire, Radius, Hurricane, Flex, and Monsoon 1250 monitors.



**AUTOMATIC M-R1000-NJ**

- 600-3800 l/min
- Variable from straight stream to wide fog
- Halo ring for pattern control
- Molded rubber fog teeth with full fill power fog



**SELECTABLE M-RS1000-NJ**

- Five flow selections
- Nozzle must be shut down to change settings
- Rotate outer baffle to desired flow setting
- Variable from straight stream to wide fog
- Halo ring for pattern control
- Molded rubber fog teeth with full fill power fog



**FIXED M-RF1000-NJ**

- Factory preset fixed constant flow & pressure engraved on the baffle
- Variable from straight stream to wide fog
- Halo ring for pattern control
- Molded rubber fog teeth with full fill power fog

MODEL	INLET	OPERATING SYSTEM	FLOW	OPERATING PRESSURE	LENGTH	WEIGHT
M-R1000-NJ	65 mm NH	AUTOMATIC	600-3800 l/min	7 bar	25.4 cm	4.1 kg
M-RS1000-NJ	65 mm NH	SELECTABLE	950, 1300, 2000, 3000 and 4000 l/min	7 bar	25.4 cm	4.1 kg
M-RF1000-NJ	65 mm NH	FIXED	Factory preset at the customer's specified K-factor 50 to 105 maximum. Must specify flow and pressure at time of order.		25.4 cm	3.8 kg

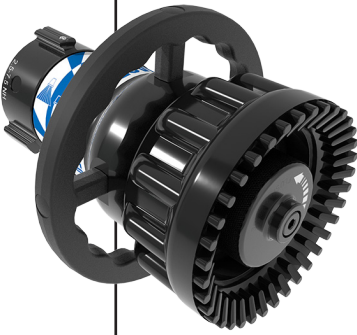


### PORTABLE MONITOR FOAM ATTACHMENT

The full line of foam attachments can be found in the Foam Equipment section.

MODEL	FITS NOZZLE	LENGTH	WEIGHT
FJ-LX-M	Master Stream 1000 Series	64.3 cm	2.9 kg

**MASTER STREAM 1250S SERIES**  
570-4700 l/min Small Body



**AUTOMATIC**  
M-R1250S-NJ  
M-R1250S-BJ

- For use on TFT Crossfire, Radius, Hurricane, Flex, and Monsoon 1250 monitors
- Continuously variable from straight stream to wide fog
- Molded rubber fog teeth with full fill power fog
- Halo ring for pattern control
- Accepts FJ-LX-M Low-Expansion foam attachment

The TFT MASTER STREAM series gives a clean, far-reaching straight stream with a flow range of 570-4700 l/min. It is adjustable from straight stream to a dense fog pattern. MASTER STREAM series nozzles are suitable for use with foam.

MODEL	INLET	OPERATING SYSTEM	FLOW	OPERATING PRESSURE	LENGTH	WEIGHT	EN CERTIFICATION
M-R1250S-NJ	65 mm NH	AUTOMATIC	570-4700 l/min	7 bar	25.4 cm	4.7 kg	
M-R1250S-BJ	65 mm BSP	AUTOMATIC	570-4700 l/min	7 bar	25.4 cm	4.7 kg	
MP-R1250S-BJ	65 mm BSP	AUTOMATIC	570-4700 l/min	7 bar	25.4 cm	4.7 kg	EN15767-2 TYPE 4



**PORTABLE MONITOR FOAM ATTACHMENT**

The full line of foam attachments can be found in the Foam Equipment section.

MODEL	FITS NOZZLE	LENGTH	WEIGHT
FJ-LX-M	Master Stream 1250S Series	64.3 cm	2.9 kg



## MASTER STREAM 1250 SERIES

### 1100-4500 l/min Large Body

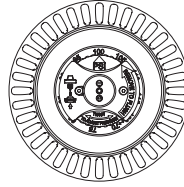
The Master Stream 1250 has the ability to produce an excellent hard-hitting stream at any volume from 1100 - 4500 l/min. It is adjustable from a straight stream to a dense fog pattern. This nozzle features TFT's exclusive pressure adjustment knob. With a twist of the large knob on the front of the nozzle, operating pressure can be immediately adjusted to tactile detent settings between 4.8 and 8.3 bar. At pressures other than 7 bar,

maximum flow is determined by K-factor of 125. Applications include truck mounted deluge devices, aerials, fireboats, industrial applications, or where a flow of 1100 - 4500 l/min is necessary or desired. Suitable for use with foam and accepts the FJ-LX-M3 FOAMJET low expansion air aspirating attachment



#### AUTOMATIC M-R1250-NJ

- For use on TFT Hurricane, Radius, Flex, and Monsoon 1250 monitors
- Continuously variable from straight stream to wide fog
- Molded rubber fog teeth with full fill power fog
- Halo ring for pattern control
- Accepts FJ-LX-M3 Low-Expansion foam attachment



This nozzle features TFT's exclusive pressure adjustment knob. With a twist of the large knob on the front of the nozzle, operating pressure can be immediately adjusted to tactile detent settings between 4.8 and 8.3 bar. At pressures other than 7 bar, maximum flow is determined by K-factor of 125.

MODEL	INLET	OPERATING SYSTEM	FLOW	OPERATING PRESSURE	LENGTH	WEIGHT
M-R1250-NJ	65 mm NH	AUTOMATIC	1100-4500 l/min	4.8-8.3 bar	32.8 cm	6.2 kg



#### FIXED AND RC MONITOR FOAM ATTACHMENT

The full line of foam attachments can be found in the Foam Equipment section.

MODEL	FITS NOZZLE	LENGTH	WEIGHT
FJ-LX-M3	Master Stream 1250 Large Body	76.0 cm	4.94 kg

## MASTER STREAM 1500 SERIES

1100-6000 l/min

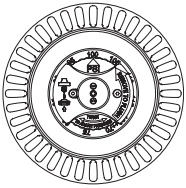
The Master Stream 1500 has the ability to produce an excellent hard-hitting stream at any volume from 100 - 6000 l/min. It is adjustable from a straight stream to a dense fog pattern. This nozzle features TFT's exclusive pressure adjustment knob. With a twist of the large knob on the front of the nozzle, operating pressure can be immediately adjusted to tactile detent settings between 4.8 and 8.3 bar. At pressures other than 7 bar, maximum flow is determined by K-factor of 150. Applications include truck mounted deluge devices, aerials, fireboats, industrial applications, or where a flow of 1100 - 6000 l/min is necessary or desired.



AUTOMATIC  
M-R1500-NL  
M-R1500-NN

- For TFT Hurricane, Radius, Typhoon, Flex, and Monsoon monitors
- With a twist of the large knob on the front of the nozzle, constant operating pressure can be immediately adjusted to tactile detent settings between 4.8 and 8.3 bar
- Continuously variable from straight stream to wide fog
- Molded rubber fog teeth with full fill power fog
- Halo ring for pattern control
- Accepts FJ-LX-M3 Low Expansion foam attachment

MODEL	INLET	OPERATING SYSTEM	FLOW	OPERATING PRESSURE	LENGTH	WEIGHT
M-R1500-NL	75 mm NH	AUTOMATIC	1100 - 6000 l/min	4.8 - 8.3 bar	32.0 cm	6.8kg
M-R1500-NN	90 mm NH	AUTOMATIC	1100 - 6000 l/min	4.8 - 8.3 bar	32.0 cm	6.5 kg



This nozzle features TFT's exclusive pressure adjustment knob. With a twist of the large knob on the front of the nozzle, operating pressure can be immediately adjusted to settings between 4.8 and 8.3 bar. At pressures other than 7 bar, maximum flow is determined by K-factor of 150.

## MASTER STREAM 2000 SERIES

1100-7600 l/min

The Master Stream 2000 has the ability to produce an excellent hard-hitting stream at any volume from 1100 - 7600 l/min. It is adjustable from a straight stream to a dense fog pattern. The recently redesigned nozzles are substantially shorter and lighter than their predecessors. With a twist of the knob on the front of the nozzle, operating pressure can be immediately adjusted between 5.5 and 8.0 bar. At pressures other than 7 bar, maximum flow is determined by K-factor of 230. Applications include truck mounted deluge devices, aerials, fireboats, industrial applications, or where a flow of 1100 - 7600 l/min is necessary or desired.



AUTOMATIC  
M-R2000-NN

- For use on TFT Typhoon, Flex, and Monsoon monitors
- With a twist of the large knob on the front of the nozzle, constant operating pressure can be immediately adjusted to settings between 5.5 and 8.0 bar
- Continuously variable from straight stream to wide fog
- Molded rubber fog teeth with full fill power fog
- Halo ring for pattern control

MODEL	INLET	OPERATING SYSTEM	FLOW	OPERATING PRESSURE	LENGTH	WEIGHT
M-R2000-NN	90 mm NH	AUTOMATIC	1100 - 7600 l/min	5.5-8.0 bar	30.7 cm	8.5 kg

**INDUSTRIAL  
ZN FIXED NOZZLE**

The TFT fixed gpm water nozzle is a simple and rugged industrial nozzle with superior stream quality and reach. This fixed gallonage fog nozzle rated at 7 bar is available with your choice of 950, 1300, 2000, 3000 l/min. Fog angle is user adjustable between 120° wide fog and straight stream. The nozzle's baffle can be removed with a wrench for flushing debris. The standard inlet is 65 mm NH or BSP female thread. The simple and basic design requires minimal maintenance. The ZN series has UV resistant rubber bumper and is hardcoat anodized aluminum.



- ZN10A
- ZN11A
- ZN12A
- ZN13A
- ZN14A
- ZN22A

- Rubber bumper

MODEL	THREAD (RIGID)	FLOW	LENGTH	WEIGHT
ZN10A	2.5"-7.5 NH FEMALE	950 l/min @ 7 bar K-factor = 25	15.20 cm	2.00 kg
ZN11A	2.5"-7.5 NH FEMALE	1300 l/min @ 7 bar K-factor = 35	15.20 cm	2.00 kg
ZN12A	2.5"-7.5 NH FEMALE	2000 l/min @ 7 bar K-factor = 50	15.20 cm	2.00 kg
ZN13A	2.5"-7.5 NH FEMALE	3000 l/min @ 7 bar K-factor = 75	15.20 cm	2.00 kg
ZN14A	2.5"-7.5 NH FEMALE	User Specified K-factor = 15 - 75 Must specify at time of order	15.20 cm	2.00 kg
ZN22A	2.5"-11 BSP FEMALE	2000 l/min @ 7 bar K-factor = 50	15.20 cm	2.00 kg



**PORTABLE MONITOR FOAM ATTACHMENT**

The full line of foam attachments can be found in the Foam Equipment section.

MODEL	FITS NOZZLE	LENGTH	WEIGHT
FJ-MX-MD	ZN Series Industrial Nozzles	41.1 cm	2.1 kg

## ULTIMATIC™ SERIES

### 40-500 l/min Automatic



Electrically operated pattern control for use on remote applications. The rugged, aluminum drive is totally enclosed and waterproof. The 12 to 24 volt drive unit draws 3 amps. There is a manual override if the electrical power fails. Water pattern adjusts from straight stream to a 120° wide fog. The nozzle can flush 9.5 mm debris without shutting down. Nozzle and actuator are hardcoat anodized aluminum for maximum resistance to corrosion and wear. Tip does not shut-off.

When ordering a nozzle for use on TFT RC monitors, order plug version (ERP). ERP versions are equipped with SMART STREAM technology. This technology utilizes a position encoder in the nozzle actuator to give the user greater control of the stream pattern, especially at FOG position. Nozzles equipped with a FLUSH

position are programmed to stop and pause at full FOG position when moving towards the FLUSH position, preventing excessive water flow. A second press of the button will cause the nozzle shaper to continue to move to flush position for removing debris from nozzle. Delivered with a waterproof plug connection for seamless integration with TFT's Tornado RC and EF1 RC monitors.



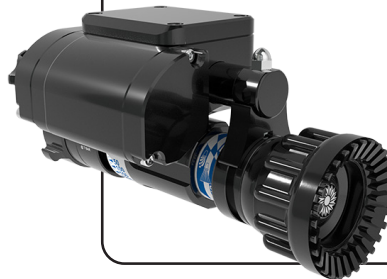
- For use on TFT Tornado RC and EF1 RC monitor
- Flush without shutting down
- Molded rubber fog teeth with full fill power fog
- Accepts both FJ-U low-expansion and FJ-UMX FOAMJET multi-expansion foam attachments

MODEL	INLET	FLOW	OPERATING PRESSURE	SMART STREAM TECHNOLOGY	LENGTH	WEIGHT
B-TO-ERP	38 mm NH	40-500 l/min	7 bar	YES	26.0 cm	2.6 kg
BL-TO-ERP	38 mm NH	40-500 l/min	5 bar	YES	26.0 cm	2.6 kg
B-TO-ERP-120	38 mm NH	40-500 l/min	8 bar	YES	26.0 cm	2.6 kg

Note: When installing Ultimatic nozzle on EF1 RC monitor, please request longer nozzle cable when ordering.

## ULTIMATIC™ SERIES

### 50-450 l/min Selectable



- For use on TFT Tornado RC and EF1 RC monitor
- Flush without shutting down
- Molded rubber fog teeth with full fill power fog
- Accepts both FJ-U low-expansion and FJ-UMX FOAMJET multi-expansion foam attachments

MODEL	INLET	FLOW	OPERATING PRESSURE	SMART STREAM TECHNOLOGY	LENGTH	WEIGHT
B-TOS-ERP	38 mm NH	60-450 l/min	7 bar	YES	25.1 cm	2.7 kg

Note: When installing Ultimatic nozzle on EF1 RC monitor, please request longer nozzle cable when ordering.



#### ULTIMATIC FOAM ATTACHMENTS

The full line of foam attachments can be found in the Foam Equipment section.

MODEL	FITS NOZZLE	FRONT END	DIAMETER	LENGTH	WEIGHT
FJ-U	Ultimatic	Flexible Rubber	9.1 cm	24.8 cm	0.5 kg
FJ-UMX	Ultimatic	Polypropylene	18.8 cm	38.7 cm	1.5 kg

**MAX-FORCE™**  
400-2000 l/min  
Dual Pressure Automatic



MD-ERP-12A  
4.6 kg  
25.9 cm

- For use on TFT Tornado RC, Hurricane RC, and Monsoon 1250 RC. Dual pressure control 7/4 bar nozzle
- 65 mm swivel rocker lug coupling is standard
- Molded rubber fog teeth with full fill power fog
- Accepts FJ-MX-MD multi-expansion foam attachment

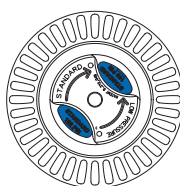
**MAX-MATIC™**  
400-2000 l/min Automatic



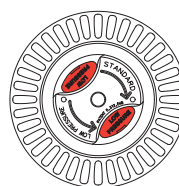
MD-ERP-18A  
4.5 kg  
25.9 cm

- For use on TFT Tornado RC, Hurricane RC, and Monsoon 1250 RC. Standard 7 bar nozzle
- Molded rubber fog teeth with full fill power fog
- Accepts FJ-MX-MD multi-expansion foam attachment

When ordering a nozzle for use on TFT RC monitors, order a plug version (ERP). ERP versions are equipped with SMART STREAM technology. This technology utilizes a position encoder in the nozzle actuator to give the user greater control of the stream pattern, especially around FOG position. Delivered with a waterproof plug connection for seamless integration with TFT's Tornado RC, Hurricane RC, or Monsoon 1250 RC Monitor.



**Knob In Standard Pressure Mode**



**Knob In Low Pressure Mode**

The Max-Force nozzle features TFT's dual pressure knob. With a twist of the large knob on the front of the nozzle, the operating pressure may be switched between standard 7 bar and a low pressure mode 4 bar.

MODEL	INLET (SWIVEL)	FLOW	OPERATING PRESSURE	LENGTH	WEIGHT
MD-ERP12A	65 mm NH FEMALE	400-2000 l/min	4/7 bar	25.9 cm	4.6 kg
MD-ERP18A	65 mm NH FEMALE	400-2000 l/min	7 bar	25.9 cm	4.5 kg
MD-ERP-28A	65 mm BSP FEMALE	400-2000 l/min	7 bar	25.9 cm	4.5 kg



**MAX-FORCE AND MAX-MATIC FOAM ATTACHMENT**  
The full line of foam attachments can be found in the Foam Equipment section.

MODEL	FITS NOZZLE	LENGTH	WEIGHT
FJ-MX-MD	Max-Series Nozzles	41.1 cm	2.1 kg

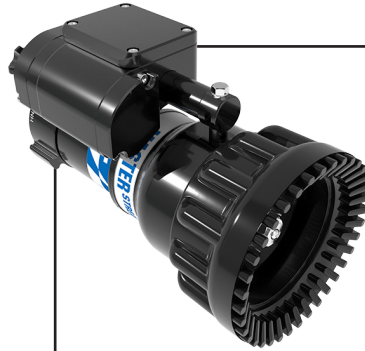


## MASTER STREAM 1000 SERIES ELECTRIC REMOTE 950-3800 l/min Selectable



The TFT Master Stream 1000 series gives a clean, far-reaching straight stream. It is adjustable from straight stream to a dense fog pattern. The selectable gallonage nozzle has five selectable gallonage settings. All Master Stream series nozzles are suitable for use with foam and accept the FJ-LX-M FOAMJET low expansion air aspirating attachment.

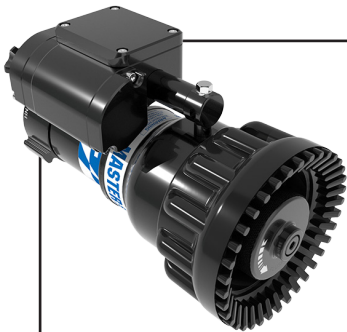
When ordering a nozzle for use on TFT RC monitors, order a plug version ERP or ERSP. These versions are equipped with SMART STREAM technology. This technology utilizes a position encoder in the nozzle actuator to give the user greater control of the stream pattern, especially around FOG position. Delivered with a waterproof plug connection for seamless integration with TFT's Hurricane RC and Monsoon 1250 RC monitors.



- For use with TFT Hurricane RC, Flex RC, and Monsoon 1250 RC monitors
- Continuously variable from straight stream to wide fog
- Molded rubber fog teeth with full fill power fog
- Accepts FJ-LX-M Low Expansion foam attachment

MODEL	INLET	FLOW	OPERATING PRESSURE	SMART STREAM TECHNOLOGY	LENGTH	WEIGHT
MERSP1000-NJ	65 mm NH	950, 1300, 1900, 3000 and 3800 l/min	7 bar	YES	30.5 cm	6.2 kg

## MASTER STREAM 1000 SERIES ELECTRIC REMOTE 570-3800 l/min Automatic



- For use with TFT Hurricane RC, Flex RC, and Monsoon RC monitors
- Continuously variable from straight stream to wide fog
- Molded rubber fog teeth with full fill power fog
- Accepts FJ-LX-M Low Expansion foam attachment

The TFT Master Stream 1000 series gives a clean, far-reaching straight stream. It is adjustable from straight stream to a dense fog pattern. The automatic series provides a constant nozzle pressure over a wide flow range and good stream quality. All Master Stream series nozzles are suitable for use with foam and accept the FJ-LX-M FOAMJET low expansion air aspirating attachment.

When ordering a nozzle for use on TFT RC monitors, order a plug version (ERP). ERP versions are equipped with SMART STREAM technology. This technology utilizes a position encoder in the nozzle actuator to give the user greater control of the stream pattern, especially around FOG position. Delivered with a waterproof plug connection for seamless integration with TFT's Hurricane RC, Flex RC, and Monsoon RC monitors.

MODEL	INLET	FLOW	OPERATING PRESSURE	SMART STREAM TECHNOLOGY	LENGTH	WEIGHT
M-ERP1000-NJ	65 mm NH	570-3800 l/min	7 bar	YES	30.5 cm	6.2 kg
M-ERP1000-BJ	65 mm BSP	570-3800 l/min	7 bar	Yes	30.5 cm	6.2 kg

### MASTER FORCE FOAM ATTACHMENT

The full line of foam attachments can be found in the Foam Equipment section.



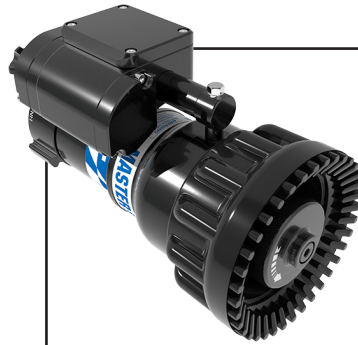
MODEL	FITS NOZZLE	LENGTH	WEIGHT
FJ-LX-M	Master Stream 1000 Series	64.3 cm	2.9 kg

## MASTER STREAM 1250S SERIES ELECTRIC REMOTE 570-4700 l/min Small Body Automatic



The TFT Master Stream 1250S series gives a clean, far-reaching straight stream. It is adjustable from straight stream to a dense fog pattern. Master Stream 1250S series nozzles are suitable for use with foam.

TFT's electric remote nozzles versions are equipped with SMART STREAM technology. This technology utilizes a position encoder in the nozzle actuator to give the user greater control of the stream pattern, especially around FOG position. Delivered with a waterproof plug connection for seamless integration with TFT's Hurricane RC, Flex RC, and Monsoon 1250 RC monitors.



- For use with TFT Hurricane RC, Flex RC and Monsoon 1250 RC monitors
- Continuously variable from straight stream to wide fog
- Molded rubber fog teeth with full fill power fog
- Accepts FJ-LX-M Low Expansion foam attachment

MODEL	INLET	FLOW	OPERATING PRESSURE	SMART STREAM TECHNOLOGY	LENGTH	WEIGHT
M-ERP1250SNJ	65 mm NH	570-4700 l/min	7 bar	Yes	30.5 cm	6.2 kg
M-ERP1250SBJ	65 mm BSP	570-4700 l/min	7 bar	Yes	30.5 cm	6.2 kg



### MASTER FORCE FOAM ATTACHMENT

The full line of foam attachments can be found in the Foam Equipment section.

MODEL	FITS NOZZLE	LENGTH	WEIGHT
FJ-LX-M	Master Stream 1250S Series	64.3 cm	2.9 kg

**MASTER STREAM 1250 SERIES ELECTRIC REMOTE**  
**1100-4500 l/min Large Body Automatic**

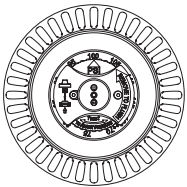


TFT's electric remote nozzles are equipped with SMART STREAM technology. This technology utilizes a position encoder in the nozzle actuator to give the user greater control of the stream pattern, especially around FOG position. Delivered with a waterproof plug connection for seamless integration with TFT's Hurricane RC, Typhoon RC and Monsoon RC monitors.



- For TFT Hurricane RC, Typhoon RC, and Monsoon RC monitors
- Operating pressure can be immediately adjusted to tactile detent settings between 4.8 and 8.3 bar
- Continuously variable from straight stream to wide fog
- Molded rubber fog teeth with full fill power fog
- Accepts FJ-LX-M3 Low Expansion foam attachment

MODEL	INLET	FLOW	OPERATING PRESSURE	SMART STREAM TECHNOLOGY	LENGTH	WEIGHT
M-ERP1250-NJ	65 mm NH	1100-4500 l/min	4.8-8.3 bar	YES	33.0 cm	8.3 kg
M-ERP1250-NN	90 mm NH	1100-4500 l/min	4.8-8.3 bar	YES	30.5 cm	7.8 kg



This nozzle features TFT's exclusive pressure adjustment knob. With a twist of the large knob on the front of the nozzle, operating pressure can be immediately adjusted to settings between 4.8 and 8.3 bar. At pressures other than 7 bar, maximum flow is determined by K-factor of 125.



**FIXED AND RC MONITOR FOAM ATTACHMENT**

The full line of foam attachments can be found in the Foam Equipment section.

MODEL	FITS NOZZLE	LENGTH	WEIGHT
FJ-LX-M3	Master Stream 1250 Large Body	76.0 cm	4.94 kg

# MASTER STREAM 1500 SERIES ELECTRIC REMOTE 1100-6000 l/min Automatic



Electrically operated pattern control for use on remote applications.

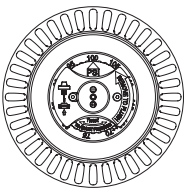
The rugged, aluminum drive is totally enclosed and waterproof. The 12 to 24 volt drive unit draws 3 amps. There is a manual override if the electrical power fails. Nozzle and actuator are hardcoat anodized aluminum for maximum resistance to corrosion and wear. Tip does not shut off.

TFT's electric nozzles are equipped with SMART STREAM technology. This technology utilizes a position encoder in the nozzle actuator to give the user greater control of the stream pattern, especially around FOG position. Delivered with a waterproof plug connection for seamless integration with TFT's Hurricane RC, Typhoon RC and Monsoon RC monitors.



- For TFT Hurricane RC, Typhoon RC, and Monsoon RC monitors
- With a twist of the large knob on the front of the nozzle, constant operating pressure can be immediately adjusted to tactile detent settings between 4.8 and 8.3 bar
- Continuously variable from straight stream to wide fog
- Molded rubber fog teeth with full fill power fog
- Accepts FJ-LX-M3 Low Expansion foam attachment

MODEL	INLET	FLOW	OPERATING PRESSURE	SMART STREAM TECHNOLOGY	LENGTH	WEIGHT
M-ERP1500-NN	90 mm NH	1100-6000 l/min	4.8-8.3 bar	YES	32.0 cm	7.8 kg



This nozzle features TFT's exclusive pressure adjustment knob. With a twist of the large knob on the front of the nozzle, operating pressure can be immediately adjusted to tactile detent settings between 4.8 and 8.3 bar. At pressures other than 7 bar, maximum flow is determined by K-factor of 150.



### FIXED AND RC MONITOR FOAM ATTACHMENT

The full line of foam attachments can be found in the Foam Equipment section.

MODEL	FITS NOZZLE	LENGTH	WEIGHT
FJ-LX-M3	Master Stream 1500 Large Body	76.0 cm	4.94 kg

## MASTER STREAM 2000 SERIES ELECTRIC REMOTE 1100-7600 l/min Automatic

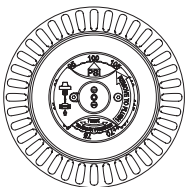
The rugged, aluminum drive is totally enclosed and waterproof. The 12 to 24 volt drive unit draws 3 amps. There is a manual override if the electrical power fails. Nozzle and actuator are hardcoat anodized aluminum for maximum resistance to corrosion and wear. Tip does not shut off.

TFT's electric nozzles are equipped with SMART STREAM technology. This technology utilizes a position encoder in the nozzle actuator to give the user greater control of the stream pattern, especially around FOG position. Delivered with a waterproof plug connection for seamless integration with TFT's Typhoon RC and Monsoon RC monitors.



- For use with TFT Typhoon RC and Monsoon RC monitors
- Nozzle pressure adjustable between 5.5 and 8.3 bar
- Continuously variable from straight stream to wide fog
- Molded rubber fog teeth with full fill power fog

MODEL	INLET	FLOW	OPERATING PRESSURE	SMART STREAM TECHNOLOGY	LENGTH	WEIGHT
M-ERP2000-NN	90 mm NH	1100 - 7600 l/min	5.5-8.3 bar	YES	30.7 cm	10.1 kg



This nozzle features TFT's exclusive pressure adjustment knob. With a twist of the large knob on the front of the nozzle, operating pressure can be immediately adjusted to tactile detent settings between 4.8 and 8.3 bar. At pressures other than 7 bar, maximum flow is determined by K-factor of 230.





# FOAM EQUIPMENT

Firefighting foam continues to be an effective tool for a variety response scenarios. TFT manufactures a wide range of eductors, nozzles and attachments, and portable proportioning systems for Class A and B foams along with CAFS applications. Our in-line eductors provide best in class reliability due to a unique design that makes cleaning and flushing a push of a button. And our nozzle attachments work well with low, medium and high expansion foams.



## IN-LINE FOAM EDUCTOR SERIES

### 60, 95 & 125 Gpm and 225 & 450 L/min

In-line Foam Eductors have a metering head with easy to read knob for use with Class A foam at .25% and .5% and with Class B foam at 1%, 3% and 6%. Your choice of extra large 91 cm pickup hose with stainless steel wand or direct truck connect pickup hose are ideal for use with high viscosity foams. The required inlet pressure is 200 psi for imperial models and either 10 or 11 bar for metric models.

- Flush button for fast cleaning
- Removable metering head
- Hardcoat anodized for corrosion protection
- Maximum allowable back pressure is 8.9 bar

#### 60 Gpm



#### UE-060-NF

- 1.5" (38 mm) female swivel inlet
- 1.5" (38 mm) male outlet

#### 225 L/min



#### UEM-225-BFBF

- 38 mm BSP (1.5") inlet
- 38 mm BSP (1.5") inlet

#### UEP-225-BHBH

- 52 mm BSPM (2.0")
- 52 mm BSPM (2.0")

#### 95 Gpm



#### UE-095-NF

- 1.5" (38 mm) female swivel inlet
- 1.5" (38 mm) male outlet

#### UE-095-NJ-NF

- 2.5" (65 mm) female swivel inlet
- 1.5" (38 mm) male outlet

#### 125 Gpm



#### UE-125-NF

- 1.5" (38 mm) female swivel inlet
- 1.5" (38 mm) male outlet

#### UE-125-NJ-NF

- 2.5" (65 mm) female swivel inlet
- 1.5" (38 mm) male outlet

MODEL NUMBER	THREADS		INLET COUPLING	FLOW RATE @ INLET PRESSURE	FOAM MIX RATIO SETTINGS %	PICKUP HOSE		WEIGHT
	INLET FEMALE	OUTLET MALE				LENGTH / ID	END SIZE / STYLE	
UE-060-NF	1.5" NH (38 mm)	1.5" NH (38 mm)	Full-time Swivel Rocker Lug	60 gpm @ 200 psi (227 l/min @ 13.8 bar)	0.25, 0.5, 1, 3, 6	36" (91 cm) 1" (25 mm)	17" (43 cm) Stainless Steel Wand	4.5 lb (2.0 kg)
UE-095-NF	1.5" NH (38 mm)	1.5" NH (38 mm)	Full-time Swivel Rocker Lug	95 gpm @ 200 psi (360 l/min @ 13.8 bar)	0.25, 0.5, 1, 3, 6	36" (91 cm) 1" (25 mm)	17" (43 cm) Stainless Steel Wand	4.5 lb (2.0 kg)
UE-095-NJ-NF	2.5" NH (65 mm)	1.5" NH (38 mm)	Full-time Swivel Rocker Lug	95 gpm @ 200 psi (360 l/min @ 13.8 bar)	0.25, 0.5, 1, 3, 6	36" (91 cm) 1" (25 mm)	17" (43 cm) Stainless Steel Wand	5.0 lb (2.3 kg)
UE-125-NF	1.5" NH (38 mm)	1.5" NH (38 mm)	Fulltime Swivel Rocker Lug	125 gpm @ 200 psi (473 l/min @ 13.8 bar)	0.25, 0.5, 1, 3, 6	36" (91 cm) 1" (25 mm)	17" (43 cm) Stainless Steel Wand	4.7 lb (2.1 kg)
UE-125-NJ-NF	2.5" NH (65 mm)	1.5" NH (38 mm)	Fulltime Swivel Rocker Lug	125 gpm @ 200 psi (473 l/min @ 13.8 bar)	0.25, 0.5, 1, 3, 6	36" (91 cm) 1" (25 mm)	17" (43 cm) Stainless Steel Wand	5.0 lb (2.3 kg)
UEM-225-BFBF	38 mm BSPF (1.5")	38 mm BSPM (1.5")	Knurled Extended Swivel	225 l/min @ 11 bar	0.25, 0.5, 1, 3, 6	91 cm (36") 25 mm (1")	43 cm (17") Stainless Steel Wand	2.5 kg (5.5 lb)
UEP-225-BHBH	52 mm BSPM (2.0")	52 mm BSPM (2.0")	Male Thread Swivel	225 l/min @ 10 bar	0.25, 0.5, 1, 3, 6	91 cm (36") 25 mm (1")	43 cm (17") Stainless Steel Wand	2.9 kg (6.5 lb)

## IN-LINE FOAM EDUCATOR SERIES

### 250 & 350 Gpm and 1000 & 1500 L/min

250 & 350 gpm in-line foam educators have a metering head with easy to read knob for use with Class A foam at .5% and with Class B foam at 1%, 3% and 6%. Large 2.4 m long industrial grade, clear pickup hose is ideal for use with high viscosity foams. Easy to read Go/NoGo gauge on outlet shows back pressure on educator in PSI and BAR.

- Flush button for fast cleaning
- Removable metering head
- Hardcoat anodized for corrosion protection
- 25 mm male cam lock on metering head



350 Gpm

UE-350-NJ

- UE-350-NJ inlet pressure is 13.8 bar
- Maximum allowable back pressure is 8.9 bar
- 25mm Cam Lock / Notched hose end

MODEL NUMBER	THREADS		INLET COUPLING	FLOW RATE @ INLET PRESSURE	FOAM MIX RATIO SETTINGS %	PICKUP HOSE		WEIGHT
	INLET FEMALE	OUTLET MALE				LENGTH/ ID	END SIZE/ STYLE	
UE-350-NJ	65 mm	65 mm	Full-time Swivel Rocker Lug	1325 l/min @ 13.8 bar	0.5, 1, 3, 6	2.4 m 32 mm	25 mm Cam Lock / Notched hose end	6.8 kg



UE950

MODEL NUMBER	DESCRIPTION	WEIGHT
UE950	25 mm Single cam lock connection on 32 mm x 2.4 m long black hose. Flexible at low temperatures and UV resistant.	1.6 kg

## LOW EXPANSION FOAM ATTACHMENT FOAMJET™

Make your TFT nozzle a high performance foam nozzle with the FOAMJET air-aspirating attachment. Simple, rugged and dependable, the FOAMJET can be quickly attached to your TFT nozzle. The FOAMJET provides superior foam-making ability with most foam concentrates. When used with AFFF and Class A foams, the FOAMJET can develop expansion ratios of 6:1. This thick foam blanket has better extinguishing ability and is

longer lasting than foam from non-aspirated nozzles. The attachment can be easily removed in seconds for a water-only or non-aspirated stream. FOAMJET is used in straight stream position only.

Constructed of molded rubber, stainless steel, and lightweight nickel plated aluminum.



FJ-U

FJ-HM  
FJ-H

MODEL	FITS NOZZLE	FRONT END	LENGTH	WEIGHT
FJ-U	Ultimatic	Flexible Rubber	16.5 cm	0.5 kg
FJ-HM	Mid-Matic, Mid-Force, Metro 1 & Working Fire	Flexible Rubber	21.6 cm	1.2 kg
FJ-H	Handline, Dual-Force, & Metro 2	Flexible Rubber	22.5 cm	1.2 kg

## FOAMJET™LX

The FOAMJET-LX is a lightweight, low-expansion foam-making, air-aspirating attachment. Simple, rugged and dependable, the FOAMJET-LX can be quickly attached and provides superior foam-making ability with most foam concentrates. When used with AFFF and Class A Foams, the FOAMJET-LX can develop a thick foam blanket which has better extinguishing ability and

is longer lasting than foam from non-aspirating nozzles. The FOAMJET-LX can easily be removed in seconds for a water-only or non-aspirated stream. It is constructed of durable UV stabilized polyethylene, stainless steel, and aluminum. FOAMJET-LX is used in straight stream position only.



FJ-LX-FQ  
FJ-LX-HM

MODEL	FITS NOZZLE	LENGTH	WEIGHT
FJ-LX-FQ	QuadraFog 38 mm	51.3 cm	1.4 kg
FJ-LX-HM	Mid-Matic, Mid-Force, Metro 1 & Working Fire	51.3 cm	1.4 kg

## MX FOAMJET™ and FOAMJET™LX FOR MASTER STREAM NOZZLES

The MX-FOAMJET & FOAMJET-LX for Master Stream Nozzles are lightweight, low & multi expansion foam-making, air-aspirating attachments. Simple, rugged and dependable, the MX-FOAMJET & FOAMJET-LX can be quickly attached and provide superior foam-making ability with most foam concentrates. When used with AFFF and Class A Foams, the MX-FOAMJET & FOAMJET-LX can develop a thick low and

multi-expansion foam blanket which has better extinguishing ability and is longer lasting than foam from non-aspirating nozzles. The MX-FOAMJET & FOAMJET-LX can easily be removed in seconds for a water-only or non-aspirated stream. Rotating the MX-FOAMJET gives you the unique ability to vary the expansion ratio and stream reach of the finished foam. FOAMJET-LX is used in straight stream position only.



FJ-MX-MD

FJ-LX-M

MODEL	FITS NOZZLE	LENGTH	WEIGHT
FJ-MX-MD	Max-Series and ZN Series Industrial Nozzle	41.1 cm	2.1 kg
FJ-LX-M	Master Force, Master Stream 1000 & 1250S & Master Foam 950-290 l/min	64.3 cm	2.9 kg

Constructed of durable UV stabilized polyethylene and aluminum

# MULTI EXPANSION FOAM ATTACHMENT MX FOAMJET™

The MX-FOAMJET is a simple to attach, lightweight multi-expansion foam-making attachment for your Task Force Tips nozzle. The MX-FOAMJET has the unique ability to vary the expansion ratio and the stream reach of the finished foam.

Foam expansion and reach can be controlled by varying the stream pattern of the nozzle. The ability to regulate the reach and expansion ratio is unique to the MX-FOAMJET. It can be easily removed in seconds for a water-only or non-aspirated stream.



MODEL	FITS NOZZLE	DIAMETER	LENGTH	WEIGHT
FJ-MX-D	Twister 25 mm Series	13.0 cm	26.9 cm	0.6 kg
FJ-MX-DQ	Quadrafog 25 mm Series	18.8 cm	32.0 cm	1.0 kg
FJ-MX-F	Twister 38 mm series	18.8 cm	32.0 cm	1.0 kg
FJ-MX-FQ	Quadrafog 38 mm Series	18.8 cm	38.6 cm	1.5 kg
FJ-MX-FT	ThunderFog Series	21.8 cm	43.2 cm	2.4 kg
FJ-MX-HM	Mid-Force, Mid-Matic, Metro 1 & Working Fire Series	18.8 cm	39.1 cm	1.5 kg
FJ-HMX	Handline, Dual-Force & Metro 2 Series	21.8 cm	39.7 cm	1.4 kg

FJ-MX-D, FJ-MX-FT, FJ-MX-HM, FJ-UMX and FJ-HMX constructed from durable UV stabilized polyethylene and hardcoat anodized aluminum.

FJ-MX-DQ, FJ-MX-F and FJ-MX-FQ constructed from durable UV stabilized polypropylene and hardcoat anodized aluminum.



## PORTABLE MULTI-PURPOSE FOAM SYSTEM PRO/pak®

TFT's PRO/pak foam injection and application system is the ideal choice and works with most Class A and Class B foams.

Everything you need is contained in one package that attaches to the end of your 25 or 38 mm fire hose. The PRO/pak has a high impact 9.5 l foam reservoir with a built-in eductor that can be set to the ratio of foam or wetting agents being used. A large, easy-open fill port has an indicator to show the type of liquid in the tank. Flow is controlled by a twist grip valve that also functions as a carrying handle.

With three different quick connect nozzles included, the PRO/pak system is capable of producing low or medium expansion finished foam, while operating at low inlet pressures.

- Rapid Suppression Foam System That Is Rugged, Compact and Lightweight
- Works with most Class A and Class B Foam Concentrates
- Inlet Pressures from 3 to 34.5 bar, with a Nominal Flow of 45 l/min at 7 bar.



Additional threads available upon request. Individual components can be purchased separately. A complete list of accessories is available online.



Model	Coupling	Thread	Units/Text
UM12	1.0" (25 mm)	NH	US/English
UM12-NF	1.5" (38 mm)	NH (Angled Coupling)	US/English
UM45-25MM	25 mm	Storz (Angled Coupling)	Metric/English
UM45-BD	25 mm	BSP	Metric/English
UM45-SH	52 mm	Storz (Angled Coupling)	Metric/English
UMP45-BD	25 mm	BSP	Metric/Portuguese
UMP45-SH	52 mm	Storz (Angled Coupling)	Metric/Portuguese
UMS45-BD	25 mm	BSP	Metric/Spanish
UMS45-NF	38 mm	NH (Angled Coupling)	Metric/Spanish
UPG-45-BD	25 mm	BSP	Metric/German
UPI-45-BD	25 mm	BSP	Metric/Italian
PRO/pak Individual Components			
U-B	PRO/pak Storage Bracket		
U-PN12	Piercing Nozzle 102 cm		
U-HS	Discharge Hose 82cm		
U-HS12	Discharge Hose 3.7 m		
U-HS25	Discharge Hose 7.6 m		





# APPLIANCES

Fighting fire is all about getting enough water on the fire. Our revolutionary BIV lines provide a high-volume path for water as it moves from your water source — a firefighting apparatus, hydrant, or alternative water supply — to your pump's intake. Other appliances in the line include wyes, siamese, and a range of LDH equipment including the versatile Oasis™ for hydrant boosting and in-line relay operations.





## FORESTRY VALVE

### Forestry Tee Valves

TEE VALVE has a hardcoat anodized cast aluminum body with 38 mm threads and 25 mm branch outlet. The valve stem has a durable nylon handle. The 6.4 cm hexagon body is 12.1 cm long.



ATNF-ID

MODEL	THREADS		INLET COUPLING	TEE VALVE BRANCH	LENGTH	WEIGHT
	INLET	OUTLET				
ATNF-ID	38 mm NH	38 mm NH	Hexagon Fixed	25 mm NPSH	12.1 cm	0.5 kg

## FORESTRY VALVE

### Gated Wyes

FORESTRY GATED WYE has a cast aluminum body with 25 mm ball type valves and optional long or short nylon valve handles. Hardcoat anodized finish. Inlet and outlet threads are available in various combinations of 25 mm & 38 mm NH.

Pressure tested to 70 bar and is 12.7 cm long by 14 cm wide, excluding handles. See charts for model numbers. NPSH threads available at no extra cost. Please specify NPSH in description.



AYLND-ND  
AYLNF-NF



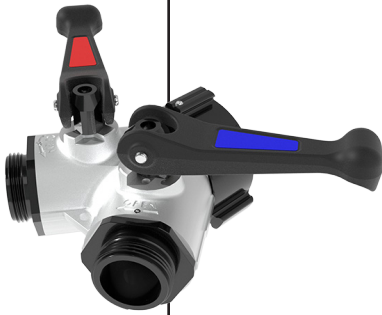
AYSNF-NF

MODEL	THREADS		COUPLING	VALVE HANDLE	LENGTH	WEIGHT
	INLET FEMALE	OUTLET MALE				
AYLND-ND	25 mm NH	25 mm NH	Rocker Lug Swivel	Long Handle	12.7 cm	1.0 kg
AYLNF-NF	38 mm NH	38 mm NH	Rocker Lug Swivel	Long Handle	12.7 cm	1.0 kg
AYSNF-NF	38 mm NH	38 mm NH	Rocker Lug Swivel	Short Handle	12.7 cm	1.0 kg



## GATED WYE

### Gated Wyes 65 mm x 38 mm



#### AYNJ-NF

- Quarter-turn aluminum ball valves provide a positive shut-off
- Hardcoat anodized couplings
- Rugged lightweight aluminum alloy casting with durable powder coat finish inside and out
- Full flow 38 mm ball waterway
- Super tough nylon color coded folding handles



#### AYSNJ-NF

- Quarter-turn aluminum ball valves provide a positive shut-off
- Hardcoat anodized couplings
- Rugged lightweight aluminum alloy casting with durable powder coat finish inside and out
- Full flow 38 mm ball waterway
- Hardcoat anodized aluminum color coded short handles

MODEL	THREADS		COUPLING	VALVE HANDLE	LENGTH	WEIGHT
	INLET FEMALE	OUTLET MALE				
AYNJ-NF	65 mm NH	(2) 38 mm NH	Rocker Lug Swivel	Long Folding Handles	15.2 x 17.1 cm	1.6 kg
AYSNJ-NF	65 mm NH	(2) 38 mm NH	Rocker Lug Swivel	Short Handles	13.2 x 17.1 cm	2.2 kg

## GATED WYE

### 65 mm

NFPA  
COMPLIANT

TFT's 65 mm Gated Wye is a lightweight wye with a full 65 mm waterway. 20 bar operating pressure from either side of valve. Field replaceable valve seats. Quarter turn folding valve handles for the ultimate in compactness. Low force to move valve even under pressure. Cast in carrying handle. Automatic valve lock

keeps valve position while flowing at partial openings. Pipe threaded ports for pressure gauge and bleed valve. Holes for cap tether attachment. Aluminum casting is hardcoat anodized and silver TFT-powder coat finish inside and out for maximum corrosion protection.



MODEL	THREADS		COUPLING		VALVE HANDLE	LENGTH	WEIGHT
	INLET	OUTLET	INLET	OUTLET			
AY5NJ-NJ	65 mm NH	(2) 65 mm NH	Rocker Lug Swivel	Male Threaded	Long Handle	23 H x 27 W x 19 D cm	4.7 kg

AY175-KIT - GAUGE KIT is available for the AY Series Gated Wye.

A1621-KIT - VENT DRAIN KIT is available for the AY Series Gated Wye.

Information can be found in the Technical Data section of the catalog.


### 3-WAY VALVED MANIFOLD

TFT's 3-Way Valved Manifold is a rugged manifold with three 64 mm valved discharge ports, each with a full 64 mm waterway. Maximum operating pressure is 300 psi (20 bar). Valve seats are field replaceable. Quarter turn valve handles operate with low force to move even under pressure. Automatic valve lock keeps its position while flowing at partial openings. Folding handles

minimize storage space. Aluminum casting is hardcoat anodized and silver TFT Powder Coat finish inside and out for maximum corrosion protection. Optional adjustable pressure relief valve. Optional rugged 3/4" (19 mm) air bleed valve to quickly bleed air from the lines or to drain water from the valve housing.

AL3

SIDE A  
INLET



WITH PRV

Dimensional Maximum

11.3 kg

29.2 cm Height

38.1 cm Width

44.50 cm Depth

WITH OUT PRV

Dimensional Maximum

10.4 kg

22.2 cm Height

38.1 cm Width

44.50 cm Depth

MODEL	A INLET SIDE	PRV
AL32P1	100 mm Storz	Yes
AL32T0	125 mm Storz	No
AL32T1	125 mm Storz	Yes
3-Way Manifold Supplied with 64 mm Male Outlets.		


### 3-WAY SIAMESE MANIFOLD

TFT's 3-Way Valved Siamese Manifold is a rugged siamese manifold with three 2.5" (64 mm) valved inlet ports, each with a full 2.5" (64 mm) waterway. Maximum operating pressure is 300 psi (21 bar). Valve seats are field replaceable. Quarter turn valve handles operate with low force to move even under pressure. Automatic valve lock keeps its position while flowing at partial

openings. Folding handles minimize storage space. Aluminum casting is hardcoat anodized and silver TFT Powder Coat finish inside and out for maximum corrosion protection. Optional adjustable pressure relief valve. Optional rugged 3/4" (19 mm) air bleed valve to quickly bleed air from the lines or to drain water from the valve housing.

AL72T0

SIDE A  
INLET



Dimensional Maximum

10.1 kg

22.2 cm Height

38.1 cm Width

44.50 cm Depth

MODEL	A INLET SIDE	PRV
AL72T0	125 mm Storz	No
3-Way Siamese Manifold Supplied with 64 mm Female Swivel Rocker Lug Inlets.		

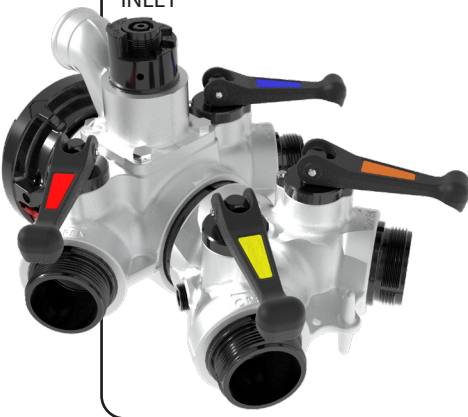
To change a Storz from rigid to full-time swivel, back out the lockout screw until the coupling moves freely. Refer to the diagram found in the Technical Data section of the catalog.

All 6" Storz couplings have an adjustable seal compression feature

## 4-WAY VALVED MANIFOLD

TFT's 4-Way Valved Manifold is a rugged manifold with four 65 mm valved discharge ports, each with a full 65 mm waterway. Maximum operating pressure is 20 bar. Valve seats are field replaceable. Quarter turn valve handles with low force to move even under pressure. Automatic valve lock keeps its position while flowing at partial openings.

Folding handles minimize storage space. Aluminum casting is hardcoat anodized and silver TFT Powder Coat finish inside and out for maximum corrosion protection. Optional adjustable pressure relief valve. Optional rugged 19 mm air bleed valve to quickly bleed air from the lines or to drain water from the valve housing.



AL4  
SIDE A  
INLET

	WITHOUT PRV
	Dimensional Maximum
	12.4 kg
	22.2 cm Height
	38.1 cm Width
	44.50 cm Depth
	WITH PRV
	Dimensional Maximum
	13.60 kg
	29.2 cm Height
	38.1 cm Width
	44.50 cm Depth

MODEL	A INLET SIDE	PRV
AL42T1-DSC*	125 mm Storz	Yes
AL42T0	125 mm Storz	No
AL42T1	125 mm Storz	Yes
4-Way Manifold Supplied with 65 mm Male Outlets.		

\* With detent Slow Close valves

To change a Storz from rigid to full-time swivel, back out the lockout screw until the coupling moves freely. Refer to the diagram found in the Technical Data section of the catalog.

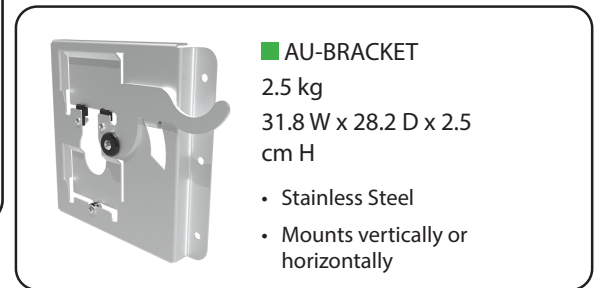
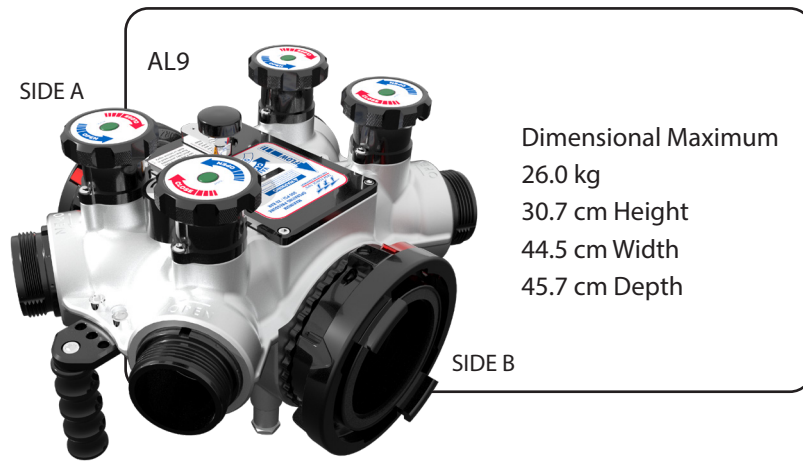


## 5-WAY VALVED MANIFOLD

The 5-Way Manifold is a compact, portable, low friction-loss valve that can be used in many water distribution applications. The hydraulically actuated slide valve is combined with four of TFT's 65 mm slow close valves. Multi-turn knob meets slow close requirements, prevents water hammer. Includes a visual valve position indicator and makes for the ultimate in versatility. All four 65 mm valves can be used with or without the LDH valve being open. Valve seats are field replaceable.

The automatic valve lock on the 65 mm valves maintain valve position while flowing at partial openings. Device includes carrying handle, a pressure gauge and pressure relief valve (PRV). A polymer bearing ring helps prevent galvanic corrosion on LDH couplings.

Storage bracket available.



MODEL	DESCRIPTION
AL92P2P3-SC	5 Way Manifold - 100 mm Storz X 100 mm Storz with 20 bar PRV, Slow Close Valves
AL92T2T3-SC	5 Way Manifold - 125 mm Storz X 125 mm Storz with 20 bar PRV, Slow Close Valves

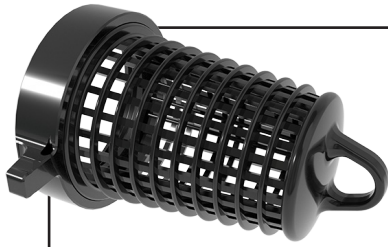
5-Way Manifold Supplied with 65 mm Male Outlets.

To change a Storz from rigid to full-time swivel, back out the lockout screw until the coupling moves freely. Refer to the diagram found in the Technical Data section of the catalog.

## BARREL STRAINER

JUMBO BARREL STRAINER - Heavy duty barrel strainer gives maximum flow capability. The impact resistant polymer won't dent when dropped and won't corrode even in contaminated water. The wavy straining pattern resists debris sucking flat

against the holes. 240 holes total 310 cm<sup>2</sup> of flow area. An oversize loop makes tying off the strainer easy. The coupling is made from hard anodized aluminum and rotates easily on a polymer bearing ring.



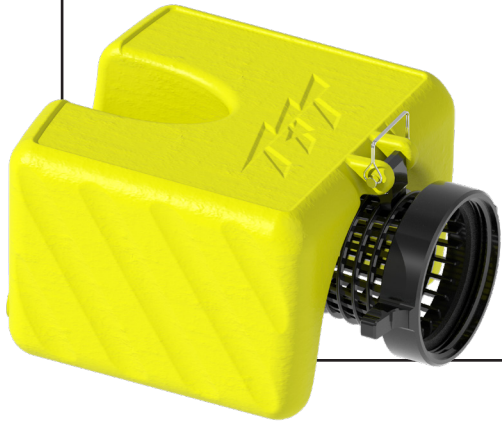
A02  
1.8g  
30.5 cm Length  
20.3 cm Diameter

MODEL	COUPLING
A02NJ	65 mm NH Swivel Female Rocker Lug
A02HNX	150 mm NH Swivel Female Long Handle
A02NPM	100 mm NH Rigid Male Rocker Lug

## FLOATING BARREL STRAINER

The Floating Barrel Strainer includes an integrated detachable float that is compact, and both the float and strainer are constructed of rugged, corrosion proof, hi-tech polymers. The flow efficient design permits high flows and can be used in open

bodies of water or portable tanks. The swivel inlet allows quick and easy installation to suction hose.



A06  
4.3 kg  
51.4 cm Length  
37.8 cm Width  
26.7 cm Height

- Extremely Lightweight – Float and strainer basket made from corrosion proof hi-tech polymers.

- Easily Detachable Float – Quick conversion to simple barrel strainer
- Compact – Stores in small space
- Flow Efficient Design – Permits high flows
- Versatile – Can be used in open bodies of water, or portable tanks
- Swivel Inlet Fitting – Quick and easy installation to suction hose
- Low-riding Barrel – Reduces risk of roll-over

MODEL	COUPLING
A06HNX	150 mm NHF Swivel Female Long Handle
A06ST	125 mm Storz

## FLOATING LOW-LEVEL STRAINER WITH JET SIPHON

Flotation device allows TFT high volume low-level strainer to collect water from ponds, lakes, and rivers while minimizing intake of sediment. The strainer inlet, made of hard anodized and powder-coated aluminum, hangs 45.7 cm below water level to avoid sucking surface air and bottom debris. Capable of supporting up to 9 m of hose, the strainer extends well beyond safety ledges of residential ponds. The clog-resistant stainless steel filter has over twice as much flow area as a 150 mm hose. This keeps friction loss down to 0.03 bar at 5678 l/min and reduces the potential for air vortexes to form. Oversized sealed

ball pivot allows 45° range of hose angle without constricting the flow path. Jet Siphon substantially increases suction lift capability and is also useful for tank shuttle, pump priming and dewatering with no need for a trash pump. Jet Siphon has 38 mm female hose threaded coupling that pivots freely to avoid hose kinks. Rugged polyethylene float is yellow for high visibility and nests compactly over the strainer for minimal storage space. Float removal is not necessary for low level use, although a tethered latching hinge pin allows the float to be removed or installed instantly if desired.



A03HNX-JET-F  
Shown with 150 mm threaded coupling and float in storage position.

15.1 kg  
32.8 cm Height  
37.8 cm Width  
68.8 cm Depth

MODEL	COUPLING	JET SIPHON	FLOATING
A03HNX-JET-F	150 mm NH Swivel Female Long Handle	Jet Siphon with 38 mm NH Female Pivoting Inlet	YES
A03ST-JET-F	125 mm Storz		
A03HNXJETFIF	150 mm NH Swivel Female Long Handle	Jet Siphon NPSH 38 mm Female Pivoting Inlet	
A03SP-JETFIF	125 mm Swivel Female Long Handle		



# FLOW & PRESSURE TESTING

Your safest and most effective fire attack comes from knowing how much you're flowing and at what pressure. TFS's SHO products give you accurate real time data instead of using formulas that only provide estimates. The digital flow meter and pressure gauge connect to any smart device via Bluetooth™ and provide all the information you need via free app. Set Pump Discharge Pressures (PDP) for your truck, determine nozzle reaction and hose friction loss, and more.



## SHO-FLOW® APP

TFT's enhanced dual featured SHO-FLOW® app works either independently with established fire flow formulas, or in conjunction with TFT's SHO-FLOW Bluetooth® Flow meter, determining actual flow rates for fire hose lines and nozzles, in addition to calculating true Pump Discharge Pressures (PDP), Nozzle Reaction, Hose Friction, and allowing for real time NFPA flow testing.

When used in its stand alone water flow calculating mode, SHO-FLOW's app allows both Android or Apple users to calculate flow rate, nozzle reaction, hose friction loss, or to target fire flow rates by using the application's built-in time tested formulas.

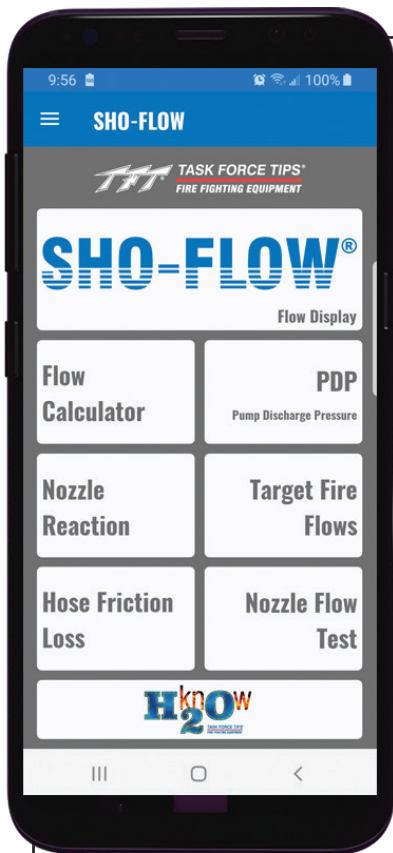
The revolutionary app, designed to deliver information in either metric or USA units, allows custom naming of the team's SHO-FLOW meter device, as well as enabling an unlimited amount of

first responders to see real time flow rate, total water delivered, and device friction loss from up to a quarter mile away.

TFT's SHO-FLOW App is available in SEVEN languages: English, Spanish, German, Japanese, Chinese, French, and Portuguese.

The dynamic app also includes instant links to water flow education videos and recommendations for target fire flows when using water or foam.

The new and improved free application can be downloaded on Google Play or at the App Store. For those who wish additional information on how they can eliminate guessing and let you truly KNOW YOUR FLOW and elevate their operations to the highest level of performance on any fireground, please visit [tft.com](http://tft.com).



FREE APP DOWNLOAD  
SEARCH SHO-FLOW



### SHO-FLOW APP

- Alone it's a feature rich, full function flow calculator – the most comprehensive in the Fire Service

When integrated with TFT's SHO-FLOW Bluetooth Flow Meter.

- Basic formula calculations become pinpoint accurate information used to better train firefighters, standardize operational flows, and simplify incident reporting
- Accurately Create PDPs and SOPs Across All Flow Operations
- Real Time View of Flow Rates and Totals



### SHO-FLOW FLOW METER

- Quickly and accurately determine the flow rate in a hose line, portable monitor, or deck gun
- No batteries or wires – rugged, compact and affordable
- Available Flows:
  - 1.5" (38 mm) – 25-125 gpm (100-500 l/min) and 50-300 gpm (200-1150 l/min)
  - 2.5" (65 mm) – 100-500 gpm (400-2000 l/min) and 500-1250 gpm (2000-5000 l/min)

When integrated with TFT's SHO-FLOW App.

- Totalizes and displays accurate flow rates in Gpm, L/min, GPS, or LPS in real time

The Know Your Flow Superior Combo SHO-FLOW Meter and SHO-FLOW App Superior When Combined, Exceptional On Their Own!



## SHO-FLOW® 1 AND SHO-FLOW® 2 Bluetooth® Flow Meters

The SHO-FLOW BLUETOOTH is a water flow meter that is designed for installation in between any two lengths of hose. Any firefighting, training, or testing operation that utilizes hose lines or nozzles is an application for a SHO-FLOW BLUETOOTH flow meter. The SHO-FLOW BLUETOOTH has no wires to connect and no batteries are needed.

The SHO-FLOW BLUETOOTH App is available to download for free through Apple or Android app stores. The app displays the flow in user-specifiable units and includes calibration, totalizer and diagnostic tools.



### EFF-NFNF300

- Built in stream straightener
- Will pass debris up to 25 mm in diameter
- Choose units you want displayed from your smart device; gpm, gps, l/min or l/sec



### EFJ-BJBJ500

### EFJ-NJNJ500

### EFJ-NJNJ1250

- Built in stream straightener
- Will pass debris up to 43 mm in diameter
- Choose units you want displayed from your smart device; gpm, gps, l/min or l/sec

MODEL	THREADS INLET X OUTLET	FLOW RANGE	LENGTH	WEIGHT
EFF-NFNF300	1.5" NH (38 mm) Female x 1.5" NH (38 mm) Male	200 - 1150 l/min	15.5 cm	1.2 kg
EFJ-BJBJ500	2.5" BSP (65 mm) Female x 2.5" BSP (65 mm) Male	400 - 2000 l/min	18.8 cm	2.0 kg
EFJ-NJNJ500	2.5" NH (65 mm) Female x 2.5" NH (65 mm) Male	400 - 2000 l/min	18.8 cm	2.0 kg
EFJ-NJNJ1250	2.5" NH (65 mm) Female x 2.5" NH (65 mm) Male	2000 - 5000 l/min	18.8 cm	2.0 kg

NPSH or BSP threads are standard options. Call customer service for special threads.

# SHO-GAUGE™

## Bluetooth® Pressure Gauges

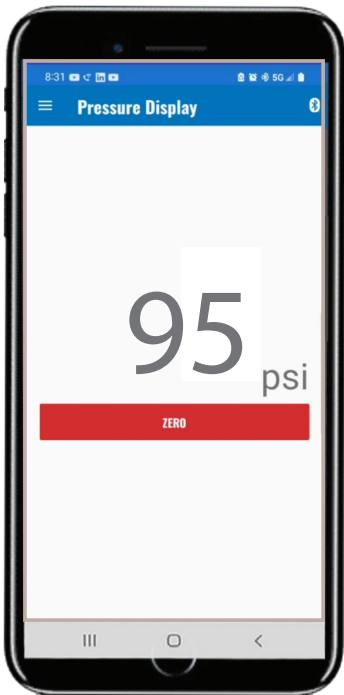
Your ultimate pressure gauge. Read pressures on any smart device via Bluetooth using the SHO-GAUGE App, free from the App Store and the Google Play Store.

The compact, lightweight SHO-GAUGE units easily install on any 38 mm or 65 mm hose line, appliance or monitor. A stand alone SHO-GAUGE can be installed on most other devices like gated wyes and Pitot gauges for accurate pressure readings in PSI, KPa, and Bar

- Real time, accurate pressure readings up to 2000 KPa
- Choose PSI, KPa and Bar in the app
- Protective cover ring
- No wires needed
- App available on the Google and Apple App Stores



Power for the Bluetooth connection is supplied using a CR123A battery that is housed inside the sealed gauge cover.



The SHO-GAUGE App  
 You can download the SHO-GAUGE app on any smart device capable of downloading apps from the App Store or Google Play.



**J25G300BF**  
 • 65 mm  
 • Rigid



**J25G300BS**  
 • 65 mm  
 • +/-20° Pivoting Outlet



**F15G300BF**  
 • 38 mm  
 • Rigid



**EPG300**  
 • 1/4" NPTM

## LINE PRESSURE GAUGES

### 1.5" and 2.5" (38 mm and 65 mm)

Featuring 0-200 psi (0-14 bar) for 2.5" (65 mm) and standpipe applications or 0-300 psi (0-21 bar) gauge designed for use on standpipes, truck outlets, on the ground, or where having a pressure reading is advantageous. System includes a protective ring and replaceable lens cover for the pressure gauge. Swivel inlet coupling and male outlet thread is standard.

The 1.5" (38 mm) and 2.5" (65 mm) in-line pressure gauges feature heavy-duty gauge protection and a replaceable lens.

- Large, easy-to-read, analog gauge displayed in both psi and bar.
- Lightweight and compact
- Reads pressure up to 300 PSI (20 bar)

#### F15G300F

- Gauge has protective ring and lens cover to resist damage
- Ridgid inlet coupling



#### J25G200S

#### J25G300S

- Gauge has protective ring and lens cover to resist damage
- Swivel inlet coupling
- +/- 20° pivoting outlet



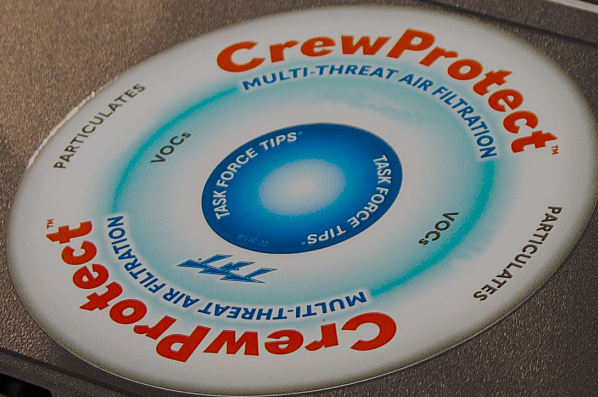
#### J25G200F

#### J25G300F

- Gauge has protective ring and lens cover to resist damage
- Swivel inlet coupling

MODEL	THREADS INLET AND OUTLET	IN-LINE PITOT TYPE GAUGE	LENGTH	WEIGHT
EPG300	1/4" NPT (6 mm) Male Inlet	Bluetooth using SHO-GAUGE App 0-300 psi (0-21 bar)	Diameter 5.2 cm Height 5.6 cm	0.15 kg
J25G300BS	2.5" NH (65 mm) Female x 2.5" NH (65 mm) Male Pivot	Bluetooth using SHO-GAUGE App 0-300 psi (0-21 bar)	20.3 cm	2 kg
J25G300BF	2.5" NH (65 mm) Female x 2.5" NH (65 mm) Male	Bluetooth using SHO-GAUGE App 0-300 psi (0-21 bar)	16.3 cm	1.7 kg
F15G300BF	1.5" NH (38 mm) Female x 1.5" NH (38 mm) Male	Bluetooth using SHO-GAUGE App 0-300 psi (0-21 bar)	10.1 cm	0.7 kg
F15G300F	2.5" NH (65 mm) Female x 2.5" NH (65 mm) Male	Liquid-filled 0-300 psi (0-21 bar) gauge	16.3 cm	1.7 kg
J25G200F	2.5" NH (65 mm) Female x 2.5" NH (65 mm) Male	Liquid-filled 0-200 psi (0-14 bar) gauge	16.3 cm	1.7 kg
J25G300F	2.5" NH (65 mm) Female x 2.5" NH (65 mm) Male	Liquid-filled 0-300 psi (0-21 bar) gauge	16.3 cm	1.7 kg
J25G200S	2.5" NH (65 mm) Female x 2.5" NH (65 mm) Male Pivot	Liquid-filled 0-200 psi (0-14 bar) gauge	20.3 cm	2.0 kg
J25G300S	2.5" NH (65 mm) Female x 2.5" NH (65 mm) Male Pivot	Liquid-filled 0-300 psi (0-21 bar) gauge	20.3 cm	2.0 kg

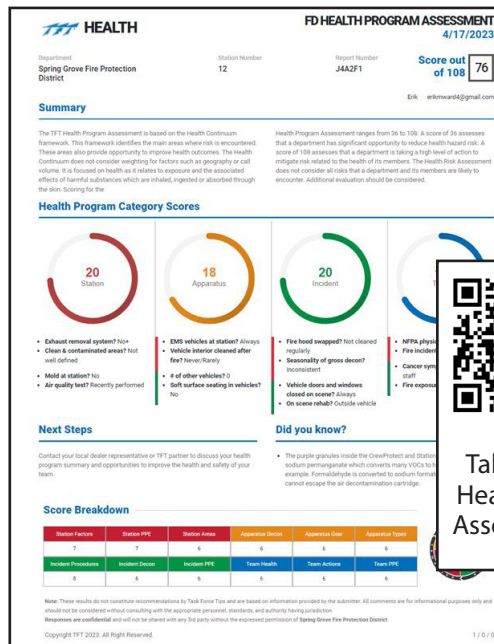




# HEALTH & AIR QUALITY

We are focused on making your world safer, healthier, and more productive. Firefighters are exposed to particulates, volatile organic compounds (VOCs), and molds and have an increased risk of cancer and illness. We believe that you and your crew deserve the best decontamination solutions on scene, in the apparatus, and at the station. Our Continuum of Health approach integrates solutions for Gross Decontamination and Air Decon in both apparatus and public spaces.





# What is the Health Continuum?

How do you approach conversations about health at your department?  
Would a framework make them easier to address?

## An Overview

As we joined your conversations about air and gross decontamination, we recognized a lack of a consistent framework for firefighter health discussions. There is plenty of talk about solutions, but no consistent way to organize your solutions to see if you are addressing all aspects of your life as a firefighter. We felt this was a disservice to the fire service and that reliable, consistent language was needed since these health considerations can have a significant impact on your quality of life.

To help you address and organize this information, we created the Health Continuum. This is a simple framework that can help you evaluate and discuss the health risks and concerns at your department.

## The Structure

The Health Continuum is a single graphic that captures four points of exposure and potential health concern for firefighters. Informed by NFPA (National Fire Protection Association) standards, the graphic includes four broad categories meant to encompass the places a firefighter would experience a health risk on duty: station, apparatus, incident, team.

These four categories are further broken down into common considerations. These categories encompass almost any health risk you and your team would have.

The goal of the graphic is to provide a framework for you to evaluate and discuss any health-related concerns at your department. This makes it easier to address these concerns and build a comprehensive plan to minimize your health risk and exposure.

## Why Should You Use the Health Continuum?

The Health Continuum is a great resource for helping you, your department, and others use the same language when discussing firefighter health concerns.

Using this as a framework, you can examine and address concerns holistically and see how they fit into the larger framework of overall health. You can view and think through multiple exposure points for firefighters and find the habits and solutions that will work for you.

Exposure protection can help you and your crew in the future. Minimizing your exposure at all four points allows you to take control of your health and safety today and in the future.

As a firefighter, you work an inherently dangerous job. The Health Continuum is a tool that can help you evaluate and consider the solutions you need.

[Learn More at TFT.com](https://www.tft.com)

## CREWPROTECT™

CrewProtect is a unique, self-contained and comprehensive air decontamination system for enclosed apparatus cabs, ambulance bodies, and personal vehicles that protects first responders and their passengers from particulate soot, and volatile organic compounds (VOCs).

CrewProtect can be easily installed into new or existing apparatus. Runs on standard 12VDC or 24VDC truck power.

The system draws less than 2.5A in with 12VDC or under 1A with 24VDC and includes mounting brackets.

Most importantly, CrewProtect is safe. Competitive products don't tackle all major threats and may have the unintended consequence of adding more harmful contaminants into the air.

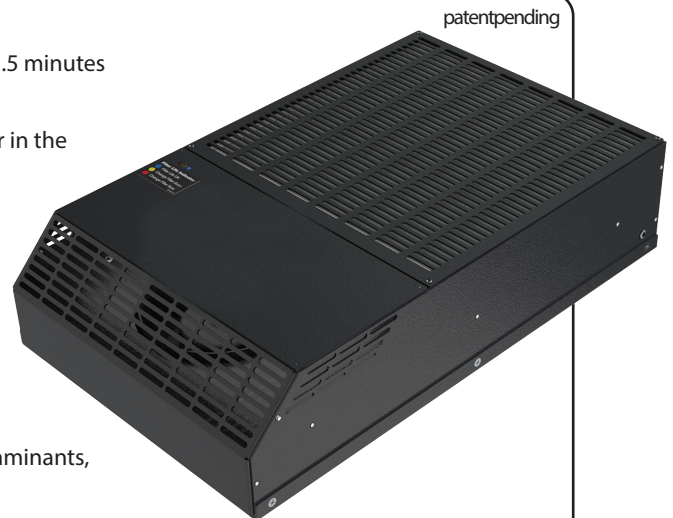
3 year manufacturing defect warranty.

### Color Options



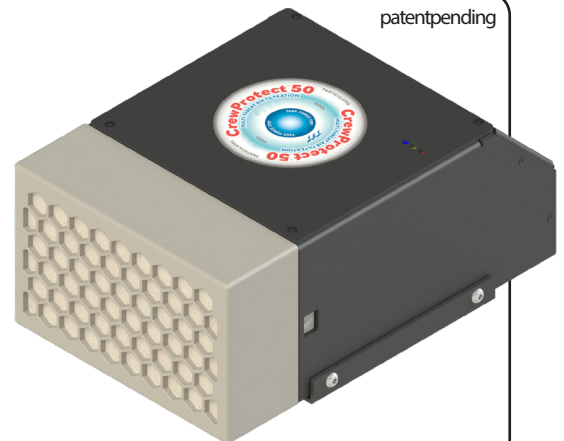
#### CrewProtect 100

- Decontaminates the air in the average cab or ambulance body every 3.5 minutes
- Compact, Quiet, & Automatic
- Can be installed horizontally or vertically in any interior cab location or in the body of any ambulance.
- Connects directly to 12 volt or 24 volt systems
- Automatically runs when the truck is operating.
- Operates at 100 CFM and only 60 decibels (below the NFPA maximum of 80 decibels)
- Fitted with Easy-to-Change, Long Life Cartridges
- Cartridge Life Indicator (Color LED Light, RFID Technology) visual alert when the cartridge needs to be replaced
- Cartridge is designed to completely neutralize harmful chemical contaminants, making it safe to simply discard in the normal trash
- Sturdy, powder coated metal for durability



#### CrewProtect 50

- The CrewProtect 50 is suitable for vehicles roughly the size of your average family SUV
- 12 VDC; Choice of Grey or White powder coated metal body for durability
- Effective in enclosed cabs up to 5.66 cubic meters
- 50 CFM (1.41 CMM)
- Easy-to-read LED lights indicate when the cartridge needs replaced
- Mitigates VOCs, particulates, mold, and smoke
- Suitable for tiller cabs, wildland vehicles, ambulances, SCBA/gear compartments, or tight city cabs. An easy-to-read LED light indicates when the cartridge needs to be replaced



#### CrewProtect 20

The CrewProtect 20 is suitable for vehicles roughly the size of your average family sedan.

- 24 VDC or 12 VDC; Choice of Grey or White powder coated metal body for durability
- Effective in enclosed cabs up to 1.42 cubic meters
- 20 CFM (.57 CMM)
- Easy-to-read LED lights indicate when the cartridge needs replaced
- Mitigates VOCs, particulates, mold, smoke, and aerosols carrying viruses and bacteria



# Pinpoint Your Opportunities Air Card



CC-011

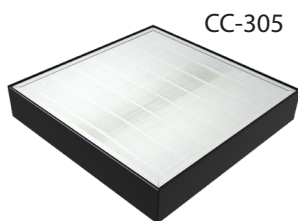
- Place air cards in areas your crew works most often
- Scan the QR code and locate your station in our database
- Wait 30 days
- Scan the QR code a second time
- Enter your results
- Take action

Watch Video

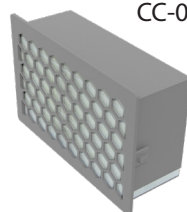


MODEL	DESCRIPTION	AIR FLOW	NOISE LEVEL	CARTRIDGE	CARTRIDGE LIFE	VOLTAGE	COLOR & MATERIAL	DIMENSIONS	
CC-300	CrewProtect 100	100 CFM 2832 cubic l/min 3.5 Minutes to Cycle Air	60 dB	Single Cartridge, Multi-threat (Particulates, and VOCs)  Includes initial cartridge.	6 Months or 1,800 Hours Active Usage	12VDC @ 2.5A (~50W max)	Grey Powder Coated Steel	4.5" x 20" x 12" ≈~0.65 cu.ft.	
CC-301						24VDC @ 1A (~50W max)		115 x 508 x 305 mm ≈~0.18 cu.m	
CC-051	CrewProtect 50	50CFM (1415 L/min) 3 minutes to Cycle Air	45 dB			12VDC @ .4A (~15W max)	Grey Powder Coated Steel	7.25" x 6" x 4" ≈~0.1 cu.ft.	
CC-050							White Powder Coated Steel		
CC-021	CrewProtect 20	20CFM or 28 L/ min, 3 minutes to Cycle Air	45 dB			12VDC @ .4A (~15W max)	Grey Powder Coated Steel	7.25" x 6" x 4" ≈~0.1 cu.ft.	
CC-020							White Powder Coated Steel		
CC-023							24VDC @ 0.2A (~15W max)	Grey Powder Coated Steel	185 x 153 x 100 mm ≈~.003 cu.m
CC-022								White Powder Coated Steel	

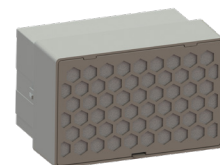
## CREWPROTECT™ REPLACEMENT CARTRIDGES



CC-305



CC-029



CC-059

REPLACEMENT CARTRIDGE / MEDIA US AND INTERNATIONAL	DESCRIPTION
CC-305	CrewProtect 100 replace media when Cartridge Life Indicator LED displays RED. Six Months or 1,800 Hours Active Usage
CC-059	CrewProtect 50 replace media when Cartridge Life Indicator LED displays RED. Six Months or 1,800 Hours Active Usage
CC-029	CrewProtect 20 replace media when Cartridge Life Indicator LED displays RED. Six Months or 1,800 Hours Active Usage



## STATIONPROTECT™

After returning from a fire, PPE and equipment can contain harmful particulates and continue to off-gas for extended periods.

StationProtect cleans the station air and protects crews from cancer causing soot, VOCs and also improves air quality by reducing mold. Useful in gear storage and cleaning areas, sleeping quarters and public spaces.

### Key Features

- Cleans the air in gear rooms, sleeping quarters, and living spaces up to 731 m<sup>2</sup>¶ with an airflow up to 655 cfm
- Quickly and effectively removes particulates, VOCs, molds, and smoke.

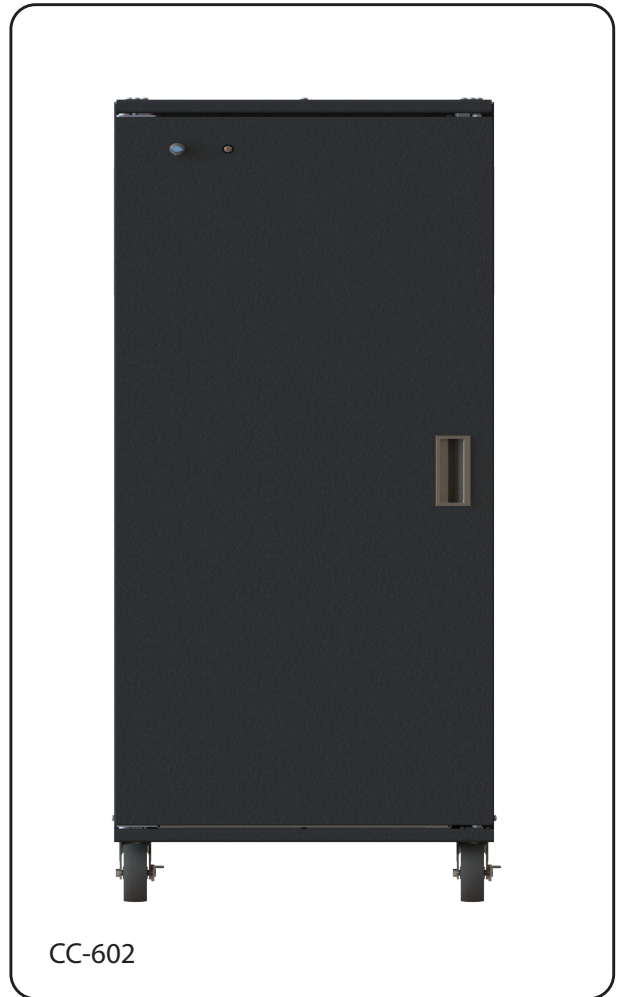
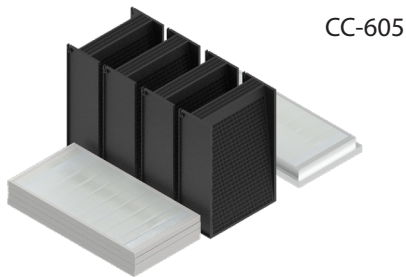
### Cutting Edge Decontamination Technology

- No hassle decontamination modules containing 40 lbs (18 kg) of patented§ decontamination media (replaced annually)
- True HEPA filtration for harmful sub-micron particulate matter

### Easy Operation, Install, and Use

- Portable on casters for placement anywhere in the facility
- Low maintenance, easy to use with a single knob, and works on standard electrical outlets
- Durable brushed aluminum exterior
- 2 year manufacturing defect warranty

## STATIONPROTECT™ REPLACEMENT CARTRIDGES



MODEL	DESCRIPTION	EACH / BOX	AIR FLOW	NOISE LEVEL	VOLTAGE	WEIGHT	MATERIAL	DIMENSIONS
CC-602	StationProtect, USA and International Includes filter kit, for a limited time	1	775 CFM 1317 CMH	40-63 dB(A)	110/220 VAC	77 kg	Powder coated steel	63.5 cm D x 38.1 cm W x 101.6 cm H
CC-605	Annual StationProtect Cartridge Replacement Kit (1 per unit)	1	Annual cartridge pack includes 4 replacement (quarterly) cartridge and annual cartridge media replacement)					

‡ MRIGlobal Project No. 311686.01.001 ¶ With 2 ACH and 8ft ceilings

Copies of the full test reports are available upon request. §Patent number US 9,370,763 B2

**DECON/pak™**  
Portable Decontamination System

The DECON/pak Portable Decontamination System allows for simple and rapid gross decontamination of personnel and equipment at the fire scene or any location with a water source. The tank's capacity is 9.5L for the decontamination agent of choice. The pressure vacuum seal on the lid and inlet debris screen ensure that the approved agent chosen can be stored ready for immediate use and mixed with incoming water from a 25 or 38 mm hoseline.

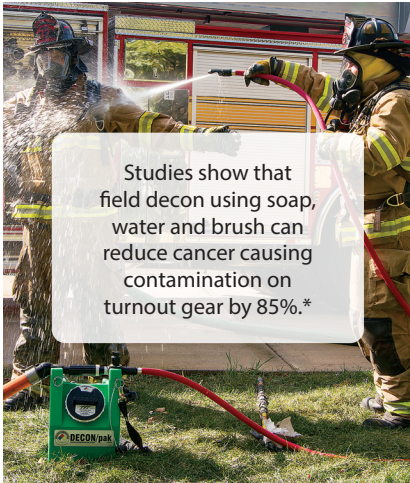
A wide variety of agents can be used and the proportioning system can be adjusted from 0.1 to 0.5% or easily overridden with a flow of just water for rinsing. The unit includes an integrated twist shut-off valve, selective injection metering knob, and is easily disassembled for cleaning. A detachable, hard hitting fan spray nozzle is attached to a 3.7 m discharge hose for ease of use during agent application or rinsing operations. The unit's flow rate is 45 l/min @ 7 bar.

**UM12-D**

- A lightweight, self-contained portable system for rapid gross decon
- Can be used for personnel, PPE and equipment\*\*
- Operational Instructions molded into the side
- Up to 9.5L of agent can be stored in the tank
- Compatible with a wide variety of detergents, and disinfectants
- Single 0.1 to 0.5% proportioning selection and rinse option
- Includes fan shaped nozzle attached to a 3.7 M hose
- Available in a variety of inlet sizes and coupling styles



MODEL	INLET	FLOW	ON TANK INSTRUCTIONS LANGUAGE	INCLUDES
UM12-D	25 mm NH Swivel	12 gpm @ 100 psi	English	Detachable Fan Nozzle and 3.7 m Discharge Hose
UM12-NF-D	38 mm NH Angled Swivel	12 gpm @ 100 psi	English	Detachable Fan Nozzle and 3.7 m Discharge Hose
UM12-15-SF-D	38 mm NH Angled Swivel	12 gpm @ 100 psi	English	Detachable Fan Nozzle and 3.7 m Discharge Hose
UM45-BD-D	25 mm BSPF Swivel	45 l/min @ 7 bar	English	Detachable Fan Nozzle and 3.7 m Discharge Hose
UM45-SH-D	52 mm (2") Swivel Storz	45 l/min @ 7 bar	English	Detachable Fan Nozzle and 3.7 m Discharge Hose
UMS45-BD-D	1.0" (25 mm) BSPF Swivel	45 l/min @ 7 bar	Spanish	Detachable Fan Nozzle and 3.7 m Discharge Hose
Individual Components				
U-FN-TG	Detachable Fan Spray Nozzle			
U-HS12-D	Discharge Hose 3.7 m			
U-B-D	Storage Bracket			




Studies show that field decon using soap, water and brush can reduce cancer causing contamination on turnout gear by 85%.\*

\* Source: Journal of Occupational and Environmental Hygiene DOI: 10.1080/15459624.2017.1334904  
 \*\* Contact your turnout gear manufacturer for cleaning agent recommendation for your specific gear.




# Your Firefighting Learning Hub

**Electric Vehicle Firefighting**  
*What you need to know*



**Water Flow**  
The State of Electric Vehicle Firefighting: 2023  
Jan 30, 2023



[View Article](#)

**READY FOR ANY STANDPIPE OPERATION**



**Water Flow**  
What is Included in the Task Force Tips High Rise Kit?  
Feb 16, 2023



[View Video](#)

**FIREHOUSE STORIES**  
*Stories from the Best and Bravest*




**Firehouse Stories**  
Father Rescues Son with 20+ Year Old Nozzle in Mullins, SC  
Jul 08, 2022




[View Video](#)

**What is Your Nozzle K-Factor?**  
*Develop Your Target Discharge Pressures With Confidence*




**Water Flow**  
Understanding the K-Factor of Your Nozzle  
Dec 19, 2022




[View Article](#)

**Synthetic Fluorine Free Foams (SFFF)**  
*Are you ready for the next big change?*




**Foam**  
Synthetic Fluorine Free Foams - Are You Ready for the Next Big Change?  
Aug 03, 2022




[View Article](#)

**WHAT IS THE HEALTH CONTINUUM**  
tft.com



**Air & Gross Decon**  
The Health Continuum: Addressing Health Concerns at Your Fire Station  
May 17, 2023



[View Article](#)

## Answers to Your Questions



[tft.com/learn](https://tft.com/learn)









### Health & Safety

Apparatus Air Decon Solutions  
Station Air Decon Solutions  
Gross Decon Solutions

### Wildland

Fixed and Remote Control Monitors  
Fixed and Remote Control Nozzles  
Nozzles Handheld  
Valves, Wyes and Tees  
Foam Equipment and CAFS Nozzles  
Tools and Accessories

### Handheld Nozzles

Fixed, Selectable and Automatic  
Standard, Low and Dual Pressure  
Smooth Bores and Ball Valves  
Pressure Gauges and Flow Indicators  
Specialty Nozzles & Accessories

### Industrial

Fixed Station and Portable Monitors  
Master Stream Nozzles  
Self Educating Foam Nozzles & Attachments  
LDH Hardware, Manifolds, Intake and  
Discharge Valves  
Hazardous Location Monitors

### Apparatus Equipment

Fixed and Remote Control Monitors  
and Nozzles  
Intake Valves, Adapters, Elbows and  
Fittings  
Monitor Manifolds  
Tools and Accessories

### Water Supply

Intake Valves  
Jumbo Wyes, Siamese and Gated Manifolds  
Hydrant Assist Valves  
Gated Wyes and Water Thiefs  
Suction Hose Strainers

### Foam Equipment

Green Foam Solutions  
Foam Nozzles and Attachments  
Eductors  
Self-Educting Nozzles  
Foam Injection and Application Systems