

March 1, 2024

Firefighting Equipment for the Best & Bravest



# Full Line Catalog

+New Force Program  
+Adapters

Health  
Wildland  
Industrial  
Fire Attack  
Water Supply  
Foam Delivery  
Apparatus Equipment




# TFT.com




# Your Firefighting Learning Hub

**Electric Vehicle Firefighting**  
*What you need to know*



**Water Flow**  
The State of Electric Vehicle Firefighting: 2023  
Jan 30, 2023

[View Article](#)



**READY FOR ANY STANDPIPE OPERATION**



**Water Flow**  
What is Included in the Task Force Tips High Rise Kit?  
Feb 16, 2023

[View Video](#)



**FIREHOUSE STORIES**  
*Stories from the Best and Bravest*




**Firehouse Stories**  
Father Rescues Son with 20+ Year Old Nozzle in Mullins, SC  
Jul 08, 2022

[View Video](#)




**What is Your Nozzle K-Factor?**  
*Develop Your Target Discharge Pressures With Confidence*



**Water Flow**  
Understanding the K-Factor of Your Nozzle  
Dec 19, 2022

[View Article](#)



**Synthetic Fluorine Free Foams (SFFF)**  
*Are you ready for the next big change?*




**Foam**  
Synthetic Fluorine Free Foams - Are You Ready for the Next Big Change?  
Aug 03, 2022

[View Article](#)




**WHAT IS THE HEALTH CONTINUUM**  
tft.com



**Air & Gross Decon**  
The Health Continuum: Addressing Health Concerns at Your Fire Station  
May 17, 2023

[View Article](#)



## Answers to Your Questions



[tft.com/learn](https://tft.com/learn)

**TABLE OF CONTENTS** .....3-6

**CUSTOMER SUPPORT AND ORDER INFORMATION** .....7

**HEALTH & AIR QUALITY**

- What is the Health Continuum? .....9
- CREWPROTECT™ .....10
- CREWPROTECT™ REPLACEMENT CARTRIDGES .....11
- STATIONPROTECT™ .....12
- STATIONPROTECT™ REPLACEMENT CARTRIDGES .....12
- DECON/PAK™
  - Portable Decontamination System .....13

**FLOW TEST**

- SHO-FLOW® APP .....15
- SHO-FLOW® 1 AND SHO-FLOW® 2 .....16
  - Bluetooth® Flow Meters .....16
- SHO-GAUGE™ .....17
  - Bluetooth® Pressure Gauges .....17
- LINE PRESSURE GAUGES .....18
  - 1.5" and 2.5" (38 mm and 65 mm) .....18-19

**HANDHELD NOZZLES**

- BALL VALVE SERIES .....21
  - 1.0" (25 mm) and 1.5" (38 mm) .....21
  - 1.5" (38 mm) .....22
  - 2.5" (65 mm) .....23-24
- SMOOTHBORE TIPS
  - 1.0" (25 mm) and 1.5" (38 mm) .....25
  - 1.5" (38 mm) .....26
- FOLDING PISTOL GRIPS .....26
- PLAYPIPES .....27
- SMOOTHBORE INSERTS .....27
- STREAM STRAIGHTENERS .....27
- VORTEX® SERIES
  - VORTEX® NOZZLES 1.5" (38 mm) and 2.5" (65 mm) .....28
- VIT™ BALL VALVE SERIES
  - VALVE INTEGRAL TIP 1.5" (38 mm) and 2.5" (65 mm) .....29
- FIXED GALLONAGE
  - METRO™1 NOZZLE SERIES 1.5" (38 mm) .....30-31
  - METRO™2 NOZZLE SERIES 1.5" (38 mm) .....32
  - METRO™2 NOZZLE SERIES 2.5" (65 mm) .....32
  - METRO™2 NOZZLE SERIES 1.5" (38 mm) and 2.5" (65 mm) .....33
- FIXED GALLONAGE with PRESSURE RELIEF
  - WORKING FIRE™ NOZZLE SERIES 1.5" (38 mm) .....34-35
- DUAL GALLONAGE
  - TWISTER™ NOZZLE SERIES 3/4" (19 mm) and 1" (25 mm) .....36
  - TWISTER™ NOZZLE SERIES 1.5" (38 mm) .....37
- DUAL GALLONAGE FOAM
  - BUBBLE CUP® FOAM NOZZLE SERIES 1" (25 mm) .....38
  - BUBBLE CUP® FOAM NOZZLE SERIES 1.5" (38 mm) .....39

**HANDHELD NOZZLES continued**

- SELECTABLE GALLONAGE
  - QUADRAFOG® DQ40 NOZZLE SERIES 1" (25 mm) .....40
  - QUADRAFOG® DQ60 NOZZLE SERIES 1" (25 mm) .....41
  - QUADRAFOG® NOZZLE SERIES 1.5" (38 mm) .....42
  - QUADRAFOG® NOZZLE SERIES METRIC .....43
- SELECTABLE GALLONAGE FOAM
  - QUADRACUP™ FOAM NOZZLE SERIES 1.5" (38 mm) .....44
- SELECTABLE GALLONAGE
  - THUNDERFOG® 200 NOZZLE SERIES 1.5" (38 mm) .....45
  - THUNDERFOG® 250 NOZZLE SERIES 1.5" (38 mm) .....46
  - THUNDERFOG® 250 NOZZLE SERIES 2.5" (65 mm) .....47
- AUTOMATIC
  - ULTIMATIC™ 125 NOZZLE SERIES 1.0" (25 mm) .....48
  - ULTIMATIC™ 125 NOZZLE SERIES 1.5" (38 mm) .....49
  - ULTIMATIC™ METRIC NOZZLE SERIES .....50-51
  - MID-MATIC™ NOZZLE SERIES 1.5" (38 mm) .....52-53
  - HANDLE™ NOZZLE SERIES 1.5" (38 mm) .....54
  - HANDLE™ NOZZLE SERIES 2.5" (65 mm) .....55
  - MID-FORCE™ DUAL PRESSURE NOZZLE SERIES 1.5" (38 mm) .....56-57
- AUTOMATIC FOAM
  - CAFS-FORCE™ 1 and CAFS-FORCE-2 1.5" (38 mm) .....57
- AUTOMATIC
  - DUAL-FORCE® DUAL PRESSURE NOZZLE SERIES 1.5" (38 mm) .....58
  - DUAL-FORCE® DUAL PRESSURE NOZZLE SERIES 2.5" (65 mm) .....59
- SPECIALTY NOZZLES
  - DRY-CHEM AND DUAL AGENT NOZZLE SERIES .....60

**FOAM EQUIPMENT**

- IN-LINE FOAM EDUCTOR SERIES
  - 60, 95 & 125 Gpm and 225 & 450 L/min .....62
  - 250 & 350 Gpm and 1000 & 1500 L/min .....63
- LOW EXPANSION FOAM ATTACHMENT
  - FOAMJET™ .....64
  - FOAMJET™ LX .....64
  - MX FOAMJET™ and FOAMJET™ LX FOR MASTER STREAM NOZZLES .....64
- MULTI EXPANSION FOAM ATTACHMENT
  - MX FOAMJET™ .....65
- FIXED GPM SELF-EDUCTING FOAM NOZZLES
  - MASTER FOAM™ .....66-67

**PORTABLE MONITORS**

- Model Overview and Comparison .....69-73
- BLITZTAC™
  - Portable Monitor with Safety Gating Inlet .....74
- BLITZTAC™ Packages .....75
- BLITZFORCE™
  - Portable Lightweight Attack Monitor .....76
- BLITZFORCE™ Portable Monitor Packages .....76
- BLITZFORCE™ Oscillating
  - PORTABLE LIGHTWEIGHT OSCILLATING ATTACK MONITOR .....77
- BLITZFORCE™ OSC Portable Monitor Packages .....77

Continued next page

**PORTABLE MONITORS continued**

**BLITZFIRE®**  
 Portable Monitor with Safety Shut-off Valve .....78

**BLITZFIRE® Packages** .....**80**

**BLITZFIRE® Oscillating**  
 Oscillating Portable Monitor with Safety Shut-off Valve .....81

**BLITZFIRE® OSC Packages** .....**83**

**BLITZFIRE® High Elevation**  
 High Elevation Portable Monitor with Safety Shut-off Valve .....84

**BLITZFIRE® HE Packages** .....**86**

**BLITZFIRE® High Elevation & Oscillating**  
 High Elevation Oscillating Portable Monitor with Safety Shut-off Valve ...87

**BLITZFIRE® HE OSC Packages** .....**89**

**PORTABLE / DECK GUN MONITOR**  
 CROSSFIRE® SERIES .....90  
 SAFE-TAK™ 1250 CROSSFIRE PORTABLE BASE WITH SAFETY VALVE ...90

**CROSSFIRE® SERIES ACCESSORIES**  
 EXTEND-A-GUN PIPE .....93  
 FLANGE TRUCK MOUNT ADAPTER .....93  
 COMPANION FLANGE .....93  
 TRUCK ADAPTER, 3.0" NPT FEMALE .....93  
 EXTEND-A-GUN RC3/CROSSFIRE ADAPTER .....93

**CROSSFIRE® Packages** .....**94-95**

**HEMISPHERE™**  
 Transportable Monitor.....96  
 Transportable Monitor Mounting Options.....97  
 Transportable Monitor Accessories.....98

**HEMISPHERE™ Packages** .....**100**

**MASTER STREAM NOZZLES MANUAL**

**MAX-SERIES™** .....**102**

**MASTER FORCE™ SERIES**  
 AUTOMATIC 300-800 gpm (1100-3000 l/min) .....103

**VORTEX® 2 AND VORTEX® 3 MANUAL** .....**104**

**SMOOTHBORE TIPS** .....**105**

**SMOOTHBORE STACKED TIPS** .....**105**  
 Four Orifice .....105

**MASTER STREAM STACKED TIP** .....**105**  
 Four Orifice .....105

**STREAM STRAIGHTENER** .....**106**

**MASTER STREAM SERIES**  
 150-1000 gpm (600-3800 l/min) .....107

**MASTER STREAM 1250S SERIES**  
 150-1250 gpm (570-4700 l/min) Small Body .....108  
 300-1250 Gpm (1100-4500 l/min) Large Body .....109

**MASTER STREAM 1500 SERIES**  
 300-1500 gpm (1100-6000 l/min) .....110

**MASTER STREAM 2000 SERIES**  
 300-2000 gpm (1100-7600 l/min) .....110

**INDUSTRIAL**  
 ZN FIXED NOZZLE .....111  
 ZM and ZO Series FIXED NOZZLE .....112

**MASTER STREAM NOZZLES ELECTRIC REMOTE**

**ULTIMATIC™ SERIES**  
 10-125 Gpm (40-500 l/min) Automatic .....113  
 15-120 Gpm (50-450 l/min) Selectable .....113

**MID-MATIC™ SERIES**  
 70 - 200 Gpm (260-760 l/min) Automatic .....114

**ER BUBBLE CUP®**  
 Dual Gallonage Foam Aspirating .....114

**MAX-FORCE™**  
 100 - 500 Gpm (400-2000 l/min) Dual Pressure Automatic .....115

**MAX-MATIC™**  
 100 - 500 Gpm (400-2000 l/min) Automatic .....115

**MASTER STREAM 1000 SERIES ELECTRIC REMOTE**  
 250-1000 gpm (950-3800 l/min) Selectable .....116  
 150-1000 gpm (570-3800 l/min) Automatic .....116

**MASTER STREAM 1250S SERIES ELECTRIC REMOTE**  
 150-1250 gpm (570-4700 l/min) Small Body Automatic .....117

**MASTER STREAM 1250 SERIES ELECTRIC REMOTE**  
 300-1250 gpm (1100-4500 l/min) Large Body Automatic .....118

**MASTER STREAM 1500 SERIES ELECTRIC REMOTE**  
 300-1500 gpm (1100-6000 l/min) Automatic .....119

**MASTER STREAM 2000 SERIES ELECTRIC REMOTE**  
 300-2000 gpm (1100-7600 l/min) Automatic .....120

**VORTEX® 2ER AND VORTEX® 3ER ELECTRIC REMOTE** .....**121**

**TSUNAMI™ STACKED TIPS**  
 4 Orifice .....122

**VORTEX® 6ER ELECTRIC REMOTE** .....**122**

**MASTER STREAM 4000 ELECTRIC REMOTE** .....**122**

**MONITORS AND WATER CANNONS**

**\*NEW FLEX MONITORS\***

**FLEX MOUNTED MONITORS** ..... **126-127**

**LEGACY TO FLEX EQUIVALENTS - MONITORS** .....**128**

**LEGACY TO FLEX EQUIVALENTS - ELECTRONICS** .....**129**

**FLEX ELECTRONIC CONTROLLER OPTIONS** .....**129**

**FLEX ELECTRONIC CANBUS ACCESSORIES** .....**129**

**EF1™ RC**  
 10 to 200 gpm (40 to 750 l/min) .....130

**TORNADO® RC**  
 500 gpm (2000 l/min) .....132

**TORNADO® RC DUST MITIGATION**  
 500 gpm (2000 l/min) Compact Industrial Monitor .....135

**TORNADO® MANUAL MONITOR**  
 500 gpm (2000 l/min) Compact Monitor .....138

**PROTECTOR™ FIXED STATION MONITOR**  
 1250 Gpm (4750 l/min) .....139

**HURRICANE™ MANUAL**  
 1250 gpm (4750 l/min) Fixed Station Monitor .....142

**HURRICANE™ Packages** .....**146**

**HURRICANE™ RC**  
 1250 gpm (4750 l/min) Remote Controlled Monitor .....147

**RADIUS™**  
 1500 gpm (5700 l/min) Manually Controlled  
 Deck Mount Extendable Monitor .....149

**MONITORS AND WATER CANNONS continued**

**TYPHOON™ RC**

Remote Controlled Monitor 1500 gpm (6000 l/min)  
Designed for Pumper Applications .....152

Remote Controlled Monitor - 1500 gpm (6000 l/min)  
Designed for Ladder Applications .....153

**MONSOON® 1250**

Manually Controlled Monitor - 1250 gpm (4750 l/min) .....155

**MONSOON® RC 1250**

Remote Controlled Monitor - 1250 gpm (4750 l/min)  
Designed for Pumper Applications .....158

Remote Controlled High Clearance - 1250 gpm (4750 l/min)  
Designed for Platform Applications .....159

**MONSOON® 2000**

Manually Controlled Monitor - 2000 gpm (7600 l/min) .....161

**MONSOON® RC 2000**

Remote Controlled Deck Monitor - 2000 gpm (7600 l/min)  
Designed for Pumper Applications .....163

**MONSOON® RC 2000.....164**

Remote Controlled High Clearance - 2000 gpm (7600 l/min) Designed For  
Ladder and Platform Applications .....164

**TSUNAMI™ RC**

Remote Controlled Monitor - Up To 8,000 gpm (30,000 l/min) .....166

**RC MONITOR CONTROL ACCESSORIES**

REMOTE CONTROL ACCESSORIES .....168-172

VALVE KITS .....173

GATEABLE VALVE KITS .....174

EXTEND-A-GUN™ VP .....175

3" (75 mm) Pneumatic Telescoping Waterway with Valve .....175

**EXTEND-A-GUNS**

EXTEND-A-GUN™ VP  
3" (75 mm) Pneumatic Telescoping Waterway with Valve .....176

EXTEND-A-GUN™ MANUAL  
3" (75 mm) Manual Telescoping Waterway .....177

EXTEND-A-GUN™ RC3  
3" (75 mm) Remote Control Telescoping Waterway .....178

EXTEND-A-GUN™ RC4  
4" (100 mm) Remote Control Telescoping Waterway .....179

**VALVES**

PRESSURE RELIEF VALVES .....181

VUM VALVE UNDER MONITOR™ .....182-187

IVUM INDUSTRIAL VALVE UNDER MONITOR™ .....188

**APPLIANCES**

BIV BALL INTAKE VALVE™  
Manual and Remote Control Overview .....190-192

JUMBO BIV BALL INTAKE VALVE™ .....193-194

JUMBO LOW PROFILE BIV BALL INTAKE VALVE™ .....195-196

BIV JUMBO BALL INTAKE VALVE™ RC .....197-198

BIV JUMBO LOW PROFILE BALL INTAKE VALVE™ RC .....199-200

45° HI-RISE VALVE  
2.5" (65 mm) Standpipe Connections .....201

45° HI-RISE KIT  
2.5" (65 mm) Configurable for Different Stand Pipe Installations .....202

**APPLIANCES continued**

**FORESTRY VALVE**

Forestry Tee Valves .....203

Gated Wyes .....203

**GATED WYE**

Gated Wyes 2.5" x 1.5" (65 mm x 38 mm) .....204

2.5" (65 mm) .....205

**HYDRANT VALVE**

2.5" (65 mm) .....206

**WATER THIEF**

2.5" x 1.5" (65 mm x 38 mm) .....206

**LDH GATED WYE.....207**

**JUMBO SIAMESE DUAL CLAPPER.....208**

**LDH WATER THIEF.....209**

**3-WAY VALVED MANIFOLD .....210**

**3-WAY SIAMESE MANIFOLD .....210**

**4-WAY VALVED MANIFOLD .....211**

**5-WAY VALVED MANIFOLD .....212**

**OASIS™ HYDRANT ASSIST .....213**

**IN-LINE VALVE.....214**

**BARREL STRAINER .....215**

**FLOATING BARREL STRAINER.....215**

**FLOATING LOW-LEVEL STRAINER WITH JET SIPHON.....216**

**NEW FORCE PRODUCTS**

**INTRODUCTION**

TFT's New Force Family of Products .....217-218

**G-FORCE® NOZZLES**

High Performance Features .....219-220

**G-FORCE® DOMESTIC NOZZLES**

Flow and Pressure Choices .....221

Style of Valve .....221

1.0" (25 mm) and 1.5" (38 mm) .....222-223

**Impulse™ Trigger Valve System .....224**

**G-FORCE® INTERNATIONAL NOZZLES**

25 mm (1.0") - 65 mm (2.5") .....225-226

**G-FORCE® FOAM ATTACHMENTS**

FOAMJET™ .....227

**FLIP TIP® NOZZLES**

FLIP TIP® NOZZLES Domestic and International Features .....228-229

FLIP TIP® NOZZLES DOMESTIC .....230

FLIP TIP® NOZZLES INTERNATIONAL .....230

**PORTABLE MULTI-PURPOSE FOAM SYSTEM**

PRO/pak® .....231-232

**BLITZFORCE™**

Portable Lightweight Attack Monitor .....233

**BLITZFORCE™ Portable Monitor Packages .....233**

**BLITZFORCE™ Oscillating**

Portable Lightweight Oscillating Attack Monitor .....234

**BLITZFORCE™ OSC Portable Monitor Packages .....234**

**Continued next page**

**NEW FORCE PRODUCTS continued**

**LOW PROFILE BALL INTAKE VALVE™** .....235

**TRANSFORMER™ EV NOZZLE SYSTEM**.....236

**PIERCING NOZZLE**

TRANSFORMER™ PA1.....237

TRANSFORMER™ PA2.....238

**THE CHIMNEY SNUFFER™** .....239

**ADAPTERS**

**THREAD CHARTS**.....241

**ADAPTERS - AA SERIES, THREADED**

STYLE 53R AA10 SERIES - Swivel Rocker Lug to Rigid Rocker Lug . . . .242

STYLE 57L AA7H SERIES - Swivel Female Handle to Swivel Female Handle.....242

STYLE 35R AA7 SERIES - Swivel Female Rocker Lug to Swivel Female Rocker Lug . . . . .242-243

STYLE 37R AA5 SERIES - Rigid Female Rocker Lug to Rigid Male . .243-245

STYLE 56L AA5H SERIES - Rigid Female Handle to Rigid Male . . . . .246

STYLE 54R AA11 SERIES - Swivel Rocker Lug to Rigid Male . . . . .246

STYLE 54L AA11H SERIES - Swivel Female Handle to Rigid Male.....247

STYLE 36R AA6 SERIES - Rigid Male Rocker Lug to Rigid Male Rocker Lug . . . . .247-248

**ADAPTERS - AA SERIES, STORZ**

STYLE S37S AA1 SERIES - Storz to Rigid Female Rocker Lug . . . .249-250

STYLE S54L AA1H SERIES - Storz to Rigid Female Handle. . . . .250

STYLE S36S AA2 SERIES - Storz to Rigid Male . . . . .251

STYLE S54R AA3 SERIES - Storz to Swivel Female Rocker Lug . . . . .252

STYLE S60S AA4 SERIES - Storz to Storz . . . . .252

AA12 SERIES - Storz to Swivel Female Rocker Lug . . . . .252

AA12H SERIES - Storz to Swivel Female Handle . . . . .252

**ELBOWS — AH SERIES, THREADED**

STYLE KER AH5 SERIES - Swivel Female Rocker Lug to Rigid Male Rocker Lug . . . . .253

STYLE KEL AH5H SERIES - Swivel Female Handle to Rigid Male Rocker Lug . . . . .253

AH7H SERIES - Swivel Female Handle to Swivel Female Handle . . . . .253

**ELBOWS — AH SERIES, STORZ**

STYLE SKE-R AH1 SERIES - Storz to Swivel Female Rocker Lug . . . . .254

STYLE SKE-L AH1H SERIES - Storz to Swivel Female Handle . . . . .254

AH4 SERIES - Storz to Storz. . . . .254

AH2 SERIES - Storz to Rigid Male Rocker Lug . . . . .254

STYLE SKE-R AH3 SERIES - Storz to Swivel Female Rocker Lug . . . . .255

STYLE SKE-L AH3H SERIES - Storz to Swivel Female Handle . . . . .255

**DETENT ELBOWS — AJ SERIES**

AJ3 SERIES - Storz to Swivel Female Handle . . . . .256

AJ1 SERIES - Storz to Swivel Female Handle . . . . .256

AJ7 SERIES - Swivel Female Rocker Lug to Swivel Female Handle . . . . .256

AJ8 SERIES - Rigid Male Rocker Lug to Swivel Female Handle . . . . .256

**ADAPTER CATALOG continued**

**BLIND CAPS & PLUGS — AO SERIES**

A01 SERIES - Blind Cap Rocker Lug with Lanyard.....257

A01H SERIES - Blind Cap Handle with Lanyard . . . . .257

A05 SERIES - Blind Plug with Lanyard . . . . .258

A01-PA SERIES - Blind Cap Rocker Lug with 1/4" NPTF . . . . .258

A01 SERIES - Adapter with Blind Cap . . . . .258

A01S SERIES - Storz Blind Cap with Lanyard . . . . .258

A01S SERIES - Storz with 1/4" NPTF . . . . .258

**HYDRANT ADAPTERS — AO SERIES**

A04 SERIES - Hydrant Adapter . . . . .259

**HOSE THREAD ADAPTERS**

H-A SERIES - 2.5" Hose Reducing Adapter . . . . .260

J SERIES - Break and Extend Adapter . . . . .260

**FLANGE ADAPTERS**

AA9 SERIES - Storz Outlet . . . . .261

AA9 SERIES - Male Outlet. . . . .261

AA9 SERIES - Female Outlet . . . . .261

**TOOLS**

TOOLS - Spanners, Wrenches, Brackets . . . . .262-263

RES-Q-RENCH® - Spanner . . . . .263

**REPAIR KITS** . . . . .264-265

**THREAD INFORMATION** . . . . .266

**CHANGING STORZ COUPLING LOCK-OUT** . . . . .267

**FLANGE SPECIFICATIONS** . . . . .267

**SMOOTHBORE DISCHARGE AND REACTION** . . . . .268

**FLOW INFORMATION** . . . . .269

**HYDRANT DISCHARGE** . . . . .270

**METRIC CONVERSIONS** . . . . .271

**MONITOR PRESSURE LOSS** . . . . .272

**BIV BALL INTAKE VALVE PRESSURE LOSS** . . . . .272

**VUM VALVE UNDER MONITOR PRESSURE LOSS** . . . . .272

**INDEX**

**ITEM NUMBER INDEX** . . . . .273-278

**CONTACT INFORMATION**

**Address:** Task Force Tips LLC  
3701 Innovation Way  
Valparaiso, IN 46383 USA

**Email:** Service .....service@tft.com  
Sales .....sales@tft.com

**Phone:** USA & Canada .....800-348-2686 or 219-462-6161  
International .....+1-219-462-6161

**Web:** Tft.com

**Social:** Search Task Force Tips     

**CATALOG ITEM PRICING**

TFT has created a separate price list for items found in this catalog. To download the most current price list or to find a PDF version of this document, go to [tft.com/Catalog-Price-List](http://tft.com/Catalog-Price-List). In addition, products on TFT’s website include the current list price.



**SCAN ME**

**THREAD ORDERING INFORMATION**

All products will be delivered with National Hose threads (NH) unless otherwise specified at the time of order.

National Hose threads (NH) per NFPA 1963. British Standard Pipe threads (BSP) with 55 degree Whitworth form are produced to ISO 228. Straight Iron Pipe threads (NPSH, IPT or SIPT) are produced to ANSI/ASME B1.20.7-1991. Tapered Iron Pipe threads (NPT, TPT or TIPT) are produced to ANSI/ASME B1.20.1-1983 (R1992). Consult the factory for further information.

**Thread Code Notation: *There is no additional charge for special threads.*** We maintain a library of hundreds of special thread specifications. Specifications from individual cities with functionally identical threads are grouped together in thread codes. TFT’s code or specifications for threads will be needed at time of order. Please include TPI (threads per inch) and ODM (outside diameter). Also provide name of city to assure special threads match your specification. Some codes may extend normal order delivery times.

Task Force Tips products are available with many optional inlets. Optional inlet coupling styles are normally kept in stock. Consult factory for your specific requirements. For additional information on thread specifications and ordering, see thread information in the Technical Data section in the back of the catalog.

**RETURN POLICY**

Seller will not consider requests for credit returns made more than 180 days after the date of shipment. Shipments received in a damaged condition must be reported to us immediately upon receipt. No credit returns shall be accepted by Seller unless accompanied by a Return Goods Authorization (RGA) issued by Seller. Seller shall have no obligation to issue an RGA. Seller reserves the sole right to determine the eligibility of items for credit.

Items which are received in non-returnable condition for credit will be handled in one of the following ways:

- Destroyed with Purchaser’s approval
- Returned to Purchaser at its expense
- Refurbished and returned to Purchaser at its expense with its approval
- Partial credit issued to Purchaser at the sole discretion of Seller

Seller will have no responsibility or liability in connection with items returned for credit without an RGA. Credit returns arriving without a valid RGA may be refused. All items returned must be properly packed and identified in accordance with the RGA.

All costs and expenses associated with credit returns shall be borne by Purchaser. Return costs and expenses may include labor, material,

administrative, and any other costs and expenses arising out of the return.

A minimum 20% restocking charge will be assessed on all credit returns. Any credit will be subject to and conditioned the receipt of the returned items in new, unused, undamaged and salable condition. All promos that no longer qualify will be reversed. Individual components purchased as part of a "package" may not be returned.

Seller may accept a credit return and waive the restocking or cancellation fee in the event Seller determines that the return was due to an error that was the fault of Seller. Returns for repair do not require an RGA, but should be registered using the TFT website at [tft.com/support](http://tft.com/support). If use of the website is not possible, information concerning repairs can be obtained by calling the Seller’s Customer Care Team at 219-462-6161 or writing to Seller at Task Force Tips, 3701 Innovation Way, Valparaiso, IN 46383, USA. Repair returns may be subject to a repair estimate fee that will be waived if the repair is made.

All credit and repair returns are at Purchaser’s or its customer’s sole risk and expense, and any shipping charges on returned items shall be paid by Purchaser or its customer. No collect shipments will be accepted unless authorized in writing in advance by Seller.

**STATEMENT OF WARRANTY AND REPAIR**

Task Force Tips LLC, 3701 Innovation Way, Valparaiso, Indiana 46383-9327 USA ("TFT") warrants to the original purchaser of its nozzles and other equipment ("equipment"), and to anyone to whom it is transferred, that the equipment shall be free from defects in material and workmanship. The warranty period on most products is five (5) years from the date of manufacture. Select items have either a one (1), two (2), three (3) or ten (10) year warranty. See TFT operations manual for details. TFT’s obligation under this warranty is specifically limited to replacing or repairing the equipment (or its parts) which are shown by TFT’s examination to be in a defective condition attributable to TFT.

To qualify for this limited warranty, the claimant must return the equipment to TFT, at 3701 Innovation Way, Valparaiso, Indiana 46383-9327 USA, within a reasonable time after discovery of the defect. TFT will examine the equipment. If TFT determines that there is a defect attributable to it, TFT will correct the problem within a reasonable time. If the equipment is covered by this limited warranty, TFT will assume the expenses of repair. If any defect attributable to TFT under this limited warranty cannot be reasonably cured by repair or replacement, TFT may elect to refund the purchase price of the equipment, less reasonable depreciation, in complete discharge of its obligations under this limited warranty. If TFT makes this election, claimant shall return the equipment to TFT free and clear of any liens and encumbrances.

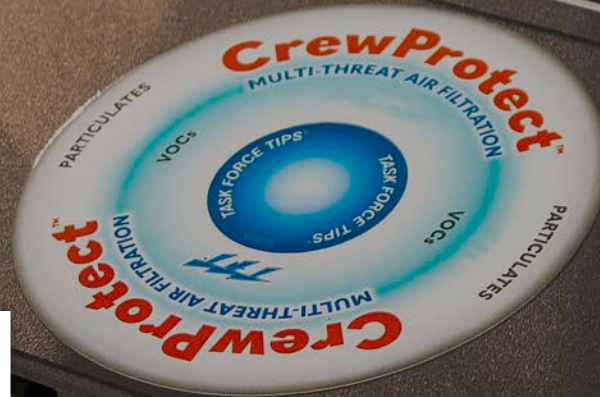
This is a limited warranty. The original purchaser of the equipment, any person to whom it is transferred, and any person who is an intended or unintended beneficiary of the equipment, shall not be entitled to recover from TFT any consequential or incidental damages for injury to person and/or property resulting from any defective equipment manufactured or assembled by TFT. It is agreed and understood that the price stated for the equipment is in part consideration for limiting TFT’s liability. Some states or countries do not allow the exclusion or limitation of incidental or consequential damages, so the above may not apply to you. TFT shall have no obligation under this limited warranty if the equipment is, or has been, misused or neglected (including failure to provide reasonable maintenance) or if there have been accidents to the equipment or if it has been repaired or altered by someone else.

**THIS IS A LIMITED EXPRESS WARRANTY ONLY. TFT EXPRESSLY DISCLAIMS WITH RESPECT TO THE EQUIPMENT ALL IMPLIED WARRANTIES OF MERCHANTABILITY AND ALL IMPLIED WARRANTIES OF FITNESS FOR A PARTICULAR PURPOSE. THERE IS NO WARRANTY OF ANY NATURE MADE BY TFT BEYOND THAT STATED IN THE DOCUMENT.** This limited warranty gives you specific legal rights, and you may also have other rights which vary from state to state.

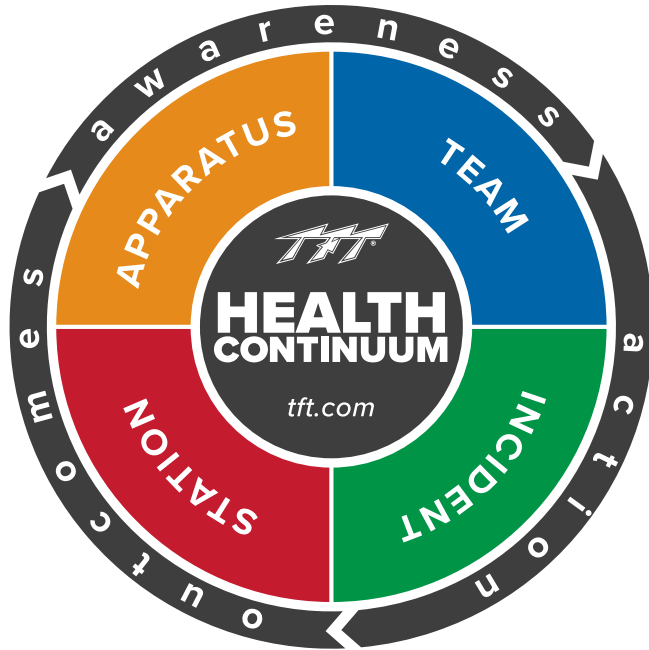


# HEALTH & AIR QUALITY

We are focused on making your world safer, healthier, and more productive. Firefighters are exposed to particulates, volatile organic compounds (VOCs), and molds and have an increased risk of cancer and illness. We believe that you and your crew deserve the best decontamination solutions on scene, in the apparatus, and at the station. Our Continuum of Health approach integrates solutions for Gross Decontamination and Air Decon in both apparatus and public spaces.








# What is the Health Continuum?

How do you approach conversations about health at your department?  
Would a framework make them easier to address?

## An Overview

As we joined your conversations about air and gross decontamination, we recognized a lack of a consistent framework for firefighter health discussions. There is plenty of talk about solutions, but no consistent way to organize your solutions to see if you are addressing all aspects of your life as a firefighter. We felt this was a disservice to the fire service and that reliable, consistent language was needed since these health considerations can have a significant impact on your quality of life.

To help you address and organize this information, we created the Health Continuum. This is a simple framework that can help you evaluate and discuss the health risks and concerns at your department.

## The Structure

The Health Continuum is a single graphic that captures four points of exposure and potential health concern for firefighters. Informed by NFPA (National Fire Protection Association) standards, the graphic includes four broad categories meant to encompass the places a firefighter would experience a health risk on duty: station, apparatus, incident, team.

These four categories are further broken down into common considerations. These categories encompass almost any health risk you and your team would have.

The goal of the graphic is to provide a framework for you to evaluate and discuss any health-related concerns at your department. This makes it easier to address these concerns and build a comprehensive plan to minimize your health risk and exposure.

## Why Should You Use the Health Continuum?

The Health Continuum is a great resource for helping you, your department, and others use the same language when discussing firefighter health concerns.

Using this as a framework, you can examine and address concerns holistically and see how they fit into the larger framework of overall health. You can view and think through multiple exposure points for firefighters and find the habits and solutions that will work for you.

Exposure protection can help you and your crew in the future. Minimizing your exposure at all four points allows you to take control of your health and safety today and in the future.

As a firefighter, you work an inherently dangerous job. The Health Continuum is a tool that can help you evaluate and consider the solutions you need.

[Learn More at TFT.com](https://www.tft.com)

**CREWPROTECT™**

CrewProtect is a unique, self-contained and comprehensive air decontamination system for enclosed apparatus cabs, ambulance bodies, and personal vehicles that protects first responders and their passengers from particulate soot, and volatile organic compounds (VOCs).

CrewProtect can be easily installed into new or existing apparatus. Runs on standard 12VDC or 24VDC truck power.

The system draws less than 2.5A in with 12VDC or under 1A with 24VDC and includes mounting brackets.

Most importantly, CrewProtect is safe. Competitive products don't tackle all major threats and may have the unintended consequence of adding more harmful contaminants into the air.

3 year manufacturing defect warranty.

**Color Options**

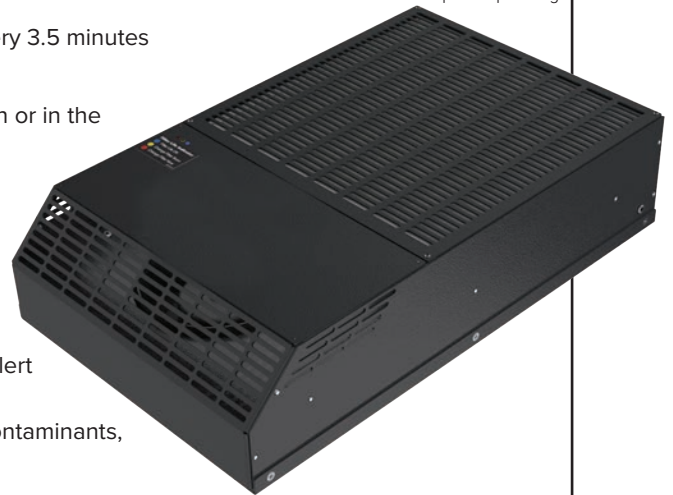
White



Grey

**CrewProtect 100**

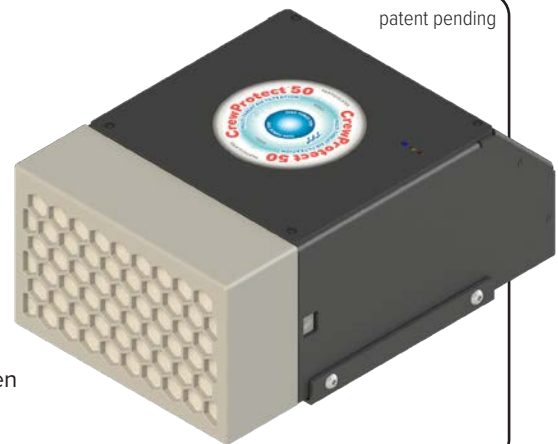
- Decontaminates the air in the average cab or ambulance body every 3.5 minutes
- Compact, Quiet, & Automatic
- Can be installed horizontally or vertically in any interior cab location or in the body of any ambulance.
- Connects directly to 12 volt or 24 volt systems
- Automatically runs when the truck is operating.
- Operates at 100 CFM and only 60 decibels (below the NFPA maximum of 80 decibels)
- Fitted with Easy-to-Change, Long Life Cartridges
- Cartridge Life Indicator (Color LED Light, RFID Technology) visual alert when the cartridge needs to be replaced
- Cartridge is designed to completely neutralize harmful chemical contaminants, making it safe to simply discard in the normal trash
- Sturdy, powder coated metal for durability



patent pending

**CrewProtect 50**

- The CrewProtect 50 is suitable for vehicles roughly the size of your average family SUV
- 12 VDC; Choice of Grey or White powder coated metal body for durability
- Effective in enclosed cabs up to 200 cubic feet (5.66 cubic meters)
- 50 CFM (1.41 CMM)
- Easy-to-read LED lights indicate when the cartridge needs replaced
- Mitigates VOCs, particulates, mold, and smoke
- Suitable for tiller cabs, wildland vehicles, ambulances, SCBA/gear compartments, or tight city cabs. An easy-to-read LED light indicates when the cartridge needs to be replaced

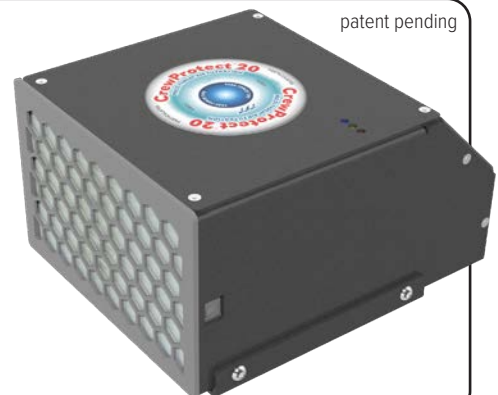


patent pending

**CrewProtect 20**

The CrewProtect 20 is suitable for vehicles roughly the size of your average family sedan.

- 24 VDC or 12 VDC; Choice of Grey or White powder coated metal body for durability
- Effective in enclosed cabs up to 50 cubic feet (1.42 cubic meters)
- 20 CFM (.57 CMM)
- Easy-to-read LED lights indicate when the cartridge needs replaced
- Mitigates VOCs, particulates, mold, smoke, and aerosols carrying viruses and bacteria



patent pending

## Pinpoint Your Opportunities

### Air Card



CC-011

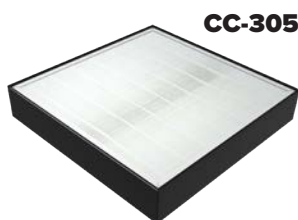
- Place air cards in areas your crew works most often
- Scan the QR code and locate your station in our database
- Wait 30 days
- Scan the QR code a second time
- Enter your results

Watch Video



MODEL	DESCRIPTION	AIR FLOW	NOISE LEVEL	CARTRIDGE	CARTRIDGE LIFE	VOLTAGE	COLOR & MATERIAL	DIMENSIONS	
CC-300	CrewProtect 100	100 CFM 2832 cubic l/min 3.5 Minutes to Cycle Air	60 dB	Single Cartridge, Multi-threat (Particulates, and VOCs)  Includes initial cartridge.	6 Months or 1,800 Hours Active Usage	12VDC @ 2.5A (~50W max)	Grey Powder Coated Steel	4.5" x 20" x 12" ≈~0.65 cu.ft.	
CC-301						24VDC @ 1A (~50W max)		115 x 508 x 305 mm ≈~0.18 cu.m	
CC-051	CrewProtect 50	50CFM (1415 L/min) 3 minutes to Cycle Air	45 dB			12VDC @ .4A (~15W max)	Grey Powder Coated Steel	7.25" x 6" x 4" ≈~0.1 cu.ft.	
CC-050							White Powder Coated Steel		
CC-021	CrewProtect 20	20CFM or 28 L/ min, 3 minutes to Cycle Air	45 dB			12VDC @ .4A (~15W max)	Grey Powder Coated Steel	7.25" x 6" x 4" ≈~0.1 cu.ft.	
CC-020							White Powder Coated Steel		
CC-023							24VDC @ 0.2A (~15W max)	Grey Powder Coated Steel	185 x 153 x 100 mm ≈~.003 cu.m
CC-022								White Powder Coated Steel	

### CREWPROTECT™ REPLACEMENT CARTRIDGES



CC-305



CC-029



CC-059

REPLACEMENT CARTRIDGE / MEDIA US AND INTERNATIONAL	DESCRIPTION
CC-305	CrewProtect 100 replace media when Cartridge Life Indicator LED displays RED. Six Months or 1,800 Hours Active Usage
CC-059	CrewProtect 50 replace media when Cartridge Life Indicator LED displays RED. Six Months or 1,800 Hours Active Usage
CC-029	CrewProtect 20 replace media when Cartridge Life Indicator LED displays RED. Six Months or 1,800 Hours Active Usage

**STATIONPROTECT™**

After returning from a fire, PPE and equipment can contain harmful particulates and continue to off-gas for extended periods.

StationProtect cleans the station air and protects crews from cancer causing soot, VOCs and also improves air quality by reducing mold. Useful in gear storage and cleaning areas, sleeping quarters and public spaces.

**Key Features**

- Cleans the air in gear rooms, sleeping quarters, and living spaces up to 2400 ft<sup>2</sup> (731 m<sup>2</sup>)<sup>¶</sup> with an airflow up to 655 cfm
- Quickly and effectively removes particulates, VOCs, molds, and smoke.

**Cutting Edge Decontamination Technology**

- No hassle decontamination modules containing 40 lbs (18 kg) of patented<sup>§</sup> decontamination media (replaced annually)
- True HEPA filtration for harmful sub-micron particulate matter

**Easy Operation, Install, and Use**

- Portable on casters for placement anywhere in the facility
- Low maintenance, easy to use with a single knob, and works on standard electrical outlets
- Durable brushed aluminum exterior
- 2 year manufacturing defect warranty

**STATIONPROTECT™ REPLACEMENT CARTRIDGES**



MODEL	DESCRIPTION	EACH / BOX	AIR FLOW	NOISE LEVEL	VOLTAGE	WEIGHT	MATERIAL	DIMENSIONS
CC-602	StationProtect, USA and International Includes filter kit, for a limited time	1	775 CFM 1317 CMH	40-63 dB(A)	110/220 VAC	170 lb (77 kg)	Powder coated steel	25" D x 15" W x 40" H (63.5 cm D x 38.1 cm W x 101.6 cm H)
CC-605	Annual StationProtect Cartridge Replacement Kit (1 per unit)	1	Annual cartridge pack includes 4 replacement (quarterly) cartridge and annual cartridge media replacement)					

‡ MRIGlobal Project No. 311686.01.001 ¶ With 2 ACH and 8ft ceilings  
Copies of the full test reports are available upon request. §Patent number US 9,370,763 B2

**DECON/pak™**  
**Portable Decontamination System**

The DECON/pak Portable Decontamination System allows for simple and rapid gross decontamination of personnel and equipment at the fire scene or any location with a water source. The tank's capacity is 2.5 gallons (9.5L) for the decontamination agent of choice. The pressure vacuum seal on the lid and inlet debris screen ensure that the approved agent chosen can be stored ready for immediate use and mixed with incoming water from a 1 or 1.5" (25 or 38 mm) hoseline.

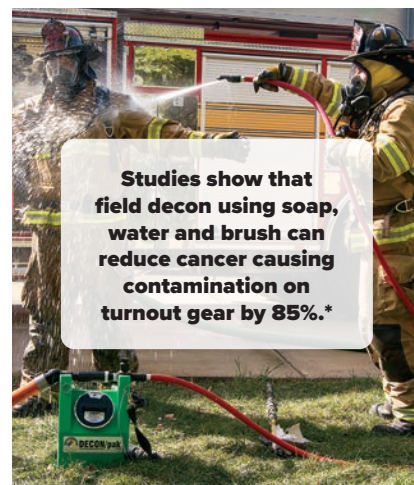
A wide variety of agents can be used and the proportioning system can be adjusted from 0.1 to 0.5% or easily overridden with a flow of just water for rinsing. The unit includes an integrated twist shut-off valve, selective injection metering knob, and is easily disassembled for cleaning. A detachable, hard hitting fan spray nozzle is attached to a 12' (3.7 m) discharge hose for ease of use during agent application or rinsing operations. The unit's flow rate is 12 gpm @ 100 psi (45 l/min @ 7 bar).

**UM12-D**

- A lightweight, self-contained portable system for rapid gross decon
- Can be used for personnel, PPE and equipment\*\*
- Operational Instructions molded into the side
- Up to 2.5 gallons (9.5L) of agent can be stored in the tank
- Compatible with a wide variety of detergents, and disinfectants
- Single 0.1 to 0.5% proportioning selection and rinse option
- Includes fan shaped nozzle attached to a 12' (3.7 M) hose
- Available in a variety of inlet sizes and coupling styles



MODEL	INLET	FLOW	ON TANK INSTRUCTIONS LANGUAGE	INCLUDES
UM12-D	1.0" (25 mm) NH Swivel	12 gpm @ 100 psi	English	Detachable Fan Nozzle and 12' (3.7 m) Discharge Hose
UM12-NF-D	1.5" (38 mm) NH Angled Swivel	12 gpm @ 100 psi	English	Detachable Fan Nozzle and 12' (3.7 m) Discharge Hose
UM12-15-SF-D	.5" (38 mm) NH Angled Swivel	12 gpm @ 100 psi	English	Detachable Fan Nozzle and 12' (3.7 m) Discharge Hose
UM45-BD-D	1.0" (25 mm) BSPF Swivel	45 l/min @ 7 bar	English	Detachable Fan Nozzle and 12' (3.7 m) Discharge Hose
UM45-SH-D	52 mm (2") Swivel Storz	45 l/min @ 7 bar	English	Detachable Fan Nozzle and 12' (3.7 m) Discharge Hose
UMS45-BD-D	1.0" (25 mm) BSPF Swivel	45 l/min @ 7 bar	Spanish	Detachable Fan Nozzle and 12' (3.7 m) Discharge Hose
Individual Components				
U-FN-TG	Detachable Fan Spray Nozzle			
U-HS12-D	Discharge Hose 12 ft (3.7 m)			
U-B-D	Storage Bracket			



\* Source: Journal of Occupational and Environmental Hygiene DOI: 10.1080/15459624.2017.1334904

\*\* Contact your turnout gear manufacturer for cleaning agent recommendation for your specific gear.



# FLOW & PRESSURE TESTING

Your safest and most effective fire attack comes from knowing how much you're flowing and at what pressure. TFT's SHO products give you accurate real time data instead of using formulas that only provide estimates. The digital flow meter and pressure gauge connect to any smart device via Bluetooth™ and provide all the information you need via free app. Set Pump Discharge Pressures (PDP) for your truck, determine nozzle reaction and hose friction loss, and more.

**SHO-FLOW® APP**

TFT's enhanced dual featured SHO-FLOW® app works either independently with established fire flow formulas, or in conjunction with TFT's SHO-FLOW Bluetooth® Flow meter, determining actual flow rates for fire hose lines and nozzles, in addition to calculating true Pump Discharge Pressures (PDP), Nozzle Reaction, Hose Friction, and allowing for real time NFPA flow testing.

When used in its stand alone water flow calculating mode, SHO-FLOW's app allows both Android or Apple users to calculate flow rate, nozzle reaction, hose friction loss, or to target fire flow rates by using the application's built-in time tested formulas.

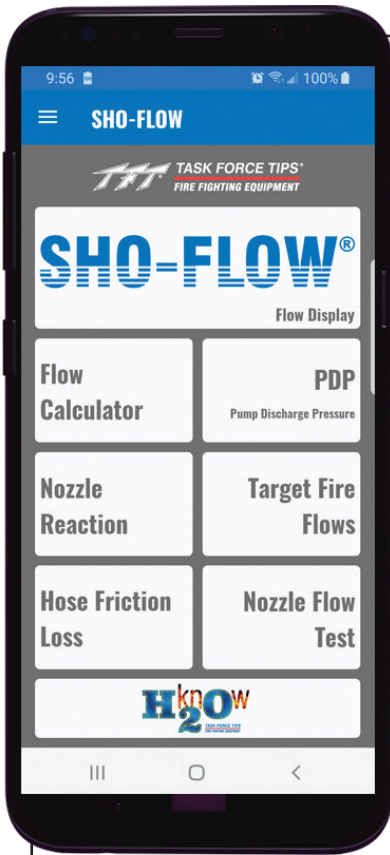
The revolutionary app, designed to deliver information in either metric or USA units, allows custom naming of the team's SHO-FLOW meter device, as well as enabling an unlimited amount of

first responders to see real time flow rate, total water delivered, and device friction loss from up to a quarter mile away.

TFT's SHO-FLOW App is available in SEVEN languages: English, Spanish, German, Japanese, Chinese, French, and Portuguese.

The dynamic app also includes instant links to water flow education videos and recommendations for target fire flows when using water or foam.

The new and improved free application can be downloaded on Google Play or at the App Store. For those who wish additional information on how they can eliminate guessing and let you truly KNOW YOUR FLOW and elevate their operations to the highest level of performance on any fireground, please visit [tft.com](http://tft.com).



**FREE APP DOWNLOAD  
SEARCH SHO-FLOW**



**SHO-FLOW APP**

- Alone it's a feature rich, full function flow calculator – the most comprehensive in the Fire Service

**When integrated with TFT's SHO-FLOW Bluetooth Flow Meter.**

- Basic formula calculations become pinpoint accurate information used to better train firefighters, standardize operational flows, and simplify incident reporting
- Accurately Create PDPs and SOPs Across All Flow Operations
- Real Time View of Flow Rates and Totals



**SHO-FLOW FLOW METER**

- Quickly and accurately determine the flow rate in a hose line, portable monitor, or deck gun
- No batteries or wires – rugged, compact and affordable
- Available Flows:
  - 1.5" (38 mm) – 25-125 gpm (100-500 l/min) and 50-300 gpm (200-1150 l/min)
  - 2.5" (65 mm) – 100-500 gpm (400-2000 l/min) and 500-1250 gpm (2000-5000 l/min)

**When integrated with TFT's SHO-FLOW App.**

- Totalizes and displays accurate flow rates in Gpm, L/min, GPS, or LPS in real time

*The Know Your Flow Superior Combo SHO-FLOW Meter and SHO-FLOW App Superior When Combined, Exceptional On Their Own!*



**SHO-FLOW® 1 AND SHO-FLOW® 2**

**Bluetooth® Flow Meters**

The SHO-FLOW BLUETOOTH is a water flow meter that is designed for installation in between any two lengths of hose. Any firefighting, training, or testing operation that utilizes hose lines or nozzles is an application for a SHO-FLOW BLUETOOTH flow meter. The SHO-FLOW BLUETOOTH has no wires to connect and no batteries are needed.

The SHO-FLOW BLUETOOTH App is available to download for free through Apple or Android app stores. The app displays the flow in user-specifiable units and includes calibration, totalizer and diagnostic tools.



**EFF-NFNF300**

- Built in stream straightener
- Will pass debris up to 1" (25 mm) in diameter
- Choose units you want displayed from your smart device; gpm, gps, l/min or l/sec



**EFJ-BBJ500**

**EFJ-NJNJ500**

**EFJ-NJNJ1250**

- Built in stream straightener
- Will pass debris up to 1.7" (43 mm) in diameter
- Choose units you want displayed from your smart device; gpm, gps, l/min or l/sec

MODEL	THREADS INLET X OUTLET	FLOW RANGE	LENGTH	WEIGHT
EFF-NFNF300	1.5" NH (38 mm) Female x 1.5" NH (38 mm) Male	50 - 300 gpm (200 - 1150 l/min)	6.10" (15.5 cm)	2.6 lb (1.2 kg)
EFJ-BBJ500	2.5" BSP (65 mm) Female x 2.5" BSP (65 mm) Male	100 - 500 gpm (400 - 2000 l/min)	7.40" (18.8 cm)	4.5 lb (2.0 kg)
EFJ-NJNJ500	2.5" NH (65 mm) Female x 2.5" NH (65 mm) Male	100 - 500 gpm (400 - 2000 l/min)	7.40" (18.8 cm)	4.5 lb (2.0 kg)
EFJ-NJNJ1250	2.5" NH (65 mm) Female x 2.5" NH (65 mm) Male	500 - 1250 gpm (2000 - 5000 l/min)	7.40" (18.8 cm)	4.5 lb (2.0 kg)

*NPSH or BSP threads are standard options. Call customer service for special threads.*



**SHO-GAUGE™**  
**Bluetooth® Pressure Gauges**

Your ultimate pressure gauge. Read pressures on any smart device via Bluetooth using the SHO-GAUGE App, free from the App Store and the Google Play Store.

The compact, lightweight SHO-GAUGE units easily install on any 1.5" (38 mm) or 2.5" (65 mm) hose line, appliance or monitor. A stand alone SHO-GAUGE can be installed on most other devices like gated wyes and Pitot gauges for accurate pressure readings in PSI, KPa, and Bar

- Real time, accurate pressure readings up to 300 psi (2000 KPa)
- Choose PSI, KPa and Bar in the app
- Protective cover ring
- No wires needed
- App available on the Google and Apple App Stores



Power for the Bluetooth connection is supplied using a CR123A battery that is housed inside the sealed gauge cover.



- J25G300BF**
- 2.5" (65 mm)
  - Rigid



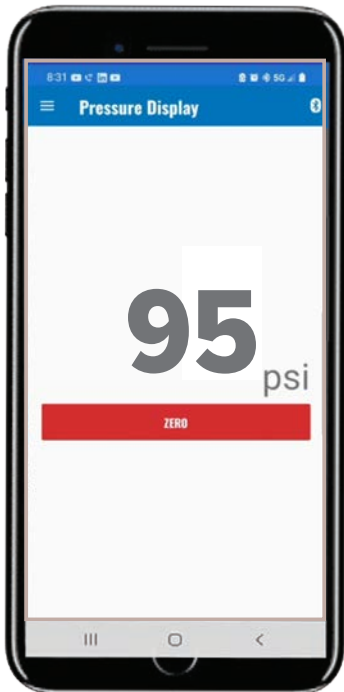
- J25G300BS**
- 2.5" (65 mm)
  - +/-20° Pivoting Outlet



- F15G300BF**
- 1.5" (38 mm)
  - Rigid



- EPG300**
- 1/4" NPTM



**The SHO-GAUGE App**

You can download the SHO-GAUGE app on any smart device capable of downloading apps from the App Store or Google Play.

**LINE PRESSURE GAUGES**

**1.5" and 2.5" (38 mm and 65 mm)**

Featuring 0-200 psi (0-14 bar) for 2.5" and standpipe applications or 0-300 psi (0-21 bar) gauge designed for use on standpipes, truck outlets, on the ground, or where having a pressure reading is advantageous. System includes a protective ring and replaceable lens cover for the pressure gauge. Swivel inlet coupling and male outlet thread is standard.

The 1.5" (38 mm) and 2.5" (65 mm) in-line pressure gauges feature heavy-duty gauge protection and a replaceable lens.

- Large, easy-to-read, analog gauge displayed in both psi and bar.
- Lightweight and compact
- Reads pressure up to 300 PSI (20 bar)



**F15G300F**

- Gauge has protective ring and lens cover to resist damage
- Rigid inlet coupling



**J25G200S**

**J25G300S**

- Gauge has protective ring and lens cover to resist damage
- Swivel inlet coupling
- +/- 20° pivoting outlet



**J25G200F**

**J25G300F**

- Gauge has protective ring and lens cover to resist damage
- Swivel inlet coupling

**LINE PRESSURE GAUGES**

**1.5" and 2.5" (38 mm and 65 mm)**

<b>MODEL</b>	<b>THREADS INLET AND OUTLET</b>	<b>IN-LINE PITOT TYPE GAUGE</b>	<b>LENGTH</b>	<b>WEIGHT</b>
EPG300	1/4" NPT (6 mm) Male Inlet	Bluetooth using SHO-GAUGE App 0-300 psi (0-21 bar)	Diameter 2.05" (5.2 cm) Height 2.19" (5.6 cm)	0.34 lb (0.15 kg)
J25G300BS	2.5" NH (65 mm) Female x 2.5" NH (65 mm) Male Pivot	Bluetooth using SHO-GAUGE App 0-300 psi (0-21 bar)	8.00" (20.3 cm)	4.5 lb (2 kg)
J25G300BF	2.5" NH (65 mm) Female x 2.5" NH (65 mm) Male	Bluetooth using SHO-GAUGE App 0-300 psi (0-21 bar)	6.40" (16.3 cm)	3.7 lb (1.7 kg)
F15G300BF	1.5" NH (38 mm) Female x 1.5" NH (38 mm) Male	Bluetooth using SHO-GAUGE App 0-300 psi (0-21 bar)	4.1" (10.1 cm)	1.4 lb (0.7 kg)
F15G300F	2.5" NH (65 mm) Female x 2.5" NH (65 mm) Male	Liquid-filled 0-300 psi (0-21 bar) gauge	6.40" (16.3 cm)	3.7 lb (1.7 kg)
J25G200F	2.5" NH (65 mm) Female x 2.5" NH (65 mm) Male	Liquid-filled 0-200 psi (0-14 bar) gauge	6.40" (16.3 cm)	3.7 lb (1.7 kg)
J25G300F	2.5" NH (65 mm) Female x 2.5" NH (65 mm) Male	Liquid-filled 0-300 psi (0-21 bar) gauge	6.40" (16.3 cm)	3.7 lb (1.7 kg)
J25G200S	2.5" NH (65 mm) Female x 2.5" NH (65 mm) Male Pivot	Liquid-filled 0-200 psi (0-14 bar) gauge	8.00" (20.3 cm)	4.4 lb (2.0 kg)
J25G300S	2.5" NH (65 mm) Female x 2.5" NH (65 mm) Male Pivot	Liquid-filled 0-300 psi (0-21 bar) gauge	8.00" (20.3 cm)	4.4 lb (2.0 kg)



# HANDHELD NOZZLES

Regardless of your flow, operating pressure, or control preference, TFT has a nozzle for your departments' hoselines. Firefighters around the globe trust their TFT nozzle in fixed, selectable, and automatic styles to work for decades. Models include nozzles in various operating pressures, flows and sizes for wildland, municipal, and industrial applications including options for optimal foam performance and specialty applications.



**BALL VALVE SERIES**

**1.0" (25 mm) and 1.5" (38 mm)**

Task Force Tips Ball Valves are lightweight, rugged valves that are designed for reliability. The valves give tip only nozzles a positive shut-off, or can be used for break-and-extend operations

- Available in 1" (25 mm) and 1.5" (38 mm)
- Waterways sized for optimal flow

- Optional NFPA colored handles and pistol grips, including a folding pistol grip
- All lightweight materials, hardcoat anodized aluminum
- Stainless steel shut-off ball
- Quick change rear valve seat



- D75D**
- 1" (25 mm) inlet and outlet
  - 3/4" (19 mm) waterway
  - Rocker lug swivel inlet
- D75DP**
- Same as above with Pistol Grip



- F100F**
- 1.5" (38 mm) inlet and outlet
  - 1" (25 mm) waterway
  - Rocker lug swivel inlet
- F100FP**
- Same as above with Pistol Grip

MODEL	THREADS		INLET COUPLING	PISTOL GRIP	WATERWAY SIZE	LENGTH	WEIGHT
	INLET FEMALE	OUTLET MALE					
D75D	1.0" NH (25 mm)	1.0" NH (25 mm)	Rocker Lug Swivel	No	3/4" (19 mm)	3.75" (9.5 cm)	1.0 lb (0.5 kg)
D75DP	1.0" NH (25 mm)	1.0" NH (25 mm)	Rocker Lug Swivel	Yes	3/4" (19 mm)	3.75" (9.5 cm)	1.3 lb (0.6 kg)
F100F	1.5" NH (38 mm)	1.5" NH (38 mm)	Rocker Lug Swivel	No	1.0" (25 mm)	3.75" (9.5 cm)	1.5 lb (0.7 kg)
F100FP	1.5" NH (38 mm)	1.5" NH (38 mm)	Rocker Lug Swivel	Yes	1.0" (25 mm)	3.75" (9.5 cm)	1.7 lb (0.8 kg)

Color Bail Covers and Pistol Grips are available in NFPA colors. Folding Pistol Grip Kits with NFPA color inserts are available.

**1.0" (25 mm) & 1.5" (38 mm) BALL VALVE SERIES FOLDING PISTOL GRIP**

The full description of folding pistol grips can be found in the Folding Pistol Grip section.

MODEL	WHEN ORDERED WITH A NEW NOZZLE	LENGTH	WEIGHT
HM792-DKIT	D75DP- SERIES	8.50" (21.6 cm)	1.7 lb (0.8 kg)
HM792-FKIT	F100FP- SERIES	8.50" (21.6 cm)	1.7 lb (0.8 kg)

**BALL VALVE SERIES**

**1.5" (38 mm)**

The Ball Valves are lightweight, rugged valves that are designed for reliability. The valves give tip only nozzles a positive shut-off, or can be used for break-and-extend operations.

- 1.5" (38 mm) inlet and outlet
- Rocker lug swivel inlet
- Waterways sized for optimal flow
- All lightweight materials, hardcoat anodized aluminum



**F140F**

- 1.375" (35 mm) waterway
- Quick change rear valve seat
- Stainless steel shut-off ball

**F140FP**

- Same as above with Pistol Grip



**H-VO**

- 1.375" (35 mm) waterway
- Six detent flow positions
- Polymer shut-off ball
- Accepts F140SBI smoothbore inserts found in the Handheld Nozzles section

**H-VOI**

- Same as above with Pistol Grip

MODEL	THREADS		INLET COUPLING	PISTOL GRIP	WATERWAY SIZE	LENGTH	WEIGHT
	INLET FEMALE	OUTLET MALE					
F140F	1.5" NH (38 mm)	1.5" NH (38 mm)	Rocker Lug Swivel	No	1.375" (35 mm)	4.00" (10.2 cm)	2.2 lb (1.0 kg)
F140FP	1.5" NH (38 mm)	1.5" NH (38 mm)	Rocker Lug Swivel	Yes	1.375" (35 mm)	4.00" (10.2 cm)	2.4 lb (1.1 kg)
<b>H-VO &amp; H-VOI includes six detent flow positions and accepts F140SBI smoothbore insert kits found on page XX.</b>							
H-VO	1.5" NH (38 mm)	1.5" NH (38 mm)	Rocker Lug Swivel	No	1.375" (35 mm)	5.25" (13.3 cm)	2.6 lb (1.2 kg)
H-VOI	1.5" NH (38 mm)	1.5" NH (38 mm)	Rocker Lug Swivel	Yes	1.375" (35 mm)	5.25" (13.3 cm)	2.8 lb (1.3 kg)

Color Bail Covers and Pistol Grips are available in NFPA colors. Folding Pistol Grip Kits with NFPA color inserts are available.

For more information refer to the Handline Nozzle section of the catalog.

**1.5" (38 mm) BALL VALVE SERIES FOLDING PISTOL GRIP**

The full description of folding pistol grips can be found in the Folding Pistol Grip section.

MODEL	WHEN ORDERED WITH A NEW NOZZLE	LENGTH	WEIGHT
HM792-JKIT	F140FP - SERIES	8.50" (21.6 cm)	1.7 lb (0.8 kg)
HM792-HKIT	H-VOI - SERIES	8.50" (21.6 cm)	1.7 lb (0.8 kg)

**BALL VALVE SERIES**

**2.5" (65 mm)**

The Ball Valves are lightweight, rugged valves that are designed for reliability. The valves give tip only nozzles a positive shut-off, or can be used for break-and-extend operations.

- Available in 2.5" (65 mm) x 1.5" (38 mm) and 2.5" (65 mm) x 2.5" (65 mm) versions
- 1.375" (35 mm) waterway
- Optional NFPA colored handles and pistol grips, including a folding pistol grip
- All lightweight materials, hardcoat anodized aluminum
- Quick change rear valve seat
- Stainless steel shut-off ball



**J140F**

- 2.5" (65 mm) inlet x 1.5" (38 mm) outlet
- 1.375" (35 mm) waterway
- Rocker lug swivel inlet
- Quick change rear valve seat
- Stainless steel shut-off ball

**J140FP**

- Same as above with Pistol Grip



**J140J**

- 2.5" (65 mm) inlet and outlet
- 1.375" (35 mm) waterway
- Rocker lug swivel inlet
- Quick change rear valve seat
- Stainless steel shut-off ball

**J140JP**

- Same as above with Pistol Grip

MODEL	THREADS		INLET COUPLING	PISTOL GRIP	WATERWAY SIZE	LENGTH	WEIGHT
	INLET FEMALE	OUTLET MALE					
J140F	2.5" NH (65 mm)	1.5" NH (38 mm)	Rocker Lug Swivel	No	1.375" (35 mm)	5.00" (12.7 cm)	2.7 lb (1.2 kg)
J140FP	2.5" NH (65 mm)	1.5" NH (38 mm)	Rocker Lug Swivel	Yes	1.375" (35 mm)	5.00" (12.7 cm)	2.9 lb (1.3 kg)
J140J	2.5" NH (65 mm)	2.5" NH (65 mm)	Rocker Lug Swivel	No	1.375" (35 mm)	7.18" (18.2 cm)	3.4 lb (1.5 kg)
J140JP	2.5" NH (65 mm)	2.5" NH (65 mm)	Rocker Lug Swivel	Yes	1.375" (35 mm)	7.18" (18.2 cm)	3.7 lb (1.7 kg)

Color Bail Covers and Pistol Grips are available in NFPA colors. Folding Pistol Grip Kits with NFPA color inserts are available.

For more information refer to the Handline Nozzle section of the catalog.

**2.5" (65 mm) BALL VALVE SERIES FOLDING PISTOL GRIP**

The full description of folding pistol grips can be found in the Folding Pistol Grip section.

MODEL	WHEN ORDERED WITH A NEW NOZZLE	LENGTH	WEIGHT
HM792-JKIT	J140FP and J140JP - SERIES	8.50" (21.6 cm)	1.7 lb (0.8 kg)

**BALL VALVE SERIES**

**2.5" (65 mm)**

The Ball Valves are lightweight, rugged valves that are designed for reliability. The valves give tip only nozzles a positive shut-off, can be used for break-and-extend operations, or where ever a high flow ball valve is desired.

- Available in 2.5" (65 mm) versions
- Waterways sized for optimal flow
- Optional NFPA colored pistol grips, including a folding pistol grip
- All lightweight materials, hardcoat anodized aluminum
- Six detent flow positions
- Polymer shut-off ball



**H-2VO**

- 2.5" (65 mm) inlet and 1.5" (38 mm) outlet
- 1.375" (35 mm) waterway
- Rocker lug swivel inlet
- Six detent flow positions
- Polymer shut-off ball
- Accepts F140SBI smoothbore inserts found in the Handheld Nozzles section

**H-2VOI**

- Same as above with Pistol Grip



**H-3VONJ-NJ**

- 2.5" (65 mm) inlet and outlet
- 2" (52 mm) waterway
- Rocker lug swivel inlet
- Six detent flow positions
- Polymer shut-off ball
- Use as a monitor nozzle shut-off

**H-3VOINJ-NJ**

- Same as above with Pistol Grip

**H-2VO and H-2VOI includes six detent flow positions and accepts F140SBI. Smoothbore insert kits found on page XX.**

MODEL	THREADS		INLET COUPLING	PISTOL GRIP	WATERWAY SIZE	LENGTH	WEIGHT
	INLET FEMALE	OUTLET MALE					
H-2VO	2.5" NH (65 mm)	1.5" NH (38 mm)	Rocker Lug Swivel	No	1.375" (35 mm)	5.25" (13.3 cm)	2.6 lb (1.2 kg)
H-2VOI	2.5" NH (65 mm)	1.5" NH (38 mm)	Rocker Lug Swivel	Yes	1.375" (35 mm)	5.25" (13.3 cm)	2.8 lb (1.3 kg)

**H-3VONJ-NJ and H-3VOINJ-NJ includes six detent flow positions.**

H-3VONJ-NJ	2.5" NH (65 mm)	2.5" NH (65 mm)	Rocker Lug Swivel	No	2.0" (52 mm)	7.18" (18.2 cm)	5.7 lb (2.6 kg)
H-3VOINJ-NJ	2.5" NH (65 mm)	2.5" NH (65 mm)	Rocker Lug Swivel	Yes	2.0" (52 mm)	7.18" (18.2 cm)	5.9 lb (2.7 kg)

Color Bail Covers and Pistol Grips are available in NFPA colors. Folding Pistol Grip Kits with NFPA color inserts are available. For more information refer to the Handline Nozzle section of the catalog. Color Bail Covers not available on H-3VO Series Ball Valves.

**2.5" (65 mm) BALL VALVE SERIES FOLDING PISTOL GRIP**

The full description of folding pistol grips can be found in the Folding Pistol Grip section.

MODEL	WHEN ORDERED WITH A NEW NOZZLE	LENGTH	WEIGHT
HM792-HKIT	H-2VOI and H-3VOINJ-NJ - SERIES	8.50" (21.6 cm)	1.7 lb (0.8 kg)



**SMOOTHBORE TIPS**

**1.0" (25 mm) and 1.5" (38 mm)**



**DSB**

- Six smoothbore set black nylon
- Coupling hardcoat anodized aluminum with gasket
- Easily changeable tips



**DSS5-ND**



**FSS Series**

MODEL	INLET FEMALE	ORIFICE	LENGTH	WEIGHT
DSB	1.0" NH (25 mm)	1/8", 3/16", 1/4", 5/16", 3/8", & 7/16" (3, 5, 6, 8, 10 & 11 mm)	3.37" (8.6 cm)	0.4 lb (0.2 kg)
DSS5-ND	1.0" NH (25 mm)	1/2" (13 mm)	2.80" (7.1 cm)	0.2 lb (0.1 kg)
FSS5	1.5" NH (38 mm)	1/2" (13 mm)	4.00" (10.2 cm)	0.4 lb (0.2 kg)
FSS6	1.5" NH (38 mm)	5/8" (16 mm)	4.00" (10.2 cm)	0.6 lb (0.3 kg)
FSS7	1.5" NH (38 mm)	3/4" (19 mm)	5.00" (12.7 cm)	0.6 lb (0.3 kg)
FSS8	1.5" NH (38 mm)	7/8" (22 mm)	5.00" (12.7 cm)	0.6 lb (0.3 kg)
FSS12	1.5" NH (38 mm)	15/16" (24 mm)	5.00" (12.7 cm)	0.5 lb (0.2 kg)
FSS9	1.5" NH (38 mm)	1" (25 mm)	5.00" (12.7 cm)	0.6 lb (0.3 kg)
FSS3	1.5" NH (38 mm)	1-1/16" (27 mm)	5.00" (12.7 cm)	0.7 lb (0.3 kg)
FSS10	1.5" NH (38 mm)	1-1/8" (29 mm)	5.00" (12.7 cm)	0.6 lb (0.3 kg)
FSS4	1.5" NH (38 mm)	1-3/16" (30 mm)	5.00" (12.7 cm)	0.6 lb (0.3 kg)
FSS11	1.5" NH (38 mm)	1-1/4" (32 mm)	5.00" (12.7 cm)	0.6 lb (0.3 kg)
FSS15075	1.5" NH (38 mm)	150 Gpm @ 75 PSI	5.00" (12.7 cm)	0.6 lb (0.3 kg)

All smoothbore tips are made of lightweight materials and are hardcoat anodized aluminum. Flow charts in US and Metric units are laser engraved on most units.

**SMOOTHBORE TIPS**

**1.5" (38 mm)**

All smoothbore tips are made of lightweight materials and are hardcoat anodized aluminum. Flow charts in US and Metric units are laser engraved on most units.



**FF151 through FF157**

- With smooth inside taper
- 1.5" (38 mm) inlet thread is standard
- Only fits Vortex and Flip Tip



**FSNYSTACK**



**FS-3STACK**



**FS-22STACK**



**FS-2STACK**

MODEL	INLET FEMALE	ORIFICE	LENGTH	WEIGHT
FF151	1.5" NH (38 mm)	1/2" (13 mm)	3.00" (7.6 cm)	0.22 lb (0.10 kg)
FF152	1.5" NH (38 mm)	5/8" (16 mm)	3.00" (7.6 cm)	0.22 lb (0.10 kg)
FF157	1.5" NH (38 mm)	7/8" (22 mm)	3.00" (7.6 cm)	0.22 lb (0.10 kg)
FF153	1.5" NH (38 mm)	15/16" (24 mm)	2.75" (7.0 cm)	0.20 lb (0.09 kg)
FF154	1.5" NH (38 mm)	1" (25 mm)	2.50" (6.4 cm)	0.17 lb (0.08 kg)
FF155	1.5" NH (38 mm)	1-1/8" (29 mm)	2.50" (6.4 cm)	0.14 lb (0.06 kg)
FF156	1.5" NH (38 mm)	1-3/16" (30 mm)	2.50" (6.4 cm)	0.13 lb (0.06 kg)
FSNYSTACK	1.5" NH (38 mm)	15/16" and 1/2" (24 mm and 13 mm)	6.62" (16.9 cm)	0.8 lb (0.4 kg)
FS-2STACK	1.5" NH (38 mm)	1-1/8" - 1" (29 mm - 25 mm)	5.2" (13.2 cm)	0.8 lb (0.4 kg)
FS-22STACK	1.5" NH (38 mm)	1-1/4" - 1-1/8" (32 mm - 29 mm)	5.2" (13.2 cm)	0.8 lb (0.4 kg)
FS-3STACK	1.5" NH (38 mm)	1-1/4, 1-1/8", 1" (32 mm, 29 mm and 25 mm)	8.50" (21.6 cm)	1.3 lb (0.6 kg)

**FOLDING PISTOL GRIPS**

This space-saving, folding pistol grip will take up less space and allow the TFT nozzle to fit into tight crosslays and hose beds. It deploys quickly and easily, locking in place automatically. When ready to stow, simply press the lock release button and fold it back. Pistol grip is machined from aluminum alloy and hardcoat anodized for durability and corrosion resistance.



**HM792-KIT**

MODEL	FOLDING PISTOL GRIP KIT	LENGTH	WEIGHT
HM792-KIT	Order this kit for an in-service nozzle.	8.50" (21.6 cm)	1.7 lb (0.8 kg)

NFPA color inserts are available.



**EXTENDED**

**FOLDED**

**PLAYPIPES**

- All lightweight materials
- Hardcoat anodized aluminum
- Rubber-coated, easy-grip handles designed to reduce fatigue
- Six detent flow positions
- Polymer Ball-type shut-off
- Commonly used with FS-3STACK smoothbore stacked tips set for compliance with NFPA 1900 equipment requirements



**H-2VPP**

MODEL	Shut-off	THREADS		INLET COUPLING	LENGTH	WEIGHT
		INLET FEMALE	OUTLET MALE			
H-2VPP	Yes	2.5" NH (65 mm)	1.5" NH (38 mm)	Rocker Lug Swivel	9.37" (23.8 cm)	6.1 lb (2.8 kg)

**SMOOTHBORE INSERTS**

- All lightweight materials
  - Changeover from one size to another requires no tools
  - Inserts in valve ball
- FITS**
- H-VO
  - H-VOI
  - H-2VO
  - H-2VOI

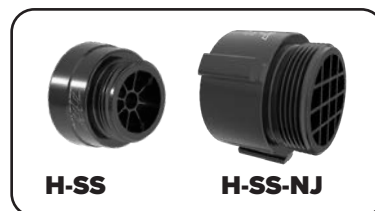


**F140SBI**

MODEL	SMOOTHBORE INSERTS	LENGTH	WEIGHT
F140SBI	7/8", 15/16", 1", 1-1/8" (22 mm, 24 mm, 25 mm and 29 mm)	1.56" (4.0 cm)	0.2 lb (0.1 kg)

**STREAM STRAIGHTENERS**

- Straightens streams to provide greater reach with less turbulence.
- Hardcoat anodized aluminum and lightweight materials.



**H-SS**

**H-SS-NJ**

MODEL	TYPE	THREADS		INLET COUPLING	LENGTH	WEIGHT
		INLET FEMALE	OUTLET MALE			
H-SS	Stream Straightener	1.5" NH (38 mm)	1.5" NH (38 mm)	Knurled Rigid	1.87" (4.7 cm)	0.4 lb (0.2 kg)
H-SS-NJ	Stream Straightener	2.5" NH (65 mm)	2.5" NH (65 mm)	Rocker Lug Rigid	3.05" (7.7 cm)	1.1 lb (0.5 kg)

**VORTEX® SERIES**

**VORTEX® NOZZLES 1.5"**

**(38 mm) and 2.5" (65 mm)**

The Vortex enhances the stream from a smoothbore nozzle. Six short vanes in the bore of the Vortex reduce turbulence in straight stream. Twisting the stream shaper from Stream to Vortex causes the vanes to pivot proportionally. This induces a gentle spin on the water to create a uniformly dispersed vortex stream pattern without reducing flow. Pivoting vanes have virtually no effect on the flow area and flow rate remains constant regardless of stream pattern.

**SVFT**

- 1.5" (38 mm) inlet and outlet
- Knurled rigid inlet
- No shut-off valve. Must be used with a ball valve or VIT with a shut-off valve



**SVFV**

- 1.5" (38 mm) inlet and outlet
- Rocker lug swivel inlet
- Six detent flow positions
- 1.375" (35 mm) waterway

**SVFG**

Same as above with pistol grip

**SVFV-NJ**

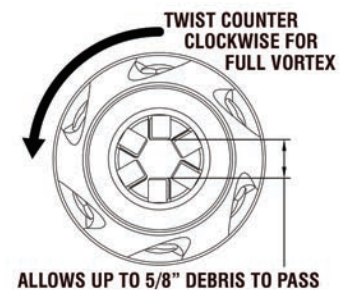
- 2.5" (65 mm) inlet and 1.5" (38 mm) outlet
- Rocker lug swivel inlet
- Six detent flow position
- 1.375" (35 mm) waterway

**SVFG-NJ**

Same as above with pistol grip



MODEL	THREADS		COUPLING	PISTOL GRIP	WATERWAY SIZE	LENGTH	WEIGHT
	INLET FEMALE	OUTLET MALE					
SVFT	1.5" NH (38 mm)	1.5" NH (38 mm)	Knurled Rigid	Tip Only	1.375" (35 mm)	4.55" (11.6 cm)	1.9 lb (0.9 kg)
SVFV	1.5" NH (38 mm)	1.5" NH (38 mm)	Rocker Lug Swivel	No	1.375" (35 mm)	8.42" (21.4 cm)	3.8 lb (1.7 kg)
SVFG	1.5" NH (38 mm)	1.5" NH (38 mm)	Rocker Lug Swivel	Yes	1.375" (35 mm)	8.42" (21.4 cm)	4.1 lb (1.9 kg)
SVFV-NJ	2.5" NH (65 mm)	1.5" NH (38 mm)	Rocker Lug Swivel	No	1.375" (35 mm)	8.57" (21.8 cm)	4.2 lb (1.9 kg)
SVFG-NJ	2.5" NH (65 mm)	1.5" NH (38 mm)	Rocker Lug Swivel	Yes	1.375" (35 mm)	8.57" (21.8 cm)	4.5 lb (2.0 kg)



**TWO STREAM PATTERNS**

With a simple twist of the index ring, the VORTEX moves from a hard hitting straight stream to a uniformly dispersed pattern for protection, hydraulic ventilation or salvage/overhaul.

**ANY SMOOTHBORE**

The VORTEX can be paired with any smoothbore up to 1-1/4" (32 mm) to use on a 1.5" (38 mm) up to a 2.5" (65 mm) hose line. Once the tip is installed onto the VORTEX, you're ready to operate the nozzle.

**NO FLOW REDUCTION**

Create a dispersed pattern without gating your valve and reducing your fire flow. In addition, VORTEX vanes are less obtrusive than a typical stream straightener, resulting in virtually no friction loss.

**1.5" (38 mm) AND 2.5" (65 mm) VORTEX NOZZLE SERIES FOLDING PISTOL GRIP**

The full description of folding pistol grips can be found in the Folding Pistol Grip section.

MODEL	WHEN ORDERED WITH A NEW NOZZLE	LENGTH	WEIGHT
HM792-HKIT	VORTEX - SERIES	8.50" (21.6 cm)	1.7 lb (0.8 kg)

**VIT™ BALL VALVE SERIES**

**VALVE INTEGRAL TIP 1.5" (38 mm)**

The Valve Integral Tip (VIT) Series are a rugged valve with built-in smoothbore tip combination. The outlet thread protector can be quickly retracted with a simple turn to expose the 1.5" (38 mm) outlet thread for tip only nozzle attachment or break-and-extend operations. Available with 1.5" (38 mm) or 2.5" (65 mm) full-time swivel inlet couplings.

- All lightweight materials
- Hardcoat anodized aluminum
- For use alone or with tip-only nozzles
- For break-and-extend operations
- Thread protector rotates back to reveal 1.5" (38 mm) attachment threads
- Six detent flow positions
- Integral stream straightener is removable

MODEL	MODEL PISTOL GRIP	INTEGRAL SMOOTHBORE TIP ORIFICE SIZE	THREAD SIZE INLET REMOVABLE STREAM STRAIGHTENER	THREAD SIZE OUTLET RIGID W/THREAD PROTECTOR
HVIT11	HVITG11	7/8" (22 mm)	1.5" NH (38 mm)	1.5" NH (38 mm)
HVIT12	HVITG12	15/16" (24 mm)	1.5" NH (38 mm)	1.5" NH (38 mm)
HVIT13	HVITG13	1" (25 mm)	1.5" NH (38 mm)	1.5" NH (38 mm)
HVIT14	HVITG14	1-1/8" (29 mm)	1.5" NH (38 mm)	1.5" NH (38 mm)
HVIT15		1-1/4" (32 mm)	1.5" NH (38 mm)	1.5" NH (38 mm)
	HVITG16	1-3/8" (35 mm)	1.5" NH (38 mm)	1.5" NH (38 mm)
HVIT18		1-1/16" (27mm)	1.5" NH (38 mm)	1.5" NH (38 mm)



**HVIT11 through HVIT18**

- 1.5" (38 mm) Rocker lug full time swivel inlet
- Length: 9.26" (23.5 cm)
- Weight: 3.8 lb (1.7 kg)

**HVITG11 through HVITG18**

- Pistol Grip
- 1.5" (38 mm) Rocker lug full time swivel inlet
- Length: 9.26" (23.5 cm)
- Weight: 4.1 lb (1.9 kg)

**VIT™ BALL VALVE SERIES**

**VALVE INTEGRAL TIP 2.5" (65 mm)**

MODEL	MODEL PISTOL GRIP	INTEGRAL SMOOTHBORE TIP ORIFICE SIZE	THREAD SIZE INLET REMOVABLE STREAM STRAIGHTENER	THREAD SIZE OUTLET RIGID W/THREAD PROTECTOR
HVIT24	HVITG24	1-1/8" (29 mm)	2.5" NH (65 mm)	1.5" NH (38 mm)
HVIT25	HVITG25	1-1/4" (32 mm)	2.5" NH (65 mm)	1.5" NH (38 mm)
	HVITG26	1-3/8" (35 mm)	2.5" NH (65 mm)	1.5" NH (38 mm)
HVIT27		1-3/16" (30 mm)	2.5" NH (65 mm)	1.5" NH (38 mm)



**HVIT24 through HVIT27**

- 2.5" (65 mm) Rocker lug full time swivel inlet
- Length: 9.26" (23.5 cm)
- Weight: 4.2 lb (1.9 kg)

**HVITG24 through HVITG26**

- Pistol Grip
- 2.5" (65 mm) Rocker lug full time swivel inlet
- Length: 9.41" (23.9 cm)
- Weight: 4.5 lb (2.0 kg)

**VIT BALL VALVE SERIES FOLDING PISTOL GRIP**

The full description of folding pistol grips can be found in the Folding Pistol Grip section.

MODEL	WHEN ORDERED WITH A NEW NOZZLE	LENGTH	WEIGHT
HM792-HKIT	H VIT - SERIES	8.50" (21.6 cm)	1.7 lb (0.8 kg)

**FIXED GALLONAGE**

**METRO™1 NOZZLE SERIES 1.5" (38 mm)**

**NFPA  
COMPLIANT**

The Metro 1 fixed gallonage nozzle provides the ultimate in flow rate flexibility. You can select the flow rate and pressure you need today and if that ever changes, a simple disc swap gives you a new setting. It's available with tip only or bail handle and valve with 1.5" (38 mm) couplings.

- Delivered with specified flow disc installed
- All lightweight materials
- Hardcoat anodized aluminum
- Flush without shutting down
- Molded rubber bumper "Power Fog" teeth or stainless steel spinning teeth
- Tip only does not shut-off and must be used with a separate valve
- "Gasket Grabber" inlet screen (ME1V series)
- Optional colored pistol grip and handle covers
- Accepts FJ-HM, FJ-LX-HM low expansion or FJ-MX-HM multi-expansion foam attachments



**ME1TO-\*\*\***

**ME1TOS-\*\*\***

- No shut-off valve. Must be used with a ball valve or VIT with a shut-off valve



**ME1V-\*\*\***

**ME1VS-\*\*\***

- 1.5" (38 mm) Rocker lug full time swivel inlet
- Six detent flow positions

**ME1VPGI-\*\*\***

**ME1VPGIS-\*\*\***

- Same as above with pistol grip

*Flow calibration is specified at order entry per the model number. The specified flow calibration disc will be installed at the factory; the nozzle will NOT be sent with extra flow calibration discs. To change flow calibration, a flow disc kit is required. Each kit includes a set of flow washers, retaining rings, instructions and the service tool. See the Repair Kits Section for kit ordering information.*

**FIXED GALLONAGE**

**METRO™ 1 NOZZLE SERIES 1.5" (38 mm)**

**NFPA  
COMPLIANT**

MODEL	STYLE	FOG TEETH	GPM/PSI	LPM/BAR	K FACTOR
ME1TO-125	Tip Only	Rubber	125/100	473/7	12.5
ME1TO-173	Tip Only	Rubber	150/75	568/5	17.3
ME1TO-202	Tip Only	Rubber	175/75	662/5	20.2
ME1TO-212	Tip Only	Rubber	150/50	568/3	21.2
ME1TO-226	Tip Only	Rubber	160/50	606/3	22.6
ME1TO-231	Tip Only	Rubber	200/75	757/5	23.1
ME1TO-262	Tip Only	Rubber	185/50	700/3	26.2
ME1TOS-202	Tip Only	Spinning	175/75	662/5	20.2
ME1TOS-231	Tip Only	Spinning	200/75	757/5	23.1
ME1V-150	Nozzle	Rubber	150/100	568/7	15.0
ME1V-173	Nozzle	Rubber	150/75	568/5	17.3
ME1V-212	Nozzle	Rubber	150/50	568/3	21.2
ME1V-226	Nozzle	Rubber	160/50	606/3	22.6
ME1VPGI-095	Nozzle w/PG	Rubber	95/100	360/7	9.5
ME1VPGI-150	Nozzle w/PG	Rubber	150/100	568/7	15.0
ME1VPGI-173	Nozzle w/PG	Rubber	150/75	568/5	17.3
ME1VPGI-202	Nozzle w/PG	Rubber	175/75	662/5	20.2
ME1VPGI-212	Nozzle w/PG	Rubber	150/50	568/3	21.2
ME1VPGI-226	Nozzle w/PG	Rubber	160/50	606/3	22.6
ME1VPGI-231	Nozzle w/PG	Rubber	200/75	757/5	23.1
ME1VPGIS-095	Nozzle w/PG	Spinning	95/100	360/7	9.5
ME1VPGIS-125	Nozzle w/PG	Spinning	125/100	473/7	12.5
ME1VPGIS-202	Nozzle w/PG	Spinning	175/75	662/5	20.2
ME1VPGIS-212	Nozzle w/PG	Spinning	150/50	568/3	21.2
ME1VPGIS-231	Nozzle w/PG	Spinning	200/75	757/5	23.1



**METRO 1 FOAM ATTACHMENTS**

The full line of foam attachments can be found in the Foam Equipment section.

MODEL	FITS NOZZLE	FRONT END	DIAMETER	LENGTH	WEIGHT
FJ-HM	Metro 1	Flexible Rubber	5.2" (13.2 cm)	8.50" (21.6 cm)	2.6 lb (1.2 kg)
FJ-LX-HM	Metro 1	Polyethylene	5.8" (14.6 cm)	20.20" (51.3 cm)	3.0 lb (1.4 kg)
FJ-MX-HM	Metro 1	Polypropylene	7.4" (18.8 cm)	15.40" (39.1 cm)	3.2 lb (1.5 kg)

**METRO 1 FOLDING PISTOL GRIP**

The full description of folding pistol grips can be found in the Folding Pistol Grip section.

MODEL	WHEN ORDERED WITH A NEW NOZZLE	LENGTH	WEIGHT
HM792-HMKIT	METRO 1 - SERIES	8.50" (21.6 cm)	1.7 lb (0.8 kg)

**FIXED GALLONAGE**

**METRO™ 2 NOZZLE SERIES 1.5" (38 mm)**

The Metro™ 2 is Task Force Tips' high flow rate fixed (single) gallonage nozzle series for use on hose lines with 1.5" (38 mm) and 2.5" (65 mm) couplings. Available as tip only, or with bail type shut-off handle.

- All lightweight materials
- Hardcoat anodized aluminum
- Flush without shutting down
- Accepts FJ-H low expansion or FJ-HMX multi-expansion foam attachments



**ME2TO-\*\*\***

- 1.5" (38 mm) Rocker rigid inlet
- No shut-off valve. Must be used with a ball valve or VIT with a shut-off valve



**ME2V-\*\*\***

- 1.5" (38 mm) Rocker lug full time swivel inlet
- Polymer shutoff ball
- Six detent flow positions

**ME2VPGI-\*\*\***

- Same as above with pistol grip

**FIXED GALLONAGE**

**METRO™ 2 NOZZLE SERIES 2.5" (65 mm)**



**ME22TO-\*\*\***

- 2.5" (65 mm) Rocker lug rigid inlet
- No shut-off valve. Must be used with a ball valve or VIT with a shut-off valve



**ME22V-\*\*\***

- 2.5" (65 mm) Rocker lug full time swivel inlet
- Polymer shutoff ball
- Six detent flow positions

**ME22VPGI-\*\*\***

- Same as above with pistol grip



**FIXED GALLONAGE**

**METRO™ 2 NOZZLE SERIES 1.5" (38 mm) and 2.5" (65 mm)**

**NFPA  
COMPLIANT**

MODEL	STYLE	THREAD INLET SIZE	GPM/PSI	LPM/BAR	K FACTOR
ME2TO-289	Tip Only	1.5" (38 mm)	250/75	946/5	28.9
ME2TO-354	Tip Only	1.5" (38 mm)	250/50	946/3	35.4
ME22TO-354	Tip Only	2.5" (65 mm)	250/50	946/3	35.4
ME22V-250	Nozzle	2.5" (65 mm)	250/100	946/7	25
ME22V-289	Nozzle	2.5" (65 mm)	250/75	946/5	28.9
ME22V-354	Nozzle	2.5" (65 mm)	250/50	946/3	35.4
ME22VPGI-250	Nozzle w/PG	2.5" (65 mm)	250/100	946/7	25
ME22VPGI-289	Nozzle w/PG	2.5" (65 mm)	250/75	946/5	28.9
ME22VPGI-325	Nozzle w/PG	2.5" (65 mm)	325/100	1230/7	32.5
ME22VPGI-354	Nozzle w/PG	2.5" (65 mm)	250/50	946/3	35.4



**METRO 2 FOAM ATTACHMENTS**

The full line of foam attachments can be found in the Foam Equipment section.

MODEL	FITS NOZZLE	FRONT END	DIAMETER	LENGTH	WEIGHT
FJ-H	Metro 2	Flexible Rubber	5.2" (13.2 cm)	8.50" (21.6 cm)	2.6 lb (1.2 kg)
FJ-HMX	Metro 2	Polyethylene	8.6" (21.8 cm)	15.62" (39.7 cm)	3.1 lb (1.4 kg)

**METRO 2 FOLDING PISTOL GRIP**

The full description of folding pistol grips can be found in the Folding Pistol Grip section.

MODEL	WHEN ORDERED WITH A NEW NOZZLE	LENGTH	WEIGHT
HM792-HKIT	METRO 2 - SERIES	8.50" (21.6 cm)	1.7 lb (0.8 kg)

**FIXED GALLONAGE with PRESSURE RELIEF  
WORKING FIRE™ NOZZLE SERIES 1.5" (38 mm)**



**FIXED FLOW NOZZLES  
WITH PRESSURE RELIEF**

**Now Available  
in 2 Flows and  
Pressures**

**150 gpm @ 75 psi  
160 gpm @ 50 psi**

**33% increase in flow = 33% increase in reaction force**

**33% increase in flow = 78% increase in reaction force**

**TFT WORKING FIRE\***

- 150 gpm = 65 lbs. Reaction Force
- 160 gpm = 69 lbs. Reaction Force
- 185 gpm = 80 lbs. Reaction Force
- 200 gpm = 87 lbs. Reaction Force

**COMPETITOR'S FIXED NOZZLE\***

- 150 gpm = 65 lbs. Reaction Force
- 160 gpm = 74 lbs. Reaction Force
- 185 gpm = 99 lbs. Reaction Force
- 200 gpm = 116 lbs. Reaction Force

Pressure relief offers **significantly reduced nozzle reaction force** at high flows.

\*150 gpm @ 75 psi

Design causes **significantly higher nozzle reaction force** at high flows.

\*150 gpm @ 75 psi

**Hydraulically Match Your Working Fire Nozzle with a Smoothbore**

**FSS15075**

Pairs with  
150 gpm @ 75  
psi Working Fire  
Nozzle



MODEL	INLET	OUTLET	FLOW	LENGTH	WEIGHT
FSS15075	1.5" NH (38 mm)	.764" (19.4 mm)	150 gpm @ 75 psi	5.0" (12.7 cm)	0.6 lb (0.3 kg)

**FSS8**

Pairs with  
160 gpm @ 50  
psi Working Fire  
Nozzle



MODEL	INLET	OUTLET	FLOW	LENGTH	WEIGHT
FSS8	1.5" NH (38 mm)	7/8" (22 mm)	144 gpm @ 40psi 161 gpm @ 50psi 176 gpm @ 60psi	5.0" (12.7 cm)	0.6 lb (0.3 kg)

**FIXED GALLONAGE with PRESSURE RELIEF  
WORKING FIRE™ NOZZLE SERIES 1.5" (38 mm)**

The Working Fire nozzle delivers revolutionary performance to the fixed Gpm nozzle category. The Working Fire is a 150 gpm @ 75 psi (568 l/min @ 5 bar) or 160 gpm @ 50 psi (606 l/min @ 3.4 bar) fixed Gpm nozzle that includes TFT's exclusive pressure relief at high flows to limit nozzle reaction. At low flows, just like every other fixed Gpm nozzle, it's clear from the stream quality that optimum flow has not yet been reached. For example when you achieve the 150 gpm (568 l/min) flow rate, the nozzle flows great and there is about 65 lbs (29 kg) of nozzle reaction force.

But when you need a lot more Gpm, that's where the Working Fire excels. By integrating pressure relief, a 33% increase in flow rate only yields a 33% increase in reaction force. With the Working Fire nozzle, TFT is able to deliver high 200 gpm (757 l/min) with about 30 lbs (13.6 kg) less reaction force than competitive nozzles.



**150 gpm @ 75 psi**  
**WF1TF-173**  
**WF1TFS-173**

**160 gpm @ 55 psi**  
**WF1TF-226**  
**WF1TFS-226**

- 1.5" (38 mm) Rigid rocker lug inlet
- No shut-off valve. Must be used with a ball valve or VIT with a shut-off valve
- Accepts FJ-HM, FJ-LX-HM, FJ-MX-HM low and medium expansion foam attachments

**AVAILABLE COLORS: BLUE, RED, YELLOW**  
*Black is the standard color for the stream shaper, handle cover, and pistol grip (if so equipped). These items are also available in Blue, Red, and Yellow at time of order.*



**150 gpm @ 75 psi**  
**WF1VF-173**  
**WF1VFS-173**  
**160 gpm @ 50 psi**  
**WF1VF-226**  
**WF1VFS-226**

**150 gpm @ 75 psi with Pistol Grip**  
**WF1GF-173**  
**WF1GFS-173**  
**160 gpm @ 50 psi with Pistol Grip**  
**WF1GF-226**  
**WF1GFS-226**

- 1.5" (38 mm) Rocker lug full-time swivel inlet
- Stainless steel shut-off ball
- Accepts FJ-HM, FJ-LX-HM, FJ-MX-HM low and medium expansion foam attachments

150 gpm @ 75 psi	160 gpm @ 50 psi	INLET	BALL VALVE	PISTOL GRIP	FOG TEETH	LENGTH	WEIGHT
WF1TF-173	WF1TF-226	1.5" NH (38 mm)	No	No	Fixed Rubber	7.33" (18.6 cm)	2.2 lb (1.0 kg)
WF1TFS-173		1.5" NH (38 mm)	No	No	Stainless Steel Spinning	7.33" (18.6 cm)	2.2 lb (1.0 kg)
WF1VF-173	WF1VF-226	1.5" NH (38 mm)	Yes	No	Fixed Rubber	10.40" (26.4 cm)	4.4 lb (2.0 kg)
WF1VFS-173	WF1VFS-226	1.5" NH (38 mm)	Yes	No	Stainless Steel Spinning	10.40" (26.4 cm)	4.4 lb (2.0 kg)
WF1GF-173	WF1GF-226	1.5" NH (38 mm)	Yes	Yes	Fixed Rubber	10.40" (26.4 cm)	4.7 lb (2.1 kg)
WF1GFS-173		1.5" NH (38 mm)	Yes	Yes	Stainless Steel Spinning	10.40" (26.4 cm)	4.7 lb (2.1 kg)

**WORKING FIRE FOAM ATTACHMENTS**

*The full line of foam attachments can be found in the Foam Equipment section.*



MODEL	FITS NOZZLE	FRONT END	DIAMETER	LENGTH	WEIGHT
FJ-HM	Working Fire	Flexible Rubber	5.2" (13.2 cm)	8.50" (21.6 cm)	2.6 lb (1.2 kg)
FJ-LX-HM	Working Fire	Polyethylene	5.8" (14.6 cm)	20.20" (51.3 cm)	3.0 lb (1.4 kg)
FJ-MX-HM	Working Fire	Polypropylene	7.4" (18.8 cm)	15.40" (39.1 cm)	3.2 lb (1.5 kg)

**WORKING FIRE FOLDING PISTOL GRIP**

*The full description of folding pistol grips can be found in the Folding Pistol Grip section.*

MODEL	WHEN ORDERED WITH A NEW NOZZLE	LENGTH	WEIGHT
HM792-JKIT	WORKING FIRE SERIES	8.50" (21.6 cm)	1.7 lb (0.8 kg)

**DUAL GALLONAGE**

**TWISTER™ NOZZLE SERIES 3/4" (19 mm) and 1" (25 mm)**

The TWISTER series nozzles are selectable, dual gallonage, combination nozzles that are designed for simplicity and durability. The rubber bumper provides a positive grip and protects the front end. Twisting the shaper from the off position

produces the following settings: low flow straight stream, low flow narrow fog, high flow straight stream, and high flow fog. The rugged, economical nozzle also accepts the FJ-MX-D FoamJet multi-expansion foam aspirating attachment.

**C1024**  
**D1024**  
**D1040**



- Two flow settings at 100 psi (7 bar)
- All lightweight materials
- Hardcoat anodized aluminum
- Twist "off" position for positive shut-off

**DS1040**



**With Pistol Grip**  
**DS1024P**  
**DS1040P**

- Two flow settings at 100 psi (7 bar)
- All lightweight materials
- Hardcoat anodized aluminum
- Quick-change rear valve seat
- Stainless steel shut-off ball
- Twist "off" position for positive shut-off

**D1024FSS**  
**D1024FSS-BD**  
**D1024FSS-ID**



- Flow rate: 10 & 24 GPM (37 & 90 LPM)
- Foam solution compatible
- Knurled inlet coupling
- No bumper

MODEL	INLET	FLOW SETTINGS	COUPLING	PISTOL GRIP	LENGTH	WEIGHT
C1024	3/4" GHT (19 mm)	10 and 24 gpm (37 and 90 l/min)	Knurled Rigid Base	No	4.00" (10.2 cm)	0.6 lb (0.3 kg)
D1024	1.0" NH (25 mm)	10 and 24 gpm (37 and 90 l/min)	Knurled Rigid Base	No	4.00" (10.2 cm)	0.6 lb (0.3 kg)
D1024-BD	1.0" BSP (25 mm)	10 and 24 gpm (37 and 90 l/min)	Knurled Rigid Base	No	4.00" (10.2 cm)	0.6 lb (0.3 kg)
D1024-ID	1.0" NPSH (25 mm)	10 and 24 gpm (37 and 90 l/min)	Knurled Rigid Base	No	4.00" (10.2 cm)	0.6 lb (0.3 kg)
D1040	1.0" NH (25 mm)	10 and 40 gpm (37 and 150 l/min)	Knurled Rigid Base	No	4.00" (10.2 cm)	0.6 lb (0.3 kg)
D1040-BD	1.0" BSP (25 mm)	10 and 40 gpm (37 and 150 l/min)	Knurled Rigid Base	No	4.00" (10.2 cm)	0.6 lb (0.3 kg)
D1040-ID	1.0" NPSH (25 mm)	10 and 40 gpm (37 and 150 l/min)	Knurled Rigid Base	No	4.00" (10.2 cm)	0.6 lb (0.3 kg)
DS1040	1.0" NH (25 mm)	10 and 40 gpm (37 and 150 l/min)	Rocker Lug Swivel	No	6.25" (15.9 cm)	1.5 lb (0.7 kg)
DS1024P	1.0" NH (25 mm)	10 and 24 gpm (37 and 90 l/min)	Rocker Lug Swivel	Yes	6.25" (15.9 cm)	1.9 lb (0.9 kg)
DS1040P	1.0" NH (25 mm)	10 and 40 gpm (37 and 150 l/min)	Rocker Lug Swivel	Yes	6.25" (15.9 cm)	1.9 lb (0.9 kg)
DS1040P52MM	52 mm Storz	10 and 40 gpm (37 and 150 l/min)	Extended Storz Swivel	Yes	9.52" (24.2 cm)	2.7 lb (1.2 kg)
D1024FSS	1.0 " NH (25 mm)	10 and 24 gpm (37 and 90 l/min)	Knurled Rigid Base	No	3.74" (9.5 cm)	.6 lb (.3 kg)
D1024FSS-BD	1.0 " BSP (25 mm)	10 and 24 gpm (37 and 90 l/min)	Knurled Rigid Base	No	3.74" (9.5 cm)	.6 lb (.3 kg)
D1024FSS-ID	1.0 " NPSH (25 mm)	10 and 24 gpm (37 and 90 l/min)	Knurled Rigid Base	No	3.74" (9.5 cm)	.6 lb (.3 kg)

**TWISTER FOAM ATTACHMENTS**

The full line of foam attachments can be found in the Foam Equipment section.



MODEL	FITS NOZZLE	FRONT END	DIAMETER	LENGTH	WEIGHT
FJ-MX-D	Twister 1"(25 mm)	Polyethylene	5.2" (13.0 cm)	10.60" (26.9 cm)	1.4 lb (0.6 kg)

**TWISTER D- SERIES FOLDING PISTOL GRIP**

The full description of folding pistol grips can be found in the Folding Pistol Grip section.

MODEL	WHEN ORDERED WITH A NEW NOZZLE	LENGTH	WEIGHT
HM792-DKIT	TWISTER - SERIES	8.50" (21.6 cm)	1.7 lb (0.8 kg)

**DUAL GALLONAGE**

**TWISTER™ NOZZLE SERIES 1.5" (38 mm)**

The TWISTER series nozzles are selectable, single or dual gallonage, combination nozzles that are designed for simplicity and durability. The rubber bumper provides a positive grip and protects the front end. The rugged, economical nozzle also accepts the FJ-MX-F FoamJet multi-expansion foam aspirating attachment.



**F2060** Dual Flow

**F2095** Dual Flow

- Two flow settings at 100 psi (7 bar)
- F95 has single flow setting
- All lightweight materials
- Hardcoat anodized aluminum
- Twist "off" position for positive shut-off



**FS2060** Dual Flow

**FS2095** Dual Flow

**With Pistol Grip**

**FS2095P** Dual Flow

- Two flow settings at 100 psi (7 bar)
- FS95 and FS95P have a single flow setting
- All lightweight materials
- Hardcoat anodized aluminum
- Quick-change rear valve seat
- Stainless steel shut-off ball
- Twist "off" position for positive shut-off

DUAL FLOW	INLET	FLOW SETTINGS	COUPLING	PISTOL GRIP	LENGTH	WEIGHT
F2060	1.5" NH (38 mm)	20 and 60 gpm (75 and 230 l/min)	Knurled Rigid Base	No	5.25" (13.3 cm)	1.2 lb (0.5 kg)
F2095	1.5" NH (38 mm)	20 and 95 gpm (75 and 360 l/min)	Knurled Rigid Base	No	5.25" (13.3 cm)	1.2 lb (0.5 kg)
FS2060	1.5" NH (38 mm)	20 and 60 gpm (75 and 230 l/min)	Rocker Lug Swivel	No	7.37" (18.7 cm)	2.4 lb (1.1 kg)
FS2095	1.5" NH (38 mm)	20 and 95 gpm (75 and 360 l/min)	Rocker Lug Swivel	No	7.37" (18.7 cm)	2.4 lb (1.1 kg)
FS2095P	1.5" NH (38 mm)	20 and 95 gpm (75 and 360 l/min)	Rocker Lug Swivel	Yes	7.37" (18.7 cm)	2.6 lb (1.2 kg)



**TWISTER FOAM ATTACHMENTS**

The full line of foam attachments can be found in the Foam Equipment section.

MODEL	FITS NOZZLE	FRONT END	DIAMETER	LENGTH	WEIGHT
FJ-MX-F	Twister 1.5"(38 mm)	Polypropylene	7.4" (18.8 cm)	12.60" (32.0 cm)	2.2 lb (1.0 kg)

**TWISTER F- SERIES FOLDING PISTOL GRIP**

The full description of folding pistol grips can be found in the Folding Pistol Grip section.

MODEL	WHEN ORDERED WITH A NEW NOZZLE	LENGTH	WEIGHT
HM792-FKIT	TWISTER - SERIES	8.50" (21.6 cm)	1.7 lb (0.8 kg)

**DUAL GALLONAGE FOAM  
BUBBLE CUP® FOAM NOZZLE SERIES 1" (25 mm)**

The Bubble Cup, 1" (25 mm) series, is a unique combination nozzle capable of producing aspirated foam, straight stream and a wide fog pattern. When the outer sleeve is in the retracted position, the nozzle operates as a standard dual gallonage

straight stream/combination nozzle. To use the aspirating feature of the nozzle, the nozzle operator slides the outer sleeve forward, and by adjusting the pattern, has control of reach and aspiration.



**DS1040BC**      With Pistol Grip  
**DS1024BCP**  
**DS1040BCP**

- Two flow settings at 100 psi (7 bar)
- Stainless steel shut-off ball
- Quick-change rear valve seat
- Twist "off" position for positive shut-off

MODEL	INLET	FLOW SETTINGS @ 100 PSI (7 BAR)	COUPLING	PISTOL GRIP	LENGTH	WEIGHT
DS1040BC	1.0" NH (25 mm)	10 and 40 gpm (37 and 150 l/min)	Rocker Lug Swivel	No	6.37" - 8.37" (16.2 - 21.3 cm)	1.8 lb (0.8 kg)
DS1024BCP	1.0" NH (25 mm)	10 and 24 gpm (37 and 90 l/min)	Rocker Lug Swivel	Yes	6.37" - 8.37" (16.2 - 21.3 cm)	2.0 lb (0.9 kg)
DS1040BCP	1.0" NH (25 mm)	10 and 40 gpm (37 and 150 l/min)	Rocker Lug Swivel	Yes	6.37" - 8.37" (16.2 - 21.3 cm)	2.0 lb (0.9 kg)

**BUBBLE CUP D- SERIES FOLDING PISTOL GRIP**

The full description of folding pistol grips can be found in the Folding Pistol Grip section.

MODEL	WHEN ORDERED WITH A NEW NOZZLE	LENGTH	WEIGHT
HM792-DKIT	Bubble Cup D- SERIES	8.50" (21.6 cm)	1.7 lb (0.8 kg)

**DUAL GALLONAGE FOAM  
BUBBLE CUP® FOAM NOZZLE SERIES 1.5" (38 mm)**

The Bubble Cup, 1.5" (38 mm) series, is a unique combination nozzle capable of producing aspirated foam, straight stream and a wide fog pattern. When the outer sleeve is in the retracted position, the nozzle operates as a standard single or dual gallonage straight stream/combination nozzle. To use the aspirating feature of the nozzle, the nozzle operator slides the outer sleeve forward, and by adjusting the pattern, has control of reach and aspiration.

- All lightweight materials
- Hardcoat anodized for corrosion protection
- Stainless steel shut-off ball (except tip-only models)



**With Pistol Grip**  
**FS2060BCP** Dual Flow  
**FS2095BCP** Dual Flow  
**FS95BCP** Single Flow

- Two flow settings at 100 psi (7 bar)
- FS95BCP has single flow setting
- Quick-change rear valve seat
- Twist "off" position for positive shut-off

DUAL FLOW	INLET	FLOW SETTINGS @ 100 PSI (7 BAR)	COUPLING	PISTOL GRIP	LENGTH	WEIGHT
FS95BCP	1.5" NH (38 mm)	95 gpm (360 l/min)	Rocker Lug Swivel	Yes	7.25" - 9.75" (18.4 - 24.8 cm)	3.2 lb (1.5 kg)
FS2060BCP	1.5" NH (38 mm)	20 and 60 gpm (75 and 230 l/min)	Rocker Lug Swivel	Yes	7.25" - 9.75" (18.4 - 24.8 cm)	3.2 lb (1.5 kg)
FS2095BCP	1.5" NH (38 mm)	20 and 95 gpm (75 and 360 l/min)	Rocker Lug Swivel	Yes	7.25" - 9.75" (18.4 - 24.8 cm)	3.2 lb (1.5 kg)

**BUBBLE CUP F- SERIES FOLDING PISTOL GRIP**

The full description of folding pistol grips can be found in the Folding Pistol Grip section.

MODEL	WHEN ORDERED WITH A NEW NOZZLE	LENGTH	WEIGHT
HM792-FKIT	Bubble Cup F- SERIES	8.50" (21.6 cm)	1.7 lb (0.8 kg)

**SELECTABLE GALLONAGE  
QUADRAFOG® DQ40 NOZZLE SERIES 1" (25 mm)**

The QuadraFog DQ40 is selectable gallonage nozzle series for use on 1.0" (25 mm) hose lines. Available as tip only, or with bail type shut-off handle.

- All lightweight materials
- Hardcoat anodized aluminum
- Flush without shutting down
- Metal cut fog teeth or spinning teeth
- Accepts FJ-DQ low expansion or the FJ-MX-DQ multi-expansion foam attachments



**DQ40-ID**

- 1.0" (25 mm) Knurled rigid thread inlet
- Has an "OFF" position for break and extend operations



**With Pistol Grip  
DQS40P**

- 1.0" (25 mm) Rocker lug swivel inlet
- Stainless steel shut-off ball
- Quick-change rear valve seat

**DQ40 SERIES**

**5-10-24-40 Gpm (20-40-90-150 L/min)**

MODEL	INLET	FLOW SETTINGS	COUPLING	BALL VALVE	PISTOL GRIP	FOG TEETH	LENGTH	WEIGHT	EN CERTIFICATION
DQ40-ID	1.0" NPSH (25 mm)	5-10-24-40 gpm @ 100 psi (20-40-90-150 l/min @ 7 bar)	Knurled Rigid Base	No	No	Fixed Cut Metal	5.1" (13 cm)	1.1 lb (0.5 kg)	
DQS40P	1.0" NH (25 mm)	5-10-24-40 gpm @ 100 psi (20-40-90-150 l/min @ 7 bar)	Rocker Lug Swivel	Yes	Yes	Fixed Cut Metal	7.25" (18.4 cm)	2.3 lb (1.0 kg)	
QF150	1.0" BSPF (25 mm)	20-40-100-150 l/min @ 6 bar	Extended Knurled Swivel	Yes	Yes	Fixed Cut Metal	9.00" (23.3 cm)	2.7 lb (1.2 kg)	15182-2 Type 3



**QUADRAFOG FOAM ATTACHMENTS**

The full line of foam attachments can be found in the Foam Equipment section.

MODEL	FITS NOZZLE	FRONT END	DIAMETER	LENGTH	WEIGHT
FJ-DQ	QuadraFog 1" (25 mm)	Flexible Rubber	3.6" (9.1 cm)	6.50" (16.5 cm)	1.2 lb (0.5 kg)
FJ-MX-DQ	QuadraFog 1" (25 mm)	Polypropylene	7.4" (18.8 cm)	12.60" (32.0 cm)	2.2 lb (1.0 kg)

**QUADRAFOG D- SERIES FOLDING PISTOL GRIP**

The full description of folding pistol grips can be found in the Folding Pistol Grip section.

MODEL	WHEN ORDERED WITH A NEW NOZZLE	LENGTH	WEIGHT
HM792-DKIT	QuadraFog D- SERIES	8.50" (21.6 cm)	1.7 lb (0.8 kg)



**SELECTABLE GALLONAGE**

**QUADRAFOG® DQ60 NOZZLE SERIES 1" (25 mm)**

The Quadrafog DQ60 is a selectable gallonage nozzle series that is similar to the DQ40 version but with an additional higher flow setting. The QuadraFog DQ60 is selectable gallonage nozzle series for use on 1.0" (25 mm) hose lines. Available as tip only, or with bail type shut-off handle.

- All lightweight materials
- Hardcoat anodized aluminum
- Flush without shutting down
- Metal cut fog teeth or spinning teeth
- Accepts FJ-DQ low expansion or the FJ-MX-DQ multi-expansion foam attachments
- Metric models may vary from units shown. See chart below.



**With Pistol Grip  
DQS60P  
DQS-EKFP-BD**

- 1.0" (25 mm) Rocker lug swivel inlet
- Stainless steel shut-off ball
- Quick-change rear valve seat

**DQ60 SERIES**

**5-10-24-40-60 Gpm (20-40-90-150-230 L/min)**

MODEL	INLET	FLOW SETTINGS	COUPLING	BALL VALVE	PISTOL GRIP	FOG TEETH	LENGTH	WEIGHT	EN CERTIFICATION
DQS60P	1.0" NH (25 mm)	5-10-24-40-60 gpm @ 100 psi (20-40-90-150-230 l/min @ 7 bar)	Rocker Lug Swivel	Yes	Yes	Fixed Cut Metal	7.25" (18.4 cm)	2.3 lb (1.0 kg)	
DQS-EKFP-BD	1.0" BSPF (25 mm)	20-40-100-150-230 l/min @ 7 bar	Extended Knurled Swivel	Yes	Yes	Fixed Cut Metal	9.00" (23.3 cm)	2.7 lb (1.2 kg)	
QF235-BH	2.0" BSPM (52 mm)	20-40-100-150-235 l/min @ 6 bar	Extended Male Swivel	Yes	Yes	Fixed Cut Metal	9.00" (23.3 cm)	2.7 lb (1.2 kg)	15182-2 Type 3
QF235-HP	1.0" BSPF (25 mm)	20-40-100-150-235 l/min @ 6 bar	Extended Knurled Swivel	Yes	Yes	Fixed Cut Metal	9.00" (23.3 cm)	2.7 lb (1.2 kg)	15182-4 Type 3



**QUADRAFOG FOAM ATTACHMENTS**

The full line of foam attachments can be found in the Foam Equipment section.

MODEL	FITS NOZZLE	FRONT END	DIAMETER	LENGTH	WEIGHT
FJ-DQ	QuadraFog 1" (25 mm)	Flexible Rubber	3.6" (9.1 cm)	6.50" (16.5 cm)	1.2 lb (0.5 kg)
FJ-MX-DQ	QuadraFog 1" (25 mm)	Polypropylene	7.4" (18.8 cm)	12.60" (32.0 cm)	2.2 lb (1.0 kg)

**QUADRAFOG D- SERIES FOLDING PISTOL GRIP**

The full description of folding pistol grips can be found in the Folding Pistol Grip section.

MODEL	WHEN ORDERED WITH A NEW NOZZLE	LENGTH	WEIGHT
HM792-DKIT	QuadraFog D- SERIES	8.50" (21.6 cm)	1.7 lb (0.8 kg)

**SELECTABLE GALLONAGE  
QUADRAFOG® NOZZLE SERIES 1.5" (38 mm)**



An excellent selectable gallonage nozzle for any 1.5" (38mm) hose line. The QUADRAFOG is an economical and lightweight combination nozzle suitable for use with low-expansion or multi-expansion foam attachments. 1" versions range are 5-40 gpm (20-150 l/min) or 5-60gpm (20-230 l/min). The 1.5" version has a range of 30-125 gpm (110-470 l/min), and is available in high(100 psi) or low-pressure (75 psi) versions with either a molded rubber bumper or stainless steel spinning fog teeth.

- All lightweight materials
- Hardcoat anodized aluminum
- Flush without shutting down
- Metal cut or stainless steel spinning fog teeth



**FQS125S**      **With Pistol Grip**  
**FQS125PF**  
**FQS125PS**

- Rocker lug swivel inlet
- Stainless steel shut-off ball valve
- Quick change rear valve seat

MODEL	INLET	FLOW SETTINGS	COUPLING	BALL VALVE	PISTOL GRIP	FOG TEETH	LENGTH	WEIGHT
FQS125S	1.5" NH (38 mm)	30-60-95-125 GPM @ 100 PSI	Rocker Lug Swivel	Yes	No	Stainless Steel Spinning	8.37" (21.3 cm)	3.4 lb (1.5 kg)
FQS125PF	1.5" NH (38 mm)	30-60-95-125 GPM @ 100 PSI	Rocker Lug Swivel	Yes	Yes	Fixed Cut Metal	8.37" (21.3 cm)	3.6 lb (1.6 kg)
FQS125PS	1.5" NH (38 mm)	30-60-95-125 GPM @ 100 PSI	Rocker Lug Swivel	Yes	Yes	Stainless Steel Spinning	8.37" (21.3 cm)	3.6 lb (1.6 kg)



**QUADRAFOG FOAM ATTACHMENTS**

The full line of foam attachments can be found in the Foam Equipment section.

MODEL	FITS NOZZLE	FRONT END	DIAMETER	LENGTH	WEIGHT
FJ-LX-FQ	QuadraFog 1.5" (38 mm)	Polypropylene	5.8" (14.6 cm)	20.20" (51.3 cm)	3.0 lb (1.4 kg)
FJ-MX-FQ	QuadraFog 1.5" (38 mm)	Polypropylene	7.4" (18.8 cm)	15.20" (38.6 cm)	3.3 lb (1.5 kg)

**QUADRAFOG F- SERIES FOLDING PISTOL GRIP**

The full description of folding pistol grips can be found in the Folding Pistol Grip section.

MODEL	WHEN ORDERED WITH A NEW NOZZLE	LENGTH	WEIGHT
HM792-FKIT	QuadraFog F- SERIES	8.50" (21.6 cm)	1.7 lb (0.8 kg)

**SELECTABLE GALLONAGE  
QUADRAFOG® NOZZLE SERIES METRIC**

The QuadraFog is a selectable gallonage nozzle series for use on 38 mm and 52 mm hose lines. Available with bail type shut-off handle and pistol grip.

- All lightweight materials
- Hardcoat anodized aluminum
- Flush without shutting down
- Metal cut or stainless steel spinning fog teeth



**With Pistol Grip  
FQS-EUPS-BF  
QF400 (not shown)  
QF500**

- Swivel inlet
- Stainless steel shut-off ball valve

MODEL	INLET	FLOW SETTINGS	COUPLING	BALL VALVE	PISTOL GRIP	FOG TEETH	LENGTH	WEIGHT	EN CERTIFICATION
FQS125PS-BR	52 MM STORZ	30-60-95-125 GPM @ 100 PSI	Swivel Storz	Yes	Yes	Stainless Steel Spinning	9.60" (24.3 cm)	4.4 lb (2.0 kg)	
FQS-EUPS-BF	1.5" BSPF	110-230-360-470 l/min @ 7 bar	Rocker Lug Swivel	Yes	Yes	Stainless Steel Spinning	8.37" (21.3 cm)	3.6 lb (1.6 kg)	
FQS-EUPS-BIC	2.5" BICM	110-230-360-470 l/min @ 7 bar	Male BIC Swivel	Yes	Yes	Stainless Steel Spinning	8.37" (21.3 cm)	4.7 lb (2.13 kg)	
QF400	2.0" BSPM	70-130-230-400 l/min @ 6 bar	Male Thread Swivel	Yes	Yes	Fixed Cut Metal	9.60" (24.3 cm)	3.8 lb (1.7 kg)	15182-2 Type 3
QF500	1.5" BSPF	100-250-350-500 l/min @ 6 bar	Extended Knurled Swivel	Yes	Yes	Fixed Cut Metal	9.60" (24.3 cm)	3.8 lb (1.7 kg)	15182-2 Type 3



**QUADRAFOG FOAM ATTACHMENTS**

The full line of foam attachments can be found in the Foam Equipment section.

MODEL	FITS NOZZLE	FRONT END	DIAMETER	LENGTH	WEIGHT
FJ-LX-FQ	QuadraFog 1.5" (38 mm)	Polyethylene	5.8" (14.6 cm)	20.20" (51.3 cm)	3.0 lb (1.4 kg)
FJ-MX-FQ	QuadraFog 1.5" (38 mm)	Polypropylene	7.4" (18.8 cm)	15.20" (38.6 cm)	3.3 lb (1.5 kg)

**QUADRAFOG F- SERIES FOLDING PISTOL GRIP**

The full description of folding pistol grips can be found in the Folding Pistol Grip section.

MODEL	WHEN ORDERED WITH A NEW NOZZLE	LENGTH	WEIGHT
HM792-FKIT	QuadraFog F- SERIES	8.50" (21.6 cm)	1.7 lb (0.8 kg)

**SELECTABLE GALLONAGE FOAM  
QUADRACUP™ FOAM NOZZLE SERIES 1.5" (38 mm)**

**NFPA  
COMPLIANT**

The QuadraCup, 1.5" (38 mm) series, is a unique combination nozzle capable of producing aspirated foam, straight stream and a wide fog pattern. Four flow settings of 30, 60, 95, & 125 gpm (110, 230, 360 & 470 l/min) makes it an outstanding performer for 1.5" (38 mm) hose. When the outer sleeve is in the retracted position, the nozzle operates as a standard selectable gallonage straight stream/combination nozzle. To use the aspirating

feature of the nozzle, the nozzle operator slides the outer sleeve forward, and by adjusting the pattern, has control of reach and aspiration. The front end can be rotated from straight stream through wide fog patterns. Uniquely cut fixed metal fog teeth produce a wide range of fog patterns. Metric models may vary from units shown. See chart below.



**FQS125BCP  
FQS125BCPL**

- Lightweight materials hardcoat anodized aluminum
- Flush without shutting down
- Quick-change rear valve seat
- Stainless steel shut-off ball
- Pistol grip is mounted below the valve

MODEL	INLET	FLOW SETTINGS	COUPLING	BALL VALVE	PISTOL GRIP	LENGTH	WEIGHT
FQS125BCP	1.5" NH (38 mm)	30, 60, 95, and 125 gpm @ 100 psi (110, 230, 360 and 470 l/min @ 7 bar)	Rocker Lug Swivel	Yes	Yes	7.25" - 9.75" (18.4 - 24.8 cm)	3.2 lb (1.5 kg)
FQS125BCPL	1.5" NH (38 mm)	30, 60, 95, and 125 gpm @ 75 psi (110, 230, 360 and 470 l/min @ 5 bar)	Rocker Lug Swivel	Yes	Yes	7.25" - 9.75" (18.4 - 24.8 cm)	3.2 lb (1.5 kg)
FQCS-ELP-BJ	2.5" BSPM (65 mm)	2.5-4-6.5-8 L/sec @ 0.6 MPa	Male Thread Swivel	Yes	Yes	9.75"-12.25" (24.8 - 31.1 cm)	4.8 lb (2.2 kg)
FQCS-ENP-BF	1.5" BSPF (38 mm)	110-230-360-470 l/min @ 5 bar	Extended Knurled Swivel	Yes	Yes	8.48" - 10.98" (21.5 - 27.9 cm)	4.3 lb (2.0 kg)
FQCS-EUP-BF	1.5" BSPF (38 mm)	110-230-360-470 l/min @ 7 bar	Extended Knurled Swivel	Yes	Yes	8.48" - 10.98" (21.5 - 27.9 cm)	4.3 lb (2.0 kg)

**QUADRACUP F- SERIES FOLDING PISTOL GRIP**

The full description of folding pistol grips can be found in the Folding Pistol Grip section.

MODEL	WHEN ORDERED WITH A NEW NOZZLE	LENGTH	WEIGHT
HM792-FKIT	QuadraCup F- SERIES	8.50" (21.6 cm)	1.7 lb (0.8 kg)

**SELECTABLE GALLONAGE**  
**THUNDERFOG® 200 NOZZLE SERIES 1.5" (38 mm)**



The ThunderFog 200 series selectable gallonage nozzle has selectable flows of 30-60-95-125-150-200 gpm (110-230-360-470-570-750 l/min). The 200 series is an excellent choice for 1.5" (38 mm) or 1.75" (45 mm) hose lines. Available in 100 psi (7 bar) or 75 psi (5 bar) rating.

- NFPA Compliant
- All 100 psi (7 bar) nozzles are FM Approved
- All lightweight materials
- Hardcoat anodized aluminum
- Flush without shutting down
- Metal cut or stainless steel spinning fog teeth
- Accepts FJ-MX-FT multi-expansion foam attachment



**FT200F**  
**FT200S**

- Has an "OFF" position for break and extend operations
- Rigid rocker lug inlet



**With Pistol Grip**  
**FTS200PF**  
**FTS200PS**

- Rocker lug swivel inlet
- Quick change rear valve seat
- Stainless steel shut-off ball valve

MODEL	INLET	FLOW SETTINGS	PISTOL GRIP	FOG TEETH	LENGTH	WEIGHT
FT200F	1.5" NH (38 mm)	30, 60, 95, 125, 150, and 200 gpm @ 100 psi (110, 230, 360, 470, 570, and 750 l/min @ 7 bar)	No	Fixed Cut Metal	8.25" (21 cm)	3.7 lb (1.7 kg)
FT200S	1.5" NH (38 mm)	30, 60, 95, 125, 150, and 200 gpm @ 100 psi (110, 230, 360, 470, 570, and 750 l/min @ 7 bar)	No	Stainless Steel Spinning	8.25" (21 cm)	3.7 lb (1.7 kg)
FTS200PF	1.5" NH (38 mm)	30, 60, 95, 125, 150, and 200 gpm @ 100 psi (110, 230, 360, 470, 570, and 750 l/min @ 7 bar)	Yes	Fixed Cut Metal	10.18" (25.9 cm)	5.8 lb (2.6 kg)
FTS200PF52MM	52 mm Storz	30, 60, 95, 125, 150, and 200 gpm @ 100 psi (110, 230, 360, 470, 570, and 750 l/min @ 7 bar)	Yes	Fixed Cut Metal	12.18" (30.9 cm)	6.2 lb (2.8 kg)
FTS200PS	1.5" NH (38 mm)	30, 60, 95, 125, 150, and 200 gpm @ 100 psi (110, 230, 360, 470, 570, and 750 l/min @ 7 bar)	Yes	Stainless Steel Spinning	10.18" (25.9 cm)	5.8 lb (2.6 kg)
FTS-EPPSF-BF	1.5" BSP (38 mm)	110-230-360-470-570-750 l/min @ 5 bar	Yes (Red)	Stainless Steel Spinning	10.18" (25.9 cm)	5.8 lb (2.6 kg)
FTS-EWPS-BIC	2.5" BICM (65 mm)	110-230-360-470-570-750 l/min @ 7 bar	Yes	Stainless Steel Spinning	12.2" (31 cm)	5.9 lb (2.7 kg)

**SELECTABLE GALLONAGE  
THUNDERFOG® 250 NOZZLE SERIES 1.5" (38 mm)**



The ThunderFog 250 series selectable gallonage nozzle has selectable flows of 95-125-150-200-250 gpm (360-470-570-750-950 l/min). The 250 series is an excellent choice for 1.5" (38 mm) through 2.5" (65 mm) lines.

- NFPA Compliant
- All 100 psi (7 bar) nozzles are FM Approved
- All lightweight materials
- Hardcoat anodized aluminum
- Flush without shutting down
- Metal cut or stainless steel spinning fog teeth
- Accepts FJ-MX-FT multi-expansion foam attachment
- Metric models may vary from units shown. See chart below.

**FT250S**

- Has an "OFF" position for break and extend operations
- Rigid rocker lug inlet



**With Pistol Grip  
FTS250PS**

- Rocker lug swivel inlet
- Quick change rear valve seat
- Stainless steel shut-off ball valve



MODEL	INLET	FLOW SETTINGS	PISTOL GRIP	FOG TEETH	LENGTH	WEIGHT
FT250S	1.5" NH (38 mm)	95-125-150-200-250 gpm @ 100 psi (360-470-570-750-950 l/min @ 7 bar)	No	Stainless Steel Spinning	8.25" (21 cm)	3.7 lb (1.7 kg)
FTS250PS	1.5" NH (38 mm)	95-125-150-200-250 gpm @ 100 psi (360-470-570-750-950 l/min @ 7 bar)	Yes	Stainless Steel Spinning	10.18" (25.9 cm)	5.8 lb (2.6 kg)



**THUNDERFOG FOAM ATTACHMENTS**

The full line of foam attachments can be found in the Foam Equipment section.

MODEL	FITS NOZZLE	FRONT END	DIAMETER	LENGTH	WEIGHT
FJ-MX-FT	ThunderFog	Polyethylene	8.6" (21.8 cm)	17.00" (43.2 cm)	5.2 lb (2.4 kg)
FJP-FT	ThunderFog	Flexible Rubber	5.2" (13.2 cm)	8.5" (21.6 cm)	2.6 lb (1.2 kg)

**THUNDERFOG SERIES FOLDING PISTOL GRIP**

The full description of folding pistol grips can be found in the Folding Pistol Grip section.

MODEL	WHEN ORDERED WITH A NEW NOZZLE	LENGTH	WEIGHT
HM792-JKIT	ThunderFog F and J - SERIES	8.50" (21.6 cm)	1.7 lb (0.8 kg)

**SELECTABLE GALLONAGE  
THUNDERFOG® 250 NOZZLE SERIES 2.5" (65 mm)**



The ThunderFog 250 series of selectable gallonage nozzle has a selectable flow settings of 95, 125, 150, 200, and 250 gpm @ 100 psi (360-470-570-750-950 l/min @ 7 bar). The 250 series is an excellent choice for 2.5" or 3" (64 or 75 mm) hose lines.

- NFPA Compliant
- FM Approved
- All lightweight materials
- Hardcoat anodized aluminum
- Flush without shutting down
- Metal cut or stainless steel spinning fog teeth
- Accepts FJ-MX-FT multi-expansion foam attachment
- Metric models may vary from units shown. See chart below.



**JTS250S**  
**With Pistol Grip**  
**JTS250PF**  
**JTS250PS**

- Rocker lug swivel inlet
- Quick change rear valve seat
- Stainless steel shut-off ball valve

MODEL	INLET	FLOW SETTINGS	PISTOL GRIP	FOG TEETH	LENGTH	WEIGHT	EN CERTIFICATION
JTS250S	2.5" NH (65 mm)	95, 125, 150, 200, and 250 gpm @ 100 psi (360, 470, 570, 750, and 950 l/min @ 7 bar)	No	Stainless Steel Spinning	11.40" (29.0 cm)	6.0 lb (2.7 kg)	
JTS250PF	2.5" NH (65 mm)	95, 125, 150, 200, and 250 gpm @ 100 psi (360, 470, 570, 750, and 950 l/min @ 7 bar)	Yes	Fixed Cut Metal	11.40" (29.0 cm)	6.3 lb (2.9 kg)	
JTS250PS	2.5" NH (65 mm)	95, 125, 150, 200, and 250 gpm @ 100 psi (360, 470, 570, 750, and 950 l/min @ 7 bar)	Yes	Stainless Steel Spinning	11.40" (29.0 cm)	6.3 lb (2.9 kg)	
JTS-EVPS-BIC	2.5" BICM (65 mm)	360, 470, 570, 750, and 950 l/min @ 7 bar	Yes	Stainless Steel Spinning	12.9" (32.8 cm)	6.5 lb (2.9 kg)	
JTS-EVPS-BJ	2.5" BSPF (65 mm)	360, 470, 570, 750, and 950 l/min @ 7 bar	Yes	Stainless Steel Spinning	11.40" (29.0 cm)	5.8 lb (2.6 kg)	
JTS250PF75MM	75 mm Storz	95, 125, 150, 200, and 250 gpm @ 100 psi (360, 470, 570, 750, and 950 l/min @ 7 bar)	Yes	Fixed Cut Metal	14.12" (35.9 cm)	9.2 lb (4.2 kg)	
QF1000-SL	75 mm Storz	285, 500, 600, 800, and 1000 l/min @ 6 bar	Yes	Fixed Cut Metal	14.40" (36.6 cm)	7.1 lb (3.2 kg)	15182-2 Type 3



**THUNDERFOG FOAM ATTACHMENTS**

The full line of foam attachments can be found in the Foam Equipment section.

MODEL	FITS NOZZLE	FRONT END	DIAMETER	LENGTH	WEIGHT
FJ-MX-FT	ThunderFog	Polyethylene	8.6" (21.8 cm)	17.00" (43.2 cm)	5.2 lb (2.4 kg)
FJP-FT	ThunderFog	Flexible Rubber	5.2" (13.2 cm)	8.5" (21.6 cm)	2.6 lb (1.2 kg)

**THUNDERFOG SERIES FOLDING PISTOL GRIP**

The full description of folding pistol grips can be found in the Folding Pistol Grip section.

MODEL	WHEN ORDERED WITH A NEW NOZZLE	LENGTH	WEIGHT
HM792-JKIT	ThunderFog J - SERIES	8.50" (21.6 cm)	1.7 lb (0.8 kg)

**AUTOMATIC  
ULTIMATIC™ 125 NOZZLE SERIES 1.0" (25 mm)**

The TFT ULTIMATIC 125 has an unprecedented flow range of 10-125 gpm @ 100 psi (40-500 l/min @ 7 bar) or 10-100 gpm @ 75 psi (40-400 l/min @ 5 bar). The Ultimatic 125 series is an outstanding performer for 1" (25 mm) as well as 1.5" (38 mm) hose.

This nozzle performs well for high pressure applications, on .75", 1.0" and 1.25" (19 mm, 25 mm and 32 mm) hose, up to 800 psi (55 bar).

- All lightweight materials
- Hardcoat anodized aluminum
- Flush without shutting down
- Molded rubber bumper with "power fog" teeth
- "Gasket Grabber" inlet screen
- Accepts FJ-U low expansion or FJ-UMX multi-expansion foam attachment



**With Pistol Grip  
B-BGH  
B-BGH-BD  
BL-BGH**

- 1.0" NH (25 mm) full-time swivel knurled coupling
- Stainless steel slide valve

MODEL	INLET	FLOW RANGE	PISTOL GRIP	FOG TEETH	LENGTH	WEIGHT
B-BGH	1.0" NH (25 mm)	10-125 gpm @ 100 psi (40-500 l/min @ 7 bar)	Yes	Fixed Rubber	9.00" (22.9 cm)	2.6 lb (1.2 kg)
B-BGH-BD	1.0"BSP (25 mm)	10-125 gpm @ 100 psi (40-500 l/min @ 7 bar)	Yes	Fixed Rubber	9.00" (22.9 cm)	2.6 lb (1.2 kg)
BL-BGH	1.0" NH (25 mm)	10-100 gpm @ 75 psi (40-400 l/min @ 5 bar)	Yes	Fixed Rubber	9.00" (22.9 cm)	2.6 lb (1.2 kg)

**ULTIMATIC FOAM ATTACHMENTS**

The full line of foam attachments can be found in the Foam Equipment section.



MODEL	FITS NOZZLE	FRONT END	DIAMETER	LENGTH	WEIGHT
FJ-U	Ultimatic	Flexible Rubber	3.6" (9.1 cm)	6.50" (16.5 cm)	1.2 lb (0.5 kg)
FJ-UMX	Ultimatic	Polypropylene	7.4" (18.8 cm)	15.25" (38.7 cm)	3.2 lb (1.5 kg)

**ULTIMATIC SERIES FOLDING PISTOL GRIP**

The full description of folding pistol grips can be found in the Folding Pistol Grip section.

MODEL	WHEN ORDERED WITH A NEW NOZZLE	LENGTH	WEIGHT
HM792-UKIT	ULTIMATIC SERIES	8.50" (21.6 cm)	1.7 lb (0.8 kg)



**AUTOMATIC  
ULTIMATIC™ 125 NOZZLE SERIES 1.5" (38 mm)**

The TFT ULTIMATIC 125 has an unprecedented flow range of 10-125 gpm @ 100 psi (40-500 l/min @ 7 bar) or 10-100 gpm @ 75 psi (40-400 l/min @ 5 bar). The Ultimatic series is an outstanding performer for 1.5" (38 mm) hose.

This nozzle performs well for high pressure applications, on .75", 1.0" and 1.25" (19 mm, 25 mm and 32 mm) hose, up to 800 psi (55 bar).

- All lightweight materials
- Hardcoat anodized aluminum
- Flush without shutting down
- Molded rubber bumper with "power fog" teeth
- "Gasket Grabber" inlet screen
- Accepts FJ-U low expansion or FJ-UMX multi-expansion foam attachment



**With Pistol Grip  
BGH-125**

- 1.5" NH (38 mm) full-time swivel rocker lug coupling
- Stainless steel slide valve

MODEL	INLET	FLOW RANGE	PISTOL GRIP	FOG TEETH	LENGTH	WEIGHT
BGH-125	1.5" NH (38 mm)	10-125 gpm @ 100 psi (40-500 l/min @ 7 bar)	Yes	Fixed Rubber	10.50" (26.7 cm)	3.0 lb (1.4 kg)

**ULTIMATIC FOAM ATTACHMENTS**

The full line of foam attachments can be found in the Foam Equipment section.



MODEL	FITS NOZZLE	FRONT END	DIAMETER	LENGTH	WEIGHT
FJ-U	Ultimatic	Flexible Rubber	3.6" (9.1 cm)	6.50" (16.5 cm)	1.2 lb (0.5 kg)
FJ-UMX	Ultimatic	Polypropylene	7.4" (18.8 cm)	15.25" (38.7 cm)	3.2 lb (1.5 kg)

**ULTIMATIC SERIES FOLDING PISTOL GRIP**

The full description of folding pistol grips can be found in the Folding Pistol Grip section.

MODEL	WHEN ORDERED WITH A NEW NOZZLE	LENGTH	WEIGHT
HM792-UKIT	ULTIMATIC SERIES	8.50" (21.6 cm)	1.7 lb (0.8 kg)

**AUTOMATIC**  
**ULTIMATIC™ METRIC NOZZLE SERIES**

The TFT ULTIMATIC has an unprecedented flow range of 40-500 l/min @ 7 bar or 40-400 l/min @ 5 bar. The Ultimatic series is an outstanding performer for 1.0", 1.5" and 2.0" (25, 38, 52 mm) hose.

This nozzle performs well for high pressure applications, up to 800 psi (55 bar).

- All lightweight materials
- Hardcoat anodized aluminum
- Flush without shutting down
- Molded rubber bumper with "power fog" teeth
- "Gasket Grabber" inlet screen
- Accepts FJ-U low expansion or FJ-UMX multi-expansion foam attachment



With Pistol Grip	<b>BP20-057</b>	<b>BP20-104</b>	• Stainless steel slide valve
	<b>BP20-058</b>	<b>BP20-122</b>	



**AUTOMATIC  
ULTIMATIC™ METRIC NOZZLE SERIES**

MODEL	INLET	FLOW RANGE	PISTOL GRIP	FOG TEETH	LENGTH	WEIGHT	EN CERTIFICATION
BP20-057	1.0" BSPF (25 mm)	50-220 l/min @ 5 bar flashover	Yes	Fixed Rubber	9.00" (23.0 cm)	2.6 lb (1.2 kg)	15182-4 Type 4
BP20-058	1.5" BSPF (38 mm)	150-500 l/min @ 7 bar flashover	Yes	Fixed Rubber	10.4" (26.4 cm)	3.0 lb (1.4 kg)	15182-2 Type 4
BP20-092	1.5" BSPF (38 mm)	150-400 l/min @ 6 bar flashover	Yes	Fixed Rubber	10.0" (25.4 cm)	3.0 lb (1.4 kg)	15182-2 Type 4
BP20-094	1.5" NPSH (38 mm)	150-400 l/min @ 5 bar w/ spray stop	Yes	Fixed Rubber	10.4" (26.4 cm)	3.0 lb (1.4 kg)	15182-2 Type 4
BP20-104	2" BSPM (52 mm)	150-400 l/min @ 5 bar w/flow stop	Yes	Fixed Rubber	12.3" (31.2 cm)	3.7 lb (1.7 kg)	15182-2 Type 4
BP20-110	2" BSPM (52 mm)	150-400 l/min @ 6 bar flashover	Yes	Fixed Rubber	10.0" (25.4 cm)	3.0 lb (1.4 kg)	15182-2 Type 4
BP20-122	1.5" BSPF (38 mm)	150-400 l/min @ 5 bar w/flow stop	Yes	Fixed Rubber	12.3" (31.2 cm)	3.7 lb (1.7 kg)	15182-2 Type 4
BP20-130	1.5" BSPF (38 mm)	150-400 l/min @ 3.5 bar flashover	Yes	Fixed Rubber	10.4" (26.4 cm)	3.0 lb (1.4 kg)	
BP20-131	1.5" BSPF (38 mm)	150-400 l/min @ 3.5 bar flashover w/flow stop	Yes	Fixed Rubber	12.3" (31.2 cm)	3.0 lb (1.4 kg)	15182-2 Type 4

**ULTIMATIC FOAM ATTACHMENTS**

The full line of foam attachments can be found in the Foam Equipment section.



MODEL	FITS NOZZLE	FRONT END	DIAMETER	LENGTH	WEIGHT
FJ-U	Ultimatic	Flexible Rubber	3.6" (9.1 cm)	6.50" (16.5 cm)	1.2 lb (0.5 kg)
FJ-UMX	Ultimatic	Polypropylene	7.4" (18.8 cm)	15.25" (38.7 cm)	3.2 lb (1.5 kg)

**ULTIMATIC SERIES FOLDING PISTOL GRIP**

The full description of folding pistol grips can be found in the Folding Pistol Grip section.

MODEL	WHEN ORDERED WITH A NEW NOZZLE	LENGTH	WEIGHT
HM792-UKIT	ULTIMATIC SERIES	8.50" (21.6 cm)	1.7 lb (0.8 kg)

**AUTOMATIC**

**MID-MATIC™ NOZZLE SERIES 1.5" (38 mm)**



With a wide flow range of 70-200 gpm (260-760 l/min), the MID-MATIC can be used on 1.5" (38 mm), 1.75" (45 mm) and 2" (52 mm) hoses and has operational pressure choices of 100, or 75 psi (7, or 5 bar). MID-MATIC models are fully NFPA compliant, and are available in tip-only/ball shut-off configuration for break-apart operations, or with stainless steel slide valve, and optional colored pistol grip and handle covers.

- Hardcoat anodized aluminum
- Flush without shutting down
- Molded rubber bumper with "power fog" or stainless steel spinning fog teeth
- Stainless steel slide valve with detent flow control
- "Gasket Grabber" inlet screen
- Accepts FJ-LX-HM or FJ-HM low expansion or FJ-MX-HM multi-expansion foam attachment



**HML-TO  
HM-TO**

- 1.5" (38 mm) Rigid rocker lug thread inlet
- Tip does not shut-off and must be used with a separate valve



**HM-V  
HML-V**

**With Pistol Grip  
HM-VPGI  
HM-VPGI-BIC  
HML-VPGI**

- 1.5" NH (38 mm) full-time swivel rocker lug coupling
- Stainless steel slide valve
- \* 2.5 BIC (65 mm) swivel male inlet

**AUTOMATIC**

**MID-MATIC™ NOZZLE SERIES 1.5" (38 mm)**

MODEL	INLET	OPERATING PRESSURE	PISTOL GRIP	FOG TEETH	LENGTH	WEIGHT
HML-TO	1.5" NH (38 mm)	75 psi (5 bar)	No	Fixed Rubber	7.20" (18.3 cm)	2.3 lb (1.0 kg)
HM-TO	1.5" NH (38 mm)	100 psi (7 bar)	No	Fixed Rubber	7.20" (18.3 cm)	2.3 lb (1.0 kg)

MODEL	INLET	OPERATING PRESSURE	PISTOL GRIP	FOG TEETH	LENGTH	WEIGHT
HM-V	1.5" NH (38 mm)	100 psi (7 bar)	No	Fixed Rubber	11.50" (29.2 cm)	4.5 lb (2.0 kg)
HML-V	1.5" NH (38 mm)	75 psi (5 bar)	No	Fixed Rubber	11.50" (29.2 cm)	4.5 lb (2.0 kg)
HM-VPGI	1.5" NH (38 mm)	100 psi (7 bar)	Yes	Fixed Rubber	11.50" (29.2 cm)	4.8 lb (2.2 kg)
HM-VPGI-BIC	2.5" BICM (65 mm)	100 psi (7 bar)	Yes	Fixed Rubber	15.1" (38.4 cm)	6.0 lb (2.7 kg)
HML-VPGI	1.5" NH (38 mm)	75 psi (5 bar)	Yes	Fixed Rubber	11.50" (29.2 cm)	4.8 lb (2.2 kg)
HMP20-108	1.5 BSPF (38 mm)	100-600 l/min @ 6 bar	Yes	Fixed Rubber	14.1" (35.8 cm)	5.8 lb (2.6 kg)



**MID-MATIC FOAM ATTACHMENTS**

The full line of foam attachments can be found in the Foam Equipment section.

MODEL	FITS NOZZLE	FRONT END	DIAMETER	LENGTH	WEIGHT
FJ-HM	Mid-Matic	Flexible Rubber	5.2" (13.2 cm)	8.50"(21.6 cm)	2.6 lb(1.2 kg)
FJ-LX-HM	Mid-Matic	Polyethylene	5.8" (14.6 cm)	20.20"(51.3 cm)	3.0 lb(1.4 kg)
FJ-MX-HM	Mid-Matic	Polypropylene	7.4"(18.8 cm)	15.40"(39.1 cm)	3.2 lb(1.5 kg)

**MID-MATIC SERIES FOLDING PISTOL GRIP**

The full description of folding pistol grips can be found in the Folding Pistol Grip section.

MODEL	WHEN ORDERED WITH A NEW NOZZLE	LENGTH	WEIGHT
HM792-HMKIT	MIDMATIC - SERIES	8.50" (21.6 cm)	1.7 lb (0.8 kg)

**AUTOMATIC**

**HANDLINE™ NOZZLE SERIES 1.5" (38 mm)**

With a wide flow range of 95-300 gpm @ 100 psi (360-1150 l/min @ 7 bar) or the low pressure version 95-250 gpm @ 75 psi (360-950 l/min @ 5 bar) the Handline series is an excellent choice for 1.5", 1.75", and 2.0" (38 mm, 45 mm, and 52 mm) attack lines.

- Lightweight hardcoat anodized aluminum
- Flush without shutting down
- Molded rubber bumper with "power fog" teeth
- "Gasket Grabber" inlet screen
- Accepts FJ-H low expansion or FJ-HMX multi-expansion foam attachment



**H-TO  
HL-TO**

- 1.5" (38 mm) Rigid rocker lug inlet
- Tip does not shut-off and must be used with a separate valve



**H-V With Pistol Grip  
HL-V Grip  
H-VPGI**

- 1.5" NH (38 mm) full-time swivel rocker lug coupling
- Stainless Steel slide valve with detent flow control
- Pistol grip mounted below the valve

MODEL	INLET	OPERATING PRESSURE	PISTOL GRIP	FOG TEETH	LENGTH	WEIGHT
H-TO	1.5" NH (38 mm)	100 psi (7 bar)	No	Fixed Rubber	9.75" (24.8 cm)	4.4 lb (2.0 kg)
H-V	1.5" NH (38 mm)	100 psi (7 bar)	No	Fixed Rubber	13.00" (33.0 cm)	6.8 lb (3.1 kg)
H-VPGI	1.5" NH (38 mm)	100 psi (7 bar)	Yes	Fixed Rubber	13.00" (33.0 cm)	7.0 lb (3.2 kg)



**HANDLINE FOAM ATTACHMENTS**

The full line of foam attachments can be found in the Foam Equipment section.

MODEL	FITS NOZZLE	FRONT END	DIAMETER	LENGTH	WEIGHT
FJ-H	Handline	Flexible Rubber	5.2" (13.2 cm)	8.50" (21.6 cm)	2.6 lb (1.2 kg)
FJ-HMX	Handline	Polyethylene	8.6" (21.8 cm)	15.62" (39.7 cm)	3.1 lb (1.4 kg)

**HANDLINE SERIES FOLDING PISTOL GRIP**

The full description of folding pistol grips can be found in the Folding Pistol Grip section.

MODEL	WHEN ORDERED WITH A NEW NOZZLE	LENGTH	WEIGHT
HM792-HKIT	HANDLINE - SERIES	8.50" (21.6 cm)	1.7 lb (0.8 kg)

**AUTOMATIC  
HANDLINE™ NOZZLE SERIES 2.5" (65 mm)**

With a wide flow range of 95-300 gpm @ 100 psi (360-1150 l/min @ 7 bar) or the low pressure version 95-250 gpm @ 75 psi (360-950 l/min @ 5 bar) allows the Handline to be used on many hose sizes, and this series is an excellent choice for 2.5" (65 mm) and 3" (75 mm) attack lines.

- Lightweight hardcoat anodized aluminum
- Flush without shutting down
- Molded rubber bumper with "power fog" teeth
- "Gasket Grabber" inlet screen
- Accepts FJ-H low expansion or FJ-HMX multi-expansion foam attachment



**With Pistol Grip  
H-2VPGI  
HL-2VPGI**

- 2.5" NH (65 mm) full-time swivel rocker lug coupling
- Stainless Steel slide valve with detent flow control
- Pistol grip mounted below the valve

MODEL	INLET	OPERATING PRESSURE	PISTOL GRIP	FOG TEETH	LENGTH	WEIGHT
H-2VPGI	2.5" NH (65 mm)	100 psi (7 bar)	Yes	Fixed Rubber	13.50" (34.3 cm)	7.0 lb (3.2 kg)
HL-2VPGI	2.5" NH (65 mm)	75 psi (5 bar)	Yes	Fixed Rubber	13.50" (34.3 cm)	7.0 lb (3.2 kg)
H-2VPGI-BICJ	2.5" BICM (65 mm)	100 psi (7 bar)	Yes	Fixed Rubber	16.53" (42.0 cm)	7.1 lb (3.2 kg)
HP-BLITZ-2.5	2.5" BSPF (65 mm)	190-1350 l/min @ 7 bar	No	Fixed Rubber	15.2" (38.6 cm)	9.5 lb (4.3 kg)



**HANDLINE FOAM ATTACHMENTS**

The full line of foam attachments can be found in the Foam Equipment section.

MODEL	FITS NOZZLE	FRONT END	DIAMETER	LENGTH	WEIGHT
FJ-H	Handline	Flexible Rubber	5.2" (13.2 cm)	8.50" (21.6 cm)	2.6 lb (1.2 kg)
FJ-HMX	Handline	Polyethylene	8.6" (21.8 cm)	15.62" (39.7 cm)	3.1 lb (1.4 kg)

**HANDLINE SERIES FOLDING PISTOL GRIP**

The full description of folding pistol grips can be found in the Folding Pistol Grip section.

MODEL	WHEN ORDERED WITH A NEW NOZZLE	LENGTH	WEIGHT
HM792-HKIT	HANDLINE - SERIES	8.50" (21.6 cm)	1.7 lb (0.8 kg)

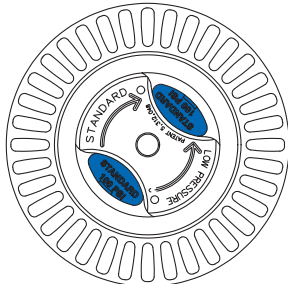
**AUTOMATIC**

**MID-FORCE™ DUAL PRESSURE NOZZLE SERIES 1.5" (38 mm)**

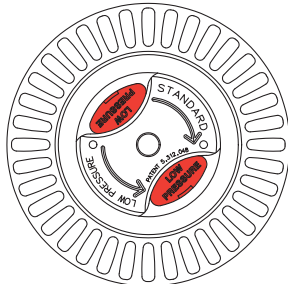
NFPA  
COMPLIANT

With a wide flow range of 70-200 gpm (260-760 l/min) @ 100/55 psi (7/4 bar) or the low pressure version of 75/45 psi (5/3 bar) the Mid-Force series can be used on 1.5" (38 mm), 1.75" (45 mm) and 2" (52 mm) hose. This nozzle is equipped with a low pressure override which allows the nozzle to achieve greater flows at lower nozzle pressures.

- Lightweight hardcoat anodized aluminum
- Flush without shutting down
- Molded rubber bumper with "power fog" or stainless steel spinning fog teeth
- "Gasket Grabber" inlet screen
- Accepts FJ-LX-HM or FJ-HM low expansion or FJ-MX-HM multi-expansion foam attachment



**Knob In Standard Pressure Mode**



**Knob In Low Pressure Mode**



**HMD-TO**

- 1.5" (38 mm) rigid rocker lug thread inlet
- Tip does not shut-off and must be used with a separate valve



**With Pistol Grip  
HMD-VPGI**

- 1.5" (38 mm) full-time swivel rocker lug thread inlet
- Stainless steel slide valve with detent flow control



**AUTOMATIC**

**MID-FORCE™ DUAL PRESSURE NOZZLE SERIES 1.5" (38 mm)**

MODEL	INLET	OPERATING PRESSURE	PISTOL GRIP	FOG TEETH	LENGTH	WEIGHT
HMD-TO	1.5" NH (38 mm)	100/55 psi (7/4 bar)	No	Fixed Rubber	7.20" (18.3 cm)	2.5 lb (1.1 kg)
HMD-VPGI	1.5" NH (38 mm)	100/55 psi (7/4 bar)	Yes	Fixed Rubber	11.50" (29.2 cm)	4.9 lb (2.2 kg)
HMP21-231	2.0" BSPM (52 mm)	100-400 l/min @ 6 bar	No	Fixed Rubber	14.60" (37.1 cm)	5.2 lb (2.4 kg)



**MID-FORCE FOAM ATTACHMENTS**

The full line of foam attachments can be found in the Foam Equipment section.

MODEL	FITS NOZZLE	FRONT END	DIAMETER	LENGTH	WEIGHT
FJ-HM	Mid-Force	Flexible Rubber	5.2" (13.2 cm)	8.50" (21.6 cm)	2.6 lb (1.2 kg)
FJ-LX-HM	Mid-Force	Polyethylene	5.8" (14.6 cm)	20.20" (51.3 cm)	3.0 lb (1.4 kg)
FJ-MX-HM	Mid-Force	Polypropylene	7.4" (18.8 cm)	15.40" (39.1 cm)	3.2 lb (1.5 kg)

**MID-FORCE SERIES FOLDING PISTOL GRIP**

The full description of folding pistol grips can be found in the Folding Pistol Grip section.

MODEL	WHEN ORDERED WITH A NEW NOZZLE	LENGTH	WEIGHT
HM792-HMKIT	MID-FORCE - SERIES	8.50" (21.6 cm)	1.7 lb (0.8 kg)

**AUTOMATIC**

**CAFS-FORCE™ 1 and CAFS-FORCE-2 1.5" (38 mm)**

The ONLY automatic nozzle designed specifically for Compressed Air Foam (CAFS) and water applications, CAFS-Force is engineered to provide optimal foam stream performance, as well as offering low pressure nozzle operations

when using water alone. The extruded aluminum alloy body shall be hardcoat anodized and nozzle shall have an automatic dual-pressure control that may be switched from standard low pressure (water application) to CAFS mode.



**HMDC-TO**

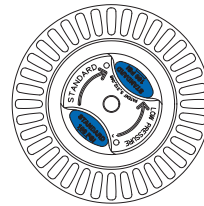
- CAFS-FORCE 1
- 1.5" NH (38 mm) rigid rocker lug coupling
- Molded rubber bumper with "power fog" teeth or stainless steel spinning teeth
- Flush without shutting down
- Requires a ball valve shut-off
- NFPA Compliant

MODEL	INLET	FLOW SETTINGS	COUPLING	LENGTH	WEIGHT
HMDC-TO	1.5" NH (38 mm)	70 - 200 gpm @ 75/45 psi (265 - 760 l/min @ 5/3 bar)	Rigid Rocker Lug	9.00" (22.9 cm)	6.6 lb (3.0 kg)

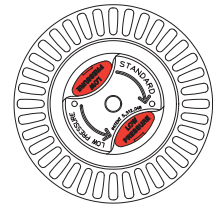
**AUTOMATIC**

**DUAL-FORCE® DUAL PRESSURE NOZZLE SERIES 1.5" (38 mm)**

The Dual-Force is all conventional handlines in one. With a wide flow range of 95-300 gpm @ 100/55 psi (360-1150 l/min @ 7/4 bar) or the low pressure version of 95-250 gpm @ 75/45 psi (360-950 l/min @ 5/3 bar) the Dual-Force series is an excellent choice for 1.5", 1.75", and 2.0" (38 mm, 45 mm and 52 mm) attack lines. This nozzle is equipped with a low pressure override knob which allows the nozzle to achieve greater flows at lower nozzle pressures.



**Knob In Standard Pressure Mode**



**Knob In Low Pressure Mode**



**HD-V With Pistol Grip  
HD-VPGI**

- 1.5" NH (38 mm) full-time swivel rocker lug coupling
- Stainless Steel slide valve with detent flow control
- Pistol grip mounted below the valve
- "Gasket Grabber" inlet screen



**HD-TO**

- 1.5" (38 mm) rigid rocker lug coupling
- Tip does not shut-off and must be used with a separate valve

MODEL	INLET	OPERATING PRESSURE	PISTOL GRIP	FOG TEETH	LENGTH	WEIGHT
HD-TO	1.5" NH (38 mm)	100/55 psi (7/4 bar)	No	Fixed Rubber	13.00" (33.0 cm)	7.0 lb (3.2 kg)
HD-V	1.5" NH (38 mm)	100/55 psi (7/4 bar)	No	Fixed Rubber	13.00" (33.0 cm)	7.0 lb (3.2 kg)
HD-VPGI	1.5" NH (38 mm)	100/55 psi (7/4 bar)	Yes	Fixed Rubber	13.00" (33.0 cm)	7.0 lb (3.2 kg)

**DUAL-FORCE FOAM ATTACHMENTS**

The full line of foam attachments can be found in the Foam Equipment section.



MODEL	FITS NOZZLE	FRONT END	DIAMETER	LENGTH	WEIGHT
FJ-H	Dual-Force	Flexible Rubber	5.2" (13.2 cm)	8.50" (21.6 cm)	2.6 lb (1.2 kg)
FJ-HMX	Dual-Force	Polyethylene	8.6" (21.8 cm)	15.62" (39.7 cm)	3.1 lb (1.4 kg)

**DUAL-FORCE SERIES FOLDING PISTOL GRIP**

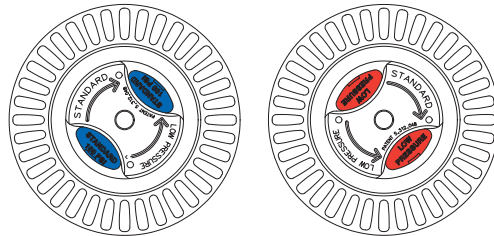
The full description of folding pistol grips can be found in the Folding Pistol Grip section.

MODEL	WHEN ORDERED WITH A NEW NOZZLE	LENGTH	WEIGHT
HM792-HKIT	DUAL-FORCE - SERIES	8.50" (21.6 cm)	1.7 lb (0.8 kg)

**AUTOMATIC**

**DUAL-FORCE® DUAL PRESSURE NOZZLE SERIES 2.5" (65 mm)**

With a wide flow range of 95-300 gpm @ 100/55 psi (360-1150 l/min @ 7/4 bar) or the low pressure version of 95-250 gpm @ 75/45 psi (360-950 l/min @ 5/3 bar) the Dual-Force series is an excellent choice for 2.5" and 3" (64 & 75 mm) attack lines. This nozzle is equipped with a low pressure override knob which allows the nozzle to achieve greater flows at lower nozzle pressures.



**Knob In Standard Pressure Mode**

**Knob In Low Pressure Mode**



**HD-2TO**

- 2.5" (65 mm) rigid rocker lug coupling
- Tip does not shut-off and must be used with a separate valve



**HD-2V With Pistol Grip HD-2VPGI**

- 2.5" (65 mm) Full-time swivel rocker lug coupling
- Stainless Steel slide valve with detent flow control
- Pistol grip mounted under valve

- Lightweight hardcoat anodized aluminum
- Flush without shutting down
- Molded rubber bumper with "power fog" teeth
- "Gasket Grabber" inlet screen
- Accepts FJ-H low expansion or FJ-HMX multi-expansion foam attachment

MODEL	INLET	OPERATING PRESSURE	PISTOL GRIP	FOG TEETH	LENGTH	WEIGHT
HD-2TO	2.5" NH (65 mm)	100/55 psi (7/4 bar)	No	Fixed Rubber	10.50" (26.7 cm)	6.0 lb (2.7 kg)
HD-2V	2.5" NH (65 mm)	100/55 psi (7/4 bar)	No	Fixed Rubber	13.50" (34.3 cm)	7.8 lb (3.5 kg)
HD-2VPGI	2.5" NH (65 mm)	100/55 psi (7/4 bar)	Yes	Fixed Rubber	13.50" (34.3 cm)	8.0 lb (3.6 kg)

**DUAL-FORCE FOAM ATTACHMENTS**

The full line of foam attachments can be found in the Foam Equipment section.



MODEL	FITS NOZZLE	FRONT END	DIAMETER	LENGTH	WEIGHT
FJ-H	Dual-Force	Flexible Rubber	5.2" (13.2 cm)	8.50" (21.6 cm)	2.6 lb (1.2 kg)
FJ-HMX	Dual-Force	Polyethylene	8.6" (21.8 cm)	15.62" (39.7 cm)	3.1 lb (1.4 kg)

**DUAL-FORCE SERIES FOLDING PISTOL GRIP**

The full description of folding pistol grips can be found in the Folding Pistol Grip section.

MODEL	WHEN ORDERED WITH A NEW NOZZLE	LENGTH	WEIGHT
HM792-HKIT	DUAL-FORCE - SERIES	8.50" (21.6 cm)	1.7 lb (0.8 kg)


**SPECIALTY NOZZLES**

**DRY-CHEM AND DUAL AGENT NOZZLE SERIES**

The Dry Chemical nozzle is designed for an application rate of 5 pounds per second (2.3 kg/sec), utilizes the same slide-valve design as used for water application and a special front end designed for dry chemicals. Effective reach of the cloud is 75 feet (23 m) at full flow and proportionately less at the six partial valve settings.


The Dual Agent nozzle adds the B-BH Ultimatic nozzle with a flow range of 10-125 gpm @ 100 psi (40-500 l/min @ 7 bar) capable of straight stream to wide fog and accepts the FJ-U Foamjet attachment.

Dual Agent nozzles are mounted on one pistol grip for ease of use.



**BTFT-DC5  
BTFT-DC5-ND**

- 1.0" (25 mm) swivel inlet
- Six valve settings for flowing appropriate dry chemical agent
- Special front end includes the valve seat and a set of straightening fins
- No adjustment of pattern shape
- Tethered cap keeps out debris



**B-DUAL  
B-DUAL-ND**

- 1.0" (25 mm) swivel inlets
- Six detent valve settings on both nozzles
- Dry chemical special front end includes the valve seat and a set of straightening fins
- Ultimatic is fully automatic pressure control and accepts FJ-U Foamjet attachment

MODEL	INLET(S)	FLOW RANGE	PISTOL GRIP	FOG TEETH	LENGTH	WEIGHT
BTFT-DC5	1.0" NPT (25 mm)	5 lbs / sec	Yes	No	8.00" (20.3 cm)	2.1 lb (1.0 kg)
BTFT-DC5-ND	1.0" NH (25 mm)	5 lbs / sec	Yes	No	8.00" (20.3 cm)	2.1 lb (1.0 kg)
B-DUAL	1.0" NPT (25 mm)	10-125 gpm (40-500 l/min) @ 100 psi (7 bar)	Yes	Fixed Rubber	9.00" (22.9 cm)	3.0 lb (1.4 kg)
B-DUAL-ND	1.0" NH (25 mm)	10-125 gpm (40-500 l/min) @ 100 psi (7 bar)	Yes	Fixed Rubber	9.00" (22.9 cm)	3.0 lb (1.4 kg)



# FOAM EQUIPMENT

Firefighting foam continues to be an effective tool for a variety response scenarios. TFT manufactures a wide range of eductors, nozzles and attachments, and portable proportioning systems for Class A and B foams along with CAFS applications. Our in-line eductors provide best in class reliability due to a unique design that makes cleaning and flushing a push of a button. And our nozzle attachments work well with low, medium and high expansion foams.

**IN-LINE FOAM EDUCTOR SERIES**

**60, 95 & 125 Gpm and 225 & 450 L/min**

In-line Foam Eductors have a metering head with easy to read knob for use with Class A foam at .25% and .5% and with Class B foam at 1%, 3% and 6%. Your choice of extra large 36" (91 cm) pickup hose with stainless steel wand or direct truck connect pickup hose are ideal for use with high viscosity foams. The required inlet pressure is 200 psi for imperial models and either 10 or 11 bar for metric models.

- Flush button for fast cleaning
- Removable metering head
- Hardcoat anodized for corrosion protection
- Maximum allowable back pressure is 130 psi (8.9 bar)

**60 Gpm**

**UE-060-NF**

- 1.5" (38 mm) female swivel inlet
- 1.5" (38 mm) male outlet



**225 L/min**

**UEM-225-BFBF**

- 38 mm BSP (1.5") inlet
- 38 mm BSP (1.5") inlet

**UEP-225-BHBH**

- 52 mm BSPM (2.0")
- 52 mm BSPM (2.0")



**95 Gpm**

**UE-095-NF**

- 1.5" (38 mm) female swivel inlet
- 1.5" (38 mm) male outlet

**UE-095-NJ-NF**

- 2.5" (65 mm) female swivel inlet
- 1.5" (38 mm) male outlet



**125 Gpm**

**UE-125-NF**

- 1.5" (38 mm) female swivel inlet
- 1.5" (38 mm) male outlet

**UE-125-NJ-NF**

- 2.5" (65 mm) female swivel inlet
- 1.5" (38 mm) male outlet



MODEL NUMBER	THREADS		INLET COUPLING	FLOW RATE @ INLET PRESSURE	FOAM MIX RATIO SETTINGS %	PICKUP HOSE		WEIGHT
	INLET FEMALE	OUTLET MALE				LENGTH / ID	END SIZE / STYLE	
UE-060-NF	1.5" NH (38 mm)	1.5" NH (38 mm)	Full-time Swivel Rocker Lug	60 gpm @ 200 psi (227 l/min @ 13.8 bar)	0.25, 0.5, 1, 3, 6	36" (91 cm) 1" (25 mm)	17" (43 cm) Stainless Steel Wand	4.5 lb (2.0 kg)
UE-095-NF	1.5" NH (38 mm)	1.5" NH (38 mm)	Full-time Swivel Rocker Lug	95 gpm @ 200 psi (360 l/min @ 13.8 bar)	0.25, 0.5, 1, 3, 6	36" (91 cm) 1" (25 mm)	17" (43 cm) Stainless Steel Wand	4.5 lb (2.0 kg)
UE-095-NJ-NF	2.5" NH (65 mm)	1.5" NH (38 mm)	Full-time Swivel Rocker Lug	95 gpm @ 200 psi (360 l/min @ 13.8 bar)	0.25, 0.5, 1, 3, 6	36" (91 cm) 1" (25 mm)	17" (43 cm) Stainless Steel Wand	5.0 lb (2.3 kg)
UE-125-NF	1.5" NH (38 mm)	1.5" NH (38 mm)	Fulltime Swivel Rocker Lug	125 gpm @ 200 psi (473 l/min @ 13.8 bar)	0.25, 0.5, 1, 3, 6	36" (91 cm) 1" (25 mm)	17" (43 cm) Stainless Steel Wand	4.7 lb (2.1 kg)
UE-125-NJ-NF	2.5" NH (65 mm)	1.5" NH (38 mm)	Fulltime Swivel Rocker Lug	125 gpm @ 200 psi (473 l/min @ 13.8 bar)	0.25, 0.5, 1, 3, 6	36" (91 cm) 1" (25 mm)	17" (43 cm) Stainless Steel Wand	5.0 lb (2.3 kg)
UEM-225-BFBF	38 mm BSPF (1.5")	38 mm BSPM (1.5")	Knurled Extended Swivel	225 l/min @ 11 bar	0.25, 0.5, 1, 3, 6	91 cm (36") 25 mm (1")	43 cm (17") Stainless Steel Wand	2.5 kg (5.5 lb)
UEP-225-BHBH	52 mm BSPM (2.0")	52 mm BSPM (2.0")	Male Thread Swivel	225 l/min @10 bar	0.25, 0.5, 1, 3, 6	91 cm (36") 25 mm (1")	43 cm (17") Stainless Steel Wand	2.9 kg (6.5 lb)

**IN-LINE FOAM EDUCTOR SERIES**  
**250 & 350 Gpm and 1000 & 1500 L/min**

250 & 350 gpm in-line foam eductors have a metering head with easy to read knob for use with Class A foam at .5% and with Class B foam at 1%, 3% and 6%. Large 8' (2.4 m) long industrial grade, clear pickup hose is ideal for use with high viscosity foams. Easy to read Go/NoGo gauge on outlet shows back pressure on eductor in PSI and BAR.

- Flush button for fast cleaning
- Removable metering head
- Hardcoat anodized for corrosion protection
- 1" (25 mm) male cam lock on metering head



**350 Gpm**

**UE-350-NJ**

- UE-350-NJ inlet pressure is 200 psi (13.8 bar)
- Maximum allowable back pressure is 130 psi (8.9 bar)
- 1" (25mm) Cam Lock / Notched hose end

MODEL NUMBER	THREADS		INLET COUPLING	FLOW RATE @ INLET PRESSURE	FOAM MIX RATIO SETTINGS %	PICKUP HOSE		WEIGHT
	INLET FEMALE	OUTLET MALE				LENGTH/ ID	END SIZE/ STYLE	
UE-350-NJ	2.5" NH (65 mm)	2.5" NH (65 mm)	Full-time Swivel Rocker Lug	350 gpm @ 200 psi (1325 l/min @ 13.8 bar)	0.5, 1, 3, 6	8' (2.4 m) 1.25" (32 mm)	1" (25 mm) Cam Lock / Notched hose end	15.0 lb (6.8 kg)



**UE950**

MODEL NUMBER	DESCRIPTION	WEIGHT
UE950	1.0" (25 mm) Single cam lock connection on 1.25" x 8' (32 mm x 2.4 m) long black hose. Flexible at low temperatures and UV resistant.	3.5 lb (1.6 kg)

**LOW EXPANSION FOAM ATTACHMENT**

**FOAMJET™**

Make your TFT nozzle a high performance foam nozzle with the FOAMJET air-aspirating attachment. Simple, rugged and dependable, the FOAMJET can be quickly attached to your TFT nozzle. The FOAMJET provides superior foam-making ability with most foam concentrates. When used with AFFF and Class A foams, the FOAMJET can develop expansion ratios of 6:1. This thick foam blanket has better extinguishing ability and is

longer lasting than foam from non-aspirated nozzles. The attachment can be easily removed in seconds for a water-only or non-aspirated stream. FOAMJET is used in straight stream position only.

Constructed of molded rubber, stainless steel, and lightweight nickel plated aluminum.



**FJ-U**

**FJ-HM  
FJ-H**

MODEL	FITS NOZZLE	FRONT END	LENGTH	WEIGHT
FJ-U	Ultimatic	Flexible Rubber	6.50" (16.5 cm)	1.2 lb (0.5 kg)
FJ-HM	Mid-Matic, Mid-Force, Metro 1 & Working Fire	Flexible Rubber	8.50" (21.6 cm)	2.6 lb (1.2 kg)
FJ-H	Handline, Dual-Force, & Metro 2	Flexible Rubber	8.87" (22.5 cm)	2.6 lb (1.2 kg)

**FOAMJET™ LX**

The FOAMJET-LX is a lightweight, low-expansion foam-making, air-aspirating attachment. Simple, rugged and dependable, the FOAMJET-LX can be quickly attached and provides superior foam-making ability with most foam concentrates. When used with AFFF and Class A Foams, the FOAMJET-LX can develop a thick foam blanket which has better extinguishing ability and

is longer lasting than foam from non-aspirating nozzles. The FOAMJET-LX can easily be removed in seconds for a water-only or non-aspirated stream. It is constructed of durable UV stabilized polyethylene, stainless steel, and aluminum. FOAMJET-LX is used in straight stream position only.



**FJ-LX-FQ  
FJ-LX-HM**

MODEL	FITS NOZZLE	LENGTH	WEIGHT
FJ-LX-FQ	QuadraFog 1.5" (38 mm)	20.20" (51.3 cm)	3.0 lb (1.4 kg)
FJ-LX-HM	Mid-Matic, Mid-Force, Metro 1 & Working Fire	20.20" (51.3 cm)	3.0 lb (1.4 kg)

**MX FOAMJET™ and FOAMJET™ LX FOR MASTER STREAM NOZZLES**

The MX-FOAMJET & FOAMJET-LX for Master Stream Nozzles are lightweight, low & multi expansion foam-making, air-aspirating attachments. Simple, rugged and dependable, the MX-FOAMJET & FOAMJET-LX can be quickly attached and provide superior foam-making ability with most foam concentrates. When used with AFFF and Class A Foams, the MX-FOAMJET & FOAMJET-LX can develop a thick low and

multi-expansion foam blanket which has better extinguishing ability and is longer lasting than foam from non-aspirating nozzles. The MX-FOAMJET & FOAMJET-LX can easily be removed in seconds for a water-only or non-aspirated stream. Rotating the MX-FOAMJET gives you the unique ability to vary the expansion ratio and stream reach of the finished foam. FOAMJET-LX is used in straight stream position only.



**FJ-MX-MD**

**FJ-LX-M**

MODEL	FITS NOZZLE	LENGTH	WEIGHT
FJ-MX-MD	Max-Series and ZN Series Industrial Nozzle	16.20" (41.1 cm)	4.6 lb (2.1 kg)
FJ-LX-M	Master Force, Master Stream 1000 & 1250S and Master Foam 250-750 gpm	25.30" (64.3 cm)	6.4 lb (2.9 kg)

Constructed of durable UV stabilized polyethylene and aluminum



**MULTI EXPANSION FOAM ATTACHMENT  
MX FOAMJET™**

The MX-FOAMJET is a simple to attach, lightweight multi-expansion foam-making attachment for your Task Force Tips nozzle. The MX-FOAMJET has the unique ability to vary the expansion ratio and the stream reach of the finished foam.

Foam expansion and reach can be controlled by varying the stream pattern of the nozzle. The ability to regulate the reach and expansion ratio is unique to the MX-FOAMJET. It can be easily removed in seconds for a water-only or non-aspirated stream.



MODEL	FITS NOZZLE	DIAMETER	LENGTH	WEIGHT
FJ-MX-D	Twister 1" (25 mm) Series	5.2" (13.0 cm)	10.60" (26.9 cm)	1.4 lb (0.6 kg)
FJ-MX-DQ	Quadrafog 1" (25 mm) Series	7.4" (18.8 cm)	12.60" (32.0 cm)	2.2 lb (1.0 kg)
FJ-MX-F	Twister 1.5" (38 mm) series	7.4" (18.8 cm)	12.60" (32.0 cm)	2.2 lb (1.0 kg)
FJ-MX-FQ	Quadrafog 1.5" (38 mm) Series	7.4" (18.8 cm)	15.20" (38.6 cm)	3.3 lb (1.5 kg)
FJ-MX-FT	ThunderFog Series	8.6" (21.8 cm)	17.00" (43.2 cm)	5.2 lb (2.4 kg)
FJ-MX-HM	Mid-Force, Mid-Matic, Metro 1 & Working Fire Series	7.4" (18.8 cm)	15.40" (39.1 cm)	3.2 lb (1.5 kg)
FJ-HMX	Handline, Dual-Force & Metro 2 Series	8.6" (21.8 cm)	15.62" (39.7 cm)	3.1 lb (1.4 kg)

*FJ-MX-D, FJ-MX-FT, FJ-MX-HM, FJ-UMX and FJ-HMX constructed from durable UV stabilized polyethylene and hardcoat anodized aluminum.*

*FJ-MX-DQ, FJ-MX-F and FJ-MX-FQ constructed from durable UV stabilized polypropylene and hardcoat anodized aluminum.*

**Fixed Gpm Self-Educting Foam Nozzles**  
**MASTER FOAM™**

This fixed gallonage fog nozzle is available with your choice of 250, 350, 500 or 750 gpm @ 100 psi (950, 1300, 2000, 3000 l/min @ 7 bar). Fog angle is user adjustable between 90° wide fog and straight stream. The nozzle's baffle is easily removed for flushing debris. The simple flow geometry can educt foam concentrate at .5%, 1%, 3%, or 6% with no small passages to clog. Percentage is easily set with

an interchangeable orifice plate. A set of calibrated foam orifice plates is included. Nozzle comes with an industrial grade UV resistant, 10 feet long, 1.5" diameter (3 m x 38 mm) concentrate hose with two cam lock fittings for quick and secure attachment to the nozzle. The simple and basic design requires no grease or other maintenance.



**ZMF\***

- Stream shaper and body are hardcoat anodized aluminum
- Rubber bumper is UV resistant
- Accepts the FJ-LX-M FOAMJET low expansion air-aspirating attachment
- Z621 1.5" Cam lock dust cap is included
- Z625A Supply hose is included



**Z625A**  
**7.0 lb (3.2 kg)**

**Supply Hose:** 1.5" (38 mm) Cam lock x 2.0" (52 mm) Cam lock. 1.5" dia. x 10 feet (38 mm x 3 m) long black concentrate hose, industrial grade, UV resistant

MODEL	THREADS	FLOW	LENGTH	WEIGHT
ZMF10A	2.5"-7.5 NH (65 mm) Female	250 gpm @ 100 psi (950 l/min @ 7 bar) K-factor = 25	10.50" (26.7 cm)	7.3 lb (3.3 kg)
ZMF11A	2.5"-7.5 NH (65 mm) NH Female	350 gpm @ 100 psi (1300 l/min @ 7 bar) K-factor = 35	10.50" (26.7 cm)	7.3 lb (3.3 kg)
ZMF12A	2.5"-7.5 NH (65 mm) Female	500 gpm @ 100 psi (2000 l/min @ 7 bar) K-factor = 50	10.50" (26.7 cm)	7.3 lb (3.3 kg)
ZMF13A	2.5"-7.5 NH (65 mm) Female	750 gpm @ 100 psi (3000 l/min @ 7 bar) K-factor = 75	10.50" (26.7 cm)	7.3 lb (3.3 kg)



**FIXED MONITOR FOAM ATTACHMENT**

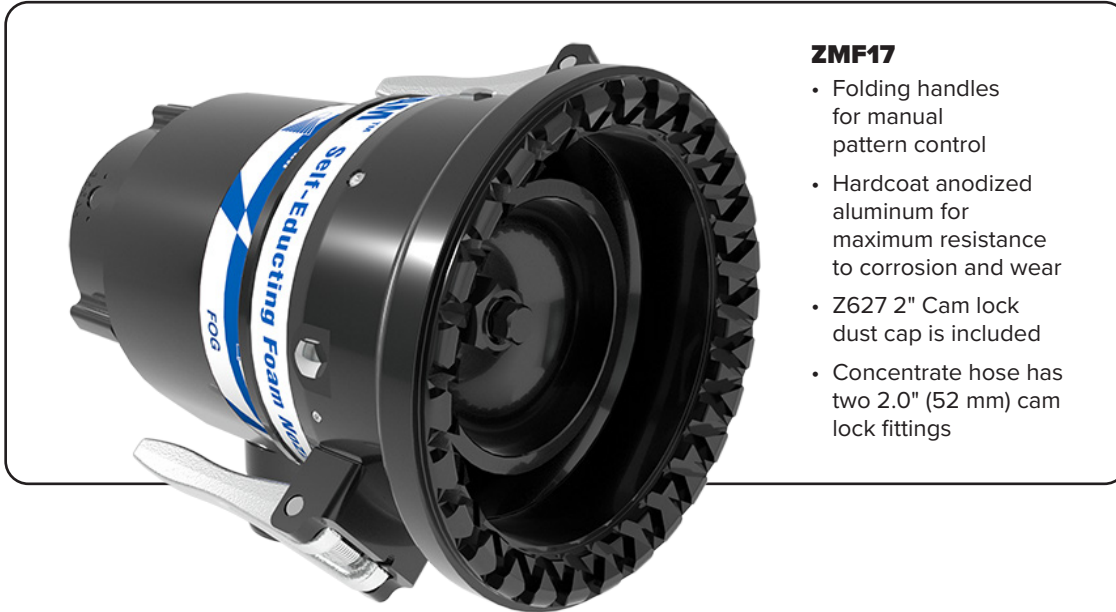
The full line of foam attachments can be found in the Foam Equipment section.

MODEL	FITS NOZZLE	LENGTH	WEIGHT
FJ-LX-M	Master Foam	25.30" (64.3 cm)	6.4 lb (2.9 kg)

**Fixed Gpm Self-Educting Foam Nozzles**  
**MASTER FOAM™**

This fixed gallonage foam nozzle is available with your choice of 1000, 1250, 1500 or 2000 gpm @ 100 psi (3800, 4800, 5700 or 7700 l/min @ 7 bar). Fog angle is user adjustable between 90° wide fog and straight stream. The nozzle's baffle is easily removed for flushing debris. The simple flow geometry can educt foam concentrate at 1% or 3% with no small passages to

clog. A set of calibrated foam orifice plates is included. Nozzle comes with a black industrial grade UV resistant, 10 feet long, 2" diameter (3 m x 52 mm) concentrate hose with two cam lock fittings for quick and secure attachment to the nozzle and foam supply. The simple and basic design requires no grease or other maintenance.



**ZMF17**

- Folding handles for manual pattern control
- Hardcoat anodized aluminum for maximum resistance to corrosion and wear
- Z627 2" Cam lock dust cap is included
- Concentrate hose has two 2.0" (52 mm) cam lock fittings

MODEL	THREADS	FLOW	LENGTH	WEIGHT
<b>1500 or 2000 gpm (5700 or 7700 l/min) Self-Educting Foam Nozzles</b>				
ZMF17	3.5"-6 NH (90 mm) NH Coupling	2000 gpm @ 100 psi (7700 l/min @ 7 bar) K-factor = 200	11.38" (28.9 cm)	24.8 lbs (11.2 kg)





# PORTABLE MONITORS & WATER CANNONS

You have more attack monitor choices now than ever before. It might be overwhelming trying to match monitor models to your ideal target flows, attack angles, safety needs, and fireground crew availability.

As the leader in portable monitors and water cannons, we offer you unsurpassed safety and performance with thousands of devices in service on virtually every continent. This section aims to answer your most common questions so you can make the best decisions for your operation.



## Blitzfire®

With Blitzfire your attack monitor operations will set the standard for excellence amongst departments worldwide. You can choose from various options that include oscillation and high elevation. Your fireground safety is critical so, your monitor will include an integrated shutoff valve that, when activated, minimizes the effect of water hammer. With a 10° low elevation and 86° high elevation range of motion you have the flexibility to reach basements, attics, and everything in-between with confidence.



## Blitztac™

This compact portable monitor turns one firefighter with one hose into an aggressive 500 Gpm (2000 L/min) first responding force. Once set, your monitor can be manually regulated or used in an unattended manner for exposure protection or full flow attack. The patent pending integrated safety inlet protects your crew from unintended monitor movement. It's also fully certified to NFPA 1964 and EN15767-1.



## Blitzforce™

When you need an affordable, compact, and trustworthy monitor, the Blitzforce is might be your best choice. With a 500 Gpm (2000 L/min) capability and lightweight stowable form factor, you'll easily accomplish your flow targets while taking up minimal space in your truck compartments. At this price point your Blitzforce monitor will not include advanced options like a safety shutoff or high elevation capability.



## Crossfire®

Your lightweight and incredibly versatile master stream attack monitor option. Crossfire can be connected to either a portable base or directly to your truck.

With a flow rating of 1250 Gpm (4500 L/min) in portable operation, the Crossfire monitor integrates an exclusive Safe-Tak safety shutoff system to prevent unintentional movement and keep your crew safe.

# Model Comparison

Model	Flow Rate	Attack Angle	Horizontal Movement	Oscillation	Safety
<b>Blitzforce</b>	Up to 500 Gpm 2000 L/min	30° - 60° Unassisted 20° - 60° Assisted	40° Sweep	NO	Spikes & Strap
<b>Blitzforce OSC</b>	Up to 500 Gpm 2000 L/min	30° - 60° Unassisted 20° - 60° Assisted	40° Sweep	YES	Spikes & Strap
<b>Blitztac</b>	Up to 500 Gpm 2000 L/min	25° - 50° Unassisted 10° - 50° Assisted	40° Sweep	NO	Spikes, Strap, & Safety Gating Inlet
<b>Blitzfire</b>	Up to 500 Gpm 2000 L/min	10° - 46° Unassisted	40° Sweep	NO	Spikes, Strap, & Safety Shut-Off Valve
<b>Blitzfire OSC</b>	Up to 500 Gpm 2000 L/min	10° - 46° Unassisted	40° Sweep	YES	Spikes, Strap, & Safety Shut-Off Valve
<b>Blitzfire HE</b>	Up to 500 Gpm 2000 L/min	10° - 86° Unassisted	40° Sweep	NO	Spikes, Strap, & Safety Shut-Off Valve
<b>Blitzfire HE &amp; OSC</b>	Up to 500 Gpm 2000 L/min	10° - 86° Unassisted	40° Sweep	YES	Spikes, Strap, & Safety Shut-Off Valve
<b>Crossfire</b>	Up to 1250 Gpm 4750 L/min	35° - 90° Portable -45° - 90° Fixed	Portable ~180° Fixed 360°	YES	Spikes, Strap, Safe-Tak Base & Valve System



# Model Comparison

Model	Weight & Stowed Dimensions (L × W × H)	Nozzle Options	Available Accessories
<b>Blitzforce</b>	Folded Legs 15 lb — 14.8" × 9.0" × 9.4" 6.8 kg — 375 mm × 230 mm × 240 mm	Stacked Tips, Vortex, Combination (Fixed or Automatic)	Foam Attachments, Storage Brackets
<b>Blitzforce OSC</b>	Folded Legs 15 lb — 14.8" × 9.0" × 9.4" 6.8 kg — 375 mm × 230 mm × 240 mm	Stacked Tips, Vortex, Combination (Fixed or Automatic)	Stream Straightener, Foam Attachments, Storage Brackets
<b>Blitztac</b>	Folded Legs 15 lb — 14.8" × 9.0" × 9.4" 6.8 kg — 375 mm × 230 mm × 240 mm	Stacked Tips, Vortex, Combination (Fixed or Automatic)	Foam Attachments, Storage Brackets
<b>Blitzfire</b>	Folded Legs 15 lb — 14.8" × 9.0" × 9.4" 6.8 kg — 375 mm × 230 mm × 240 mm	Stacked Tips, Vortex, Combination (Fixed or Automatic)	Foam Attachments, Storage Brackets
<b>Blitzfire OSC</b>	Folded Legs 15 lb — 14.8" × 9.0" × 9.4" 6.8 kg — 375 mm × 230 mm × 240 mm	Stacked Tips, Vortex, Combination (Fixed or Automatic)	Foam Attachments, Storage Brackets
<b>Blitzfire HE</b>	Folded Legs 15 lb — 14.8" × 9.0" × 9.4" 6.8 kg — 375 mm × 230 mm × 240 mm	Stacked Tips, Vortex, Combination (Fixed or Automatic)	Stream Straightener, Foam Attachments, Storage Brackets
<b>Blitzfire HE &amp; OSC</b>	Folded Legs 15 lb — 14.8" × 9.0" × 9.4" 6.8 kg — 375 mm × 230 mm × 240 mm	Stacked Tips, Vortex, Combination (Fixed or Automatic)	Foam Attachments, Storage Brackets
<b>Crossfire</b>	MTR: 17 lb — 20" × 14.5" × 14" MTR Safe-Tak: 24 lb — 20" × 9" × 9" Safe-Tak MTR : 6.7 kg — 508 mm × 368 mm × 355 mm Safe-Tak: 10.9 kg — 508 mm × 368 mm × 355 mm Safe-Tak	Stacked Tips, Vortex, Combination (Fixed or Automatic)	Foam Attachments, Storage Brackets, Extend-A-Gun, Single and Dual Inlet Safe-Tak Base

**Portable Monitor with Safety Gating Inlet  
BLITZTAC™**



Meets NFPA 1964 and EN 15767-1 certifications.

The BLITZTAC is one of Task Force Tips' innovative, lightweight, and highly versatile portable attack monitors. Rated up to 500 gpm (2000 l/min), BLITZTAC integrates a low loss waterway with positive locking valve control, and a corrosion resistant anodized and powder coat finish, while providing a simple easy to reset safety gating device. If the BLITZTAC starts to slide or lift, the safety gating inlet will automatically reduce the flow of water. To reset, simply close the valve to stop water flow and position the monitor back into the full flow position. The discharge pivots make directing the stream extremely quick

and effortless. With an integral stream shaper for superior reach and penetration performance, the BLITZTAC delivers a 20° side to side range (40° total) and an elevation range of 25° to 50° in unmanned mode, or a low 10° angle when manned. The low elevation angle makes it suitable for use indoors. An angled inlet on the hose inlet provides a smooth transition from the hose to the monitor for increased stability. Folding legs have replaceable carbide tipped spikes. An anchor strap with storage bag is included for safe operation.



■ **XXB111A**  
 ■ **XXB132A**  
**19.2 lb (8.7 kg)**  
**20.7 L" X 8.6" W X 8.3" H**  
**(52.6 x 21.8 x 21.0 cm) (stowed)**

- Flows up to 500 gpm (2000 l/min)
- Body is hardcoat anodized aluminum
- Blue TFT powder coat finish inside and out
- Positive locking valve control
- Elevation range of 25 ° to 50° in unmanned mode, and to a low 10° manned
- Horizontal rotation is manually adjustable 20° either side of center
- Outlet has built-in stream shaper
- Standard inlet is 2.5" (65 mm) swivel rocker lug coupling.
- Standard outlet is 2.5" (65 mm) rigid male threads
- Anchor strap with storage bag included



**XXB-B**  
**3.3 lb**  
**(1.49 kg)**

- Stainless steel and hardcoat aluminum
- Can be mounted for rapid deployment of a pre-connected BLITZTAC.
- Mounts on any accessible vertical or horizontal surface.
- 19.5" L x 8.3" W x 3.5" H (49.5 x 21.1 x 8.9 cm)

MODEL	DESCRIPTION
XXB111A	2.5" NHF INLET x 2.5" NHM OUTLET
XXB132A	2.5" BSPF INLET x 2.5" BSPM OUTLET

**BLITZTAC Portable Monitor  
Nozzles, Foam Attachments,  
Accessories and Packages on  
the next pages.**

**MASTER STREAM NOZZLES FOR PORTABLE MONITORS**

The full line of Master Stream Nozzles can be found in the Master Stream Nozzles Manual section.



MODEL	TYPE	INLET	COUPLING	FLOW	LENGTH	WEIGHT
MD12A	Max-Force Dual Pressure	2.5" NH (65 mm)	Rigid Rocker Lug	100-500 gpm (400-2000 l/min) 100 psi (7 bar) / 55 psi (4 bar)	9.00" (22.9 cm)	6.7 lb (3.0 kg)
MD18A	Max-Matic Automatic	2.5" NH (65 mm)	Rigid Rocker Lug	100-500 gpm (400-2000 l/min) 100 psi (7 bar)	9.00" (22.9 cm)	6.5 lb (2.9 kg)
MD17A	Max-Matic Automatic	2.5" NH (65 mm)	Rigid Rocker Lug	100-500 gpm (400-2000 l/min) 80 psi (6 bar)	9.00" (22.9 cm)	6.5 lb (2.9 kg)
MD14A	Max-Flow Fixed Gallonage	2.5" NH (65 mm)	Rigid Rocker Lug	500 gpm (2000 l/min) 100 psi (7 bar)	9.00" (22.9 cm)	6.5 lb (2.9 kg)
MD22A	Max-Force Dual Pressure	2.5" BSP (65 mm)	Rigid Rocker Lug	100-500 gpm (400-2000 l/min) 100 psi (7 bar)/55 psi (4 bar)	9.00" (22.9 cm)	6.7 lb (3.0 kg)

**Frequently Purchased BLITZTAC Portable Monitor Nozzles, Foam Attachments and Accessories**



**PORTABLE MONITOR FOAM ATTACHMENT**

The full line of foam attachments can be found in the Foam Equipment section.

MODEL	FITS NOZZLE	LENGTH	WEIGHT
FJ-MX-MD	Max-Series and ZN Series Industrial Nozzles	16.20" (41.1 cm)	4.6 lb (2.1 kg)



**VORTEX FOR PORTABLE MONITORS**

The full line of Vortex can be found in the Master Stream Nozzles Manual section.

MODEL	INLET	OUTLET	OPERATING SYSTEM	MAXIMUM PRESSURE	FLOW	LENGTH	WEIGHT
SVJ-NJNJ	2.5" NH (65 mm)	2.5" NH (65 mm)	MANUAL	300 psi (21 bar)	Up to 1250 gpm (up to 4500 l/min)	8.4" (21.3 cm)	5.5 lb (2.5 kg)



**SMOOTHBORE TIPS FOR PORTABLE MONITORS**

The full line of Smoothbore Tips can be found in the Master Stream Nozzles Manual section.

MODEL	INLET FEMALE	ORIFICE	LENGTH	WEIGHT
JSST10	2.5" NH (65 mm)	1-1/8" (29 mm) bore to 1.5" (38 mm) threaded male outlet	5.90" (15.0 cm)	1.8 lb (0.8 kg)
JSST11	2.5" NH (65 mm)	1-1/4" (32 mm) bore to 1.5" (38 mm) threaded male outlet	5.90" (15.0 cm)	1.8 lb (0.8 kg)
JSSTP-NF	1.5" NH (38 mm)	Smoothbore thread protector	0.88" (2.2 cm)	0.1 lb (0.1 kg)
JSS10	2.5" NH (65 mm)	1-1/8" (29 mm)	7.91" (20.1 cm)	1.6 lb (0.7 kg)
JSS11	2.5" NH (65 mm)	1-1/4" (32 mm)	7.93" (20.1 cm)	1.8 lb (0.8 kg)
MST-2NJ	2.5" NH (65 mm)	1-1/4", 1-1/8", and 1" (32 mm, 29 mm, and 25 mm)	9.63" (24.5 cm)	2.1 lb (1.0 kg)
MST-3NJ	2.5" NH (65 mm)	1-1/2", 1-1/4", and 1" (38, 32 and 25 mm)	11.80" (30.0 cm)	2.3 lb (1.0 kg)
MST-5NJ	2.5" NH (65 mm)	1-3/4", 1-1/2", and 1-3/8" (45 mm, 38 mm, and 35 mm)	11.70" (29.7 cm)	3.0 lb (1.4 kg)

**BLITZTAC™ Packages**

BLITZTAC PACKAGE MODEL	BLITZTAC MONITOR	NOZZLE	ACCESSORY
XXBC-32-NH1	XXB111A BLITZTAC 2.5" NHF INLET 2.5" NHM OUTLET	MD12A MAX-FORCE TIP 2.5" FEMALE	XXB-B STORAGE BRACKET - BLITZTAC
XXBC-42-NH1	XXB111A BLITZTAC 2.5" NHF INLET 2.5" NHM OUTLET	MST-5NJ STACKED TIPS 2.5" FEMALE	XXB-B STORAGE BRACKET - BLITZTAC

**PORTABLE LIGHTWEIGHT ATTACK MONITOR**

**BLITZFORCE™**



**BlitzForce Lightweight Portable Attack Monitor**

The BlitzForce is one of Task Force Tips' innovative, lightweight, and highly versatile portable attack monitors. Rated up to 500 gpm (1,890 l/min), BlitzForce integrates a low loss waterway with positive locking valve control, and a corrosion resistant anodized and powder coat finish. An exclusive high strength tie-down strap and carbide tipped folding legs offer extreme stability in varying fire environments. With an integral stream shaper for superior reach and penetration performance, the BlitzForce delivers a 20° side to side (40° total) and a 20° to 60° up and down range of stream motion. A five year warranty, stainless steel apparatus mounting bracket, and your choice of combination nozzle or stacked tips are standard.

**Small, Lightweight and Compact Design**

Weighing just 14.5 lbs. (6.6 kg), the BlitzForce stores securely for a rapid deployment in a space of only 19" x 9" x 12", (48 x 23 x 30 cm) and a ground hugging 26" (66 cm) wide when deployed for initial attack.

**High Flow, Low Loss Waterway**

Full flow 2" (52 mm) waterway provides 500 gpm (1,890 l/min) initial attack flows with only 8 psi (0.5 bar) loss. A removable internal stream straightener is standard, and the valve design provides positive locking in the closed position.

**Optional Oscillation**

The BlitzForce OSC monitor features a water driven turbine that when engaged, allows the nozzle to automatically sweep 10°, 15°, or 20° either side of center. The simple to use oscillating mechanism can be disengaged allowing manual horizontal rotation.

**Maximum Stability in Harsh Conditions**

High strength folding aluminum alloy legs include replaceable carbide tip spikes and integrated nylon kneepads for maximum stability during operation. The BlitzForce also incorporates an exclusive, quickly deployed, high strength tie down strap to prevent unintentional monitor movement.

**High Performance Fire Streams Flexibility**

With horizontal rotation of 20° either side of center, and an elevation range 30° to 60° in unassisted mode, or a low 20° angle when assisted, the BlitzForce provides amazing operational versatility. Each monitor package comes with a choice of a combination nozzle, or triple stacked tips 1", 1 ¼", and 1.5" (25, 32, 38 mm) with laser engraved flow charts.

**Rugged Durability**

Each monitor is produced from hardcoat anodized aluminum alloy, stainless steel, and is powder coated for maximum corrosion and abrasion resistance. Permanent laser engraved operational instructions, reflective labeling, unique product serialization, and a stainless apparatus mounting bracket are all standard.



**BLITZFORCE™ Portable Monitor Packages**

BLITZFORCE PACKAGE MODEL	BLITZFORCE MONITOR	NOZZLE	ACCESSORY
XXLG-32-CN1	XXL171A-CN BLITZFORCE 80 MM CSF IN/2.5" NH OUT	ZN12A ZN NOZZLE 2.5"-7.5 NH	XXL-B STORAGE BRACKET - BLITZFORCE
XXLG-32-NH1	XXL111A BLITZFORCE 2.5" INLET and OUTLET	ZN12A ZN NOZZLE 2.5"-7.5 NH	XXL-B STORAGE BRACKET - BLITZFORCE
XXLG-42-NH1	XXL111A BLITZFORCE 2.5" INLET and OUTLET	MST-3NJ 3 STACKED TIPS - 2.5" NHF	XXL-B STORAGE BRACKET - BLITZFORCE

See page 233 for additional Blitzforce Packages

**PORTABLE LIGHTWEIGHT OSCILLATING ATTACK MONITOR**

**BLITZFORCE™ Oscillating**



**BlitzForce Lightweight Portable Attack Monitor  
Optional Oscillation**

The BlitzForce OSC monitor has the same features as the standard BlitzForce monitor and includes a water driven turbine that when engaged, allows the nozzle to automatically sweep 10°, 15°, or 20° either side of center. The simple to use oscillating mechanism can be disengaged allowing manual horizontal rotation.



**BLITZFORCE™ OSC Portable Monitor Packages**

BLITZFORCE OSC PACKAGE MODEL	BLITZFORCE OSC MONITOR	NOZZLE	ACCESSORY
XXLC-33-BJ1	XXL212A BLITZFORCE OSCILLATOR 2.5" BSP IN/OUTLET	ZN22A ZN NOZZLE 2.5"-11 BSP	XXL-B STORAGE BRACKET - BLITZFORCE
XXLC-53-BJ1	XXL212A BLITZFORCE OSCILLATOR 2.5" BSP IN/OUTLET	MD22A MAX-FORCE TIP 2.5" BSP	XXL-B STORAGE BRACKET - BLITZFORCE
XXLC-53-NH1	XXL211A BLITZFORCE OSCILLATOR 2.5" NH IN/OUTLET	MD12A MAX-FORCE TIP 2.5" NHF	XXL-B STORAGE BRACKET - BLITZFORCE

**Portable Monitor with Safety Shut-off Valve  
BLITZFIRE®**

TFTs' BLITZFIRE is a simple, light, and highly maneuverable attack monitor. The low elevation angle makes it suitable for use indoors. If the BLITZFIRE starts to slide or lift, the SAFETY Shut-off VALVE automatically shuts off the flow of water. The shut-off action slows near stroke end to reduce the effects of water hammer. To reset the flow, simply open the valve to any of six detent flow positions with the turbulence-free

slide valve. The discharge pivots make directing the stream extremely quick and effortless. Outlet has built-in stream shaper. A unique up/down pivot on the hose inlet allows the monitor to have stability even on porches and stair landings. Folding legs have replaceable carbide tipped spikes. An anchor strap is included for safe operation.

- Flows up to 500 gpm (2000 l/min)
- Body is hardcoat anodized aluminum
- Blue TFT powder coat finish inside and out
- Six detent flow positions with a turbulence free slide valve
- Elevation is manually adjustable between 10° and 46° above horizontal
- Horizontal rotation is manually adjustable 20° either side of center
- Outlet has built-in stream shaper
- Standard inlet is 2.5" (65 mm) swivel rocker lug coupling. Standard outlet is 2.5" (65 mm) rigid male threads



■ **XX111A**  
 ■ **XX132A**  
**22.0 lb (10.0 kg)**  
**29.5"L x 8.1"W x 8.5"H**  
**(74.9 x 20.6 x 21.6 cm) stowed**



**XX-B**  
**3.40 lb**  
**(1.50 kg)**

- Stainless steel and hardcoat aluminum
- Can be mounted for rapid deployment of a pre-connected BLITZFIRE.
- Mounts on any accessible vertical or horizontal surface.
- 20" L x 8.5" W x 2" H (50.8 x 21.6 x 5.1 cm)

***BLITZFIRE Portable Monitor  
Nozzles, Foam Attachments,  
Accessories and Packages on  
the next pages.***

MODEL	DESCRIPTION
XX111A	2.5" NHF INLET x 2.5" NHM OUTLET
XX132A	2.5" BSPF INLET x 2.5" BSPM OUTLET

**Frequently Purchased BLITZFIRE Portable Monitor Nozzles, Foam Attachments and Accessories**

**MASTER STREAM NOZZLES FOR PORTABLE MONITORS**

The full line of Master Stream Nozzles can be found in the Master Stream Nozzles Manual section.



MODEL	TYPE	INLET	COUPLING	FLOW	LENGTH	WEIGHT
MD12A	Max-Force Dual Pressure	2.5" NH (65 mm)	Rigid Rocker Lug	100-500 gpm (400-2000 l/min) 100 psi (7 bar) / 55 psi (4 bar)	9.00" (22.9 cm)	6.7 lb (3.0 kg)
MD18A	Max-Matic Automatic	2.5" NH (65 mm)	Rigid Rocker Lug	100-500 gpm (400-2000 l/min) 100 psi (7 bar)	9.00" (22.9 cm)	6.5 lb (2.9 kg)
MD17A	Max-Matic Automatic	2.5" NH (65 mm)	Rigid Rocker Lug	100-500 gpm (400-2000 l/min) 80 psi (6 bar)	9.00" (22.9 cm)	6.5 lb (2.9 kg)
MD14A	Max-Flow Fixed Gallonage	2.5" NH (65 mm)	Rigid Rocker Lug	500 gpm (2000 l/min) 100 psi (7 bar)	9.00" (22.9 cm)	6.5 lb (2.9 kg)
MD22A	Max-Force Dual Pressure	2.5" BSP (65 mm)	Rigid Rocker Lug	100-500 gpm (400-2000 l/min) 100 psi (7 bar)/55 psi (4 bar)	9.00" (22.9 cm)	6.7 lb (3.0 kg)



**PORTABLE MONITOR FOAM ATTACHMENT**

The full line of foam attachments can be found in the Foam Equipment section.

MODEL	FITS NOZZLE	LENGTH	WEIGHT
FJ-MX-MD	Max-Series and ZN Series Industrial Nozzles	16.20" (41.1 cm)	4.6 lb (2.1 kg)



**VORTEX FOR PORTABLE MONITORS**

The full line of Vortex can be found in the Master Stream Nozzles Manual section.

MODEL	INLET	OUTLET	OPERATING SYSTEM	MAXIMUM PRESSURE	FLOW	LENGTH	WEIGHT
SVJ-NJNJ	2.5" NH (65 mm)	2.5" NH (65 mm)	MANUAL	300 psi (21 bar)	Up to 1250 gpm (up to 4500 l/min)	8.4" (21.3 cm)	5.5 lb (2.5 kg)



**SMOOTHBORE TIPS FOR PORTABLE MONITORS**

The full line of Smoothbore Tips can be found in the Master Stream Nozzles Manual section.

MODEL	INLET FEMALE	ORIFICE	LENGTH	WEIGHT
JSST10	2.5" NH (65 mm)	1-1/8" (29 mm) bore to 1.5" (38 mm) threaded male outlet	5.90" (15.0 cm)	1.8 lb (0.8 kg)
JSST11	2.5" NH (65 mm)	1-1/4" (32 mm) bore to 1.5" (38 mm) threaded male outlet	5.90" (15.0 cm)	1.8 lb (0.8 kg)
JSSTP-NF	1.5" NH (38 mm)	Smoothbore thread protector	0.88" (2.2 cm)	0.1 lb (0.1 kg)
MST-2NJ	2.5" NH (65 mm)	1-1/4", 1-1/8", and 1" (32 mm, 29 mm, and 25 mm)	9.63" (24.5 cm)	2.1 lb (1.0 kg)
MST-3NJ	2.5" NH (65 mm)	1-1/2", 1-1/4", and 1" (38, 32 and 25 mm)	11.80" (30.0 cm)	2.3 lb (1.0 kg)
MST-3BJ-M	2.5" BSP (65 mm)	38 mm, 32 mm, and 25 mm Metric flow & pressure	11.80" (30.0 cm)	2.3 lb (1.0 kg)
MST-5NJ	2.5" NH (65 mm)	1-3/4", 1-1/2", and 1-3/8" (45 mm, 38 mm, and 35 mm)	11.70" (29.7 cm)	3.0 lb (1.4 kg)

**BLITZFIRE® Packages**

BLITZFIRE PACKAGE MODEL	BLITZFIRE MONITOR	NOZZLE 1	ACCESSORY
		NOZZLE 2	
XXC-32-NH1	XX111A BLITZFIRE MONITOR 2.5" NHF X 2.5" NHM	MD12A MAX-FORCE TIP 2.5" NHF	XX-B STORAGE BRACKET - BLITZFIRE
XXC-42-NH1	XX111A BLITZFIRE MONITOR 2.5" NHF X 2.5" NHM	MST-3NJ 3 STACKED TIPS - 2.5" NHF	XX-B STORAGE BRACKET - BLITZFIRE
XXC-52-NH1	XX111A BLITZFIRE MONITOR 2.5" NHF X 2.5" NHM	MD12A MAX-FORCE TIP 2.5" NHF	XX-B STORAGE BRACKET - BLITZFIRE
		MST-3NJ 3 STACKED TIPS - 2.5" NHF	



**Oscillating Portable Monitor with Safety Shut-off Valve**  
**BLITZFIRE® Oscillating**

TFTs' BLITZFIRE is a simple, light, and highly maneuverable attack monitor. The low elevation angle makes it suitable for use indoors. If the BLITZFIRE starts to slide or lift, the SAFETY Shut-off VALVE automatically shuts off the flow of water. The shut-off action slows near stroke end to reduce the effects of water hammer. To reset the flow, simply open the valve to any of six detent flow positions with the turbulence-free slide valve. The discharge pivots make directing the stream extremely quick

and effortless. A unique up/down pivot on the hose inlet allows the monitor to have stability even on porches and stair landings. Folding legs have replaceable carbide tipped spikes. An anchor strap is included for safe operation. Oscillating feature will sweep nozzle 20°, 30° or 40° side to side. Manual override allows manual horizontal movement and easy re-engagement of automatic oscillation.

**20°, 30°, or 40° total sweep**



- **XX211A**
  - **XX232A**
  - **XX241A**
- 31.00 lb (14.10 kg)**  
**34.8"L x 10.5"W x 9.6"H**  
**(88.4 x 26.7 x 24.4 cm) stowed**

- Flows up to 500 gpm (2000 l/min)
- Nozzle automatically sweeps 10°, 15°, or 20° either side of center
- Oscillation can be disengaged for manual horizontal movement
- Body is hardcoat anodized aluminum
- Blue TFT powder coat finish inside and out
- Six detent flow positions with a turbulence free slide valve
- Elevation is manually adjustable between 10° and 46° above horizontal
- Standard inlet is 2.5" (65 mm) swivel rocker lug coupling. Standard outlet is 2.5" (65 mm) rigid male threads

To add the oscillating feature to an existing BLITZFIRE, contact TFT's Service Department.

MODEL	DESCRIPTION
XX211A	2.5" NHF INLET x 2.5" NHM OUTLET
XX232A	2.5" BSPF INLET x 2.5" BSPM OUTLET
XX241A	2.5" BICM INLET x 2.5" NHM OUTLET



**XX-B**  
**3.40 lb**  
**(1.50 kg)**

- Stainless steel and hardcoat aluminum
- Can be mounted for rapid deployment of a pre-connected BLITZFIRE.
- Mounts on any accessible vertical or horizontal surface.
- 20" L x 8.5" W x 2" H (50.8 x 21.6 x 5.1 cm)

**BLITZFIRE OSC Portable Monitor**  
**Nozzles, Foam Attachments, Accessories**  
**and Packages on the next pages.**

**Frequently Purchased BLITZFIRE Portable Monitor Nozzles, Foam Attachments and Accessories**

**MASTER STREAM NOZZLES FOR PORTABLE MONITORS**

The full line of Master Stream Nozzles can be found in the Master Stream Nozzles Manual section.



MODEL	TYPE	INLET	COUPLING	FLOW	LENGTH	WEIGHT
MD12A	Max-Force Dual Pressure	2.5" NH (65 mm)	Rigid Rocker Lug	100-500 gpm (400-2000 l/min) 100 psi (7 bar) / 55 psi (4 bar)	9.00" (22.9 cm)	6.7 lb (3.0 kg)
MD18A	Max-Matic Automatic	2.5" NH (65 mm)	Rigid Rocker Lug	100-500 gpm (400-2000 l/min) 100 psi (7 bar)	9.00" (22.9 cm)	6.5 lb (2.9 kg)
MD17A	Max-Matic Automatic	2.5" NH (65 mm)	Rigid Rocker Lug	100-500 gpm (400-2000 l/min) 80 psi (6 bar)	9.00" (22.9 cm)	6.5 lb (2.9 kg)
MD14A	Max-Flow Fixed Gallonage	2.5" NH (65 mm)	Rigid Rocker Lug	500 gpm (2000 l/min) 100 psi (7 bar)	9.00" (22.9 cm)	6.5 lb (2.9 kg)
MD22A	Max-Force Dual Pressure	2.5" BSP (65 mm)	Rigid Rocker Lug	100-500 gpm (400-2000 l/min) 100 psi (7 bar)/55 psi (4 bar)	9.00" (22.9 cm)	6.7 lb (3.0 kg)

**PORTABLE MONITOR FOAM ATTACHMENT**

The full line of foam attachments can be found in the Foam Equipment section.



MODEL	FITS NOZZLE	LENGTH	WEIGHT
FJ-MX-MD	Max-Series and ZN Series Industrial Nozzles	16.20" (41.1 cm)	4.6 lb (2.1 kg)

**VORTEX FOR PORTABLE MONITORS**

The full line of Vortex can be found in the Master Stream Nozzles Manual section.



MODEL	INLET	OUTLET	OPERATING SYSTEM	MAXIMUM PRESSURE	FLOW	LENGTH	WEIGHT
SVJ-NJNJ	2.5" NH (65 mm)	2.5" NH (65 mm)	MANUAL	300 psi (21 bar)	Up to 1250 gpm (up to 4500 l/min)	8.4" (21.3 cm)	5.5 lb (2.5 kg)

**SMOOTHBORE TIPS FOR PORTABLE MONITORS**

The full line of Smoothbore Tips can be found in the Master Stream Nozzles Manual section.



MODEL	INLET FEMALE	ORIFICE	LENGTH	WEIGHT
JSST10	2.5" NH (65 mm)	1-1/8" (29 mm) bore to 1.5" (38 mm) threaded male outlet	5.90" (15.0 cm)	1.8 lb (0.8 kg)
JSST11	2.5" NH (65 mm)	1-1/4" (32 mm) bore to 1.5" (38 mm) threaded male outlet	5.90" (15.0 cm)	1.8 lb (0.8 kg)
JSSTP-NF	1.5" NH (38 mm)	Smoothbore thread protector	0.88" (2.2 cm)	0.1 lb (0.1 kg)
MST-2NJ	2.5" NH (65 mm)	1-1/4", 1-1/8", and 1" (32 mm, 29 mm, and 25 mm)	9.63" (24.5 cm)	2.1 lb (1.0 kg)
MST-3NJ	2.5" NH (65 mm)	1-1/2", 1-1/4", and 1" (38, 32 and 25 mm)	11.80" (30.0 cm)	2.3 lb (1.0 kg)
MST-3BJ-M	2.5" BSP (65 mm)	38 mm, 32 mm, and 25 mm Metric flow & pressure	11.80" (30.0 cm)	2.3 lb (1.0 kg)
MST-5NJ	2.5" NH (65 mm)	1-3/4", 1-1/2", and 1-3/8" (45 mm, 38 mm, and 35 mm)	11.70" (29.7 cm)	3.0 lb (1.4 kg)

**STREAM STRAIGHTENERS FOR PORTABLE MONITORS**

The full line of Stream Straighteners can be found in the Master Stream Nozzles Manual section.



MODEL	RIGID FEMALE INLET	RIGID MALE OUTLET	LENGTH	WEIGHT
XF-SS5	2.5" NH (65 mm)	2.5" NH (65 mm)	5" (125 mm)	1.80 lb (0.80 kg)

**BLITZFIRE OSC Portable Monitor packages on the next page.**

**BLITZFIRE® OSC Packages**

BLITZFIRE OSC PACKAGE MODEL	BLITZFIRE OSC MONITOR	NOZZLE 1	ACCESSORY 1
		NOZZLE 2	ACCESSORY 2
XXC-33-BJ1	XX232A BLITZFIRE OSC 2.5" BSPF X 2.5" BSPM	MD22A MAX-FORCE TIP 2.5" BSPF	XX-B STORAGE BRACKET - BLITZFIRE
XXC-33-NH1	XX211A BLITZFIRE OSC 2.5" NHF X 2.5" NHM	MD12A MAX-FORCE TIP 2.5" NHF	XX-B STORAGE BRACKET - BLITZFIRE
XXC-53-NH1	XX211A BLITZFIRE OSC 2.5" NHF X 2.5" NHM	MD12A MAX-FORCE TIP 2.5" NHF	XF-SS5 STREAM STRAIGHTENER 5" 2.5" NH THREADS
		MST-3NJ 3 STACKED TIPS - 2.5" NHF	XX-B STORAGE BRACKET - BLITZFIRE

**High Elevation Portable Monitor with Safety Shut-off Valve**  
**BLITZFIRE® High Elevation**

TFTs' BLITZFIRE is a simple, light, and highly maneuverable attack monitor. The low elevation angle makes it suitable for use indoors. If the BLITZFIRE starts to slide or lift, the SAFETY Shut-off VALVE automatically shuts off the flow of water. The shut-off action slows near stroke end to reduce the effects of water hammer. To reset the flow, simply open the valve to any of six detent flow positions with the turbulence-free slide valve.

The discharge pivots make directing the stream extremely quick and effortless. Outlet has built-in stream shaper. A unique up/down pivot on the hose inlet allows the monitor to have stability even on porches and stair landings. Folding legs have replaceable carbide tipped spikes. An anchor strap is included for safe operation. Increased elevation range provides tactical advantage of stream placement.



**Adjustable between 10° and 86° above horizontal**

- **XX111A-HE**
- **XX132A-HE**
- **XX161A-HE**

**26.80 lb (12.20 kg)**  
**32"L x 8.1"W x 8.5"H**  
**(81.3 x 20.6 x 21.6 cm) stowed**

- Flows up to 500 gpm (2000 l/min)
- Elevation is manually adjustable between 10° and 86° above horizontal
- Body is hardcoat anodized aluminum
- Blue TFT powder coat finish inside and out
- Six detent flow positions with a turbulence free slide valve
- Horizontal rotation is manually adjustable 20° either side of center
- Outlet has built-in stream shaper
- Standard inlet is 2.5" (65 mm) swivel rocker lug coupling. Standard outlet is 2.5" (65 mm) rigid male threads

MODEL	DESCRIPTION
XX111A-HE	2.5" NHF INLET x 2.5" NHM OUTLET
XX132A-HE	2.5" BSPF INLET x 2.5" BSPM OUTLET
XX161A-HE	75 mm Storz INLET x 2.5" NHM OUTLET



**XX-B**  
**3.40 lb**  
**(1.50 kg)**

- Stainless steel and hardcoat aluminum
- Can be mounted for rapid deployment of a pre-connected BLITZFIRE.
- Mounts on any accessible vertical or horizontal surface.
- 20" L x 8.5" W x 2" H (50.8 x 21.6 x 5.1 cm)

**BLITZFIRE HE Portable Monitor Nozzles, Foam Attachments, Accessories and Packages on the next pages.**

**Frequently Purchased BLITZFIRE Portable Monitor Nozzles, Foam Attachments and Accessories**



**MASTER STREAM NOZZLES FOR PORTABLE MONITORS**

The full line of Master Stream Nozzles can be found in the Master Stream Nozzles Manual section.

MODEL	TYPE	INLET	COUPLING	FLOW	LENGTH	WEIGHT
MD12A	Max-Force Dual Pressure	2.5" NH (65 mm)	Rigid Rocker Lug	100-500 gpm (400-2000 l/min) 100 psi (7 bar) / 55 psi (4 bar)	9.00" (22.9 cm)	6.7 lb (3.0 kg)
MD18A	Max-Matic Automatic	2.5" NH (65 mm)	Rigid Rocker Lug	100-500 gpm (400-2000 l/min) 100 psi (7 bar)	9.00" (22.9 cm)	6.5 lb (2.9 kg)
MD17A	Max-Matic Automatic	2.5" NH (65 mm)	Rigid Rocker Lug	100-500 gpm (400-2000 l/min) 80 psi (6 bar)	9.00" (22.9 cm)	6.5 lb (2.9 kg)
MD14A	Max-Flow Fixed Gallonage	2.5" NH (65 mm)	Rigid Rocker Lug	500 gpm (2000 l/min) 100 psi (7 bar)	9.00" (22.9 cm)	6.5 lb (2.9 kg)
MD22A	Max-Force Dual Pressure	2.5" BSP (65 mm)	Rigid Rocker Lug	100-500 gpm (400-2000 l/min) 100 psi (7 bar)/55 psi (4 bar)	9.00" (22.9 cm)	6.7 lb (3.0 kg)



**PORTABLE MONITOR FOAM ATTACHMENT**

The full line of foam attachments can be found in the Foam Equipment section.

MODEL	FITS NOZZLE	LENGTH	WEIGHT
FJ-MX-MD	Max-Series and ZN Series Industrial Nozzles	16.20" (41.1 cm)	4.6 lb (2.1 kg)



**VORTEX FOR PORTABLE MONITORS**

The full line of Vortex can be found in the Master Stream Nozzles Manual section.

MODEL	INLET	OUTLET	OPERATING SYSTEM	MAXIMUM PRESSURE	FLOW	LENGTH	WEIGHT
SVJ-NJNJ	2.5" NH (65 mm)	2.5" NH (65 mm)	MANUAL	300 psi (21 bar)	Up to 1250 gpm (up to 4500 l/min)	8.4" (21.3 cm)	5.5 lb (2.5 kg)



**SMOOTHBORE TIPS FOR PORTABLE MONITORS**

The full line of Smoothbore Tips can be found in the Master Stream Nozzles Manual section.

MODEL	INLET FEMALE	ORIFICE	LENGTH	WEIGHT
JSST10	2.5" NH (65 mm)	1-1/8" (29 mm) bore to 1.5" (38 mm) threaded male outlet	5.90" (15.0 cm)	1.8 lb (0.8 kg)
JSST11	2.5" NH (65 mm)	1-1/4" (32 mm) bore to 1.5" (38 mm) threaded male outlet	5.90" (15.0 cm)	1.8 lb (0.8 kg)
JSSTP-NF	1.5" NH (38 mm)	Smoothbore thread protector	0.88" (2.2 cm)	0.1 lb (0.1 kg)
MST-2NJ	2.5" NH (65 mm)	1-1/4", 1-1/8", and 1" (32 mm, 29 mm, and 25 mm)	9.63" (24.5 cm)	2.1 lb (1.0 kg)
MST-3NJ	2.5" NH (65 mm)	1-1/2", 1-1/4", and 1" (38, 32 and 25 mm)	11.80" (30.0 cm)	2.3 lb (1.0 kg)
MST-3BJ-M	2.5" BSP (65 mm)	38 mm, 32 mm, and 25 mm Metric flow & pressure	11.80" (30.0 cm)	2.3 lb (1.0 kg)
MST-5NJ	2.5" NH (65 mm)	1-3/4", 1-1/2", and 1-3/8" (45 mm, 38 mm, and 35 mm)	11.70" (29.7 cm)	3.0 lb (1.4 kg)

**BLITZFIRE® HE Packages**

BLITZFIRE HE PACKAGE MODEL	BLITZFIRE HE MONITOR	NOZZLE 1	ACCESSORY
		NOZZLE 2	
XXC-32-HENH1	XX111A-HE BLITZFIRE MONITOR 2.5" NHF X 2.5" NHM	MD12A MAX-FORCE TIP 2.5" NHF	XX-B STORAGE BRACKET - BLITZFIRE
XXC-52-HENH1	XX111A-HE BLITZFIRE MONITOR 2.5" NHF X 2.5" NHM	MD12A MAX-FORCE TIP 2.5" FEMALE	XX-B STORAGE BRACKET - BLITZFIRE
		MST-3NJ 3 STACKED TIPS - 2.5" FEMALE INLET	

**High Elevation Oscillating Portable Monitor with Safety Shut-off Valve**  
**BLITZFIRE® High Elevation & Oscillating**

TFTs' BLITZFIRE is a simple, light, and highly maneuverable attack monitor. The low elevation angle makes it suitable for use indoors. If the BLITZFIRE starts to slide or lift, the SAFETY Shut-off VALVE automatically shuts off the flow of water. The shut-off action slows near stroke end to reduce the effects of water hammer. To reset the flow, simply open the valve to any of six detent flow positions with the turbulence-free slide valve. The discharge pivots make directing the stream extremely quick and effortless. A unique up/down pivot on the hose inlet allows

the monitor to have stability even on porches and stair landings. Folding legs have replaceable carbide tipped spikes. An anchor strap is included for safe operation. Increased elevation range provides tactical advantage of stream placement. Oscillating feature will sweep nozzle 20°, 30° or 40° side to side. Manual override allows manual horizontal movement and easy re-engagement of automatic oscillation.

**20°, 30°, or 40° total sweep**

**Adjustable between 10° and 86° above horizontal**

- **XX211A-HE**
- **XX232A-HE**
- **XX241A-HE**
- **XX261A-HE**
- **XX271A-HE**

**34.90 lb (15.80 kg)**  
**37.3"L x 10.5"W x 9.6"H**  
**(94.7 x 26.7 x 24.4 cm) stowed**

- Flows up to 500 gpm (2000 l/min)
- Elevation is manually adjustable between 10° and 86° above horizontal
- Nozzle automatically sweeps 10°, 15°, or 20° either side of center
- Oscillation can be disengaged for manual horizontal movement
- Body is hardcoat anodized aluminum
- Blue TFT powder coat finish inside and out
- Six detent flow positions with a turbulence free slide valve
- Standard inlet is 2.5" (65 mm) swivel rocker lug coupling. Standard outlet is 2.5" (65 mm) rigid male threads

To add the oscillating feature to an existing BLITZFIRE HE, contact TFT's Service Department.

MODEL	DESCRIPTION
XX211A-HE	2.5" NHF INLET x 2.5" NHM OUTLET
XX232A-HE	2.5" BSPF INLET x 2.5" BSPM OUTLET
XX241A-HE	2.5" BICM INLET x 2.5" NHM OUTLET
XX261A-HE	75 mm Storz INLET x 2.5" NHM OUTLET
XX271A-HE	80 mm CSF INLET x 2.5" NHM OUTLET

**XX-B**  
**3.40 lb**  
**(1.50 kg)**

- Stainless steel and hardcoat aluminum
- Can be mounted for rapid deployment of a pre-connected BLITZFIRE.
- Mounts on any accessible vertical or horizontal surface.
- 20" L x 8.5" W x 2" H (50.8 x 21.6 x 5.1 cm)

**BLITZFIRE HE OSC Portable Monitor**  
**Nozzles, Foam Attachments, Accessories**  
**and Packages on the next pages.**

**Frequently Purchased BLITZFIRE Portable Monitor Nozzles, Foam Attachments and Accessories**

**MASTER STREAM NOZZLES FOR PORTABLE MONITORS**

The full line of Master Stream Nozzles can be found in the Master Stream Nozzles Manual section.



MODEL	TYPE	INLET	COUPLING	FLOW	LENGTH	WEIGHT
MD12A	Max-Force Dual Pressure	2.5" NH (65 mm)	Rigid Rocker Lug	100-500 gpm (400-2000 l/min) 100 psi (7 bar) / 55 psi (4 bar)	9.00" (22.9 cm)	6.7 lb (3.0 kg)
MD18A	Max-Matic Automatic	2.5" NH (65 mm)	Rigid Rocker Lug	100-500 gpm (400-2000 l/min) 100 psi (7 bar)	9.00" (22.9 cm)	6.5 lb (2.9 kg)
MD17A	Max-Matic Automatic	2.5" NH (65 mm)	Rigid Rocker Lug	100-500 gpm (400-2000 l/min) 80 psi (6 bar)	9.00" (22.9 cm)	6.5 lb (2.9 kg)
MD14A	Max-Flow Fixed Gallonage	2.5" NH (65 mm)	Rigid Rocker Lug	500 gpm (2000 l/min) 100 psi (7 bar)	9.00" (22.9 cm)	6.5 lb (2.9 kg)
MD22A	Max-Force Dual Pressure	2.5" BSP (65 mm)	Rigid Rocker Lug	100-500 gpm (400-2000 l/min) 100 psi (7 bar)/55 psi (4 bar)	9.00" (22.9 cm)	6.7 lb (3.0 kg)

**PORTABLE MONITOR FOAM ATTACHMENT**

The full line of foam attachments can be found in the Foam Equipment section.



MODEL	FITS NOZZLE	LENGTH	WEIGHT
FJ-MX-MD	Max-Series and ZN Series Industrial Nozzles	16.20" (41.1 cm)	4.6 lb (2.1 kg)

**VORTEX FOR PORTABLE MONITORS**

The full line of Vortex can be found in the Master Stream Nozzles Manual section.



MODEL	INLET	OUTLET	OPERATING SYSTEM	MAXIMUM PRESSURE	FLOW	LENGTH	WEIGHT
SVJ-NJNJ	2.5" NH (65 mm)	2.5" NH (65 mm)	MANUAL	300 psi (21 bar)	Up to 1250 gpm (up to 4500 l/min)	8.4" (21.3 cm)	5.5 lb (2.5 kg)

**SMOOTHBORE TIPS FOR PORTABLE MONITORS**

The full line of Smoothbore Tips can be found in the Master Stream Nozzles Manual section.



MODEL	INLET FEMALE	ORIFICE	LENGTH	WEIGHT
JSST10	2.5" NH (65 mm)	1-1/8" (29 mm) bore to 1.5" (38 mm) threaded male outlet	5.90" (15.0 cm)	1.8 lb (0.8 kg)
JSST11	2.5" NH (65 mm)	1-1/4" (32 mm) bore to 1.5" (38 mm) threaded male outlet	5.90" (15.0 cm)	1.8 lb (0.8 kg)
JSSTP-NF	1.5" NH (38 mm)	Smoothbore thread protector	0.88" (2.2 cm)	0.1 lb (0.1 kg)
MST-2NJ	2.5" NH (65 mm)	1-1/4", 1-1/8", and 1" (32 mm, 29 mm, and 25 mm)	9.63" (24.5 cm)	2.1 lb (1.0 kg)
MST-3NJ	2.5" NH (65 mm)	1-1/2", 1-1/4", and 1" (38, 32 and 25 mm)	11.80" (30.0 cm)	2.3 lb (1.0 kg)
MST-3BJ-M	2.5" BSP (65 mm)	38 mm, 32 mm, and 25 mm Metric flow & pressure	11.80" (30.0 cm)	2.3 lb (1.0 kg)
MST-5NJ	2.5" NH (65 mm)	1-3/4", 1-1/2", and 1-3/8" (45 mm, 38 mm, and 35 mm)	11.70" (29.7 cm)	3.0 lb (1.4 kg)

**STREAM STRAIGHTENERS FOR PORTABLE MONITORS**

The full line of Stream Straighteners can be found in the Master Stream Nozzles Manual section.



MODEL	RIGID FEMALE INLET	RIGID MALE OUTLET	LENGTH	WEIGHT
XF-SS5	2.5" NH (65 mm)	2.5" NH (65 mm)	5" (125 mm)	1.80 lb (0.80 kg)

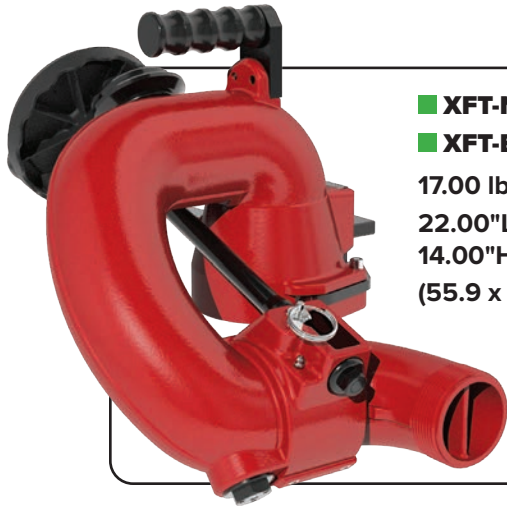


**BLITZFIRE® HE OSC Packages**

BLITZFIRE HE OSC PACKAGE MODEL	BLITZFIRE HE OSC MONITOR	NOZZLE 1	ACCESSORY 1
		NOZZLE 2	ACCESSORY 2
XXC-33-HENH1	XX211A-HE BLITZFIRE OSC 2.5"NHF X 2.5" NHM	MD12A MAX-FORCE TIP 2.5"NHF	XX-B STORAGE BRACKET - BLITZFIRE
XXC-33-HESL1	XX261A-HE BLITZFIRE OSC 75 MM STORZ INLET X 2.5" NHM	MD12A MAX-FORCE TIP 2.5" NHF	XX-B STORAGE BRACKET - BLITZFIRE
XXC-53-HENH1	XX211A-HE BLITZFIRE OSC 2.5" NHF X 2.5" NHM	MD12A MAX-FORCE TIP 2.5" NHF	XF-SS5 STREAM STRAIGHTENER 5" 2.5" NH THREADS
		MST-3NJ 3 STACKED TIPS - 2.5" NHF	XX-B STORAGE BRACKET - BLITZFIRE

**PORTABLE / DECK GUN MONITOR  
CROSSFIRE® SERIES**

The CROSSFIRE monitor is the most versatile master stream appliance ever offered to the fire service. Its lightweight, compact design and unique quick-release swivel joint allow for a faster and safer stream deployment in the portable attack mode.



- **XFT-NJ**
- **XFT-BJ**
- 17.00 lb (7.50 kg)**
- 22.00"L x 14.00"W x 14.00"H**
- (55.9 x 35.6 x 35.6 cm)**

MODEL	DESCRIPTION
XFT-NJ	2.5" NHM OUTLET
XFT-BJ	2.5" BSPM OUTLET

**PORTABLE / DECK GUN MONITOR  
SAFE-TAK™ 1250 CROSSFIRE PORTABLE BASE WITH SAFETY VALVE**

Portable bases are supplied with either two clappered swivel inlets or with a single full-time swivel inlet and include the SAFE-TAK "flow safety valve". The stainless steel, carbide-tipped base support legs can be folded to easily fit inside a small apparatus compartment, or for carrying pre-connected to a hose line. Includes a safety tie-down strap with attached storage cap.



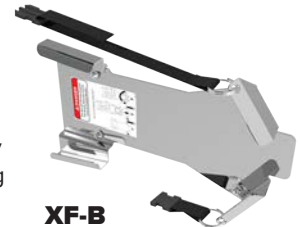
- SAFE-TAK 1250 XFH\*\* (see chart)**
- Includes SAFE-TAK™ VALVE for flows up to 1250 gpm (4700 l/min)

The Safe-Tak 1250 utilizes the revolutionary Safe-Tak "flow safety valve." Should the monitor lose contact with the ground surface, the Safe-Tak will automatically reduce flow to the monitor. This safety feature reduces the risk of injury from an out-of-control appliance. Monitor top and base are hardcoat anodized aluminum with a powder coat finish inside and out for superior corrosion protection. Truck mount adapter not included, order separately.

- Flow range up to 1250 gpm (4750 l/min)
- 2.5" (65 mm) outlet
- Can be connected to either a portable base or a truck with adapters or a TFT Extend-A-Gun with XL outlet.
- Large 3.25" (83 mm) waterway
- The connection is easy, positive, and visually verified
- 360° horizontal rotation
- Highly visible pressure gauge and a built-in automatic drain

**CROSSFIRE STORAGE BRACKET**

13 ga., 304 stainless steel bracket with strap holds the Safe-Tak 1250 portable base securely while being transported. This bracket can be mounted vertically or horizontally in any position, including the top or underside of a shelf, on a side wall, or on a compartment door. Includes quick release storage strap.



- XF-B**
- 14.75" x 7.75" x 2"**
- (37.5 x 19.7 x 5.1cm)**
- 3.10 lb (1.40 kg)**

**PORTABLE BASE INLET CHART - Please specify inlet thread.**

Safe-Tak 1250 Model #	# Inlets	Inlet Size	Safe-Tak 1250	
			lbs	kg
XFH-1NL	1	3.0" NH (75 mm)	25.4	11.5
XFH-1NN	1	3.5" NH (90 mm)	25.6	11.6
XFH-1NP	1	4.0" NH (100 mm)	26.2	11.9
XFH-1NR	1	4.5" NH (114 mm)	26.3	12.0
XFH-1SP	1	4" Storz (100 mm)	27.0	12.2
XFH-1ST	1	5" Storz (125 mm)	28.7	13.0
XFH-1SX	1	6" Storz (150 mm)	30.4	13.8
XFH-2NJ	2	2.5" NH (65 mm)	23.8	10.8
XFH-2BIC	2	2.5" BICM (65 mm)	23.8	10.8
XFH-2BJ	2	2.5" BSPF (65 mm)	23.8	10.8
XFH-2SL	2	75 mm Storz	27.2	12.3

**CROSSFIRE Monitor Mounting Options, Accessories Nozzles, Foam Attachments and Packages on the next pages.**

**Frequently Purchased CROSSFIRE Portable Monitor Nozzles, Foam Attachments and Accessories**



**MASTER FORCE NOZZLES FOR PORTABLE MONITORS**

The full line of Master Stream Nozzles can be found in the Master Stream Nozzles Manual section.

MODEL	INLET	FLOW	OPERATING PRESSURE	LENGTH	WEIGHT
MC12A	2.5" NH (65 mm)	300-800 gpm (1100-3000 l/min)	100/55 psi (7/4 bar)	10.4" (26.4 cm)	9.5 lb (4.3 kg)



**MASTER STREAM NOZZLES FOR PORTABLE MONITORS**

The full line of Master Stream Nozzles can be found in the Master Stream Nozzles Manual section.

MODEL	INLET	OPERATING SYSTEM	FLOW	OPERATING PRESSURE	LENGTH	WEIGHT
M-R1000-NJ	2.5" NH (65 mm)	AUTOMATIC	150-1000 gpm (600-3800 l/min)	100 psi (7 bar)	10.0" (25.4 cm)	9.1 lb (4.1 kg)
M-R1250S-NJ	2.5" NH (65 mm)	AUTOMATIC	150-1250 gpm (570-4700 l/min)	100 psi (7 bar)	10.0" (25.4 cm)	10.4 lb (4.7 kg)
M-R1250S-BJ	2.5" BSP (65 mm)	AUTOMATIC	150-1250 gpm (570-4700 l/min)	100 psi (7 bar)	10.0" (25.4 cm)	10.4 lb (4.7 kg)



**PORTABLE MONITOR FOAM ATTACHMENT**

The full line of foam attachments can be found in the Foam Equipment section.

MODEL	FITS NOZZLE	LENGTH	WEIGHT
FJ-LX-M	Master Force, Master Stream 1000 & 1250S and Master Foam 250-750 gpm	25.30" (64.3 cm)	6.4 lb (2.9 kg)



**VORTEX FOR PORTABLE MONITORS**

The full line of Vortex can be found in the Master Stream Nozzles Manual section.

MODEL	INLET	OUTLET	OPERATING SYSTEM	MAXIMUM PRESSURE	FLOW	LENGTH	WEIGHT
SVJ-NJNJ	2.5" NH (65 mm)	2.5" NH (65 mm)	MANUAL	300 psi (21 bar)	Up to 1250 gpm (up to 4500 l/min)	8.4" (21.3 cm)	5.5 lb (2.5 kg)



**SMOOTHBORE STACKED TIP FOR PORTABLE MONITORS**

The full line of Smoothbore Stacked Tips can be found in the Master Stream Nozzles Manual section.

MODEL	INLET	ORIFICE OPENINGS	LENGTH	WEIGHT
MST-4NJ	2.5" NH (65 mm)	2", 1-3/4", 1-1/2", and 1-3/8" (52 mm, 45 mm, 38 mm and 35 mm)	16.90" (42.9 cm)	3.10 lb (1.40 kg)
MST-4BJ	2.5" BSP (65 mm)	2", 1-3/4", 1-1/2", and 1-3/8" (52 mm, 45 mm, 38 mm and 35 mm)	16.90" (42.9 cm)	3.10 lb (1.40 kg)



**STREAM STRAIGHTENERS FOR PORTABLE MONITORS**

The full line of Stream Straighteners can be found in the Master Stream Nozzles Manual section.

MODEL	RIGID FEMALE INLET	RIGID MALE OUTLET	LENGTH	WEIGHT
XF-SS5	2.5" NH (65 mm)	2.5" NH (65 mm)	5" (125 mm)	1.80 lb (0.80 kg)
XF-SS5-BJ	2.5" BSP (65 mm)	2.5" BSP (65 mm)	5" (125 mm)	1.80 lb (0.80 kg)
XF-SS10	2.5" NH (65 mm)	2.5" NH (65 mm)	10" (254 mm)	3.50 lb (1.90 kg)

**Continued on next page.**

**Frequently Purchased CROSSFIRE Portable Monitor Nozzles, Foam Attachments and Accessories continued.**



**TRUCK ADAPTER, 3.0" NPT FEMALE**

The full listing of CROSSFIRE accessories can be found in the CROSSFIRE Accessories pages.

MODEL	THREADS	HEIGHT	DIAMETER	WEIGHT
XFF-APL	3" NPT Female (75 mm)	5.0" (125 mm)	6.7" dia (170 mm)	3.0 lb (1.4 kg)



**EXTEND-A-GUN RC3 / CROSSFIRE ADAPTER**

The full listing of CROSSFIRE accessories can be found in the CROSSFIRE Accessories pages.

MODEL	HEIGHT	DIAMETER	WEIGHT
XFF-RLF	5.0" (125 mm)	6.7" dia (170 mm)	4.2 lb (1.9 kg)



**EXTEND-A-GUN PIPE**

The full listing of CROSSFIRE accessories can be found in the CROSSFIRE Accessories pages.

MODEL	DESCRIPTION	WEIGHT
XG18XL-XL	Manual 16" (40.6 cm) extension pipe for CROSSFIRE monitor top	22.0 lb (10.0 kg)



**FLANGE TRUCK MOUNT ADAPTER**

The full listing of CROSSFIRE accessories can be found in the CROSSFIRE Accessories pages.

MODEL	FLANGE	BOLTS	INTERNAL THREADS	HEIGHT	DIAMETER	WEIGHT
XFF-MPL	3" ANSI 150 (75 mm)	(4) 5/8"-11X3	NONE	5" (12.7 cm)	7.50" (19.1 cm)	6.9 lb (3.1 kg)
XFF-MPP	4" ANSI 150 (100 mm)	(8) 5/8"-11X3	NONE	8" (20.3 cm)	9.00" (22.9 cm)	11.0 lb (5.0 kg)



**COMPANION FLANGE**

The full listing of CROSSFIRE accessories can be found in the CROSSFIRE Accessories pages.

MODEL	FLANGE	BOLTS	THREADS	DIAMETER	WEIGHT
XFF-CPL	3" ANSI 150 (75 mm)	(4) - 5/8" (M16) (not included)	3" NPT Female (75 mm)	7.50" (19.1 cm)	3.0 lb (1.4 kg)

**Continued on next page.**

**CROSSFIRE® SERIES ACCESSORIES**

**EXTEND-A-GUN PIPE**

A simple and cost effective way to easily add 16" (40.6 cm) to your CROSSFIRE Deck gun outlet connection. Simply remove the CROSSFIRE monitor from the existing truck mount adapter, add the Extend-A-Gun Pipe and connect the CROSSFIRE top. Increases the field of fire by raising the CROSSFIRE monitor to clear obstructions on the top of the apparatus. Utilizes

the same quick connect features of the CROSSFIRE monitor. Visually verifiable rotation lock and locking mechanism.

- Made from hardcoat anodized aluminum alloy for lightweight and corrosion resistance.
- Not for use on Extend-A-Gun telescoping waterway.
- Not for use on portable ground base.



**XG18XL-XL**

MODEL	EXTENSION HEIGHT	DIAMETER	WEIGHT
XG18XL-XL	16" (40.6 cm)	3" (75 mm)	22.0 lb (10.0 kg)

**Frequently Purchased Extend-A-Gun Pipe Accessories**



**XFF-MPL  
XFF-MPP**

**FLANGE TRUCK MOUNT ADAPTER**

For use on riser with companion flange. Compact, hardcoat anodized aluminum adapter allows the CROSSFIRE monitor to be easily utilized as a truck mounted deluge appliance. Hardware and gasket included.

MODEL	FLANGE	BOLTS	THREADS	HEIGHT	DIAMETER	WEIGHT
XFF-MPL	3" ANSI 150 (75 mm)	(4) 5/8"-11X3	NONE	5" (12.7 cm)	7.50" (19.1 cm)	6.9 lb (3.1 kg)
XFF-MPP	4" ANSI 150 (100 mm)	(8) 5/8"-11X3	NONE	8" (20.3 cm)	9.00" (22.9 cm)	11.0 lb (5.0 kg)



**XFF-CPL**

**COMPANION FLANGE**

- Gasket included.

MODEL	FLANGE	BOLTS	THREADS	DIAMETER	WEIGHT
XFF-CPL	3" ANSI 150 (75 mm)	(4) - 5/8" (M16) (not included)	3" NPT Female (75 mm)	7.50" (19.1 cm)	3.0 lb (1.4 kg)



**XFF-APL**

**TRUCK ADAPTER, 3.0" NPT FEMALE**

Can be screwed directly on a 3.0" NPT (75 mm) male thread. This compact, hardcoat anodized adapter allows the CROSSFIRE monitor to be easily utilized as a truck mounted deluge appliance.

MODEL	THREADS	HEIGHT	DIAMETER	WEIGHT
XFF-APL	3" NPT Female (75 mm)	5.0" (125 mm)	6.7" dia (170 mm)	3.0 lb (1.4 kg)



**XFF-RLF**

**EXTEND-A-GUN RC3/CROSSFIRE ADAPTER**

This compact, hardcoat anodized adapter attaches to the electronically raised Extend-A-Gun RC3, allowing the CROSSFIRE monitor to be easily utilized as a truck mounted deluge appliance.

MODEL	HEIGHT	DIAMETER	WEIGHT
XFF-RLF	5.0" (125 mm)	6.7" dia (170 mm)	4.2 lb (1.9 kg)

**CROSSFIRE® Packages**

CROSSFIRE Combination Packages combine the most often purchased components into a simple-to-order package. Contact TFT customer service for assistance.



*Product examples shown. See chart for specific product package combinations.*

CROSSFIRE PACKAGE MODEL	CROSSFIRE MONITOR	NOZZLE 1	ACCESSORY 1
	SAFE-TAK BASE	NOZZLE 2	ACCESSORY 2
XFC-12-2BICJ	XFT-BJ CROSSFIRE MONIOTOR TOP 2.5" BSP MALE OUTLET		
	XFH-2BIC SAFE-TAK BASE 2.5" BICM INLETS		
XFC-12-2NJ	XFT-NJ CROSSFIRE MONITOR TOP 2.5" NH MALE OUTLET		XF-B STORAGE BRACKET; CROSSFIRE
	XFH-2NJ SAFE-TAK BASE 2.5" NH FEMALE INLETS		
XFC-32-2BJ2	XFT-BJ CROSSFIRE MONITOR TOP 2.5" BSP MALE OUTLET	M-R1250S-NJ MASTER STREAM 1250S W/ HALO AUTO 2.5" NH	XF-B STORAGE BRACKET; CROSSFIRE
	XFH-2BJ SAFE-TAK BASE 2.5" BSP FEMALE INLETS		
XFC-32-1ST2	XFT-NJ CROSSFIRE MONITOR TOP 2.5" NH MALE OUTLET	M-R1250S-NJ MASTER STREAM 1250S W/ HALO AUTO 2.5" NH	XF-B STORAGE BRACKET; CROSSFIRE
	XFH-1ST SAFE-TAK BASE 5.0" STORZ		
XFC-32-2NJ2	XFT-NJ CROSSFIRE MONITOR TOP 2.5" NH MALE OUTLET	M-R1250S-NJ MASTER STREAM 1250S W/ HALO AUTO 2.5" NH	XF-B STORAGE BRACKET; CROSSFIRE
	XFH-2NJ SAFE-TAK BASE 2.5" NH FEMALE INLETS		
XFC-32-2NJ1	XFT-NJ CROSSFIRE MONITOR TOP 2.5" NH MALE OUTLET	M-R1000-NJ MASTER STREAM 1000 W/ HALO AUTO 2.5" NH	XF-B STORAGE BRACKET; CROSSFIRE
	XFH-2NJ SAFE-TAK BASE 2.5" NH FEMALE INLETS		
XFC-32-2SL2	XFT-NJ CROSSFIRE MONITOR TOP 2.5" NH MALE OUTLET	M-R1250S-NJ MASTER STREAM 1250S W/ HALO AUTO 2.5" NH	XF-B STORAGE BRACKET; CROSSFIRE
	XFH-2SL SAFE-TAK BASE 75 MM STORZ INLETS		
XFC-42-1SP-L	XFT-NJ CROSSFIRE MONITOR TOP 2.5" NH MALE OUTLET	MST-4NJ 4 STACKED TIPS 2.5" NH	XF-SS10 STREAM STRAIGHTENER 10" 2.5" NH THREADS
	XFH-1SP SAFE-TAK BASE 4.0" STORZ		XF-B STORAGE BRACKET; CROSSFIRE

**Continued on next page.**

**CROSSFIRE® Packages**

CROSSFIRE PACKAGE MODEL	CROSSFIRE MONITOR	NOZZLE 1	ACCESSORY 1
	SAFE-TAK BASE	NOZZLE 2	ACCESSORY 2
XFC-42-1ST-S	XXFT-NJ CROSSFIRE MONITOR TOP 2.5" NH MALE OUTLET	MST-4NJ 4 STACKED TIPS 2.5" NH	XF-SS5 STREAM STRAIGHTENER 5" 2.5" NH THREADS
	XFH-1ST SAFE-TAK BASE 5" STORZ		XF-B STORAGE BRACKET; CROSSFIRE
XFC-42-2NJ-L	XFT-NJ CROSSFIRE MONITOR TOP 2.5" NH MALE OUTLET	MST-4NJ 4 STACKED TIPS 2.5" NH	XF-SS10 STREAM STRAIGHTENER 10" 2.5" NH THREADS
	XFH-2NJ SAFE-TAK BASE 2.5" FEMALE INLETS		XF-B STORAGE BRACKET; CROSSFIRE
XFC-42-2NJ-S	XFT-NJ CROSSFIRE MONITOR TOP 2.5" NH MALE OUTLET	MST-4NJ 4 STACKED TIPS 2.5" NH	XF-SS5 STREAM STRAIGHTENER 5" 2.5" NH THREADS
	XFH-2NJ SAFE-TAK BASE 2.5" FEMALE INLETS		XF-B STORAGE BRACKET; CROSSFIRE
XFC-52-1ST2L	XFT-NJ CROSSFIRE MONITOR TOP 2.5" NH MALE OUTLET	M-R1250S-NJ MASTER STREAM 1250S W/ HALO AUTO 2.5" NH	XF-SS10 STREAM STRAIGHTENER 10" 2.5" NH THREADS
	XFH-1ST SAFE-TAK BASE 5.0" STORZ	MST-4NJ 4 STACKED TIPS 2.5" NH	XF-B STORAGE BRACKET; CROSSFIRE
XFC-52-1ST2S	XFT-NJ CROSSFIRE MONITOR TOP 2.5" NH MALE OUTLET	M-R1250S-NJ MASTER STREAM 1250S W/ HALO AUTO 2.5" NH	XF-SS5 STREAM STRAIGHTENER 5" 2.5" NH THREADS
	XFH-1ST SAFE-TAK BASE 5.0" STORZ	MST-4NJ 4 STACKED TIPS 2.5" NH	XF-B STORAGE BRACKET; CROSSFIRE
XFC-52-2NJ1L	XFT-NJ CROSSFIRE MONITOR TOP 2.5" NH MALE OUTLET	M-R1000-NJ MASTER STREAM 1000 W/ HALO AUTO 2.5" NH	XF-SS10 STREAM STRAIGHTENER 10" 2.5" NH THREADS
	XFH-2NJ SAFE-TAK BASE 2.5" FEMALE INLETS	MST-4NJ 4 STACKED TIPS 2.5" NH	
XFC-52-2NJ2L	XFT-NJ CROSSFIRE MONITOR TOP 2.5" NH MALE OUTLET	M-R1250S-NJ MASTER STREAM 1250S W/ HALO AUTO 2.5" NH	XF-SS10 STREAM STRAIGHTENER 10" 2.5" NH THREADS
	XFH-2NJ SAFE-TAK BASE 2.5" FEMALE INLETS	MST-4NJ 4 STACKED TIPS 2.5" NH	XF-B STORAGE BRACKET; CROSSFIRE
XFC-52-2NJ2S	XFT-NJ CROSSFIRE MONITOR TOP 2.5" NH MALE OUTLET	M-R1250S-NJ MASTER STREAM 1250S W/ HALO AUTO 2.5" NH	XF-SS5 STREAM STRAIGHTENER 5" 2.5" NH THREADS
	XFH-2NJ SAFE-TAK BASE 2.5" FEMALE INLETS	MST-4NJ 4 STACKED TIPS 2.5" NH	
XFC-322BICJ2	XFT-NJ CROSSFIRE MONITOR TOP 2.5" MALE OUTLET	M-R1250S-NJ MASTER STREAM 1250S W/ HALO AUTO 2.5" NH	XF-B STORAGE BRACKET; CROSSFIRE
	XFH-2BIC SAFE-TAK BASE 2.5" BIC MALE INLETS		
XFC-322BICJ3	XFT-BJ CROSSFIRE MONITOR TOP 2.5" BSP MALE OUTLET	M-RS4000-BJ MASTER STREAM 4000S W/ HALO SELECTABLE 2.5" BSP	XF-B STORAGE BRACKET; CROSSFIRE
	XFH-2BIC SAFE-TAK BASE 2.5" BIC MALE INLETS		

**HEMISPHERE™**

**Transportable Monitor**

The HEMISPHERE is a versatile, lightweight, and quick to deploy portable monitor that gives the user the ability to quickly establish water flow in locations that ground monitors cannot. Since the Hemisphere doesn't rely on gravity for stability, it can be pointed horizontal and down, in addition to up, unlike portable ground monitors. The rotating, swiveling waterway allows the stream to be pointed in virtually any direction within a hemispherical range



■ **HPM111A**

■ **HPM132A\***

**21.9 lb (9.9 kg)**

**11.2" (28.4 cm) Height**

**11.6" (29.5 cm) Width**

**21.1" (53.6 cm) Depth**

■ **HPMG111A**

with Pressure Gauge

**23.4 lb (10.6 kg)**

**11.2" (28.4 cm) Height**

**11.6" (29.5 cm) Width**

**21.1" (53.6 cm) Depth**

without interrupting water flow. A variety of mounts, including an I-beam clamp that doubles as a 2" (52 mm) hitch mount, a dedicated hitch mount, and fixed mounts provide the user the ability to quickly attach the monitor and establish coverage on the fire ground or in preplanned locations. An integrated quarter-turn aluminum half ball valve with locking handle provides shut-off capability. The monitor and valve bodies are hardcoat anodized aluminum inside and out with a blue TFT powder coat finish.

- Flow range up to 500 gpm (2000 l/min)
- Swiveling 45° valved inlet and a rotating swiveling outlet
- Outlet is manually adjustable via a double ball swivel, angled 40° from the main waterway, capable of sweeping 80°, and can be rotated about the main waterway a full 360° by a hand crank
- Outlet has a built-in stream straightener
- Water pressurized pins prevent the monitor from releasing while flowing



- Optional 0-300 psi (0-20 bar) pressure gauge available
- Protective ring and lens cover
- Gauge reads inlet pressure when valve is closed

MODEL	DESCRIPTION
HPM111A	2.5" NH INLET & OUTLET
HPM132A*	2.5" BSP INLET & OUTLET
HPMG111A+	2.5" NH INLET & OUTLET

\* EN15767-1 Compliant    + with Pressure Gauge



**HEMISPHERE™**  
**Transportable Monitor**  
 500 gpm (2000 l/min)  
 Anywhere, Anytime.

**Hemisphere Monitor Mounting Options, Accessories Nozzles, Foam Attachments and Packages on the next pages.**



**HEMISPHERE™**

**Transportable Monitor Mounting Options**

This hardcoat anodized aluminum and stainless steel clamps can be quickly attached to objects such as: an I-beam, stair rails, tank lip, industrial scaffolding, round and various other odd shaped objects by one person without the use of tools. The mount and clamp jaws can be moved to any of the 42 positions on the backbone for maximum versatility. Detented pins hold the mount and jaws in place and a travel stop

keeps the pins attached to prevent them from being dropped or lost. Once the clamp is secured, the Hemisphere monitor is attached to the clamp by sliding the socket at the base of the monitor over the mount. The jaws can be removed and the backbone can be inserted into any standard 2" (52 mm) hitch giving the ability to quickly add a monitor to most vehicles without costly modifications.

**All Hemisphere Mounting Options Adjust Quickly and Easily**

**I-Beam Clamp/2" Hitch Mount**

**HPM-A**

- Clamps to I-beams and other similar objects



**Tank Lip Clamp/2" Hitch Mount**

**HPM-F**

- Clamps to storage tank lips and other similar objects



**Parallel Bar Clamp/2" Hitch Mount**

**HPM-G**

- Clamps to industrial scaffolding and other similar objects



**Flex Clamp/2" Hitch Mount**

**HPM-H**

- Clamps to round and various shaped objects
- Bags neatly store chain when not in use and stay attached during use



MODEL	MOUNTING BRACKET SET	HEIGHT	WIDTH	DEPTH	WEIGHT
HPM-A	I BEAM CLAMP 2" (52 mm) HITCH MOUNT	5.7" (14.5 cm)	6.4" (16.3 cm)	33.1" (84.1 cm)	19.2 lb (8.7 kg)
HPM-F	TANK LIP CLAMP 2" (52 mm) HITCH MOUNT	5.7" (14.5 cm)	6.4" (16.3 cm)	33.1" (84.1 cm)	22.0 lb (10.0 kg)
HPM-G	PARALLEL BAR CLAMP 2" (52 mm) HITCH MOUNT	5.7" (14.5 cm)	6.4" (16.3 cm)	33.1" (84.1 cm)	20.6 lb (9.3 kg)
HPM-H	FLEX CLAMP 2" (52 mm) HITCH MOUNT	7.7" (19.6 cm)	9.2" (23.4 cm)	33.1" (84.1 cm)	25.5 lb (11.6 kg)



**TANK LIP**



**STAIR RAILING**



**FRAMING MEMBER**

**HEMISPHERE™**

**Transportable Monitor Accessories**

Hardcoat anodized aluminum and stainless steel clamp jaws attach to the 2" (52 mm) backbone/hitch mount to provide a clamp that can be quickly attached to objects such as: an I-beam, stair rails, tank lip, industrial scaffolding, round and

various other odd shaped objects by one person without the use of tools. Add additional clamp sets to your existing backbone to make it more versatile.

**Backbone Hitch Mount  
HPM-N**

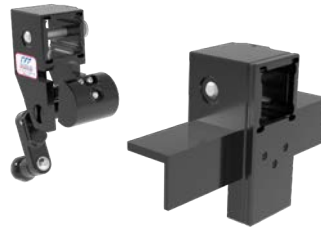


- Standard Backbone replacement
- Can be used in vehicle hitch receiver
- Requires HPM-E Cross-Pin Mount

**I-Beam Clamp  
HPM-J**



**Tank Lip Clamp  
HPM-K**

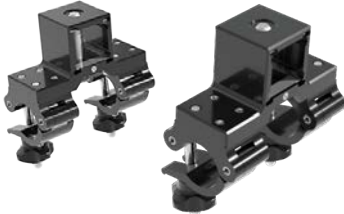


**Fixed Mount  
HPM-B**

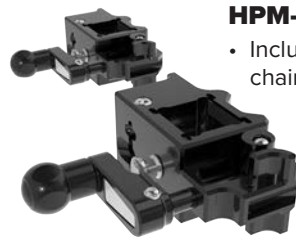


- Install in pre-planned coverage areas

**Parallel Bar Clamp  
HPM-L**



**Flex Clamp Chain Blocks  
HPM-M**



- Includes chains

**Mounting Block  
HPM-D**



- Install in pre-planned coverage areas
- Requires HPM-E Cross-Pin Mount

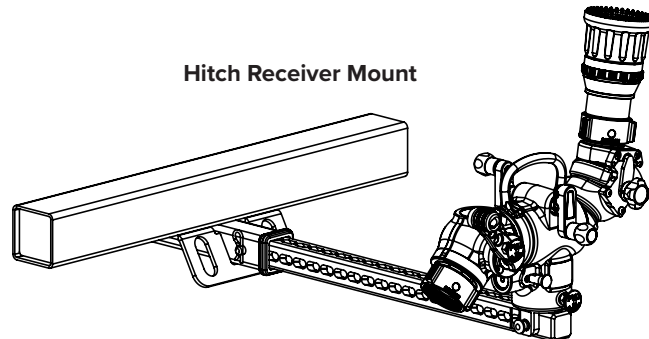
**Cross-Pin Mount  
HPM-E**



- Standard Hemisphere mount
- Used with HPM-N Backbone or HPM-D Mounting Block

MODEL	TYPE OF JAWS	WEIGHT
HPM-J	I BEAM CLAMP	7.7 lb (3.5 kg)
HPM-K	TANK LIP CLAMP	10.5 lb (4.8 kg)
HPM-L	PARALLEL BAR CLAMP	9.1 lb (4.1 kg)
HPM-M	FLEX CLAMP CHAIN BLOCKS	14.0 lb (6.4 cm)
HPM-N	BACKBONE HITCH MOUNT	9.4 lb (4.3 kg)
HPM-B	FIXED MOUNT	1.9 lb (0.9 kg)
HPM-D	MOUNTING BLOCK	0.8 lb (0.4 cm)
HPM-E	CROSS PIN MOUNT	2.1 lb (1.0 kg)

**Hitch Receiver Mount**



**Frequently Purchased Hemisphere Transportable Monitor Nozzles, Foam Attachments and Accessories**



**MASTER STREAM NOZZLES FOR PORTABLE MONITORS**

The full line of Master Stream Nozzles can be found in the Master Stream Nozzles Manual section.

MODEL	TYPE	INLET	COUPLING	FLOW	LENGTH	WEIGHT
MD12A	Max-Force Dual Pressure	2.5" NH (65 mm)	Rigid Rocker Lug	100-500 gpm (400-2000 l/min) 100 psi (7 bar) / 55 psi (4 bar)	9.00" (22.9 cm)	6.7 lb (3.0 kg)
MD18A	Max-Matic Automatic	2.5" NH (65 mm)	Rigid Rocker Lug	100-500 gpm (400-2000 l/min) 100 psi (7 bar)	9.00" (22.9 cm)	6.5 lb (2.9 kg)
MD17A	Max-Matic Automatic	2.5" NH (65 mm)	Rigid Rocker Lug	100-500 gpm (400-2000 l/min) 80 psi (6 bar)	9.00" (22.9 cm)	6.5 lb (2.9 kg)
MD14A	Max-Flow Fixed Gallonage	2.5" NH (65 mm)	Rigid Rocker Lug	500 gpm (2000 l/min) 100 psi (7 bar)	9.00" (22.9 cm)	6.5 lb (2.9 kg)
MD22A	Max-Force Dual Pressure	2.5" BSP (65 mm)	Rigid Rocker Lug	100-500 gpm (400-2000 l/min) 100 psi (7 bar)/55 psi (4 bar)	9.00" (22.9 cm)	6.7 lb (3.0 kg)



**PORTABLE MONITOR FOAM ATTACHMENT**

The full line of foam attachments can be found in the Foam Equipment section.

MODEL	FITS NOZZLE	LENGTH	WEIGHT
FJ-MX-MD	Max-Series and ZN Series Industrial Nozzles	16.20" (41.1 cm)	4.6 lb (2.1 kg)



**VORTEX FOR PORTABLE MONITORS**

The full line of Vortex can be found in the Master Stream Nozzles Manual section.

MODEL	INLET	OUTLET	OPERATING SYSTEM	MAXIMUM PRESSURE	FLOW	LENGTH	WEIGHT
SVJ-NJNJ	2.5" NH (65 mm)	2.5" NH (65 mm)	MANUAL	300 psi (21 bar)	Up to 1250 gpm (up to 4500 l/min)	8.4" (21.3 cm)	5.5 lb (2.5 kg)



**SMOOTHBORE TIPS FOR PORTABLE MONITORS**

The full line of Smoothbore Tips can be found in the Master Stream Nozzles Manual section.

MODEL	INLET FEMALE	ORIFICE	LENGTH	WEIGHT
JSST10	2.5" NH (65 mm)	1-1/8" (29 mm) bore to 1.5" (38 mm) threaded male outlet	5.90" (15.0 cm)	1.8 lb (0.8 kg)
JSST11	2.5" NH (65 mm)	1-1/4" (32 mm) bore to 1.5" (38 mm) threaded male outlet	5.90" (15.0 cm)	1.8 lb (0.8 kg)
JSSTP-NF	1.5" NH (38 mm)	Smoothbore thread protector	0.88" (2.2 cm)	0.1 lb (0.1 kg)
MST-2NJ	2.5" NH (65 mm)	1-1/4", 1-1/8", and 1" (32 mm, 29 mm, and 25 mm)	9.63" (24.5 cm)	2.1 lb (1.0 kg)
MST-3NJ	2.5" NH (65 mm)	1-1/2", 1-1/4", and 1" (38, 32 and 25 mm)	11.80" (30.0 cm)	2.3 lb (1.0 kg)
MST-5NJ	2.5" NH (65 mm)	1-3/4", 1-1/2", and 1-3/8" (45 mm, 38 mm, and 35 mm)	11.70" (29.7 cm)	3.0 lb (1.4 kg)

**HEMISPHERE™ Packages**

HEMISPHERE Combination Packages combine the most often purchased components into a simple-to-order package. Contact TFT customer service for assistance.



*Product examples shown. See chart for specific product package combinations.*

HEMISPHERE PACKAGE MODEL	MONITOR	MOUNTING OPTION	NOZZLE
HPM-32-NJ	HPM111A HEMISPHERE MONITOR 2.5" NH INLET & OUTLET	HPM-A I-BEAM CLAMP 2" HITCH MOUNT	MD12A MAX-FORCE TIP 2.5" FEMALE
HPM-62-NJ	HPM111A HEMISPHERE MONITOR 2.5" NH INLET & OUTLET	HPM-H FLEX CLAMP 2" HITCH MOUNT	MD12A MAX-FORCE TIP 2.5" FEMALE
HPMG-32-NJ	HPMG111A HEMISPHERE MONITOR W/ GAUGE 2.5" NH INLET & OUTLET	HPM-A I-BEAM CLAMP 2" HITCH MOUNT	MD12A MAX-FORCE TIP 2.5" FEMALE



# MASTER STREAM & MONITOR NOZZLES

Fire departments around the globe need a hard hitting and long reaching water stream from their monitors and water cannons. However, each department operates at different flows and pressures in fixed, selectable and automatic nozzle styles. That's why TFT offers multiple options with easy adjustment and flush features built in.

MAX-SERIES™



**Max-Force  
MD12A  
MD22A  
MDP22A**

- Switch between standard and low pressure mode
- 120° wide fog
- Flush 3/8" (10 mm) debris without shutting down



**Max-Matic  
MD18A  
MD17A  
MD28A**

- 120° wide fog
- Flush 3/8" (10 mm) debris without shutting down
- Hardcoat anodized aluminum with rubber bumper

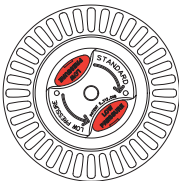


**Max-Flow  
MD14A**

MODEL	TYPE	INLET	COUPLING	FLOW	LENGTH	WEIGHT	EN CERTIFICATION
MD12A	Max-Force Dual Pressure	2.5" NH (65 mm)	Rigid Rocker Lug	100-500 gpm (400-2000 l/min) 100 psi (7 bar) / 55 psi (4 bar)	9.00" (22.9 cm)	6.7 lb (3.0 kg)	
MD18A	Max-Matic Automatic	2.5" NH (65 mm)	Rigid Rocker Lug	100-500 gpm (400-2000 l/min) 100 psi (7 bar)	9.00" (22.9 cm)	6.5 lb (2.9 kg)	
MD17A	Max-Matic Automatic	2.5" NH (65 mm)	Rigid Rocker Lug	100-500 gpm (400-2000 l/min) 80 psi (6 bar)	9.00" (22.9 cm)	6.5 lb (2.9 kg)	
MD14A	Max-Flow Fixed Gallonage	2.5" NH (65 mm)	Rigid Rocker Lug	500 gpm (2000 l/min) 100 psi (7 bar)	9.00" (22.9 cm)	6.5 lb (2.9 kg)	
MD22A	Max-Force Dual Pressure	2.5" BSP (65 mm)	Rigid Rocker Lug	100-500 gpm (400-2000 l/min) 100 psi (7 bar) / 55 psi (4 bar)	9.00" (22.9 cm)	6.7 lb (3.0 kg)	
MD28A	Max-Matic Automatic	2.5" BSP (65 mm)	Rigid Rocker Lug	100-500 gpm (400-2000 l/min) 100 psi (7 bar)	9.00" (22.9 cm)	6.5 lb (2.9 kg)	
MDP22A	Max-Force Dual Pressure	2.5" BSP (65 mm)	Rigid Rocker Lug	400-2000 l/min 7 bar/4 bar	9.00" (22.9 cm)	6.7 lb (3.0 kg)	EN15767-2 TYPE 4



**Knob In Standard Pressure Mode**



**Knob In Low Pressure Mode**

The Max-Force series nozzle features TFT's dual pressure knob. With a twist of the large knob on the front of the nozzle, the operating pressure may be switched between standard 100 psi (7 bar) and a low pressure mode 55 psi (4 bar).



**PORTABLE MONITOR FOAM ATTACHMENT**

The full line of foam attachments can be found in the Foam Equipment section.

MODEL	FITS NOZZLE	LENGTH	WEIGHT
FJ-MX-MD	Max-Series Nozzles	16.20" (41.1 cm)	4.6 lb (2.1 kg)

**MASTER FORCE™ SERIES**  
**AUTOMATIC 300-800 gpm (1100-3000 l/min)**

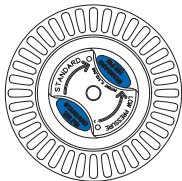
The TFT MASTER FORCE series gives a clean, far-reaching straight stream and the only dual pressure automatic nozzle with a flow range of 300-800 gpm (1100-3000 l/min). It is adjustable from straight stream to a dense fog pattern and flush without shutting down. MASTER FORCE series nozzles are suitable for use with foam.

- For use with TFT Crossfire, Radius, Hurricane, Flex and Monsoon 1250 monitors
- Dual pressure control 100/55 psi (7/4 bar)
- Continuously variable from straight stream to wide fog
- Molded rubber fog teeth with full fill power fog
- Accepts FJ-LX-M Low Expansion foam attachment



**MC12A**

MODEL	INLET	FLOW	OPERATING PRESSURE	LENGTH	WEIGHT
MC12A	2.5" NH (65 mm)	300-800 gpm (1100-3000 l/min)	100/55 psi (7/4 bar)	10.4" (26.4 cm)	9.5 lb (4.3 kg)



**Knob In Standard Pressure Mode**



**Knob In Low Pressure Mode**

The Master Force nozzle features TFT's dual pressure knob. With a twist of the large knob on the front of the nozzle, the operating pressure may be switched between standard 100 psi (7 bar) and a low pressure mode 55 psi (4 bar).



**PORTABLE MONITOR FOAM ATTACHMENT**

The full line of foam attachments can be found in the Foam Equipment section.

MODEL	FITS NOZZLE	LENGTH	WEIGHT
FJ-LX-M	Master Force Series	25.30" (64.3 cm)	6.4 lb (2.9 kg)

**VORTEX® 2 AND VORTEX® 3 MANUAL**

The TFT VORTEX® 2 and 3 enhances the use of a smoothbore nozzle. It is intended for installation behind a smoothbore nozzle for use with water, firefighting foam solutions or CAFS. Six short vanes in the bore of the VORTEX reduce turbulence in straight stream. Actuation from "STREAM" to "VORTEX" causes the vanes to pivot proportionally. This induces a gentle spin in the water to create a uniformly dispersed stream pattern at the exit of the smoothbore tip resulting in virtually no friction loss regardless of which stream pattern is selected. Lightweight hardcoat anodized aluminum for maximum resistance to corrosion and wear.

- For use on TFT Blitztac, Blitzfire, Hemisphere, Crossfire, Radius, Hurricane, Flex, and Monsoon 1250 monitors
- Uses a crank to actuate from "STREAM" to "VORTEX"
- Internal vanes allow larger debris to easily pass through the Vortex
- Unrestricted stream straightener
- Use with any Master Stream Smoothbore Tip



MODEL	INLET	OUTLET	OPERATING SYSTEM	MAXIMUM PRESSURE	FLOW	LENGTH	WEIGHT
SVJ-NJNJ	2.5" NH (65 mm)	2.5" NH (65 mm)	MANUAL	300 psi (21 bar)	up to 1250 gpm (up to 4500 l/min)	8.4" (21.3 cm)	5.5 lb (2.5 kg)
SVN-NNNN	3.5" NH (90 mm)	3.5" NH (90 mm)	MANUAL	300 psi (21 bar)	up to 2500 gpm (up to 9500 l/min)	9.0" (22.9 cm)	11.5 lb (5.2 kg)



**SMOOTHBORE TIPS**

Designed for monitor use, these lightweight tips are hardcoat anodized and have pressure/flow charts laser engraved on each tip. A swivel NH coupling is standard. See chart for orifice openings.

MODEL	INLET FEMALE	ORIFICE	LENGTH	WEIGHT
MST-3NJ	2.5" NH (65 mm)	1-1/2", 1-1/4", and 1" (38, 32 and 25 mm)	11.80" (30.0 cm)	2.3 lb (1.0 kg)
MST-3BJ-M*	2.5" BSP (65 mm)	38, 32, and 25 mm	11.8" (30.0 cm)	2.3 lb (1.0 kg)
MST-5NJ	2.5" NH (65 mm)	1-3/4", 1-1/2", and 1-3/8" (45 mm, 38 mm, and 35 mm)	11.70" (29.7 cm)	3.0 lb (1.4 kg)

\* Metric pressure/flow charts



**SMOOTHBORE STACKED TIPS**

**Four Orifice**

Designed for monitor use, these lightweight tips are hardcoat anodized, allow four orifice options in one, and have pressure/flow charts laser engraved on each tip. A swivel NH coupling is standard. See chart for orifice openings.

MODEL	INLET	ORIFICE OPENINGS	LENGTH	WEIGHT
MST-4NJ	2.5" NH (65 mm)	2", 1-3/4", 1-1/2", and 1-3/8" (52 mm, 45 mm, 38 mm and 35 mm)	16.9" (42.9 cm)	3.10 lb (1.40 kg)



**MASTER STREAM STACKED TIP**

**Four Orifice**

Four stacked tips designed for monitor use up to 2000 gpm (7600 l/min), these lightweight tips are hardcoat anodized, allow four orifice options, have a built in stream straightener and pressure/flow charts laser engraved on each tip.

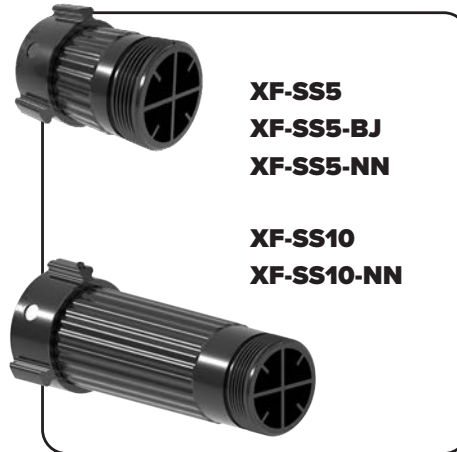
MODEL	INLET	ORIFICE OPENINGS	LENGTH	WEIGHT
YST-4NN	3.5" NH (90 mm)	2-3/4", 2-1/2", 2-1/4", and 2" (70 mm, 65 mm, 57 mm and 52 mm)	22.0" (55.9 cm)	10.7 lb (4.9 kg)



**STREAM STRAIGHTENER**

Extruded aluminum vanes straighten smoothbore streams to provide greater reach with less turbulence.

MODEL	RIGID FEMALE INLET	RIGID MALE OUTLET	LENGTH	WEIGHT
XF-SS5	2.5" NH (65 mm)	2.5" NH (65 mm)	5" (125 mm)	1.80 lb (0.80 kg)
XF-SS5-BJ	2.5" BSP (65 mm)	2.5" BSP (65 mm)	5" (125 mm)	1.80 lb (0.80 kg)
XF-SS5-NN	3.5" NH (90 mm)	2.5" NH (65 mm)	5" (125 mm)	4.6 lb (2.1 kg)
XF-SS10	2.5" NH (65 mm)	2.5" NH (65 mm)	10" (254 mm)	3.50 lb (1.90 kg)
XF-SS10-NN	3.5" NH (90 mm)	2.5" NH (65 mm)	10" (254 mm)	6.3 lb (2.9 kg)



**XF-SS5**  
**XF-SS5-BJ**  
**XF-SS5-NN**

**XF-SS10**  
**XF-SS10-NN**

**MASTER STREAM SERIES**  
**150-1000 gpm (600-3800 l/min)**

The TFT MASTER STREAM series gives a clean, far-reaching straight stream and the only dual pressure automatic nozzle with a flow range of 150-1000 gpm (600-4000 l/min). It is adjustable from straight stream to a dense fog pattern. MASTER STREAM series nozzles are suitable for use with foam. For use on TFT Crossfire, Radius, Hurricane, Flex, and Monsoon 1250 monitors.



**AUTOMATIC M-R1000-NJ**

- 150-1000 gpm (600-3800 l/min)
- Variable from straight stream to wide fog
- Halo ring for pattern control
- Molded rubber fog teeth with full fill power fog



**SELECTABLE M-RS1000-NJ**

- Five flow selections
- Nozzle must be shut down to change settings
- Rotate outer baffle to desired flow setting
- Variable from straight stream to wide fog
- Halo ring for pattern control
- Molded rubber fog teeth with full fill power fog



**FIXED M-RF1000-NJ**

- Factory preset fixed constant flow & pressure engraved on the baffle
- Variable from straight stream to wide fog
- Halo ring for pattern control
- Molded rubber fog teeth with full fill power fog

MODEL	INLET	OPERATING SYSTEM	FLOW	OPERATING PRESSURE	LENGTH	WEIGHT
M-R1000-NJ	2.5" NH (65 mm)	AUTOMATIC	150-1000 gpm (600-3800 l/min)	100 psi (7 bar)	10.0" (25.4 cm)	9.1 lb (4.1 kg)
M-RS1000-NJ	2.5" NH (65 mm)	SELECTABLE	250, 350, 500, 750, and 1000 gpm (950, 1300, 2000, 3000 and 4000 l/min)	100 psi (7 bar)	10.0" (25.4 cm)	9.1 lb (4.1 kg)
M-RF1000-NJ	2.5" NH (65 mm)	FIXED	Factory preset at the customer's specified K-factor 50 to 105 maximum. Must specify flow and pressure at time of order.		10.0" (25.4 cm)	8.3 lb (3.8 kg)



**PORTABLE MONITOR FOAM ATTACHMENT**

The full line of foam attachments can be found in the Foam Equipment section.

MODEL	FITS NOZZLE	LENGTH	WEIGHT
FJ-LX-M	Master Stream 1000 Series	25.30" (64.3 cm)	6.4 lb (2.9 kg)

**MASTER STREAM 1250S SERIES**

**150-1250 gpm (570-4700 l/min) Small Body**



**AUTOMATIC  
M-R1250S-NJ  
M-R1250S-BJ**

- For use on TFT Crossfire, Radius, Hurricane, Flex, and Monsoon 1250 monitors
- Continuously variable from straight stream to wide fog
- Molded rubber fog teeth with full fill power fog
- Halo ring for pattern control
- Accepts FJ-LX-M Low-Expansion foam attachment

The TFT MASTER STREAM series gives a clean, far-reaching straight stream with a flow range of 150-1250 gpm (570-4700 l/min). It is adjustable from straight stream to a dense fog pattern. MASTER STREAM series nozzles are suitable for use with foam.

MODEL	INLET	OPERATING SYSTEM	FLOW	OPERATING PRESSURE	LENGTH	WEIGHT	EN CERTIFICATION
M-R1250S-NJ	2.5" NH (65 mm)	AUTOMATIC	150-1250 gpm (570-4700 l/min)	100 psi (7 bar)	10.0" (25.4 cm)	10.4 lb (4.7 kg)	
M-R1250S-BJ	2.5" BSP (65 mm)	AUTOMATIC	150-1250 gpm (570-4700 l/min)	100 psi (7 bar)	10.0" (25.4 cm)	10.4 lb (4.7 kg)	
MP-R1250S-BJ	2.5" BSP (65 mm)	AUTOMATIC	150-1250 gpm (570-4700 l/min)	100 psi (7 bar)	10.0" (25.4 cm)	10.4 lb (4.7 kg)	EN15767-2 TYPE 4



**PORTABLE MONITOR FOAM ATTACHMENT**

The full line of foam attachments can be found in the Foam Equipment section.

MODEL	FITS NOZZLE	LENGTH	WEIGHT
FJ-LX-M	Master Stream 1250S Series	25.30" (64.3 cm)	6.4 lb (2.9 kg)

**MASTER STREAM 1250 SERIES**  
**300-1250 Gpm (1100-4500 l/min) Large Body**

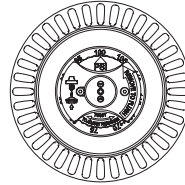
The Master Stream 1250 has the ability to produce an excellent hard-hitting stream at any volume from 300 to 1250 gpm (1100 - 4500 l/min). It is adjustable from a straight stream to a dense fog pattern. This nozzle features TFT's exclusive pressure adjustment knob. With a twist of the large knob on the front of the nozzle, operating pressure can be immediately adjusted to tactile detent settings between 70 and 120 psi (4.8 and 8.3 bar).

At pressures other than 100 psi, maximum flow is determined by K-factor of 125. Applications include truck mounted deluge devices, aerials, fireboats, industrial applications, or where a flow of 300 - 1250 gpm (1100 - 4500 l/min) is necessary or desired. Suitable for use with foam and accepts the FJ-LX-M3 FOAMJET low expansion air aspirating attachment



**AUTOMATIC  
M-R1250-NJ**

- For use on TFT Hurricane, Radius, Flex, and Monsoon 1250 monitors
- Continuously variable from straight stream to wide fog
- Molded rubber fog teeth with full fill power fog
- Halo ring for pattern control
- Accepts FJ-LX-M3 Low-Expansion foam attachment



*This nozzle features TFT's exclusive pressure adjustment knob. With a twist of the large knob on the front of the nozzle, operating pressure can be immediately adjusted to tactile detent settings between 70 and 120 psi (4.8 and 8.3 bar). At pressures other than 100 psi, maximum flow is determined by K-factor of 125.*

MODEL	INLET	OPERATING SYSTEM	FLOW	OPERATING PRESSURE	LENGTH	WEIGHT
M-R1250-NJ	2.5" NH (65 mm)	AUTOMATIC	300-1250 gpm (1100-4500 l/min)	70-120 psi (4.8-8.3 bar)	12.9" (32.8 cm)	13.6 lb (6.2 kg)



**FIXED AND RC MONITOR FOAM ATTACHMENT**

*The full line of foam attachments can be found in the Foam Equipment section.*

MODEL	FITS NOZZLE	LENGTH	WEIGHT
FJ-LX-M3	Master Stream 1250 Large Body	29.90" (76.0 cm)	10.9 lb (4.94 kg)

**MASTER STREAM 1500 SERIES**  
**300-1500 gpm (1100-6000 l/min)**

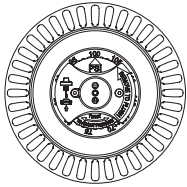
The Master Stream 1500 has the ability to produce an excellent hard-hitting stream at any volume from 300 gpm to 1500 gpm (1100 - 6000 l/min). It is adjustable from a straight stream to a dense fog pattern. This nozzle features TFT's exclusive pressure adjustment knob. With a twist of the large knob on the front of the nozzle, operating pressure can be immediately adjusted to tactile detent settings between 70 and 120 psi (4.8 and 8.3 bar). At pressures other than 100 psi, maximum flow is determined by K-factor of 150. Applications include truck mounted deluge devices, aerials, fireboats, industrial applications, or where a flow of 300 - 1500 gpm (1100 - 6000 l/min) is necessary or desired.



**AUTOMATIC**  
**M-R1500-NL**  
**M-R1500-NN**

- For TFT Hurricane, Radius, Typhoon, Flex, and Monsoon monitors
- With a twist of the large knob on the front of the nozzle, constant operating pressure can be immediately adjusted to tactile detent settings between 70 and 120 psi (4.8 and 8.3 bar)
- Continuously variable from straight stream to wide fog
- Molded rubber fog teeth with full fill power fog
- Halo ring for pattern control
- Accepts FJ-LX-M3 Low Expansion foam attachment

MODEL	INLET	OPERATING SYSTEM	FLOW	OPERATING PRESSURE	LENGTH	WEIGHT
M-R1500-NL	3.0" NH (75 mm)	AUTOMATIC	300 - 1500 gpm (1100 - 6000 l/min)	70 - 120 psi (4.8 - 8.3 bar)	12.0" (32.0 cm)	15.1 lb (6.8kg)
M-R1500-NN	3.5" NH (90 mm)	AUTOMATIC	300 - 1500 gpm (1100 - 6000 l/min)	70 - 120 psi (4.8 - 8.3 bar)	12.0" (32.0 cm)	14.4 lb (6.5 kg)



*This nozzle features TFT's exclusive pressure adjustment knob. With a twist of the large knob on the front of the nozzle, operating pressure can be immediately adjusted to settings between 70 and 120 psi (4.8 and 8.3 bar). At pressures other than 100 psi, maximum flow is determined by K-factor of 150.*

**MASTER STREAM 2000 SERIES**  
**300-2000 gpm (1100-7600 l/min)**

The Master Stream 2000 has the ability to produce an excellent hard-hitting stream at any volume from 300 gpm to 2000 gpm (1100 - 7600 l/min). It is adjustable from a straight stream to a dense fog pattern. The recently redesigned nozzles are substantially shorter and lighter than their predecessors. With a twist of the knob on the front of the nozzle, operating pressure can be immediately adjusted between 80 and 120 psi (5.5 and 8.0 bar). At pressures other than 100 psi, maximum flow is determined by K-factor of 230. Applications include truck mounted deluge devices, aerials, fireboats, industrial applications, or where a flow of 300 - 2000 gpm (1100 - 7600 l/min) is necessary or desired.



**AUTOMATIC**  
**M-R2000-NN**

- For use on TFT Typhoon, Flex, and Monsoon monitors
- With a twist of the large knob on the front of the nozzle, constant operating pressure can be immediately adjusted to settings between 80 and 120 psi (5.5 and 8.0 bar)
- Continuously variable from straight stream to wide fog
- Molded rubber fog teeth with full fill power fog
- Halo ring for pattern control

MODEL	INLET	OPERATING SYSTEM	FLOW	OPERATING PRESSURE	LENGTH	WEIGHT
M-R2000-NN	3.5" NH (90 mm)	AUTOMATIC	300 - 2000 gpm (1100 - 7600 l/min)	80-120 psi (5.5-8.0 bar)	12.1" (30.7 cm)	18.7 lb (8.5 kg)

**INDUSTRIAL  
ZN FIXED NOZZLE**

The TFT fixed gpm water nozzle is a simple and rugged industrial nozzle with superior stream quality and reach. This fixed gallonage fog nozzle rated at 100 psi (7 bar) is available with your choice of 250, 350, 500, 750 gpm (950, 1300, 2000, 3000 l/min). Fog angle is user adjustable between 120° wide fog and straight stream. The nozzle’s baffle can be removed with a wrench for flushing debris. The standard inlet is 2.5" NH or BSP (65 mm) female thread. The simple and basic design requires minimal maintenance. The ZN series has UV resistant rubber bumper and is hardcoat anodized aluminum.



- ZN10A**
- ZN11A**
- ZN12A**
- ZN13A**
- ZN14A**
- ZN22A**

- Rubber bumper

MODEL	THREAD (RIGID)	FLOW	LENGTH	WEIGHT
ZN10A	2.5"-7.5 NH FEMALE	250 gpm @ 100 psi — K-factor = 25 (950 l/min @ 7 bar)	6.00" (15.20 cm)	4.50 lb (2.00 kg)
ZN11A	2.5"-7.5 NH FEMALE	350 Gpm @ 100 PSI — K-factor = 35 (1300 l/min @ 7 bar)	6.00" (15.20 cm)	4.50 lb (2.00 kg)
ZN12A	2.5"-7.5 NH FEMALE	500 Gpm @ 100 PSI — K-factor = 50 (2000 l/min @ 7 bar)	6.00" (15.20 cm)	4.50 lb (2.00 kg)
ZN13A	2.5"-7.5 NH FEMALE	750 Gpm @ 100 PSI - K-factor = 75 (3000 l/min @ 7 bar)	6.00" (15.20 cm)	4.50 lb (2.00 kg)
ZN14A	2.5"-7.5 NH FEMALE	User Specified K-factor = 15 - 75 Must specify at time of order	6.00" (15.20 cm)	4.50 lb (2.00 kg)
ZN22A	2.5"-11 BSP FEMALE	500 Gpm @ 100 PSI — K-factor = 50 (2000 l/min @ 7 bar)	6.00" (15.20 cm)	4.50 lb (2.00 kg)



**PORTABLE MONITOR FOAM ATTACHMENT**

The full line of foam attachments can be found in the Foam Equipment section.

MODEL	FITS NOZZLE	LENGTH	WEIGHT
FJ-MX-MD	ZN Series Industrial Nozzles	16.20" (41.1 cm)	4.6 lb (2.1 kg)

**INDUSTRIAL**


**ZM and ZO Series FIXED NOZZLE**

The ZM & ZO Series are hardcoat anodized and powder coated aluminum. The ZO Series features 3.5" NH thread and folding handles for ease of moving stream shaper, with a locking ring to set the nozzle at a desired fog pattern position. The fixed flow nozzle can be used with water or premixed foam solution.



**ZM141**


- Large ribs for stream pattern adjustment

MODEL	THREAD (RIGID)	FLOW	LENGTH	WEIGHT
ZM141 	2.5"-7.5 NH FEMALE	1250 Gpm @ 100 PSI — K-factor 125 (4750 l/min @ 7 bar)	8.80" (22.40 cm)	7.20 lb (3.30 kg)
ZM111	2.5"-7.5 NH FEMALE	500 GPM @ 100 PSI - K-factor 50 (2000 l/min @ 7 bar)	8.80" (22.40 cm)	7.20 lb (3.30 kg)



**ZO14**

- Folding handles for stream adjustment
- Locking ring for stream pattern position

MODEL	THREAD (RIGID)	FLOW	LENGTH	WEIGHT
ZO14 	3.5"-6 NH FEMALE	2000 Gpm @ 100 PSI - K-factor = 200 (7500 l/min @ 7 bar)	11.60" (29.5 cm)	22.00 lb (10.0 kg)





**ULTIMATIC™ SERIES**

**10-125 Gpm (40-500 l/min) Automatic**

Electrically operated pattern control for use on remote applications. The rugged, aluminum drive is totally enclosed and waterproof. The 12 to 24 volt drive unit draws 3 amps. There is a manual override if the electrical power fails. Water pattern adjusts from straight stream to a 120° wide fog. The nozzle can flush 3/8" (9.5 mm) debris without shutting down. Nozzle and actuator are hardcoat anodized aluminum for maximum resistance to corrosion and wear. Tip does not shut-off.

When ordering a nozzle for use on TFT RC monitors, order plug version (ERP). ERP versions are equipped with SMART STREAM technology. This technology utilizes a position encoder in the nozzle actuator to give the user greater control of the stream pattern, especially at FOG position. Nozzles equipped with a FLUSH

position are programmed to stop and pause at full FOG position when moving towards the FLUSH position, preventing excessive water flow. A second press of the button will cause the nozzle shaper to continue to move to flush position for removing debris from nozzle. Delivered with a waterproof plug connection for seamless integration with TFT's Tornado RC and EF1 RC monitors.



- For use on TFT Tornado RC and EF1 RC monitor
- Flush without shutting down
- Molded rubber fog teeth with full fill power fog
- Accepts both FJ-U low-expansion and FJ-UMX FOAMJET multi-expansion foam attachments

MODEL	INLET	FLOW	OPERATING PRESSURE	SMART STREAM TECHNOLOGY	LENGTH	WEIGHT
B-TO-ERP	1.5" NH (38 mm)	10-125 gpm (40-500 l/min)	100 psi (7 bar)	YES	10.25" (26.0 cm)	5.8 lb (2.6 kg)
BL-TO-ERP	1.5" NH (38 mm)	10-125 gpm (40-500 l/min)	75 psi (5 bar)	YES	10.25" (26.0 cm)	5.8 lb (2.6 kg)
B-TO-ERP-120	1.5" NH (38 mm)	10-125 gpm (40-500 l/min)	120 psi (8 bar)	YES	10.25" (26.0 cm)	5.8 lb (2.6 kg)

Note: When installing Ultimatic nozzle on EF1 RC monitor, please request longer nozzle cable when ordering.

**ULTIMATIC™ SERIES**

**15-120 Gpm (50-450 l/min) Selectable**



- For use on TFT Tornado RC and EF1 RC monitor
- Flush without shutting down
- Molded rubber fog teeth with full fill power fog
- Accepts both FJ-U low-expansion and FJ-UMX FOAMJET multi-expansion foam attachments

MODEL	INLET	FLOW	OPERATING PRESSURE	SMART STREAM TECHNOLOGY	LENGTH	WEIGHT
B-TOS-ERP	1.5" NH (38 mm)	15-120 gpm (60-450 l/min)	100 psi (7 bar)	YES	9.9" (25.1 cm)	5.9 lb (2.7 kg)

Note: When installing Ultimatic nozzle on EF1 RC monitor, please request longer nozzle cable when ordering.

**ULTIMATIC FOAM ATTACHMENTS**

The full line of foam attachments can be found in the Foam Equipment section.



MODEL	FITS NOZZLE	FRONT END	DIAMETER	LENGTH	WEIGHT
FJ-U	Ultimatic	Flexible Rubber	3.6" (9.1 cm)	9.75" (24.8 cm)	1.2 lb (0.5 kg)
FJ-UMX	Ultimatic	Polypropylene	7.4" (18.8 cm)	15.25" (38.7 cm)	3.2 lb (1.5 kg)

**MID-MATIC™ SERIES**

**70 - 200 Gpm (260-760 l/min) Automatic**



- For use on TFT Tornado RC and EF1 RC monitor
- Flush without shutting down
- Molded rubber fog teeth with full fill power fog
- Accepts FJ-HM, FJ-LX-HM low-expansion and FJ-MX-HM FOAMJET multi-expansion foam attachments

MODEL	INLET	FLOW	OPERATING PRESSURE	SMART STREAM TECHNOLOGY	LENGTH	WEIGHT
HM-TO-ERP	1.5" NH (38 mm)	70-200 gpm (260-760 l/min)	100 psi (7 bar)	YES	9.7" (24.6 cm)	6.5 lb (2.9 kg)

Note: When installing Mid-Matic nozzle on EF1 RC monitor, please request longer nozzle cable when ordering.



**MID-MATIC AND MID-FORCE FOAM ATTACHMENTS**

The full line of foam attachments can be found in the Foam Equipment section.

MODEL	FITS NOZZLE	FRONT END	DIAMETER	LENGTH	WEIGHT
FJ-HM	Mid-Matic and Mid-Force	Flexible Rubber	5.2" (13.2 cm)	8.50" (21.6 cm)	2.6 lb (1.2 kg)
FJ-LX-HM	Mid-Matic and Mid-Force	Polyethylene	5.8" (14.6 cm)	20.20" (51.3 cm)	3.0 lb (1.4 kg)
FJ-MX-HM	Mid-Matic and Mid-Force	Polypropylene	7.4" (18.8 cm)	15.40" (39.1 cm)	3.2 lb (1.5 kg)

**ER BUBBLE CUP®**

**Dual Gallonage Foam Aspirating**



- For use on TFT EF1 RC monitor only
- Integrated nozzle shut-off
- Quick change between low/high flow and straight stream and wide fog
- Integrated retractable Bubble Cup aspirating sleeve

MODEL	INLET	FLOW	OPERATING PRESSURE	SMART STREAM TECHNOLOGY	LENGTH	WEIGHT
F2060BCER	1.5" NH (38 mm)	20 and 60 gpm (75 and 230 l/min)	100 psi (7 bar)	YES	11.4" (29.0 cm)	5.7 lb (2.6 kg)
F2095BCER	1.5" NH (38 mm)	20 and 95 gpm (75 and 360 l/min)	100 psi (7 bar)	YES	11.4" (29.0 cm)	5.7 lb (2.6 kg)



**MAX-FORCE™**  
**100 - 500 Gpm (400-2000 l/min)**  
**Dual Pressure Automatic**



**MD-ERP-12A**  
**10.2 lbs (4.6 kg)**  
**10.2" (25.9 cm)**

- For use on TFT Tornado RC, Hurricane RC, and Monsoon 1250 RC. Dual pressure control 100/55 psi (7/4 bar) nozzle
- 2.5" NH (65 mm) swivel rocker lug coupling is standard
- Molded rubber fog teeth with full fill power fog
- Accepts FJ-MX-MD multi-expansion foam attachment

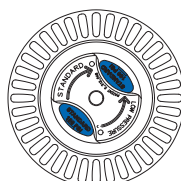
**MAX-MATIC™**  
**100 - 500 Gpm (400-2000 l/min) Automatic**



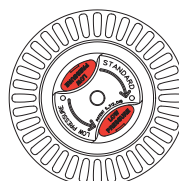
**MD-ERP-18A**  
**10.0 lbs (4.5 kg)**  
**10.2" (25.9 cm)**

- For use on TFT Tornado RC, Hurricane RC, and Monsoon 1250 RC. Standard 100 psi (7 bar) nozzle
- Molded rubber fog teeth with full fill power fog
- Accepts FJ-MX-MD multi-expansion foam attachment

When ordering a nozzle for use on TFT RC monitors, order a plug version (ERP). ERP versions are equipped with SMART STREAM technology. This technology utilizes a position encoder in the nozzle actuator to give the user greater control of the stream pattern, especially around FOG position. Delivered with a waterproof plug connection for seamless integration with TFT's Tornado RC, Hurricane RC, or Monsoon 1250 RC Monitor.



Knob In Standard Pressure Mode



Knob In Low Pressure Mode

The Max-Force nozzle features TFT's dual pressure knob. With a twist of the large knob on the front of the nozzle, the operating pressure may be switched between standard 100 psi (7 bar) and a low pressure mode 55 psi (4 bar).

MODEL	INLET (SWIVEL)	FLOW	OPERATING PRESSURE	LENGTH	WEIGHT
MD-ERP12A	2.5" (65 mm) NH FEMALE	100-500 gpm (400-2000 l/min)	55/100 PSI (4/7 bar)	10.2" (25.9 cm)	10.2 lbs (4.6 kg)
MD-ERP18A	2.5" (65 mm) NH FEMALE	100-500 gpm (400-2000 l/min)	100 PSI (7 bar)	10.2" (25.9 cm)	10.0 lbs (4.5 kg)
MD-ERP-28A	2.5" (65 mm) BSP FEMALE	100-500 gpm (400-2000 l/min)	100 PSI (7 bar)	10.2" (25.9 cm)	10.0 lbs (4.5 kg)



**MAX-FORCE AND MAX-MATIC FOAM ATTACHMENT**

The full line of foam attachments can be found in the Foam Equipment section.

MODEL	FITS NOZZLE	LENGTH	WEIGHT
FJ-MX-MD	Max-Series Nozzles	16.20" (41.1 cm)	4.6 lb (2.1 kg)

**MASTER STREAM 1000 SERIES ELECTRIC REMOTE**  
**250-1000 gpm (950-3800 l/min) Selectable**



The TFT Master Stream 1000 series gives a clean, far-reaching straight stream. It is adjustable from straight stream to a dense fog pattern. The selectable gallonage nozzle has five selectable gallonage settings. All Master Stream series nozzles are suitable for use with foam and accept the FJ-LX-M FOAMJET low expansion air aspirating attachment.

When ordering a nozzle for use on TFT RC monitors, order a plug version ERP or ERSP. These versions are equipped with SMART STREAM technology. This technology utilizes a position encoder in the nozzle actuator to give the user greater control of the stream pattern, especially around FOG position. Delivered with a waterproof plug connection for seamless integration with TFT's Hurricane RC and Monsoon 1250 RC monitors.



- For use with TFT Hurricane RC, Flex RC, and Monsoon 1250 RC monitors
- Continuously variable from straight stream to wide fog
- Molded rubber fog teeth with full fill power fog
- Accepts FJ-LX-M Low Expansion foam attachment

MODEL	INLET	FLOW	OPERATING PRESSURE	SMART STREAM TECHNOLOGY	LENGTH	WEIGHT
MERSP1000-NJ	2.5" NH (65 mm)	250, 350, 500, 750, and 1000 gpm (950, 1300, 1900, 3000 and 3800 l/min)	100 psi (7 bar)	YES	12.0" (30.5 cm)	13.7 lb (6.2 kg)

**MASTER STREAM 1000 SERIES ELECTRIC REMOTE**  
**150-1000 gpm (570-3800 l/min) Automatic**



- For use with TFT Hurricane RC, Flex RC, and Monsoon RC monitors
- Continuously variable from straight stream to wide fog
- Molded rubber fog teeth with full fill power fog
- Accepts FJ-LX-M Low Expansion foam attachment

The TFT Master Stream 1000 series gives a clean, far-reaching straight stream. It is adjustable from straight stream to a dense fog pattern. The automatic series provides a constant nozzle pressure over a wide flow range and good stream quality. All Master Stream series nozzles are suitable for use with foam and accept the FJ-LX-M FOAMJET low expansion air aspirating attachment.

*When ordering a nozzle for use on TFT RC monitors, order a plug version (ERP). ERP versions are equipped with SMART STREAM technology. This technology utilizes a position encoder in the nozzle actuator to give the user greater control of the stream pattern, especially around FOG position. Delivered with a waterproof plug connection for seamless integration with TFT's Hurricane RC, Flex RC, and Monsoon RC monitors.*

MODEL	INLET	FLOW	OPERATING PRESSURE	SMART STREAM TECHNOLOGY	LENGTH	WEIGHT
M-ERP1000-NJ	2.5" NH (65 mm)	150-1000 gpm (570-3800 l/min)	100 psi (7 bar)	YES	12.0" (30.5 cm)	13.7 lb (6.2 kg)
M-ERP1000-BJ	2.5" BSP (65 mm)	150-1000 gpm (570-3800 l/min)	100 psi (7 bar)	Yes	12.0" (30.5 cm)	13.7 lb (6.2 kg)

**MASTER FORCE FOAM ATTACHMENT**

The full line of foam attachments can be found in the Foam Equipment section.



MODEL	FITS NOZZLE	LENGTH	WEIGHT
FJ-LX-M	Master Stream 1000 Series	25.30" (64.3 cm)	6.4 lb (2.9 kg)

**MASTER STREAM 1250S SERIES ELECTRIC REMOTE**  
**150-1250 gpm (570-4700 l/min) Small Body Automatic**



The TFT Master Stream 1250S series gives a clean, far-reaching straight stream. It is adjustable from straight stream to a dense fog pattern. Master Stream 1250S series nozzles are suitable for use with foam.

TFT's electric remote nozzles versions are equipped with SMART STREAM technology. This technology utilizes a position encoder in the nozzle actuator to give the user greater control of the stream pattern, especially around FOG position. Delivered with a waterproof plug connection for seamless integration with TFT's Hurricane RC, Flex RC, and Monsoon 1250 RC monitors.



- For use with TFT Hurricane RC, Flex RC and Monsoon 1250 RC monitors
- Continuously variable from straight stream to wide fog
- Molded rubber fog teeth with full fill power fog
- Accepts FJ-LX-M Low Expansion foam attachment

MODEL	INLET	FLOW	OPERATING PRESSURE	SMART STREAM TECHNOLOGY	LENGTH	WEIGHT
M-ERP1250SNJ	2.5" NH (65 mm)	150-1250 gpm (570-4700 l/min)	100 psi (7 bar)	Yes	12.0" (30.5 cm)	13.7 lb (6.2 kg)
M-ERP1250SBJ	2.5" BSP (65 mm)	150-1250 gpm (570-4700 l/min)	100 psi (7 bar)	Yes	12.0" (30.5 cm)	13.7 lb (6.2 kg)



**MASTER FORCE FOAM ATTACHMENT**

*The full line of foam attachments can be found in the Foam Equipment section.*

MODEL	FITS NOZZLE	LENGTH	WEIGHT
FJ-LX-M	Master Stream 1250S Series	25.30" (64.3 cm)	6.4 lb (2.9 kg)

**MASTER STREAM 1250 SERIES ELECTRIC REMOTE**  
**300-1250 gpm (1100-4500 l/min) Large Body Automatic**

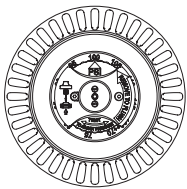


TFT's electric remote nozzles are equipped with SMART STREAM technology. This technology utilizes a position encoder in the nozzle actuator to give the user greater control of the stream pattern, especially around FOG position. Delivered with a waterproof plug connection for seamless integration with TFT's Hurricane RC, Typhoon RC and Monsoon RC monitors.



- For TFT Hurricane RC, Typhoon RC, and Monsoon RC monitors
- Operating pressure can be immediately adjusted to tactile detent settings between 70 and 120 psi (4.8 and 8.3 bar)
- Continuously variable from straight stream to wide fog
- Molded rubber fog teeth with full fill power fog
- Accepts FJ-LX-M3 Low Expansion foam attachment

MODEL	INLET	FLOW	OPERATING PRESSURE	SMART STREAM TECHNOLOGY	LENGTH	WEIGHT
M-ERP1250-NJ	2.5" NH (65 mm)	300-1250 gpm (1100-4500 l/min)	70-120 psi (4.8-8.3 bar)	YES	13.0" (33.0 cm)	18.4 lb (8.3 kg)
M-ERP1250-NN	3.5" NH (90 mm)	300-1250 gpm (1100-4500 l/min)	70-120 psi (4.8-8.3 bar)	YES	12.0" (30.5 cm)	17.3 lb (7.8 kg)



*This nozzle features TFT's exclusive pressure adjustment knob. With a twist of the large knob on the front of the nozzle, operating pressure can be immediately adjusted to settings between 70 and 120 psi (4.8 and 8.3 bar). At pressures other than 100 psi, maximum flow is determined by K-factor of 125.*



**FIXED AND RC MONITOR FOAM ATTACHMENT**

*The full line of foam attachments can be found in the Foam Equipment section.*

MODEL	FITS NOZZLE	LENGTH	WEIGHT
FJ-LX-M3	Master Stream 1250 Large Body	29.90" (76.0 cm)	10.9 lb (4.94 kg)

**MASTER STREAM 1500 SERIES ELECTRIC REMOTE**  
**300-1500 gpm (1100-6000 l/min) Automatic**

Electrically operated pattern control for use on remote applications.

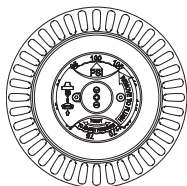
The rugged, aluminum drive is totally enclosed and waterproof. The 12 to 24 volt drive unit draws 3 amps. There is a manual override if the electrical power fails. Nozzle and actuator are hardcoat anodized aluminum for maximum resistance to corrosion and wear. Tip does not shut off.

TFT's electric nozzles are equipped with SMART STREAM technology. This technology utilizes a position encoder in the nozzle actuator to give the user greater control of the stream pattern, especially around FOG position. Delivered with a waterproof plug connection for seamless integration with TFT's Hurricane RC, Typhoon RC and Monsoon RC monitors.



- For TFT Hurricane RC, Typhoon RC, and Monsoon RC monitors
- With a twist of the large knob on the front of the nozzle, constant operating pressure can be immediately adjusted to tactile detent settings between 70 and 120 psi (4.8 and 8.3 bar)
- Continuously variable from straight stream to wide fog
- Molded rubber fog teeth with full fill power fog
- Accepts FJ-LX-M3 Low Expansion foam attachment

MODEL	INLET	FLOW	OPERATING PRESSURE	SMART STREAM TECHNOLOGY	LENGTH	WEIGHT
M-ERP1500-NN	3.5" NH (90 mm)	300-1500 gpm (1100-6000 l/min)	70-120 psi (4.8-8.3 bar)	YES	12.0" (32.0 cm)	17.3 lb (7.8 kg)



*This nozzle features TFT's exclusive pressure adjustment knob. With a twist of the large knob on the front of the nozzle, operating pressure can be immediately adjusted to tactile detent settings between 70 and 120 psi (4.8 and 8.3 bar). At pressures other than 100 psi, maximum flow is determined by K-factor of 150.*



**FIXED AND RC MONITOR FOAM ATTACHMENT**

The full line of foam attachments can be found in the Foam Equipment section.

MODEL	FITS NOZZLE	LENGTH	WEIGHT
FJ-LX-M3	Master Stream 1500 Large Body	29.90" (76.0 cm)	10.9 lb (4.94 kg)

**MASTER STREAM 2000 SERIES ELECTRIC REMOTE**  
**300-2000 gpm (1100-7600 l/min) Automatic**

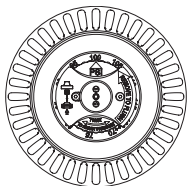
The rugged, aluminum drive is totally enclosed and waterproof. The 12 to 24 volt drive unit draws 3 amps. There is a manual override if the electrical power fails. Nozzle and actuator are hardcoat anodized aluminum for maximum resistance to corrosion and wear. Tip does not shut off.

TFT's electric nozzles are equipped with SMART STREAM technology. This technology utilizes a position encoder in the nozzle actuator to give the user greater control of the stream pattern, especially around FOG position. Delivered with a waterproof plug connection for seamless integration with TFT's Typhoon RC and Monsoon RC monitors.



- For use with TFT Typhoon RC and Monsoon RC monitors
- Nozzle pressure adjustable between 80 and 120 psi (5.5 and 8.3 bar)
- Continuously variable from straight stream to wide fog
- Molded rubber fog teeth with full fill power fog

MODEL	INLET	FLOW	OPERATING PRESSURE	SMART STREAM TECHNOLOGY	LENGTH	WEIGHT
M-ERP2000-NN	3.5" NH (90 mm)	300 - 2000 gpm (1100 - 7600 l/min)	80-120 psi (5.5-8.3 bar)	YES	12.1" (30.7 cm)	22.3 lb (10.1 kg)



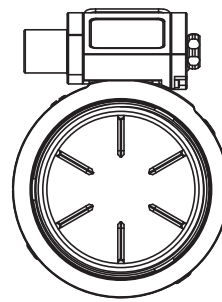
*This nozzle features TFT's exclusive pressure adjustment knob. With a twist of the large knob on the front of the nozzle, operating pressure can be immediately adjusted to tactile detent settings between 80 and 120 psi (4.8 and 8.3 bar). At pressures other than 100 psi, maximum flow is determined by K-factor of 230.*



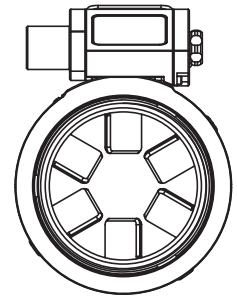
**VORTEX® 2ER AND VORTEX® 3ER ELECTRIC REMOTE**

The TFT VORTEX® 2 and 2ER enhances the use of a smoothbore nozzle. It is intended for installation behind a smoothbore nozzle for use with water, firefighting foam solutions or CAFS. Six short vanes in the bore of the VORTEX reduce turbulence in straight stream. Actuation from "STREAM" to "VORTEX" causes the vanes to pivot proportionally. This induces a gentle spin in the water to create a uniformly dispersed stream pattern at the exit of the smoothbore tip resulting in virtually no friction loss regardless of which stream pattern is selected. Lightweight hardcoat anodized aluminum for maximum resistance to corrosion and wear.

**VORTEX Vane Positions**



**Straight Stream**



**Dispersed Pattern**



**SVJE-NJNJ**  
**SVJE-NNNJ**

- For use on TFT Hurricane RC, Typhoon RC, Flex RC, and Monsoon RC monitors
- Electric Remote control with a manual override to actuate from "STREAM" to "VORTEX"
- Internal vanes allow larger debris to easily pass through the Vortex
- Unrestricted stream straightener
- Use with any Master Stream Smoothbore Tip

MODEL	INLET	OUTLET	OPERATING SYSTEM	MAXIMUM PRESSURE	FLOW	LENGTH	WEIGHT
SVJE-NJNJ	2.5" NH (65 mm)	2.5" NH (65 mm)	ELECTRIC REMOTE	300 psi (21 bar)	Up to 1250 gpm (up to 4500 l/min)	8.4" (21.3 cm)	7.9 lb (3.6 kg)
SVJE-NNNJ	3.5" NH (90 mm)	2.5" NH (65 mm)	ELECTRIC REMOTE	300 psi (21 bar)	Up to 1250 gpm (up to 4500 l/min)	9.0" (22.9 cm)	13.9 lb (6.3 kg)
SVNE-NNNN	3.5" NH (90 mm)	3.5" NH (90 mm)	ELECTRIC REMOTE	300 psi (21 bar)	Up to 2500 gpm (up to 9500 l/min)	9.0" (22.9 cm)	12 lb (5.4 kg)

**SMOOTHBORE STACKED TIP FOR FIXED AND RC MONITORS WITH VORTEX**

The full line of Smoothbore Stacked Tips can be found in the Master Stream Nozzles Manual section.



MODEL	INLET	ORIFICE OPENINGS	LENGTH	WEIGHT
MST-4NJ	2.5" NH (65 mm)	2", 1-3/4", 1-1/2", and 1-3/8" (52 mm, 45 mm, 38 mm and 35 mm)	16.90" (42.9 cm)	3.10 lb (1.40 kg)
MST-4NN	3.5" NH (90 mm)	2", 1-3/4", 1-1/2", and 1-3/8" (52 mm, 45 mm, 38 mm and 35 mm)	18.90" (48.0 cm)	5.6 lb (2.5 kg)
YST-4NN	3.5" NH (90 mm)	2-3/4", 2-1/2", 2-1/4", and 2" (70 mm, 65 mm, 57 mm and 52 mm)	22.0" (55.9 cm)	10.7 lb (4.9 kg)

**TSUNAMI™ STACKED TIPS**

**4 Orifice**

Designed for Tsunami monitor use up to 8,000 gpm (30,000 l/min), these stacked tips are hardcoat anodized, allow four orifice options, have a built in stream straightener and pressure/flow charts labeled on each tip. Quick connect inlet coupling for Tsunami monitor.

MODEL	INLET	ORIFICE OPENINGS	LENGTH	WEIGHT
YST-8NX	7" Tsunami Quick Connect	5-1/8", 4-1/2", 4", and 3-1/2" (130 mm, 114 mm, 100 mm and 90 mm)	44.2" (112.3 cm)	37.7 lb (17.1 kg)



**YST-8NX**

- Quick connect inlet
- Built in stream straightener
- Removable straight section for Vortex 6ER installation

**VORTEX® 6ER ELECTRIC REMOTE**



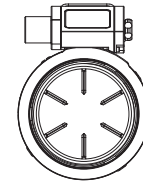
**SVXE**

**19.90 lbs (9.0 kg)**  
**11.00" Long (27.9 cm)**

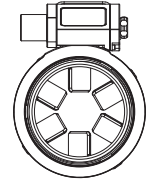
- 6" NHF (150 mm) inlet
- 6" NHM (150 mm) outlet
- Replaces straight section of YST-8NX stacked tips

Designed for monitor use up to 8,000 gpm (30,000 l/min), it is intended for installation behind the Tsunami smoothbore nozzles for use with water or fire fighting foam solutions. Six short vanes in the bore of the Vortex reduce turbulence in straight stream. Actuating from "STREAM" to "VORTEX" causes the vanes to pivot proportionally. This induces a gentle spin in the water to create a uniformly dispersed Vortex stream pattern, resulting in virtually no friction loss regardless of which stream pattern is selected. The vanes also allow large debris to easily pass through the Vortex. Manual override included.

**VORTEX Vane Positions**



Straight Stream



Dispersed Pattern

**MASTER STREAM 4000 ELECTRIC REMOTE**



**MT-A4ERP-QC**

**56.3 lbs (25.5 kg)**  
**21.0" (53.3 cm) Length**  
**13.0" (33.0 cm) Width**  
**10.0" (25.4 cm) Diameter**

The Master Stream 4000 ER series is a super-high volume nozzle capable of flowing up to 4,000 gpm (15,000 l/min). The automatic version flows 600-4,000 gpm (2,300-15,000 l/min) and incorporates field adjustable nozzle pressure regulation capable of constant nozzle pressures from 80-120 psi (5.5-8.3 bar).

The Selectable version has flow settings of 2,000, 3,000, and 4,000 gpm (7,500, 11,000 and 15,000 l/min) at 100 psi (7 bar). Continuously variable pattern from straight stream to wide fog. Fog and straight stream adjustments are smooth and are controlled from the TFT monitor controller. Hardcoat anodized aluminum for maximum resistance to corrosion and wear. Quick connect coupling for Tsunami monitor and 6" (150 mm) ANSI flange inlet options available.

MODEL	ATTACHMENT	FLOW	PRESSURE	OPERATING SYSTEM
MT-A4ERP-QC	7" Tsunami Quick Connect	600-4000 gpm (2300-15000 l/min)	80-120 psi (5.5-8.3 bar)	AUTOMATIC





# MONITORS & WATER CANNONS

REMOTE CONTROL & MANUAL

Our monitor lines cover a wide range of models for wildland, municipal, and industrial firefighting. Flows range from 10 gpm (40 l/min) to over 8000 gpm (30,000 l/min) in both RC and manual versions. Features include compact designs, low friction loss and options to make RC controls and programming simple and intuitive. Monitors have a wide range of nozzle options in various flows and pressures.

A close-up photograph of a black, octagonal control panel for a water monitor. The panel features the TFT logo at the top, the word 'FLEX' in large, bold, white letters in the center, and the website 'tft.com' below it. The panel is mounted on a grey metal structure. In the background, a blue nozzle with the words 'MASTER STREAM' is visible.

**FLEX**

tft.com

A close-up photograph of a black, octagonal control panel for a water monitor, similar to the one above. It features the TFT logo and the word 'FLEX' in large, bold, white letters. Below the panel, a grey metal structure is visible, and a blue nozzle with the words 'MASTER STREAM' is partially visible in the background.

**FLEX**

TASK FORCE  
FIRE FIGHTING

# NEW

## Flex™ Monitors

Integrating feedback from the fire service and using proven water path designs developed for the Blitzfire portable monitor, we've built you a masterstream monitor that checks all the boxes for performance, reliability, serviceability, and flexibility. With fewer bends for the water to navigate, Flex delivers best-in-class friction loss while having the most compact size so you can put out the fire with confidence and ease.

Models Range From

### 1250 - 2000 GPM

(4750 LPM - 7500 LPM)

- ✓ CAN-Bus J1939
- ✓ Absolute Positioning

*Patented  
Other patents pending*

Watch Now



### Friction Loss

3 PSI - 1250 GPM  
4 PSI - 1500 GPM  
8 PSI - 2000 GPM

### INTUITIVE & CUSTOMIZABLE REMOTE CONTROLS & PROGRAMMING



#### Manual



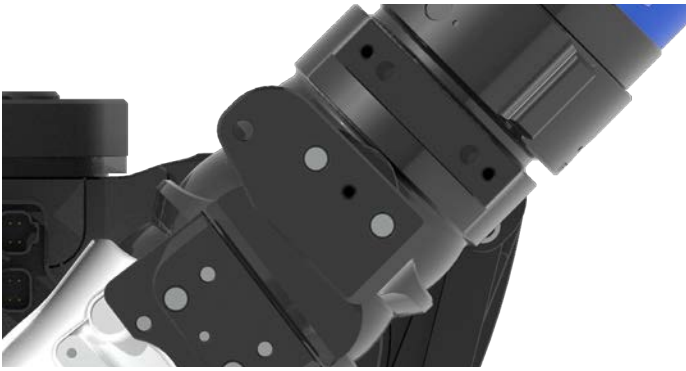
#### Remote Control



#### Tiller



**FLEX MOUNTED MONITORS**

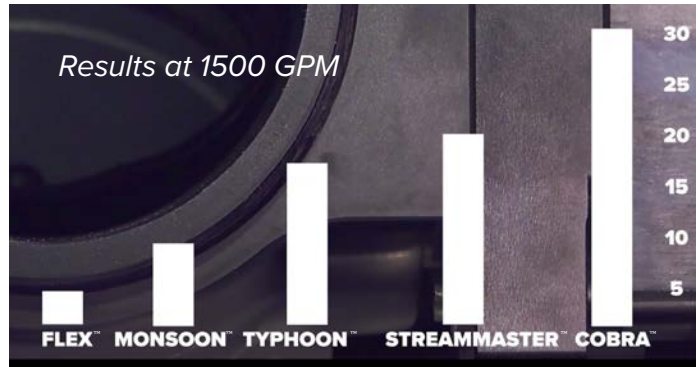


**Articulating Waterway**

The patented waterway eliminates excessive curves and bends while giving you total control of your water stream.

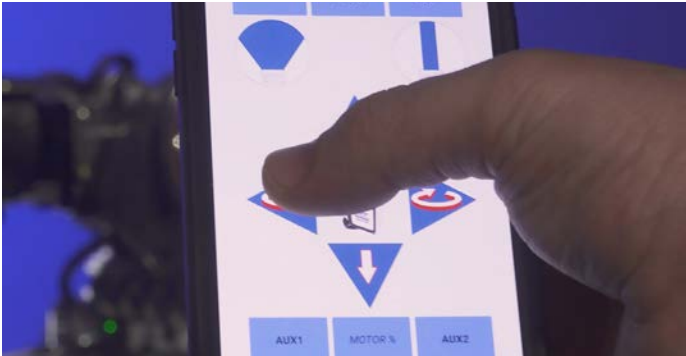
Flex is compatible with your favorite masterstream nozzles and also works with the Vortex and your favorite set of stacked tips!

**Lowest Friction Loss**



Flex integrates proven water path design originally developed for the Blitzfire portable monitor that delivers amazing stream reach and the lowest friction loss available from any brand at only a 4psi (.28 bar) loss while flowing 1,500 GPM (5678 LPM).

*Stream Master™ and Cobra™ are trademarks of their respective owners and are not affiliated, endorsed, connected or sponsored in any way to Task Force Tips or any of our products or brands.*



**Easy to Program, Use, and Service**

A free app allows easy programming for your custom needs and pairing with other RC devices.

Custom program buttons, stops, and park.

Controllers have customizable buttons for specific operations. Programming can be saved for multiple installations or future unit installation.

The app also allows for simple diagnostics, troubleshooting, and program updates without removing hardware.



**SmartPlex™ Controls & Pairing**

Quickly scan and pair your Flex to any Extend-A-Gun, VUM, or multiplex system on your apparatus.



**Customizable Controls**

Change your labeling for any monitor function, lights, cameras, and other accessories.

**4X RC Options**



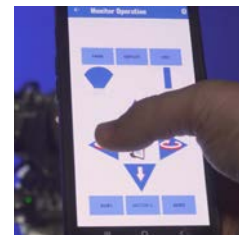
Panel Mount



Handheld



Direct Mount



Mobile App

**FLEX MOUNTED MONITORS**

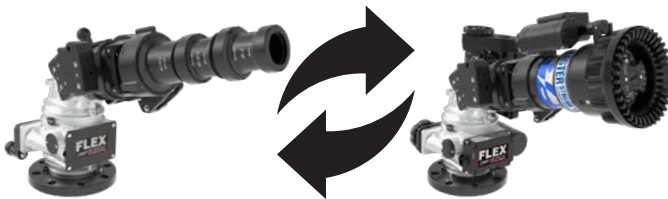


**Compact Size, Big Flow**

Flex easily fits in the dunnage, on an aerial ladder or platform, or on the back of the body.

**Stow Height: 16" Swing Radius: 6"**

Flex easily fits where competitive models don't and it's compatible with 3" and 4" waterways. It's also compatible with Extend-A-Gun extendable waterways.

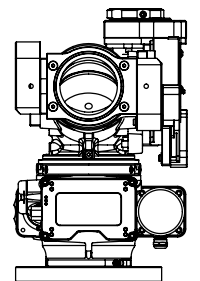
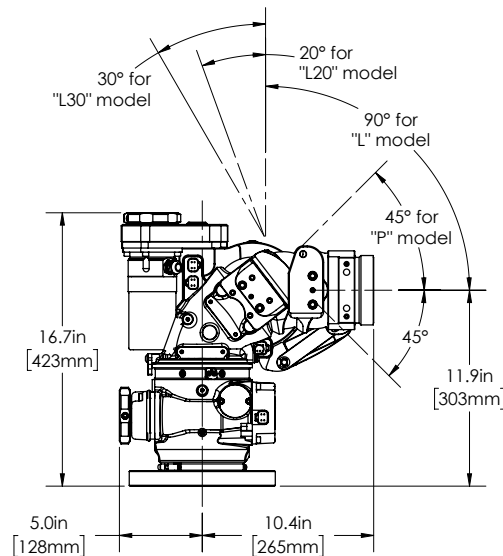
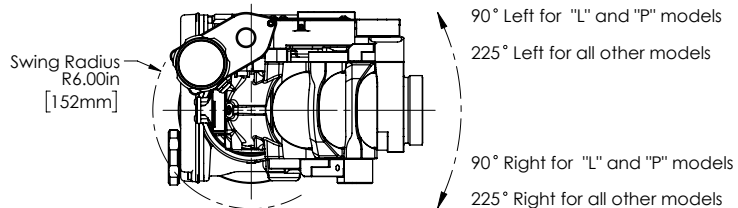


**Configurable & Upgradeable**

Flex delivers for today and in the future by bringing a new level of configurability. Using a single monitor design, choose from a 3" or 4" waterway for flow rates from 1250-2000 GPM and upgrade either in the future with ease.

Manual, RC and Tiller models are available with a wide range of nozzle options.

MODEL	ACTUATION	INLET	OUTLET
YN-E15A	ELECTRIC	3" ANSI 150	2.5" NH Male
YN-E15A-P	ELECTRIC	3" ANSI 150	2.5" NH Male
YN-E21A	ELECTRIC	4" ANSI 150/DN100 PN16	3.5" NH Male
YN-E21A-L	ELECTRIC	4" ANSI 150/DN100 PN16	3.5" NH Male
YN-E21A-L30	ELECTRIC	4" ANSI 150/DN100 PN16	3.5" NH Male
YN-E21A-P	ELECTRIC	4" ANSI 150/DN100 PN16	3.5" NH Male
YN-E25A	ELECTRIC	4" ANSI 150/DN100 PN16	2.5" NH Male
YN-EL1A	ELECTRIC	TFT CODE-RLF*	3.5" NH Male
YN-EL5A	ELECTRIC	TFT CODE-RLF*	2.5" NH Male
YN-EP1A	ELECTRIC	TFT CODE -RPF**	3.5" NH Male
YN-EP1A-L	ELECTRIC	TFT CODE -RPF**	3.5" NH Male
YN-EP1A-L20	ELECTRIC	TFT CODE -RPF**	3.5" NH Male
YN-EP1A-P	ELECTRIC	TFT CODE -RPF**	3.5" NH Male
YN-M21A	CRANKS	4" ANSI 150/DN100 PN16	3.5" NH Male
YN-M21A-Z	CRANKS	4" ANSI 150/DN100 PN16	3.5" NH Male
YN-M31A	CRANKS	6" ANSI 150	3.5" NH Male
YN-MP1A	CRANKS	TFT CODE -RPF**	3.5" NH Male
YN-T21A-Z	TILLER	4" ANSI 150/DN100 PN16	3.5" NH Male
YN-T25A-Z	TILLER	4" ANSI 150/DN100 PN16	2.5" NH Male



**LEGACY TO FLEX EQUIVALENTS - MONITORS**








LEGACY MODELS				FLEX REPLACEMENT MODELS	
MODEL #	MODEL NAME	INLET	OUTLET	MODEL #	ACCESSORY
XFIH-E11A	HURRICANE RC	3" ANSI 150	2.5" NH Male	YN-E15A	
XFIH-E21A	HURRICANE RC	4" ANSI 150/DN100 PN16	2.5" NH Male	YN-E25A	
XFIH-EL1A	HURRICANE RC	TFT CODE-RLF*	2.5" NH Male	YN-EL5A	
XFIH-EL2A	HURRICANE RC	TFT CODE-RLF*	2.5" BSP Male	YN-EL6A	
Y4-E15A	MONSOON RC	3" ANSI 150	2.5" NH Male	YN-E15A	
Y4-E15A-P-01	MONSOON RC	3" ANSI 150	2.5" NH Male	YN-E15A-P	
Y4-E21A	MONSOON RC	4" ANSI 150/DN100 PN16	3.5" NH Male	YN-E21A	
Y4-E21A-L	MONSOON RC	4" ANSI 150/DN100 PN16	3.5" NH Male	YN-E21A-L	YC-COMM
Y4-E21A-L-01	MONSOON RC	4" ANSI 150/DN100 PN16	3.5" NH Male	YN-E21A-L	
Y4-E21A-L-02	MONSOON RC	4" ANSI 150/DN100 PN16	3.5" NH Male	YN-E21A-L	
Y4-E21A-P-01	MONSOON RC	4" ANSI 150/DN100 PN16	3.5" NH Male	YN-E21A-P	
Y4-E25A	MONSOON RC	4" ANSI 150/DN100 PN16	2.5" NH Male	YN-E25A	
Y4-E55A	MONSOON RC	4" ANSI 150/DN100 PN16	2.5" NH Male	YN-E21A	
Y4-EL1A	MONSOON RC	TFT CODE-RLF*	3.5" NH Male	YN-EL1A	
Y4-EL5A	MONSOON RC	TFT CODE-RLF*	2.5" NH Male	YN-EL5A	
Y4-EP1A	MONSOON RC	TFT CODE -RPF**	3.5" NH Male	YN-EP1A	
Y4-EP1A-L	MONSOON RC	TFT CODE -RPF**	3.5" NH Male	YN-EP1A-L	YC-COMM
Y4-EP1A-L-01	MONSOON RC	TFT CODE -RPF**	3.5" NH Male	YN-EP1A-L	
Y4-EP1A-P-01	MONSOON RC	TFT CODE -RPF**	3.5" NH Male	YN-EP1A-P	
Y4-EP1A-P-05	MONSOON RC	4" ANSI 150/DN100 PN16	3.5" NH Male	YN-EP1A-P	
Y4-M21A	MONSOON CRANKS	4" ANSI 150/DN100 PN16	3.5" NH Male	YN-M21A	
Y4-M21A-Z	MONSOON CRANKS	4" ANSI 150/DN100 PN16	3.5" NH Male	YN-M21A-Z	
Y4-M31A	MONSOON CRANKS	6" ANSI 150	3.5" NH Male	YN-M31A	
Y4-MP1A	MONSOON CRANKS	TFT CODE -RPF**	3.5" NH Male	YN-MP1A	
Y4-MP1A-P-01	MONSOON CRANKS	TFT CODE -RPF**	3.5" NH Male	YN-MP1A	
Y4-T21A-Z	MONSOON TILLER	4" ANSI 150/DN100 PN16	3.5" NH Male	YN-T21A-Z	
Y4-T25A-Z	MONSOON TILLER	4" ANSI 150/DN100 PN16	2.5" NH Male	YN-T25A-Z	
Y5-E21A	TYPHOON RC	4" ANSI 150/DN100 PN16	3.5" NH Male	YN-E21A	
Y5-E21A-L	TYPHOON RC	4" ANSI 150/DN100 PN16	3.5" NH Male	YN-E21A-L	YC-COMM
Y5-E21A-L-01	TYPHOON RC	4" ANSI 150/DN100 PN16	3.5" NH Male	YN-E21A-L	
Y5-E21A-L30	TYPHOON RC	4" ANSI 150/DN100 PN16	3.5" NH Male	YN-E21A-L30	YC-COMM
Y5-E21A-L45	TYPHOON RC	4" ANSI 150/DN100 PN16	3.5" NH Male	YN-E21A-L30	YC-COMM
Y5-EA1A-L	TYPHOON RC	TFT CODE -RPF**	3.5" NH Male	YN-EP1A-L	YC-COMM
Y5-EA1A-L20	TYPHOON RC	TFT CODE -RPF**	3.5" NH Male	YN-EP1A-L20	YC-COMM
Y5-EB1A-L	TYPHOON RC	4" ANSI 150/DN100 PN16	3.5" NH Male	YN-E21A-L	YC-COMM
Y5-EB1A-L302	TYPHOON RC	4" ANSI 150/DN100 PN16	3.5" NH Male	YN-E21A-L30	YC-COMM
Y5-EL1A	TYPHOON RC	TFT CODE-RLF*	3.5" NH Male	YN-EL1A	
Y5-EP1A	TYPHOON RC	TFT CODE -RPF**	3.5" NH Male	YN-EP1A	
Y5-EP1A-L	TYPHOON RC	TFT CODE -RPF**	3.5" NH Male	YN-EP1A-L	YC-COMM
Y5-EP1A-L20	TYPHOON RC	TFT CODE -RPF**	3.5" NH Male	YN-EP1A-L20	YC-COMM



**LEGACY TO FLEX EQUIVALENTS - ELECTRONICS**

LEGACY MODEL #	MODEL NAME	FLEX MODEL
Y4E-COMM	COMMUNICATION INTERFACE BOX	YC-COMM
YE-REMAUX	REMOTE AUX FUNCTION RELAY INTERFACE	YC-COMM
YE-INPUTS1	ELECTRONICS INTERFACE BOX	YC-COMM
YE-INPUTS2	ELECTRONICS INTERFACE BOX	YC-COMM
Y4E-CT-100	TETHER OPERATOR STATION-100' LONG CABLE	YC-CT-30
Y4E-CT-30	TETHER OPERATOR STATION - 30' LONG CABLE	YC-CT-30
Y4E-CT-30-D	TETHER OP STATION WITH DISPLAY - 30'	YC-CT-30
YE-RF-RAD-24	WIRELESS RADIO AND ANTENNA 2.4 GHZ	YC-RF-RAD-24
YE-RF-RAD-9	WIRELESS RADIO AND ANTENNA 900 MHZ	YC-RF-RAD-24
YE-RF-RAD-92	WIRELESS RADIO AND ANTENNA 920 MHZ	YC-RF-RAD-24
Y4E-RP	PANEL MOUNT MONITOR OPERATOR STATION	YC-RP
Y4E-RP-D	PANEL MOUNT MON OP STATION WITH DISPLAY	YC-RP
YE-RF-2400	WIRELESS OPERATOR STATION 2.4 GHZ	YC-RF-24
YE-RF-2400-D	WIRELESS OPERATOR STATION WITH DISPLAY	YC-RF-24
YE-RF-900	WIRELESS OPERATOR STATION 900 MHZ	YC-RF-24
YE-RF-900-D	WIRELESS OP STATION 900 MHZ WITH DISPLAY	YC-RF-24
YE-RF-920-D	WIRELESS OPERATOR STATION WITH DISPLAY	YC-RF-24
Y4E-TS	TOGGLE SWITCH OPERATOR STATION	YC-TS

**FLEX ELECTRONIC CONTROLLER OPTIONS**

PHOTO	MODEL	DESCRIPTION	LENGTH	WEIGHT
	YC-RF-RAD-24	Wireless Monitor Module	3.60" L x 5.00" W x 1.02" H (9.1 x 12.7 x 2.6 cm)	0.63 lbs (0.29 kg)
	YC-RF-24	Wireless Handheld Controller + Dock	3.25"L x 5.80" W x 5.10" H (8.3 x 14.7 x 12.9 cm)	1.81 lbs (0.82 kg)
	YC-RM	Panel Monitor Module	3.60" L x 5.00" W x 1.52" H (9.1 x 12.7 x 3.9 cm)	0.37 lbs (0.17 kg)
	YC-RFRM	Wireless and Panel Module Kit	3.60" L x 5.00" W x 2.95" H (9.1 x 12.7 x 7.5 cm)	1.07 lbs (0.48 kg)
	YC-RP	Pump Panel	3.60" L x 5.00" W x 1.52" H (9.1 x 12.7 x 3.9 cm)	0.37 lbs (0.17 kg)
	YC-TS	Toggle Switch	3.60" L x 5.00" W x 1.52" H (9.1 x 12.7 x 3.9 cm)	0.37 lbs (0.17 kg)
	YC-CT-30	Tether Handheld Controller + Docking Station	3.25"L x 5.80" W x 5.10" H (8.3 x 14.7 x 12.9 cm)	4.51 lbs (2.05 kg)

**FLEX ELECTRONIC CANBUS ACCESSORIES**

MODEL	DESCRIPTION	LENGTH	WEIGHT
YC-COMM	Monitor Communication Interface Box. For controlling TFT RC monitor from other inputs such as toggle switches. Two relays that can operate lights, interface to a valve controller or a valve directly.	6.7" L x 4.8" W x 2.2" H (17.1 x 12.1 x 5.5 cm)	2.0 lbs (0.9 kg)
YE-CAN2	Converts CANbus signals into serial communications for controlling a TFT RC monitor or valve. Use to retrofit a FLEX monitor with Legacy Extend-A-Guns and VUMs.	5.40" L x 1.64" W x 1.36" H (13.7 x 4.2 x 3.5 cm)	3.0 oz (85 gr)

**EF1™ RC**

**10 to 200 gpm (40 to 750 l/min)**

The EF1 RC monitor is extremely compact, yet it has a large 1.5" (38 mm) waterway, capable of flowing up to 200 gpm, making it the ideal forestry bumper turret. Waterway with turning vane has only 19 psi (1.3 bar) friction loss at 200 gpm (750 l/min). Elevation range is 90° above horizontal to 45° below. Horizontal travel is 270° (135° either side of a center position). Field changeable horizontal travel stops to give 180° (90° either side of a center position). Designed for 12 VDC or 24 VDC operation, selection is automatic. The EF1 RC monitor optional controllers (sold separately) allow for monitor horizontal rotation, elevation, nozzle pattern, programmable PARK and Oscillate. The motor control circuits use position encoders and current limiting to protect the drive train at the ends of travel. Unit has waterproof factory installed plug on power wire for easy removal or reinstallation. Electric drives and control box are waterproof. Main waterway made from hardcoat anodized aluminum. Silver powder coat finish. Various inlets are available. Contact factory for details about wireless operation.

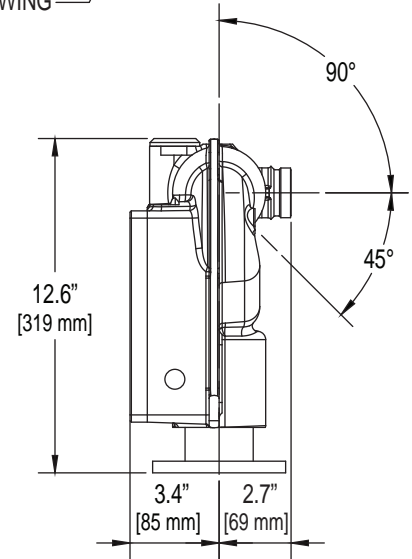
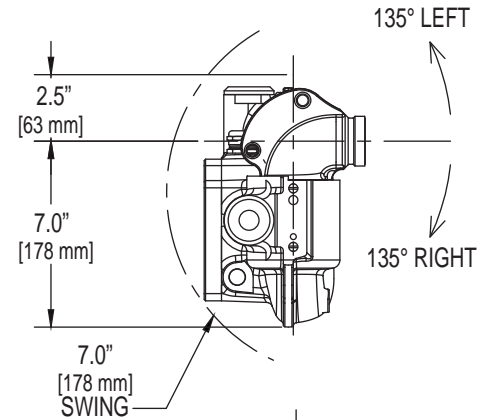


**Y1-E31A**

SAMPLE PART NUMBER

**17.0 lb (7.7 kg)**

- Excellent wildland and interface monitor
- Compact for front bumper mounting
- Enclosed motors and electronics
- External wiring is reduced to a minimum
- Single plug for quick installation
- IP65 ingress protection on electronics



Most popular models listed below. See price list or contact TFT customer service for other available models.

MODEL	INLET	OUTLET
Y1-E22A	1.5" BSPT F	1.5" NH M
Y1-E31A	1.5" FLANGE/1.5" NPT F	1.5" BSP M
Y1-E42A	1.5" NPT F	1.5" NH M
Y1-E82A	2.0" NPT F	1.5" NH M
Y1-EE2A	2.0" NPT F w/QUICK CONNECT	1.5" NH M
Y1-EH2A	TFT CODE RLF w/QUICK CONNECT	1.5" NH M

**Frequently Purchased EF1 RC Monitor Nozzles found on next page.**

## Frequently Purchased EF1 Monitor Nozzles and Accessories



### SMOOTHBORE NOZZLES 1.5" (38 mm)

The full line of Smoothbore Nozzles can be found in the Handheld Nozzle section.

MODEL	INLET FEMALE	ORIFICE	LENGTH	WEIGHT
FSS5	1.5" NH (38 mm)	1/2" (13 mm)	4.00" (10.2 cm)	0.4 lb (0.2 kg)
FSS7	1.5" NH (38 mm)	3/4" (19 mm)	5.00" (12.7 cm)	0.6 lb (0.3 kg)
FSS8	1.5" NH (38 mm)	7/8" (22 mm)	5.00" (12.7 cm)	0.6 lb (0.3 kg)
FSS9	1.5" NH (38 mm)	1" (25 mm)	5.00" (12.7 cm)	0.6 lb (0.3 kg)



### BUBBLE CUP ER NOZZLE FOR EF1 RC MONITORS

The full line of Fixed and RC Monitor Nozzles can be found in the Fixed and RC Monitor Nozzle section.

MODEL	INLET	FLOW	OPERATING PRESSURE	SMART STREAM TECHNOLOGY	LENGTH	WEIGHT
F2060BCER	1.5" NH(38 mm)	20 and 60 gpm (75 and 230 l/min)	100 psi (7 bar)	YES	11.4" (29.0 cm)	5.7 lb (2.6 kg)
F2095BCER	1.5" NH (38 mm)	20 and 95 gpm (75 and 360 l/min)	100 psi (7 bar)	YES	11.4" (29.0 cm)	5.7 lb (2.6 kg)



### ULTIMATIC ER NOZZLE FOR EF1 RC MONITORS

The full line of Fixed and RC Monitor Nozzles can be found in the Fixed and RC Monitor Nozzle section.

MODEL	INLET	FLOW	OPERATING PRESSURE	SMART STREAM TECHNOLOGY	LENGTH	WEIGHT
B-TO-ERP*	1.5" NH (38 mm)	10-125 gpm (40-500 l/min)	100 psi (7 bar)	YES	10.25" (26.0 cm)	6.4 lb (2.9 kg)
BL-TO-ERP*	1.5" NH (38 mm)	10-100 gpm (40-380 l/min)	75 psi (5 bar)	YES	10.25" (26.0 cm)	6.4 lb (2.9 kg)
B-TOS-ERP	1.5" NH (38 mm)	15-120 gpm (60-450 l/min)	100 psi (7 bar)	YES	9.9" (25.1 cm)	5.9 lb (2.7 kg)

\* When installing B-TO-ERP, B-TOS-ERP, or BL-TO-ERP nozzle on EF1 RC monitor, please request longer nozzle cable when ordering.



### REMOTE CONTROL ACCESSORIES FOR EF1 RC MONITORS

The full line of Remote Control Accessories can be found in the Remote Control Accessories section.

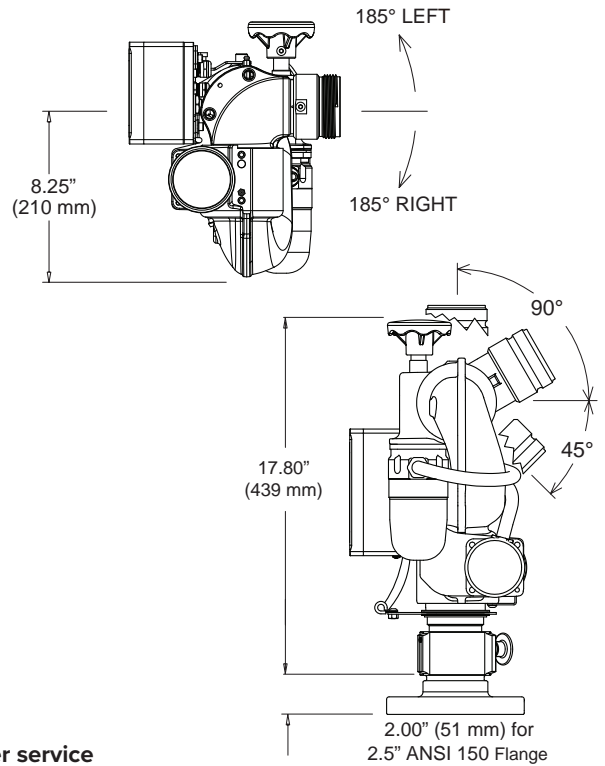
MODEL	DESCRIPTION	LENGTH	WEIGHT
Y4E-JS-52	Joystick Controller for Standard Valve	10.00"H x 4.75"W x 4.75"L (25.40 x 12.1 x 12.1 cm)	5.00 lb (2.30 kg)
Y4E-JS-GT	Joystick Controller for Gateable Valve	10.00"H x 4.75"W x 4.75"L (25.40 x 12.1 x 12.1 cm)	5.00 lb (2.30 kg)
YE-VK-PF	1.5" NPT Standard Valve	4.80"L x 7.10"W x 9.40"H (12.20 x 18.0 x 23.9 cm)	8.50 lbs (3.80 kg)
YE-VK-PH	2.0" NPT Standard Valve	5.40"L x 7.10"W x 10.0"H (13.70 x 18.0 x 25.4 cm)	9.00 lb (4.00kg)
YE-VKG-PF	1.5" NPT Gateable Valve	4.80"L x 7.10"W x 9.40"H (12.2 x 18.0 x 23.9 cm)	9.00 lb (4.00kg)
YE-VKG-PH	2.0" NPT Gateable Valve	5.40"L x 7.10"W x 10.0"H (13.7 x 18.0 x 25.4 cm)	9.0 lb (4.0kg)

**TORNADO® RC**  
**500 gpm (2000 l/min)**



The Tornado RC is very compact, yet it has a large 2-¼" waterway, capable of flowing up to 500 gpm (2000 l/min), making it the ideal bumper turret. Waterway with turning vane has only 19 psi (1.3 bar) friction loss at 500 gpm (2000 l/min). Elevation range is 90° above horizontal to 45° below horizontal. Field changeable elevation travel stops at 45° above and 20° below horizontal. Horizontal travel is 370° (185° either side of a center position). Field changeable horizontal travel stops to give 180° (90° either side of a center position). Designed for 12 VDC or 24 VDC operation, selection is automatic. The Tornado RC comes with a control panel on the monitor for horizontal rotation, elevation, nozzle pattern, programmable PARK and Oscillate. The motor control circuits use position encoders and

current limiting to protect the drive train at the ends of travel. Unit has waterproof factory installed plug on power wire for easy removal or reinstallation. Knobs for manual override are provided on the horizontal rotation and elevation drive. Electric drives and control box are waterproof. Main waterway made from hardcoat anodized ANSI 356-T6 aluminum. Silver powder coat finish inside and out. Various inlets are available. Locking quick connect inlets allows for quick removal of the Tornado for installations such as bumper mounting, where the monitor must be removed to tilt the cab of the truck. For wireless operation, purchase wireless operator station and radio/antenna found in the RC Monitor Controls and Accessories section of the catalog.



Most popular models listed below. See price list or contact TFT customer service for other available models.

MODEL	INLET	OUTLET
Y2-E02A	3" FLANGE w/QUICK CONNECT	2.5" BSP M
Y2-E62A	2.5" Flange/2.5" NPT F w/Quick Connect	2.5" BSP M
Y2-E63A	2.5" Flange/2.5" NPT F w/Quick Connect	1.5" BSP M
Y2-E84A	2.0" NPT F w/Quick Connect	1.5" NH M

LED Integrated Lighting Kit can be found in the RC Monitor Controls and Accessories section of the catalog.

**Frequently Purchased TORNADO RC Monitor Nozzles 1.5" (38 mm) Outlet Series**

**SMOOTHBORE NOZZLES 1.5" (38 mm)**

The full line of Smoothbore Nozzles can be found in the Handheld Nozzle section.



MODEL	INLET FEMALE	ORIFICE	LENGTH	WEIGHT
FSS9	1.5" NH (38 mm)	1" (25 mm)	5.00" (12.7 cm)	0.6 lb (0.3 kg)
FSS13-CAFS	1.5" NH (38 mm)	CAFS STRAIGHT TIP 1-3/8" (35 mm)	10.45" (26.5 cm)	1.7 lb (0.8 kg)

**ULTIMATIC ER NOZZLE FOR TORNADO RC MONITORS**

The full line of Fixed and RC Monitor Nozzles can be found in the Fixed and RC Monitor Nozzle section.



MODEL	INLET	FLOW	OPERATING PRESSURE	SMART STREAM TECHNOLOGY	LENGTH	WEIGHT
B-TO-ERP	1.5" NH (38 mm)	10-125 gpm (40-500 l/min)	100 psi (7 bar)	YES	10.25" (26.0 cm)	6.4 lb (2.9 kg)
BL-TO-ERP	1.5" NH (38 mm)	10-100 gpm (40-380 l/min)	75 psi (5 bar)	YES	10.25" (26.0 cm)	6.4 lb (2.9 kg)
B-TOS-ERP	1.5" NH (38 mm)	15-120 gpm (60-450 l/min)	100 psi (7 bar)	YES	9.9" (25.1 cm)	5.9 lb (2.7 kg)

**MID-MATIC ER Nozzle**

The full line of Fixed and RC Monitor Nozzles can be found in the Fixed and RC Monitor Nozzle section.



MODEL	INLET	FLOW	OPERATING PRESSURE	SMART STREAM TECHNOLOGY	LENGTH	WEIGHT
HM-TO-ERP	1.5" NH (38 mm)	70-200 gpm (260-760 l/min)	100 psi (7 bar)	YES	9.7" (24.6 cm)	6.5 lb (2.9 kg)

**MID-FORCE ER Nozzle**

The full line of Fixed and RC Monitor Nozzles can be found in the Fixed and RC Monitor Nozzle section.



MODEL	INLET	FLOW	OPERATING PRESSURE	SMART STREAM TECHNOLOGY	LENGTH	WEIGHT
HMD-TO-ERP	1.5" NH (38 mm)	70-200 gpm (260-760 l/min)	100/75 psi (7/5 bar)	YES	9.7" (24.6 cm)	6.5 lb (2.9 kg)

*Continued on next page.*

**Frequently Purchased Tornado RC Monitor Nozzles 2.5" (65 mm) Outlet Series**



**MAX SERIES NOZZLES FOR RC MONITORS**

The full line of Master Stream Nozzles can be found in the Master Stream Nozzles section.

MODEL	INLET (SWIVEL)	FLOW	OPERATING PRESSURE	LENGTH	WEIGHT
MD-ERP12A	2.5" (65 mm) NH FEMALE	100-500 gpm (400-2000 l/min)	55/100 PSI (4/7 bar)	10.2" (25.9 cm)	10.2 lbs (4.6 kg)
MD-ERP18A	2.5" (65 mm) NH FEMALE	100-500 gpm (400-2000 l/min)	100 PSI (7 bar)	10.2" (25.9 cm)	10.0 lbs (4.5 kg)
MD-ERP28A	2.5" (65 mm) BSP FEMALE	100-500 gpm (400-2000 l/min)	100 PSI (7 bar)	10.2" (25.9 cm)	10.0 lbs (4.5 kg)



**FOAM ATTACHMENTS**

The full line of foam attachments can be found in the Foam Equipment section.

MODEL	FITS NOZZLE	FRONT END	DIAMETER	LENGTH	WEIGHT
FJ-U	Ultimatic	Flexible Rubber	NA	9.75" (24.8 cm)	1.2 lb (0.5 kg)

MODEL	FITS NOZZLE	LENGTH	WEIGHT
FJ-MX-MD	Max-Series Nozzles	16.20" (41.1 cm)	4.6 lb (2.1 kg)

**Frequently Purchased Tornado RC Monitor Accessories**



**REMOTE CONTROL ACCESSORIES FOR TORNADO RC MONITORS**

The full line of Remote Control Accessories can be found in the Remote Control Accessories section.

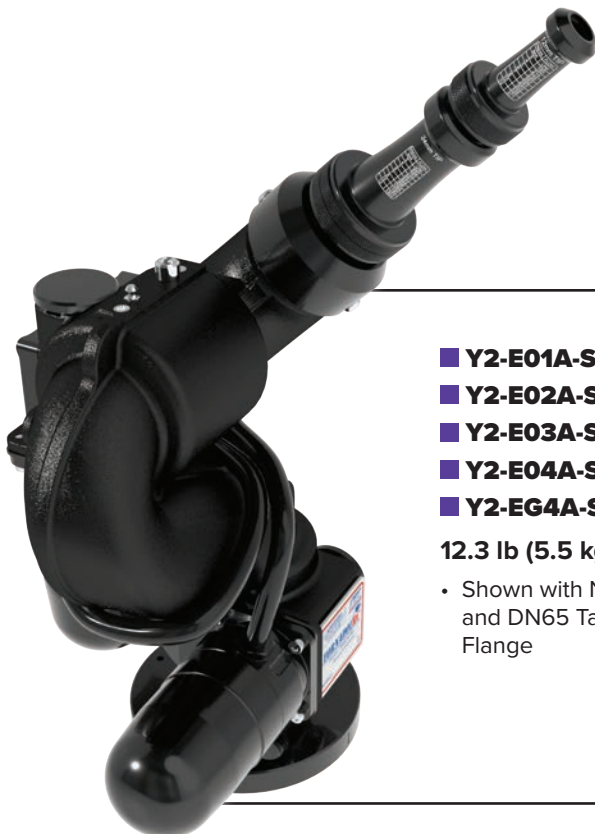
MODEL	DESCRIPTION	LENGTH	WEIGHT
Y4E-JS-52	Joystick Controller for Standard Valve	10.00"H x 4.75"W x 4.75"L (25.40 x 12.1 x 12.1 cm)	5.00 lb (2.30 kg)
Y4E-JS-GT	Joystick Controller for Gateable Valve	10.00"H x 4.75"W x 4.75"L (25.40 x 12.1 x 12.1 cm)	5.00 lb (2.30 kg)
YE-VK-PF	1.5" NPT Standard Valve	4.80"L x 7.10"W x 9.40"H (12.20 x 18.0 x 23.9 cm)	8.50 lbs (3.80 kg)
YE-VK-PH	2.0" NPT Standard Valve	5.40"L x 7.10"W x 10.0"H (13.70 x 18.0 x 25.4 cm)	9.00 lb (4.00kg)
YE-VKG-PF	1.5" NPT Gateable Valve	4.80"L x 7.10"W x 9.40"H (12.2 x 18.0 x 23.9 cm)	9.00 lb (4.00kg)
YE-VKG-PH	2.0" NPT Gateable Valve	5.40"L x 7.10"W x 10.0"H (13.7 x 18.0 x 25.4 cm)	9.0 lb (4.0kg)
Y4E-DISP	MONITOR POSITION DISPLAY	4.25"L x 4.25"W x 1.30"H (10.8 x 10.8 x 3.3 cm)	2.70 lb (1.20 kg)
YE-LK12-KIT	LED SEARCH-LIGHT KIT	4.30" (10.9 cm) Height	1.7 lb (0.8 kg)

**TORNADO® RC DUST MITIGATION**  
**500 gpm (2000 l/min) Compact Industrial Monitor**



TFT's TORNADO RC compact industrial monitor is designed for both fire and industrial applications. This industrial version is certified to ingress protection IP66/67 to limit penetration of dust and moisture into the electronics, ball races and gears. Models are remotely operated and are capable of flowing up to 500 gpm (2000 l/min). Heavy duty seals and O-rings help mitigate contamination in applications like mining and road construction.

- High performance seals in both the vertical and horizontal axis minimize penetration of dust and moisture in bearing races
- Override knobs have been replaced with protective caps and seals to minimize penetration of dust and moisture in the worm gear area
- 340° maximum total rotation for the horizontal axis
- Horizontal axis has infinitely adjustable travel stops



- **Y2-E01A-S**
- **Y2-E02A-S**
- **Y2-E03A-S**
- **Y2-E04A-S**
- **Y2-EG4A-S**

**12.3 lb (5.5 kg)**

- Shown with NYSTACK and DN65 Table E Inlet Flange

**Worldwide Approval and Certifications**

from agencies around the world, as well as being a Registered Firm to ISO 9001:2015 by Underwriter's. Certificates for specific models are available for review at [tft.com/documents](http://tft.com/documents), and include approvals of remote controlled models used in potentially hazardous atmospheres as well as country specific requirements.

All products are designed, developed, and manufactured in the United States of America at our Valparaiso, Indiana world headquarters.

Operating voltage of 12 or 24 VDC, selection is automatic. Hardcoat aluminum, powder coated inside and out. Programmable stow, and vertical and horizontal oscillation. 135° vertical range (-45° to +90°) 271 lb (12.3 kg).

MODEL	INLET	OUTLET
Y2-E01A-S	3" ANSI 150 Flange	2.5" (65 mm) NHM
Y2-E02A-S	3" ANSI 150 Flange	2.5" (65 mm) BSPM
Y2-E03A-S	3" ANSI 150 Flange	1.5" (38 mm) BSPM
Y2-E04A-S	3" ANSI 150 Flange	1.5" (38 mm) NHM
Y2-EG4A-S	DN65 TABLE E	1.5" (38 mm) NHM

**Frequently Purchased TORNADO RC Dust Mitigation Monitor Nozzles found on next page.**

**Frequently Purchased TORNADO RC Dust Mitigation Monitor Nozzles 1.5" (38 mm) Outlet Series**

**SMOOTHBORE NOZZLES 1.5" (38 mm) FOR RC MONITORS**

The full line of Smoothbore Nozzles can be found in the Handheld Nozzle section.



MODEL	INLET FEMALE	ORIFICE	LENGTH	WEIGHT
FSS9	1.5" NH (38 mm)	1" (25 mm)	5.00" (12.7 cm)	0.6 lb (0.3 kg)
FSNYSTACK	1.5" NH (38 mm)	15/16" and 1/2" (24 mm and 13 mm)	6.62" (16.9 cm)	0.8 lb (0.4 kg)

**ULTIMATIC ER NOZZLE FOR RC MONITORS**

The full line of Fixed and RC Monitor Nozzles can be found in the Fixed and RC Monitor Nozzle section.



MODEL	INLET	FLOW	OPERATING PRESSURE	SMART STREAM TECHNOLOGY	LENGTH	WEIGHT
B-TO-ERP	1.5" NH (38 mm)	10-125 gpm (40-500 l/min)	100 psi (7 bar)	YES	10.25" (26.0 cm)	6.4 lb (2.9 kg)
BL-TO-ERP	1.5" NH (38 mm)	10-100 gpm (40-380 l/min)	75 psi (5 bar)	YES	10.25" (26.0 cm)	6.4 lb (2.9 kg)

**MID-MATIC ER NOZZLE FOR RC MONITORS**

The full line of Fixed and RC Monitor Nozzles can be found in the Fixed and RC Monitor Nozzle section.



MODEL	INLET	FLOW	OPERATING PRESSURE	SMART STREAM TECHNOLOGY	LENGTH	WEIGHT
HM-TO-ERP	1.5" NH (38 mm)	70-200 gpm (260-760 l/min)	100 psi (7 bar)	YES	9.7" (24.6 cm)	6.5 lb (2.9 kg)

**MID-FORCE ER NOZZLE FOR RC MONITORS**

The full line of Fixed and RC Monitor Nozzles can be found in the Fixed and RC Monitor Nozzle section.



MODEL	INLET	FLOW	OPERATING PRESSURE	SMART STREAM TECHNOLOGY	LENGTH	WEIGHT
HMD-TO-ERP	1.5" NH (38 mm)	70-200 gpm (260-760 l/min)	100/75 psi (7/5 bar)	YES	9.7" (24.6 cm)	6.5 lb (2.9 kg)

**Frequently Purchased TORNADO RC Dust Mitigation Monitor Remote Control Accessories**

**REMOTE CONTROL ACCESSORIES FOR RC MONITORS**

The full line of Remote Control Accessories can be found in the Remote Control Accessories section.



MODEL	DESCRIPTION	LENGTH	WEIGHT
Y4E-JS-52	Joystick Controller for Standard Valve	10.00"H x 4.75"W x 4.75"L (25.40 x 12.1 x 12.1 cm)	5.00 lb (2.30 kg)
YE-VK-PH	2.0" NPT Standard Valve	5.40"L x 7.10"W x 10.0"H (13.70 x 18.0 x 25.4 cm)	9.00 lb (4.00kg)
YE-VK-PJ	2.5" NPT Standard Valve	6.70"L x 8.60"W x 13.70"H (17.0 x 21.8 x 34.8 cm)	23.00 lb (13.20 kg)

*Continued on next page.*



**Frequently Purchased TORNADO RC Dust Mitigation Monitor Nozzles 2.5" (65 mm) Outlet Series**



**MAX SERIES NOZZLES FOR RC MONITORS**

The full line of Master Stream Nozzles can be found in the Master Stream Nozzles section.

MODEL	INLET (SWIVEL)	FLOW	OPERATING PRESSURE	LENGTH	WEIGHT
MD-ERP12A	2.5" (65 mm) NH FEMALE	100-500 gpm (400-2000 l/min)	55/100 PSI (4/7 bar)	10.2" (25.9 cm)	10.2 lbs (4.6 kg)
MD-ERP18A	2.5" (65 mm) NH FEMALE	100-500 gpm (400-2000 l/min)	100 PSI (7 bar)	10.2" (25.9 cm)	10.0 lbs (4.5 kg)
MD-ERP28A	2.5" (65 mm) BSP FEMALE	100-500 gpm (400-2000 l/min)	100 PSI (7 bar)	10.2" (25.9 cm)	10.0 lbs (4.5 kg)



**FOAM ATTACHMENTS**

The full line of foam attachments can be found in the Foam Equipment section.

MODEL	FITS NOZZLE	LENGTH	WEIGHT
FJ-MX-MD	Max-Series and ZN Series Industrial Nozzles	16.20" (41.1 cm)	4.6 lb (2.1 kg)

**TORNADO® MANUAL MONITOR**

**500 gpm (2000 l/min) Compact Monitor**

The Tornado is very compact, yet it has a large 2.25" (57mm) waterway, capable of flowing up to 500 gpm, making it the ideal manual turret. Waterway with turning vane has only 19 psi (1.3 bar) friction loss at 500 gpm (1900 l/min). Elevation range is 90° above horizontal to 45° below. Has 360° continuous horizontal rotation. Main waterway made from hard coat anodized ANSI 356-T6 aluminum. Silver powder coat finish inside and out. Various inlets are available.



MODEL	INLET	OUTLET
Y2-T01A	3" FLANGE	2.5" NH M
Y2-T14A	2.5" NH F	1.5 NH M
Y2-T61A	2.5" FLANGE/2.5" NPT F	2.5" NH M
Y2-T81A	2" NPT F	2.5" NH M

*Most popular models listed. See price list or contact TFT customer service for other available models.*

**PROTECTOR™ FIXED STATION MONITOR**  
**1250 Gpm (4750 l/min)**

The Task Force Tips' Protector is a simple and rugged fixed station monitor with many unique features. Its patented waterway gives low friction loss and delivers water to the nozzle with fewer twists and turns than a conventional monitor. The optional built-in on/off valve with position indicator eliminates the need to add a costly valve to the monitor installation. The Protector is capable of flowing up to 1250 gpm (4750 l/min) while maintaining a FULL 360° rotational ability. The lever-action rotational lock is activated in one motion, visually confirmed, and securely holds the monitor's horizontal position. The Protector can be directly bolted to many common pipe flanges.

The outlet is available with various 2.5" (65 mm) male threads. The simple and basic design requires no grease application or other maintenance. Swiveling elements and seals (including valve seat) can be replaced within a few minutes with common hand tools. Threaded ports (0.25" NPT) (6 mm) are provided for drain valve (included) and pressure gauge installation. Maximum pressure is 250 psi (17 bar). The Protector is hardcoat anodized ANSI 356-T6 aluminum and is fully powder coat finished inside and out. Swivel clamps, 3" (75 mm) valve ball, trunnions, and hardware are 18-8 stainless steel.

**Most popular models listed below. See price list or contact TFT customer service for other available models.**



- Z1111A**  
 SAMPLE PART NUMBER  
**35.20 lb (16.0 kg)**
- 2.5" (65 mm) threaded exit
  - On/off valve

MODEL	INLET	OUTLET	VALVE
Z1111A	3" FLANGE	2.5" NH M	YES
Z1121A	4"/DN100 FLANGE	2.5" NH M	YES
Z1122A	4"/DN100 FLANGE	2.5" BSP M	YES
Z1211A	3" FLANGE	2.5" NH M	NO



- Z1211A**  
**27.8 lb (12.6 kg)**
- 2.5" (65 mm) threaded exit
  - Without on/off valve

**Conversions**  
 2.5" (65 mm)  
 3.0" (75 mm)  
 4.0" (100 mm)

Frequently Purchased Protector Monitor Nozzles and Foam Attachments



MASTER FORCE NOZZLE FOR MONITORS AND WATER CANNONS

The full line of Master Stream Nozzles can be found in the Master Stream Nozzles Manual section.

MODEL	INLET	FLOW	OPERATING PRESSURE	LENGTH	WEIGHT
MC12A	2.5" NH (65 mm)	300-800 gpm (1100-3000 l/min)	100/55 psi (7/4 bar)	10.4" (26.4 cm)	9.5 lb (4.3 kg)



MASTER STREAM NOZZLE FOR MONITORS AND WATER CANNONS

The full line of Master Stream Nozzles can be found in the Master Stream Nozzles Manual section.

MODEL	INLET	OPERATING SYSTEM	FLOW	OPERATING PRESSURE	LENGTH	WEIGHT
M-R1000-NJ	2.5" NH (65 mm)	AUTOMATIC	150-1000 gpm (600-3800 l/min)	100 psi (7 bar)	10.0" (25.4 cm)	9.1 lb (4.1 kg)
M-R1000-BJ	2.5" BSP (65 mm)	AUTOMATIC	150-1000 gpm (600-3800 l/min)	100 psi (7 bar)	10.0" (25.4 cm)	9.1 lb (4.1 kg)
M-RS1000-NJ	2.5" NH (65 mm)	SELECTABLE	250, 350, 500, 750, and 1000 gpm (950, 1300, 2000, 3000 and 4000 l/min)	100 psi (7 bar)	10.0" (25.4 cm)	9.1 lb (4.1 kg)
M-RF1000-NJ	2.5" NH (65 mm)	FIXED	Factory preset at the customer's specified K-factor 50 to 105 maximum. Must specify flow and pressure at time of order.		10.0" (25.4 cm)	8.3 lb (3.8 kg)



MASTER STREAM NOZZLE FOR MONITORS AND WATER CANNONS

The full line of Master Stream Nozzles can be found in the Master Stream Nozzles Manual section.

MODEL	INLET	OPERATING SYSTEM	FLOW	OPERATING PRESSURE	LENGTH	WEIGHT
M-R1250S-NJ	2.5" NH (65 mm)	AUTOMATIC	150-1250 gpm (570-4700 l/min)	100 psi (7 bar)	10.0" (25.4 cm)	10.4 lb (4.7 kg)
M-R1250S-BJ	2.5" BSP (65 mm)	AUTOMATIC	150-1250 gpm (570-4700 l/min)	100 psi (7 bar)	10.0" (25.4 cm)	10.4 lb (4.7 kg)
M-R1250-NJ	2.5" NH (65 mm)	AUTOMATIC	300-1250 gpm (1100-4500 l/min)	70-120 psi (4.8-8.3 bar)	12.9" (32.8 cm)	13.6 lb (6.2 kg)



FIXED MONITOR FOAM ATTACHMENT

The full line of foam attachments can be found in the Foam Equipment section.

MODEL	FITS NOZZLE	LENGTH	WEIGHT
FJ-LX-M	Master Force, Master Stream 1000 & 1250S and Master Foam 250-750 gpm	25.30" (64.3 cm)	6.4 lb (2.9 kg)



INDUSTRIAL NOZZLE FOR MONITORS AND WATER CANNONS

The full line of Master Stream Nozzles can be found in the Master Stream Nozzles Manual section.

MODEL	INLET	FLOW	LENGTH	WEIGHT
ZN12A	2.5"-7.5 NH FEMALE	500 Gpm @ 100 PSI — K-factor = 50 (2000 l/min @ 7 bar)	6.0" (15.2 cm)	4.5 lb (2.0 kg)
ZN13A	2.5"-7.5 NH FEMALE	750 Gpm @ 100 PSI — K-factor = 75 (3000 l/min @ 7 bar)	6.0" (15.2 cm)	4.5 lb (2.0 kg)
ZN22A	2.5"-11 BSP FEMALE	500 Gpm @ 100 PSI — K-factor = 50 (2000 l/min @ 7 bar)	6.0" (15.2 cm)	4.5 lb (2.0 kg)



FOAM ATTACHMENTS

The full line of foam attachments can be found in the Foam Equipment section.

MODEL	FITS NOZZLE	LENGTH	WEIGHT
FJ-MX-MD	ZN Series Industrial Nozzles	16.20" (41.1 cm)	4.6 lb (2.1 kg)

Continued on next page.

**Frequently Purchased Protector Monitor Nozzles and Foam Attachments continued**



**INDUSTRIAL NOZZLE FOR MONITORS AND WATER CANNONS**

The full line of Master Stream Nozzles can be found in the Master Stream Nozzles Manual section.

MODEL	THREAD (RIGID)	FLOW	LENGTH	WEIGHT
ZM141	2.5"-7.5 NH FEMALE	1250 gpm @ 100 psi (4700 l/min @ 7 bar)	7.70" (19.56 cm)	7.10 lb (3.22 kg)



**SELF EDUCATING FOAM NOZZLE FOR MONITORS AND WATER CANNONS**

The full line of Self Educating Foam Nozzles can be found in the Foam Equipment section.

MODEL	THREADS	FLOW	LENGTH	WEIGHT
ZMF10A	2.5"-7.5 NH (65 mm) Female	250 gpm @ 100 psi (950 l/min @ 7 bar) K-factor = 25	10.50" (26.7 cm)	7.3 lb (3.3 kg)
ZMF11A	2.5"-7.5 NH (65 mm) NH Female	350 gpm @ 100 psi (1300 l/min @ 7 bar) K-factor = 35	10.50" (26.7 cm)	7.3 lb (3.3 kg)
ZMF12A	2.5"-7.5 NH (65 mm) Female	500 gpm @ 100 psi (2000 l/min @ 7 bar) K-factor = 50	10.50" (26.7 cm)	7.3 lb (3.3 kg)
ZMF13A	2.5"-7.5 NH (65 mm) Female	750 gpm @ 100 psi (3000 l/min @ 7 bar) K-factor = 75	10.50" (26.7 cm)	7.3 lb (3.3 kg)



**FIXED MONITOR FOAM ATTACHMENT**

The full line of foam attachments can be found in the Foam Equipment section.

MODEL	FITS NOZZLE	LENGTH	WEIGHT
FJ-LX-M	Master Force, Master Stream 1000 & 1250S and Master Foam 250-750 gpm	25.30" (64.3 cm)	6.4 lb (2.9 kg)

**HURRICANE™ MANUAL**  
**1250 gpm (4750 l/min) Fixed Station Monitor**




The Task Force Tips' Hurricane is a durable, industrial, high-capacity fixed monitor. The Hurricane has high flow and low friction loss characteristics. The red powder coat finish (inside and out), and stainless steel elevation drive make the Hurricane one appliance that can stand up to tough service environments. The Hurricane is capable of flowing 1250 gpm (4750 l/min) while maintaining a FULL 360° rotational ability. The lever-action rotational lock is activated in one motion, visually confirmed,

and securely holds the Hurricane in position. A built-in automatic drain protects the monitor from freezing. The placement of grease zerks allows the Hurricane monitor to be quickly and easily serviced and lubricated, and a threaded port 0.25" NPT (6 mm) is provided for a pressure gauge. The Hurricane is made from hard anodized ANSI A356-T6 aluminum. The Hurricane industrial monitor comes with our exclusive 5-year warranty.




**■ XFI-FLNJ**  
**19.60 lb (8.90 kg)**

- 3" ANSI 150 flange inlet
- 2.5" NH outlet




**■ XFI-FPNJ**  
**22.20 lb (10.10 kg)**

- 4" ANSI 150/DN100 PN16 flange inlet
- 2.5" NH outlet
- Galvanic isolation sleeve included (only fits 4" ANSI 150 bolt pattern)




**■ XFI-PLNJ**  
**18.20 lb (8.30 kg)**

- 3" female NPT inlet
- 2.5" NH outlet




**■ XFIE-FLNJ**  
**3" Flange Extended**  
**21.00 lb (9.50 kg)**

- 3" ANSI 150 flange inlet
- 4 bolts
- 2.5" NH outlet



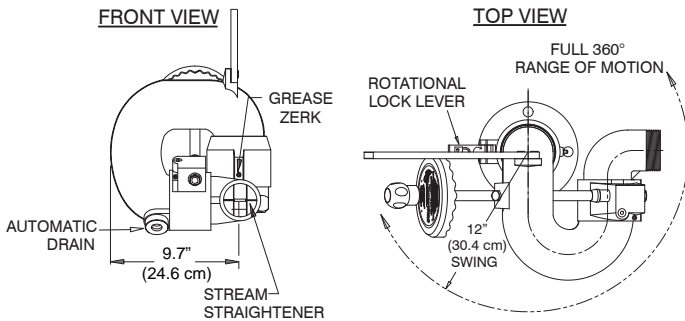
**■ XFIF-PLNJ**  
**18.20 lb (8.30 kg)**

- 3" female NPT inlet
- 2.5" NH outlet
- No tiller



**■ XFIE-FPNJ**  
**4" Flange Extended**  
**22.60 lb (10.30 kg)**

- 4" ANSI 150/DN100 PN16 flange inlet
- 2.5" NH outlet
- Galvanic isolation sleeve included (only fits 4" ANSI 150 bolt pattern)



**Conversions**  
 2.5" (65 mm)  
 3.0" (75 mm)  
 4.0" (100 mm)

**Frequently Purchased**  
**HURRICANE Manual Monitor**  
**Nozzles found on next page.**

**Frequently Purchased Hurricane Manual Monitor Nozzles and Foam Attachments**



**SMOOTHBORE STACKED TIP FOR MONITORS AND WATER CANNONS**

The full line of Smoothbore Stacked Tips can be found in the Master Stream Nozzles Manual section.

MODEL	INLET	ORIFICE OPENINGS	LENGTH	WEIGHT
MST-4NJ	2.5" NH (65 mm)	2", 1-3/4", 1-1/2", and 1-3/8" (52 mm, 45 mm, 38 mm and 35 mm)	16.90" (42.9 cm)	3.10 lb (1.40 kg)



**STREAM STRAIGHTENERS FOR MONITORS AND WATER CANNONS**

The full line of Stream Straighteners can be found in the Master Stream Nozzles Manual section.

MODEL	RIGID FEMALE INLET	RIGID MALE OUTLET	LENGTH	WEIGHT
XF-SS5	2.5" NH (65 mm)	2.5" NH (65 mm)	5" (125 mm)	1.80 lb (0.80 kg)
XF-SS10	2.5" NH (65 mm)	2.5" NH (65 mm)	10" (254 mm)	3.50 lb (1.90 kg)



**VORTEX 2 MANUAL FOR MONITORS AND WATER CANNONS**

The full line of Vortex can be found in the Master Stream Nozzles Manual section.

MODEL	INLET	OUTLET	OPERATING SYSTEM	MAXIMUM PRESSURE	FLOW	LENGTH	WEIGHT
SVJ-NJNJ	2.5" NH (65 mm)	2.5" NH (65 mm)	MANUAL	300 psi (21 bar)	Up to 1250 gpm (up to 4500 l/min)	8.4" (21.3 cm)	5.5 lb (2.5 kg)



**MASTER FORCE NOZZLE FOR MONITORS AND WATER CANNONS**

The full line of Master Stream Nozzles can be found in the Master Stream Nozzles Manual section.

MODEL	INLET	FLOW	OPERATING PRESSURE	LENGTH	WEIGHT
MC12A	2.5" NH (65 mm)	300-800 gpm (1100-3000 l/min)	100/55 psi (7/4 bar)	10.4" (26.4 cm)	9.5 lb (4.3 kg)



**MASTER STREAM NOZZLE FOR MONITORS AND WATER CANNONS**

The full line of Master Stream Nozzles can be found in the Master Stream Nozzles Manual section.

MODEL	INLET	OPERATING SYSTEM	FLOW	OPERATING PRESSURE	LENGTH	WEIGHT
M-R1000-NJ	2.5" NH (65 mm)	AUTOMATIC	150-1000 gpm (600-3800 l/min)	100 psi (7 bar)	10.0" (25.4 cm)	9.1 lb (4.1 kg)
M-RS1000-NJ	2.5" NH (65 mm)	SELECTABLE	250, 350, 500, 750, and 1000 gpm (950, 1300, 2000, 3000 and 4000 l/min)	100 psi (7 bar)	10.0" (25.4 cm)	9.1 lb (4.1 kg)
M-RF1000-NJ	2.5" NH (65 mm)	FIXED	Factory preset at the customer's specified K-factor 50 to 105 maximum. Must specify flow and pressure at time of order.		10.0" (25.4 cm)	8.3 lb (3.8 kg)



**MASTER STREAM NOZZLE FOR MONITORS AND WATER CANNONS**

The full line of Master Stream Nozzles can be found in the Master Stream Nozzles Manual section.

MODEL	INLET	OPERATING SYSTEM	FLOW	OPERATING PRESSURE	LENGTH	WEIGHT
M-R1250S-NJ	2.5" NH (65 mm)	AUTOMATIC	150-1250 gpm (570-4700 l/min)	100 psi (7 bar)	10.0" (25.4 cm)	10.4 lb (4.7 kg)
M-R1250-NJ	2.5" NH (65 mm)	AUTOMATIC	300-1250 gpm (1100-4500 l/min)	70-120 psi (4.8-8.3 bar)	12.9" (32.8 cm)	13.6 lb (6.2 kg)

**Frequently Purchased Hurricane Manual Monitor Nozzles and Foam Attachments continued**



**FIXED AND RC MONITOR FOAM ATTACHMENT**

The full line of foam attachments can be found in the Foam Equipment section.

MODEL	FITS NOZZLE	LENGTH	WEIGHT
FJ-LX-M	Master Force, Master Stream 1000 & 1250S and Master Foam 250-750 gpm	25.30" (64.3 cm)	6.4 lb (2.9 kg)



**MAX SERIES NOZZLES FOR MONITORS AND WATER CANNONS**

The full line of Master Stream Nozzles can be found in the Master Stream Nozzles Manual section.

MODEL	TYPE	INLET	COUPLING	FLOW	LENGTH	WEIGHT
MD12A	Max-Force Dual Pressure	2.5" NH (65 mm)	Rigid Rocker Lug	100-500 gpm (400-2000 l/min) 100 psi (7 bar) / 55 psi (4 bar)	9.00" (22.9 cm)	6.7 lb (3.0 kg)
MD18A	Max-Matic Automatic	2.5" NH (65 mm)	Rigid Rocker Lug	100-500 gpm (400-2000 l/min) 100 psi (7 bar)	9.00" (22.9 cm)	6.5 lb (2.9 kg)
MD17A	Max-Matic Automatic	2.5" NH (65 mm)	Rigid Rocker Lug	100-500 gpm (400-2000 l/min) 80 psi (6 bar)	9.00" (22.9 cm)	6.5 lb (2.9 kg)
MD14A	Max-Flow Fixed Gallonage	2.5" NH (65 mm)	Rigid Rocker Lug	500 gpm (2000 l/min) 100 psi (7 bar)	9.00" (22.9 cm)	6.5 lb (2.9 kg)



**INDUSTRIAL NOZZLE FOR MONITORS AND WATER CANNONS**

The full line of Master Stream Nozzles can be found in the Master Stream Nozzles Manual section.

MODEL	INLET	FLOW	LENGTH	WEIGHT
ZN11A	2.5"-7.5 NH FEMALE	350 Gpm @ 100 PSI — K-factor = 35 (1300 l/min @ 7 bar)	6.0" (15.2 cm)	4.5 lb (2.0 kg)
ZN12A	2.5"-7.5 NH FEMALE	500 Gpm @ 100 PSI — K-factor = 50 (2000 l/min @ 7 bar)	6.0" (15.2 cm)	4.5 lb (2.0 kg)
ZN13A	2.5"-7.5 NH FEMALE	750 Gpm @ 100 PSI — K-factor = 75 (3000 l/min @ 7 bar)	6.0" (15.2 cm)	4.5 lb (2.0 kg)



**FOAM ATTACHMENTS**

The full line of foam attachments can be found in the Foam Equipment section.

MODEL	FITS NOZZLE	LENGTH	WEIGHT
FJ-MX-MD	Max-Series and ZN Series Industrial Nozzles	16.20" (41.1 cm)	4.6 lb (2.1 kg)



**INDUSTRIAL NOZZLE FOR MONITORS AND WATER CANNONS**

The full line of Master Stream Nozzles can be found in the Master Stream Nozzles Manual section.

MODEL	THREAD (RIGID)	FLOW	LENGTH	WEIGHT
ZM141	2.5"-7.5 NH FEMALE	1250 gpm @ 100 psi (4700 l/min @ 7 bar)	7.70" (19.56 cm)	7.10 lb (3.22 kg)

**Continued on next page.**



**Frequently Purchased Hurricane Manual Monitor Nozzles and Foam Attachments continued**



**SELF EDUCATING FOAM NOZZLE FOR MONITORS AND WATER CANNONS**

The full line of Self Educating Foam Nozzles can be found in the Foam Equipment section.

MODEL	THREADS	FLOW	LENGTH	WEIGHT
ZMF10A	2.5"-7.5 NH (65 mm) Female	250 gpm @ 100 psi (950 l/min @ 7 bar) K-factor = 25	10.50" (26.7 cm)	7.3 lb (3.3 kg)
ZMF11A	2.5"-7.5 NH (65 mm) NH Female	350 gpm @ 100 psi (1300 l/min @ 7 bar) K-factor = 35	10.50" (26.7 cm)	7.3 lb (3.3 kg)
ZMF12A	2.5"-7.5 NH (65 mm) Female	500 gpm @ 100 psi (2000 l/min @ 7 bar) K-factor = 50	10.50" (26.7 cm)	7.3 lb (3.3 kg)
ZMF13A	2.5"-7.5 NH (65 mm) Female	750 gpm @ 100 psi (3000 l/min @ 7 bar) K-factor = 75	10.50" (26.7 cm)	7.3 lb (3.3 kg)



**FIXED AND RC MONITOR FOAM ATTACHMENT**

The full line of foam attachments can be found in the Foam Equipment section.

MODEL	FITS NOZZLE	LENGTH	WEIGHT
FJ-LX-M	Master Force, Master Stream 1000 & 1250S and Master Foam 250-750 gpm	25.30" (64.3 cm)	6.4 lb (2.9 kg)

**HURRICANE™ Packages**

HURRICANE Combination Packages combine the most often purchased components into a simple-to-order package. Contact TFT customer service for assistance.



*Product examples shown. See chart for specific product package combinations.*



HURRICANE PACKAGE MODEL	EXTEND-A-GUN	HURRICANE MONITOR	NOZZLE 1	ACCESSORY 1
	EXTEND-A-GUN BRACKET		NOZZLE 2	ACCESSORY 2
XIC-V831-L	XG18VL-PL EXTEND-A-GUN 18"- VIC X NPT	XFI-PLNJ HURRICANE MONITOR ALUMINUM	M-R1000-NJ MASTER STREAM 1000 W/HALO AUTO 2.5" NH	XF-SS10 STREAM STRAIGHTENER 10" 2.5" NH THREADS
	XGB-33 BRACKET SET 3" SADDLE/ SADDLE		MST-4NJ 4 STACKED TIPS 2.5" NHF	
XIC-V832-S	XG18VL-PL EXTEND-A-GUN 18"- VIC X NPT	XFI-PLNJ HURRICANE MONITOR ALUMINUM	M-R1250S-NJ MASTER STREAM 1250S W/ HALO AUTO 2.5" NH	XF-SS5 STREAM STRAIGHTENER 5" 2.5" NH THREADS
	XGB-33 BRACKET SET 3" SADDLE/ SADDLE		MST-4NJ 4 STACKED TIPS 2.5" NHF	



**HURRICANE™ RC**  
**1250 gpm (4750 l/min) Remote Controlled Monitor**

The Hurricane RC is an electric remote controlled monitor, with a single low-profile waterway discharge. The Hurricane RC has high flow and low friction loss characteristics. Capable of flowing 1250 gpm (4750 l/min) while maintaining a FULL 450° rotational travel (225° either side of center). Maximum operating pressure is 200 psi (14 bar). Field changeable horizontal rotation stops at 45°, 90° and 135° either side of center position. Elevation range is 90° above horizontal to 45° below. Designed for 12 VDC or 24 VDC volt operation, selection is automatic. The Hurricane RC comes with a control panel mounted on the monitor for horizontal rotation, elevation, nozzle pattern, programmable PARK and Oscillate. The motor control circuits are factory installed on the monitor and use position encoders and current limiting to protect the drive train at the ends of travel. Unit comes with 30 feet of ultra-flexing robotics power

cable already wired to the monitor, and is enclosed in a unique cable guide that allows FULL 450° of horizontal travel, which is far more reliable than slip rings or coil cords. Knobs for manual override are also provided. TFT's Master Stream ERP nozzles plug into the factory installed nozzle power wire. Electric drives and control box are waterproof. Standard outlet is 2.5" NH (65 mm) male thread. A built-in automatic drain protects the monitor from freezing. A threaded port (0.25" NPT) (6 mm) is provided for optional pressure gauge. The monitor is made from hardcoat anodized ANSI 356-T6 aluminum and silver powder coat finish inside and out. For wireless operation, purchase wireless operator station and radio/antenna found in the RC Monitor Controls and Accessories section of the catalog. Inlet also made for direct connection to TFT's electric Extend-A-Gun RC3, RC4, and Extend-A-Gun VP.



**XFIH-E11A**

SAMPLE PART NUMBER  
**39.0 lb (17.7 kg)**

- 3" ANSI (75 mm) 150 flange inlet
- 2.5" NH (65 mm) outlet
- See Remote Control Accessories Section for monitor control options.
- IP66/67 ingress protection on electronics

MODEL	INLET	OUTLET
XFIH-E11A	3" ANSI 150	2.5"-7.5 NH Male
XFIH-EL1A	TFT Code-RLF*	2.5"-7.5 NH Male
XFIH-EL2A	TFT Code-RLF*	2.5"-11 BSP Male
XFIH-E22A	4" ANSI 150 / DN100 PN16 Flange	2.5"-11 BSP Male

**Conversions**  
 2.5" (65 mm)  
 3.0" (75 mm)  
 4.0" (100 mm)

\* TFT CODE-RLF fits Extend-A-Gun RC3 and Extend-A-Gun VP with RLM outlet.

**Frequently Purchased HURRICANE RC Monitor Nozzles and Accessories found on next page.**

Frequently Purchased Hurricane RC Monitor Nozzles, Accessories, and Foam Attachments



**SMOOTHBORE STACKED TIP FOR RC MONITORS**

The full line of Smoothbore Stacked Tips can be found in the Master Stream Nozzles Manual section.

MODEL	INLET	ORIFICE OPENINGS	LENGTH	WEIGHT
MST-4NJ	2.5" NH (65 mm)	2", 1-3/4", 1-1/2", and 1-3/8" (52 mm, 45 mm, 38 mm and 35 mm)	16.90" (42.9 cm)	3.10 lb (1.40 kg)



**STREAM STRAIGHTENERS FOR RC MONITORS**

The full line of Stream Straighteners can be found in the Master Stream Nozzles Manual section.

MODEL	RIGID FEMALE INLET	RIGID MALE OUTLET	LENGTH	WEIGHT
XF-SS5	2.5" NH (65 mm)	2.5" NH (65 mm)	5" (125 mm)	1.80 lb (0.80 kg)
XF-SS10	2.5" NH (65 mm)	2.5" NH (65 mm)	10" (254 mm)	3.50 lb (1.90 kg)



**VORTEX 2 ER FOR RC MONITORS**

The full line of Vortex can be found in the Master Stream Nozzles RC section.

MODEL	INLET	OUTLET	OPERATING SYSTEM	MAXIMUM PRESSURE	FLOW	LENGTH	WEIGHT
SVJE-NJNJ	2.5" NH (65 mm)	2.5" NH (65 mm)	ELECTRIC REMOTE	300 psi (21 bar)	Up to 1250 gpm (up to 4500 l/min)	8.4" (21.3 cm)	7.9 lb (3.6 kg)



**MASTER FORCE ERP NOZZLE FOR RC MONITORS**

The full line of Master Stream Nozzles can be found in the Master Stream Nozzles RC section.

MODEL	INLET	FLOW	OPERATING PRESSURE	SMART STREAM TECHNOLOGY	LENGTH	WEIGHT
MC-ERP-12A	2.5" NH (65 mm)	300-800 gpm (1100-3000 l/min)	100/55 psi (7/4 bar)	YES	11.6" (29.5 cm)	14.2 lb (6.4 kg)
MC-ER-12A	2.5" NH (64mm)	300-800 gpm (1100-3000 l/min)	100/55 psi (7/4 bar)	NO	11.6" (29.5 cm)	14.2 lb (6.4 kg)



**MASTER STREAM ERP NOZZLE FOR RC MONITORS**

The full line of Master Stream Nozzles can be found in the Master Stream Nozzles RC section.

MODEL	INLET	FLOW	OPERATING PRESSURE	SMART STREAM TECHNOLOGY	LENGTH	WEIGHT
M-ERP1000-NJ	2.5" NH (65 mm)	150-1000 gpm (570-3800 l/min)	100 psi (7 bar)	YES	12.0" (30.5 cm)	13.7 lb (6.2 kg)
M-ERP1250SNJ	2.5" NH (65 mm)	150-1250 gpm (570-4700 l/min)	100 psi (7 bar)	YES	12.0" (30.5 cm)	13.7 lb (6.2 kg)
M-ERP1250-NJ	2.5" NH (65 mm)	300-1250 gpm (1100-4500 l/min)	70-120 psi (4.8-8.3 bar)	YES	13.0" (33.0 cm)	18.4 lb (8.3 kg)



**RC MONITOR FOAM ATTACHMENT**

The full line of foam attachments can be found in the Foam Equipment section.

MODEL	FITS NOZZLE	LENGTH	WEIGHT
FJ-LX-M	Master Force, Master Stream 1000 & 1250S	25.30" (64.3 cm)	6.4 lb (2.9 kg)



**REMOTE CONTROL ACCESSORIES**

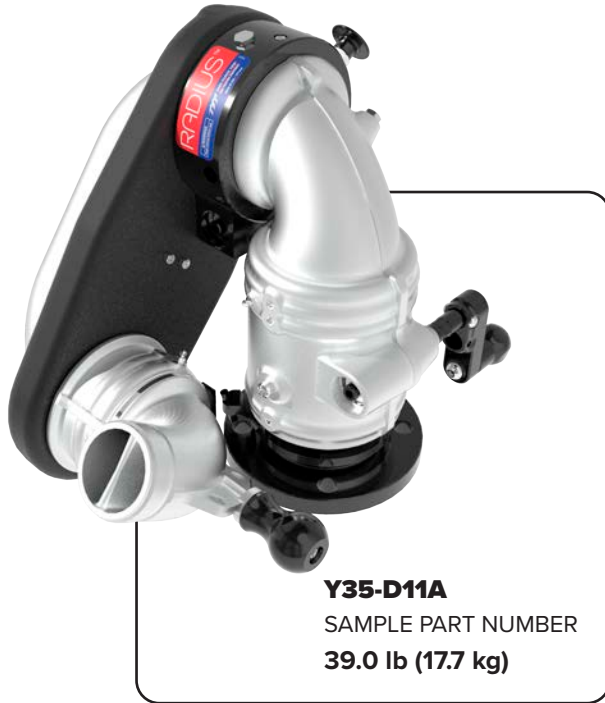
The full line of Remote Control Accessories can be found in the Remote Control Accessories section.

MODEL	DESCRIPTION
YE-RF-RAD-9	WIRELESS RADIO AND ANTENNA 900 MHZ
YE-RF-RAD-24	WIRELESS RADIO AND ANTENNA 2.4 GHZ

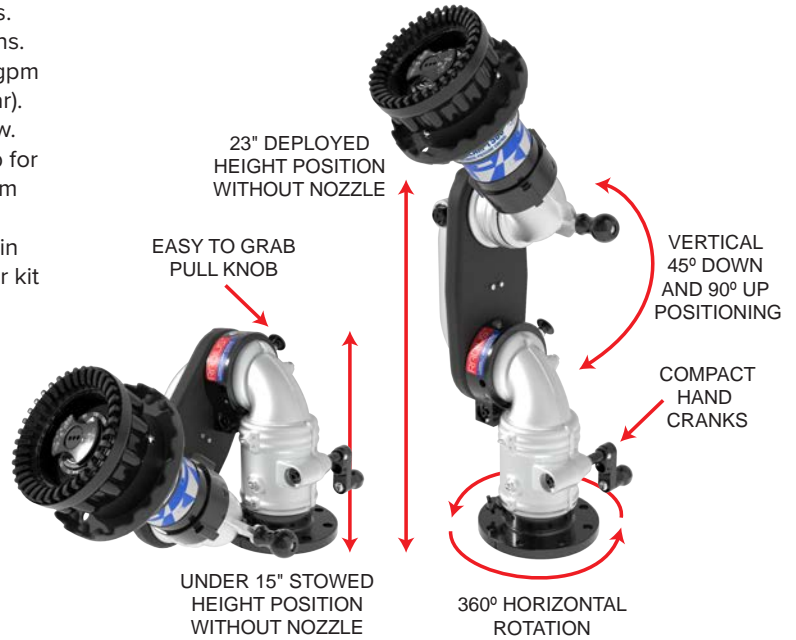
**RADIUS™**

**1500 Gpm (5700 l/min) Manually Controlled Deck Mount Extendable Monitor**

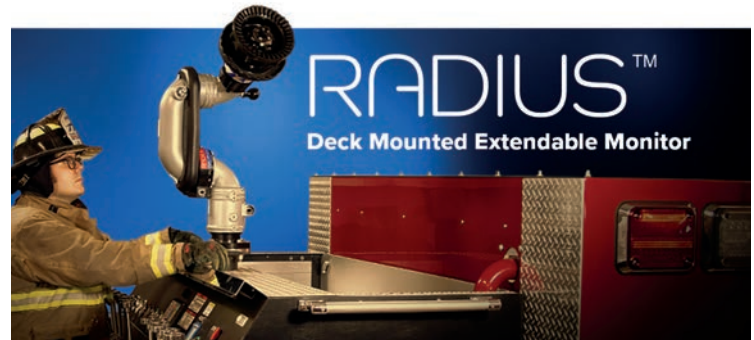
The RADIUS monitor is a manually operated deck mounted monitor with raised and lowered nozzle operating positions. The raised position lets the stream clear nearby obstructions. The compact and efficient design allows flows up to 1500 gpm (5700 l/min). Maximum operating pressure is 200 psi (14 bar). Nozzle elevation range is 90° above horizontal to 45° below. Continuous horizontal rotation with a field changeable stop for 90° either side of a center position. The Radius is made from hard anodized ANSI A356-T6 aluminum with silver powder coat finish inside and out. The monitor's inlet flanges contain female pipe threads to facilitate mounting. A stowed sensor kit is included.



**Y35-D11A**  
SAMPLE PART NUMBER  
**39.0 lb (17.7 kg)**



Above: RADIUS Y35-D11A with MASTER STREAM M-R-1500-NN



MODEL	INLET	OUTLET	VDC STOWED SENSOR RELAY KIT
Y35-D21A	3" ANSI 150 / 3" NPT Female	3.5" - 6 NH Male	Add "-24" to the end of the part number for 24 VDC stowed sensor relay kit. Otherwise 12 VDC sensor relay kit will be supplied.
Y35-D24A	3" ANSI 150 / 3" NPT Female	2.5" - 7.5 NH Male	
Y35-D25A-24	3" ANSI 150 / 3" NPT Female	2.5" - 11 BSP Male	

**Conversions**  
2.5" (65 mm)  
3.0" (75 mm)  
3.5" (90 mm)  
4.0" (100 mm)

**Frequently Purchased RADIUS Monitor Nozzles and Foam Attachments found on next page.**

**Frequently Purchased RADIUS Monitor Nozzles and Foam Attachments 2.5" (65 mm) Outlet Series**



**SMOOTHBORE STACKED TIP FOR MONITORS AND WATER CANNONS**

The full line of Smoothbore Stacked Tips can be found in the Master Stream Nozzles Manual section.

MODEL	INLET	ORIFICE OPENINGS	LENGTH	WEIGHT
MST-4NJ	2.5" NH (65 mm)	2", 1-3/4", 1-1/2", and 1-3/8" (52 mm, 45 mm, 38 mm and 35 mm)	16.90" (42.9 cm)	3.10 lb (1.40 kg)



**STREAM STRAIGHTENERS FOR MONITORS AND WATER CANNONS**

The full line of Stream Straighteners can be found in the Master Stream Nozzles Manual section.

MODEL	RIGID FEMALE INLET	RIGID MALE OUTLET	LENGTH	WEIGHT
XF-SS5	2.5" NH (65 mm)	2.5" NH (65 mm)	5" (125 mm)	1.80 lb (0.80 kg)
XF-SS10	2.5" NH (65 mm)	2.5" NH (65 mm)	10" (254 mm)	3.50 lb (1.90 kg)



**VORTEX 2 MANUAL FOR MONITORS AND WATER CANNONS**

The full line of Vortex can be found in the Master Stream Nozzles Manual section.

MODEL	INLET	OUTLET	OPERATING SYSTEM	MAXIMUM PRESSURE	FLOW	LENGTH	WEIGHT
SVJ-NJNJ	2.5" NH (65 mm)	2.5" NH (65 mm)	MANUAL	300 psi (21 bar)	Up to 1250 gpm (up to 4500 l/min)	8.4" (21.3 cm)	5.5 lb (2.5 kg)



**MASTER FORCE NOZZLE FOR MONITORS AND WATER CANNONS**

The full line of Master Stream Nozzles can be found in the Master Stream Nozzles Manual section.

MODEL	INLET	FLOW	OPERATING PRESSURE	LENGTH	WEIGHT
MC12A	2.5" NH (65 mm)	300-800 gpm (1100-3000 l/min)	100/55 psi (7/4 bar)	10.4" (26.4 cm)	9.5 lb (4.3 kg)



**MASTER STREAM NOZZLE FOR MONITORS AND WATER CANNONS**

The full line of Master Stream Nozzles can be found in the Master Stream Nozzles Manual section.

MODEL	INLET	OPERATING SYSTEM	FLOW	OPERATING PRESSURE	LENGTH	WEIGHT
M-R1000-NJ	2.5" NH (65 mm)	AUTOMATIC	150-1000 gpm (600-3800 l/min)	100 psi (7 bar)	10.0" (25.4 cm)	9.1 lb (4.1 kg)
M-RS1000-NJ	2.5" NH (65 mm)	SELECTABLE	250, 350, 500, 750, and 1000 gpm (950, 1300, 2000, 3000 and 4000 l/min)	100 psi (7 bar)	10.0" (25.4 cm)	9.1 lb (4.1 kg)
M-RF1000-NJ	2.5" NH (65 mm)	FIXED	Factory preset at the customer's specified K-factor 50 to 105 maximum. Must specify flow and pressure at time of order.		10.0" (25.4 cm)	8.3 lb (3.8 kg)
M-R1250S-NJ	2.5" NH (65 mm)	AUTOMATIC	150-1250 gpm (570-4700 l/min)	100 psi (7 bar)	10.0" (25.4 cm)	10.4 lb (4.7 kg)



**FIXED MONITOR FOAM ATTACHMENT**

The full line of foam attachments can be found in the Foam Equipment section.

MODEL	FITS NOZZLE	LENGTH	WEIGHT
FJ-LX-M	Master Force, Master Stream 1000 & 1250S	25.30" (64.3 cm)	6.4 lb (2.9 kg)

**Continued on next page.**

**Frequently Purchased RADIUS Monitor Nozzles and Foam Attachments 2.5" (65 mm) Outlet Series cont.**



**MASTER STREAM NOZZLE FOR MONITORS AND WATER CANNONS**

The full line of Master Stream Nozzles can be found in the Master Stream Nozzles Manual section.

MODEL	INLET	OPERATING SYSTEM	FLOW	OPERATING PRESSURE	LENGTH	WEIGHT
M-R1250-NJ	2.5" NH (65 mm)	AUTOMATIC	300-1250 gpm (1100-4500 l/min)	70-120 psi (4.8-8.3 bar)	12.9" (32.8 cm)	13.6 lb (6.2 kg)



**FIXED MONITOR FOAM ATTACHMENT**

The full line of foam attachments can be found in the Foam Equipment section.

MODEL	FITS NOZZLE	LENGTH	WEIGHT
FJ-LX-M3	Master Stream 1250 Large Body and 1500	29.90" (76.0 cm)	10.9 lb (4.94 kg)

**Frequently Purchased RADIUS Monitor Nozzles and Foam Attachments 3.5" (90 mm) Outlet Series**



**SMOOTHBORE TIPS FOR MONITORS AND WATER CANNONS**

The full line of Smoothbore Tips can be found in the Master Stream Nozzles Manual section.

MODEL	INLET FEMALE	ORIFICE	LENGTH	WEIGHT
YST-4NN	3.5" NH (90 mm)	2-3/4", 2-1/2", 2-1/4", and 2" (70 mm, 65 mm, 57 mm and 52 mm)	22.0" (55.9 cm)	10.7 lb (4.9 kg)
YST-3NN	3.5" NH (90 mm)	2-1/2", 2-1/4", and 2" (65 mm, 57 mm and 52 mm)	12.70" (32.3 cm)	4.9 lb (2.2 kg)
YST-1NN	3.5" NH (90 mm)	2-1/2" (65 mm) Replaces Stream Straightener section on YST-4NN for use with Vortex 3.	6.1" (15.5 cm)	2.7 lb (1.2 kg)



**VORTEX 3 MANUAL FOR MONITORS AND WATER CANNONS**

The full line of Vortex can be found in the Master Stream Nozzles Manual section.

MODEL	INLET	OUTLET	OPERATING SYSTEM	MAXIMUM PRESSURE	FLOW	LENGTH	WEIGHT
SVN-NNNN	3.5" NH (90 mm)	3.5" NH (90 mm)	MANUAL	300 psi (21 bar)	Up to 2500 gpm (up to 9500 l/min)	9.0" (22.9 cm)	11.5 lb (5.2 kg)



**MASTER STREAM NOZZLE FOR MONITORS AND WATER CANNONS**

The full line of Master Stream Nozzles can be found in the Master Stream Nozzles Manual section.

MODEL	INLET	OPERATING SYSTEM	FLOW	OPERATING PRESSURE	LENGTH	WEIGHT
M-R1250-NN	3.5" NH (90 mm)	AUTOMATIC	300-1250 gpm (1100-4500 l/min)	70-120 psi (4.8-8.3 bar)	12.0" (30.5 cm)	14.3 lb (6.5 kg)
M-R1500-NN	3.5" NH (90 mm)	AUTOMATIC	300 - 1500 gpm (1100 - 6000 l/min)	70 - 120 psi (4.8 - 8.3 bar)	12.0" (32.0 cm)	14.4 lb (6.5 kg)



**FIXED MONITOR FOAM ATTACHMENT**

The full line of foam attachments can be found in the Foam Equipment section.

MODEL	FITS NOZZLE	LENGTH	WEIGHT
FJ-LX-M3	Master Stream 1250 Large Body and 1500	29.90" (76.0 cm)	10.9 lb (4.94 kg)

**TYPHOON™ RC**

**Remote Controlled Monitor 1500 gpm (6000 l/min) Designed for Pumper Applications**



The Typhoon RC is an electrically operated monitor for flows up to 1500 gpm (6000 l/min). Maximum operating pressure is 200 psi (14 bar). Waterway with turning vane has only 19 psi (1.3 bar) loss at 1500 gpm (6000 l/min). Designed for 12 VDC or 24 VDC operation, selection is automatic. The Typhoon RC comes with a factory installed control panel mounted to the monitor for controlling horizontal rotation, elevation, nozzle pattern, and programmable PARK and Oscillate. The motor controls use position encoders and current limiting to protect the drive train at ends of travel. Knobs are installed so the monitor may be manually operated in the event of a power failure. Field

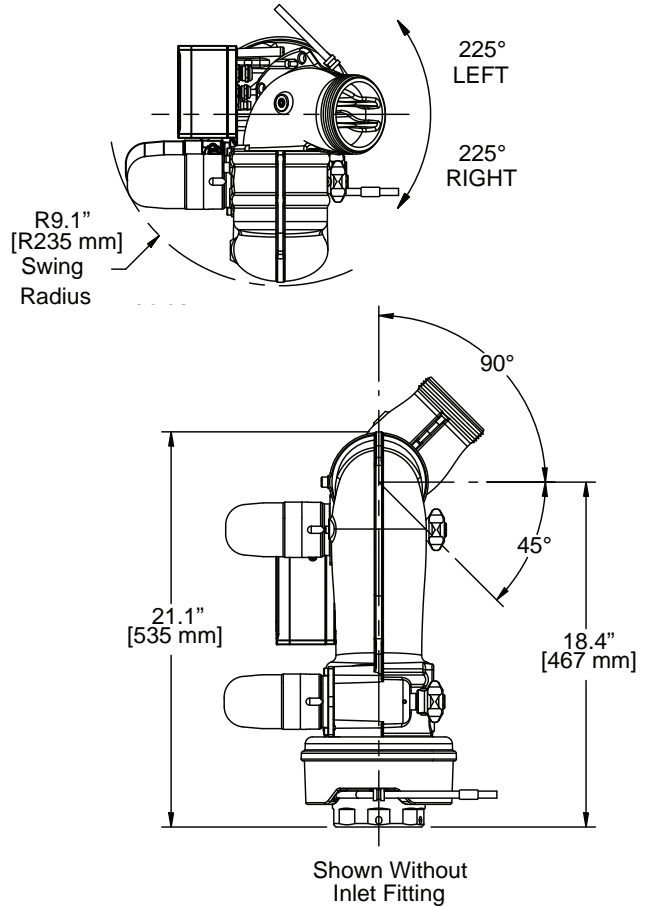
changeable stops for horizontal travel at 45, 90, and 135° either side of a center position. Horizontal travel without stops is 225° left and right (450° total). Available with various inlet flanges and threaded fittings. Inlet also made for direct connection to TFT's electric Extend-A-Gun RC3, RC4, and Extend-A-Gun VP. Main waterway made from hardcoat anodized ANSI 356-T6 aluminum. Silver powder coat finish inside and out. Standard outlet is 3.5" NH (90 mm) male thread. For wireless operation, purchase wireless operator station and radio/antenna found in the RC Monitor Controls and Accessories section of the catalog.



**Y5-E21A**

**37.2 lbs (16.9 kg)**

- Large, flow efficient waterway
- IP66/67 ingress protection on electronics



MODEL	ACTUATION	INLET	OUTLET
Y5-E21A	Electric	4" ANSI 150 / DN100 PN16 Flange	3.5"- 6 NH Male

**Conversions**  
 3.5" (90 mm)  
 4.0" (100 mm)





**TYPHOON™ RC**

**Remote Controlled Monitor - 1500 gpm (6000 l/min) Designed for Ladder Applications**

The Typhoon RC for Ladder installations is similar to the standard Typhoon RC. This model has the horizontal travel limited to 90° left and right (180° total). Various models are available with different elevation ranges –see the figure and table below for details. Ladder models include an electronics enclosure and 10' of cable to connect signals from the primary control station (such as the turntable toggle switches). These signals can either be hard wired or from a Canbus output module. The primary control signals will always override any signals from the secondary control or the monitor operator station. The electronics enclosure is factory configured to accept +12/24 VDC signals, but can be reconfigured in the field to accept ground signals. This electronics enclosure also

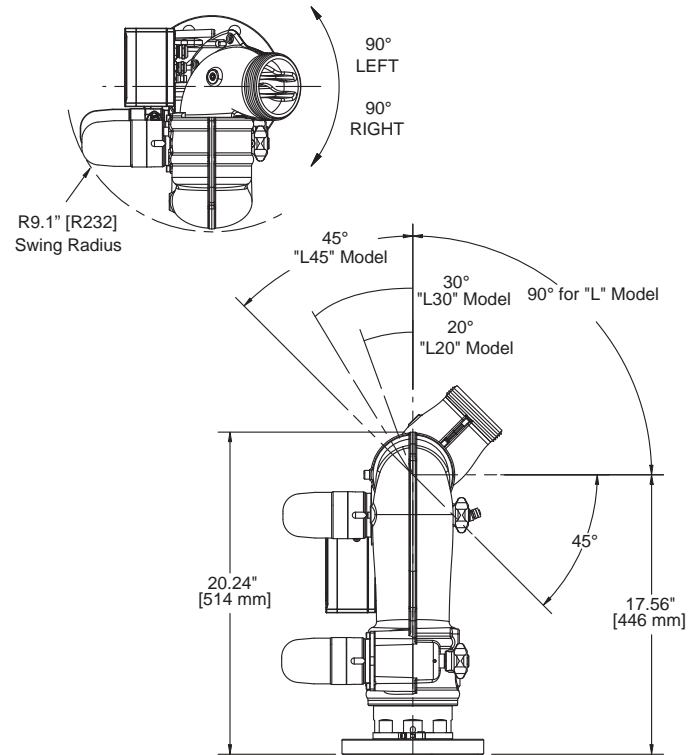
includes a relay to indicate when the monitor is in the PARK position and contacts that can be connected to the Canbus or multiplex system. A monitor mounted control panel allows vertical, horizontal, and nozzle pattern adjustments and programmable PARK and Oscillate. For wireless operation, purchase wireless operator station and radio/antenna found in the RC Monitor Controls and Accessories section of the catalog. Contact TFT customer service for assistance.

Ladder electronics enclosures includes inputs for DEPLOY monitor, INHIBIT monitor, and LIMIT VERTICAL movement on -L## models with extra travel.

**Y5-EP1A-L30**  
 SAMPLE PART NUMBER  
**37.20 lbs (16.90 kg)**

- Large, flow efficient waterway
- Additional upward travel options
- IP66/67 ingress protection on electronics

• Includes Multi-point Aerial Interface



MODEL	INLET	OUTLET	CONFIGURATION
Y5-EP1A-L30	TFT CODE-RPF**	3.5" - 6 NH Male	Ladder w/30° Extra Elevation
Y5-EB1A-L302	1.5" Offset with 4" ANSI 150 / DN100 PN16*+	3.5" - 6 NH Male	Ladder w/30° Extra Elevation
Y5-E21A-L-03	4" ANSI 150 / DN100 PN16	3.5" - 6 NH Male	Ladder w/ Extended Inlet
Y5-EA1A-L201	1.5" Offset with TFT CODE-RPF* **+	3.5" - 6 NH Male	Ladder w/20° Extra Elevation (without Electronic Interface Box)
Y5-EA1A-L20	1.5" Offset with TFT CODE-RPF* **+	3.5" - 6 NH Male	Ladder w/20° Extra Elevation

**Conversions**  
 1.5" (38 mm)  
 3.5" (90 mm)  
 4.0" (100 mm)

\* Does not include anti-back drive gear box  
 \*\* TFT CODE-RLF fits Valve Under Monitor VUM  
 + Inlet Options A & B increase operating clearance by offsetting the monitor inlet forward by 1.5" (38 mm).

**Frequently Purchased TYPHOON RC Monitor Nozzles and Accessories found on next page.**

Frequently Purchased **TYPHOON** Monitor Nozzles, Accessories, and Foam Attachments



**SMOOTHBORE TIPS FOR MONITORS AND WATER CANNONS**

The full line of Smoothbore Tips can be found in the Master Stream Nozzles Manual section.

MODEL	INLET FEMALE	ORIFICE	LENGTH	WEIGHT
YST-4NN	3.5" NH (90 mm)	2-3/4", 2-1/2", 2-1/4", and 2" (70 mm, 65 mm, 57 mm and 52 mm)	22.0" (55.9 cm)	10.7 lb (4.9 kg)
YST-3NN	3.5" NH (90 mm)	2-1/2", 2-1/4", and 2" (65 mm, 57 mm and 52 mm)	12.70" (32.3 cm)	4.9 lb (2.2 kg)
YST-1NN	3.5" NH (90 mm)	2-1/2" (65 mm) Replaces Stream Straightener section on YST-4NN for use with Vortex 3.	6.1" (15.5 cm)	2.7 lb (1.2 kg)



**VORTEX 3 ER FOR RC MONITORS**

The full line of Vortex can be found in the Master Stream Nozzles RC section.

MODEL	INLET	OUTLET	OPERATING SYSTEM	MAXIMUM PRESSURE	FLOW	LENGTH	WEIGHT
SVNE-NNNN	3.5" NH (90 mm)	3.5" NH (90 mm)	ELECTRIC REMOTE	300 psi (21 bar)	Up to 2500 gpm (up to 9500 l/min)	9.0" (22.9 cm)	13.9 lb (6.3 kg)



**MASTER STREAM RC NOZZLE**

The full line of foam attachments can be found in the Master Stream Nozzles RC section.

MODEL	INLET	FLOW	OPERATING PRESSURE	SMART STREAM TECHNOLOGY	LENGTH	WEIGHT
M-ERP1250-NN	3.5" NH (90 mm)	300-1250 gpm (1100-4500 l/min)	70-120 psi (4.8-8.3 bar)	YES	12.0" (30.5 cm)	17.3 lb (7.8 kg)



**MASTER STREAM RC NOZZLE**

The full line of foam attachments can be found in the Master Stream Nozzles RC section.

MODEL	INLET	FLOW	OPERATING PRESSURE	SMART STREAM TECHNOLOGY	LENGTH	WEIGHT
M-ERP1500-NN	3.5" NH (90 mm)	300-1500 gpm (1100-6000 l/min)	70-120 psi (4.8-8.3 bar)	YES	12.0" (32.0 cm)	17.3 lb (7.8 kg)



**RC MONITOR FOAM ATTACHMENT**

The full line of foam attachments can be found in the Foam Equipment section.

MODEL	FITS NOZZLE	LENGTH	WEIGHT
FJ-LX-M3	Master Stream 1250 Large Body and 1500	29.90" (76.0 cm)	10.9 lb (4.94 kg)



**POWER CONDITIONER FOR RC MONITORS**

The full line of Controllers and Accessories can be found in the RC Monitor Controllers and Accessories section.

MODEL	DESCRIPTION	LENGTH	WEIGHT
YE-PWR-COND	Power Conditioner that Easily connects in-line to maintain clean power to monitor or VUM.	8" L x 3.5" W x 2.5" H (20.3 x 8.9 x 6.4)	1.86 lbs. (844 gr)



**REMOTE CONTROL ACCESSORIES**

The full line of Remote Control Accessories can be found in the Remote Control Accessories section.

MODEL	DESCRIPTION
YE-RF-RAD-9	WIRELESS RADIO AND ANTENNA 900 MHZ
YE-RF-RAD-24	WIRELESS RADIO AND ANTENNA 2.4 GHZ

**MONSOON® 1250**

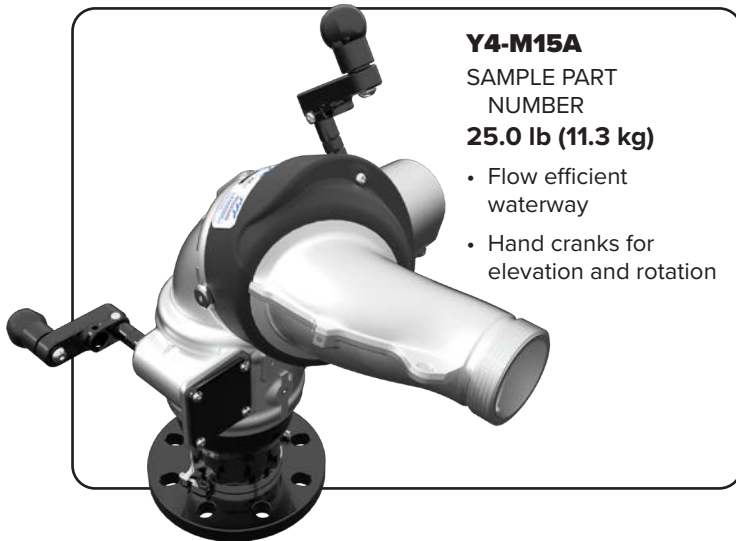
**Manually Controlled Monitor - 1250 gpm (4750 l/min)**



The Monsoon is a manually operated monitor designed for flows up to 1250 gpm (4750 l/min). Maximum operating pressure is 200 psi (14 bar). Unique patented segmented waterway has only 6 psi (0.4 bar) friction loss at 1250 gpm (4750 l/min). Water makes very few turns as it travels through the monitor resulting in low friction loss and a far-reaching effective stream. Elevation range is 90° above horizontal to 45° below. Field changeable elevation travel stops at 45° above, 30° above, and 30° below horizontal. The manual model has continuous horizontal rotation with field changeable stops at 45, 90 and 135° either side

of a center position. Available with various inlet flanges and threaded fittings. Inlet also made for direct connection to TFT's Extend-A-Gun series and Valve Under Monitor series. See chart below for model numbers. Main waterway made from hardcoat anodized aluminum.

Silver powder coat finish inside and out is standard, except when "- Z" is added to the end of the model number. Models ending in "- Z" have American Red powder coat finish. Standard outlet is 2.5" NH (65 mm) male thread.



**Y4-M15A**  
SAMPLE PART NUMBER  
**25.0 lb (11.3 kg)**

- Flow efficient waterway
- Hand cranks for elevation and rotation



**Y4-T15A-Z**  
SAMPLE PART NUMBER

**26.0 lb (11.8 kg)**

- Hand crank for elevation
- Tiller bar for rotation
- Rotation locking knob

MODEL	ACTUATION	INLET	OUTLET
Y4-M15A	Manual	3" ANSI 150 Flange	2.5" NHM
Y4-T15A-Z	Tiller	3" ANSI 150 Flange	2.5" NHM
Y4-M25A-Z	Manual	4" ANSI 150/DN100 PN16 Flange	2.5" NHM
Y4-T25A-Z	Tiller	4" ANSI 150/DN100 PN16 Flange	2.5" NHM

**Conversions**  
2.5" (65 mm)  
3.0" (75 mm)

-Z Designates red powder coat inside and out.

**Frequently Purchased MONSOON 2.5" Outlet Monitor Nozzles and Foam Attachments found at the end of this section.**

**Frequently Purchased MONSOON Manual 2.5" Outlet Monitor Nozzles and Foam Attachments**



**SMOOTHBORE STACKED TIP FOR MONITORS AND WATER CANNONS**

The full line of Smoothbore Stacked Tips can be found in the Master Stream Nozzles Manual section.

MODEL	INLET	ORIFICE OPENINGS	LENGTH	WEIGHT
MST-4NJ	2.5" NH (65 mm)	2", 1-3/4", 1-1/2", and 1-3/8" (52 mm, 45 mm, 38 mm and 35 mm)	16.90" (42.9 cm)	3.10 lb (1.40 kg)



**STREAM STRAIGHTENER FOR MONITORS AND WATER CANNONS**

The full line of Stream Straighteners can be found in the Master Stream Nozzles Manual section.

MODEL	LENGTH	INLET / OUTLET
XF-SS5	5" (125 mm)	2.5" NH (65 mm)
XF-SS10	10" (254 mm)	2.5" NH (65 mm)



**VORTEX 2 FOR MONITORS AND WATER CANNONS**

The full line of Vortex can be found in the Master Stream Nozzles Manual section.

MODEL	INLET	OUTLET	OPERATING SYSTEM	MAXIMUM PRESSURE	FLOW	LENGTH	WEIGHT
SVJ-NJNJ	2.5" NH (65 mm)	2.5" NH (65 mm)	MANUAL	300 psi (21 bar)	Up to 1250 gpm (up to 4500 l/min)	8.4" (21.3 cm)	5.5 lb (2.5 kg)



**MASTER FORCE NOZZLE FOR MONITORS AND WATER CANNONS**

The full line of Master Stream Nozzles can be found in the Master Stream Nozzles Manual section.

MODEL	INLET	FLOW	OPERATING PRESSURE	LENGTH	WEIGHT
MC12A	2.5" NH (65 mm)	300-800 gpm (1100-3000 l/min)	100/55 psi (7/4 bar)	10.4" (26.4 cm)	9.5 lb (4.3 kg)



**MASTER STREAM NOZZLE FOR MONITORS AND WATER CANNONS**

The full line of Master Stream Nozzles can be found in the Master Stream Nozzles Manual section.

MODEL	INLET	OPERATING SYSTEM	FLOW	OPERATING PRESSURE	LENGTH	WEIGHT
M-R1000-NJ	2.5" NH (65 mm)	AUTOMATIC	150-1000 gpm (570-3800 l/min)	100 psi (7 bar)	10.0" (25.4 cm)	9.1 lb (4.1 kg)
M-RS1000-NJ	2.5" NH (65 mm)	SELECTABLE	250, 350, 500, 750, and 1000 gpm (950, 1300, 2000, 3000 and 4000 l/min)	100 psi (7 bar)	10.0" (25.4 cm)	9.1 lb (4.1 kg)
M-RF1000-NJ	2.5" NH (65 mm)	FIXED	Factory preset at the customer's specified K-factor 50 to 105 maximum. Must specify flow and pressure at time of order.		10.0" (25.4 cm)	8.3 lb (3.8 kg)



**MASTER STREAM NOZZLE FOR MONITORS AND WATER CANNONS**

The full line of Master Stream Nozzles can be found in the Master Stream Nozzles Manual section.

MODEL	INLET	OPERATING SYSTEM	FLOW	OPERATING PRESSURE	LENGTH	WEIGHT
M-R1250S-NJ	2.5" NH (65 mm)	AUTOMATIC	150-1250 gpm (570-4700 l/min)	100 psi (7 bar)	10.0" (25.4 cm)	10.4 lb (4.7 kg)
M-R1250-NJ	2.5" NH (65 mm)	AUTOMATIC	300-1250 gpm (1100-4500 l/min)	70-120 psi (4.8-8.3 bar)	12.9" (32.8 cm)	13.6 lb (6.2 kg)

**Frequently Purchased MONSOON Manual 2.5" Outlet Monitor Nozzles and Foam Attachments**



**FIXED MONITOR FOAM ATTACHMENT**

The full line of foam attachments can be found in the Foam Equipment section.

MODEL	FITS NOZZLE	LENGTH	WEIGHT
FJ-LX-M	Master Force, Master Stream 1000 & 1250S and Master Foam 250-750 gpm	25.30" (64.3 cm)	6.4 lb (2.9 kg)



**INDUSTRIAL NOZZLE FOR MONITORS AND WATER CANNONS**

The full line of Master Stream Nozzles can be found in the Master Stream Nozzles Manual section.

MODEL	THREAD (RIGID)	FLOW	LENGTH	WEIGHT
ZM141	2.5"-7.5 NH FEMALE	1250 gpm @ 100 psi (4700 l/min @ 7 bar)	7.70" (19.56 cm)	7.10 lb (3.22 kg)



**SELF EDUCTING FOAM NOZZLE FOR MONITORS AND WATER CANNONS**

The full line of Self Educting Foam Nozzles can be found in the Foam Equipment section.

MODEL	THREADS	FLOW	LENGTH	WEIGHT
ZMF13A	2.5"-7.5 NH (65 mm) Female	750 gpm @ 100 psi (3000 l/min @ 7 bar) K-factor = 75	10.50" (26.7 cm)	7.3 lb (3.3 kg)

**MONSOON® RC 1250**

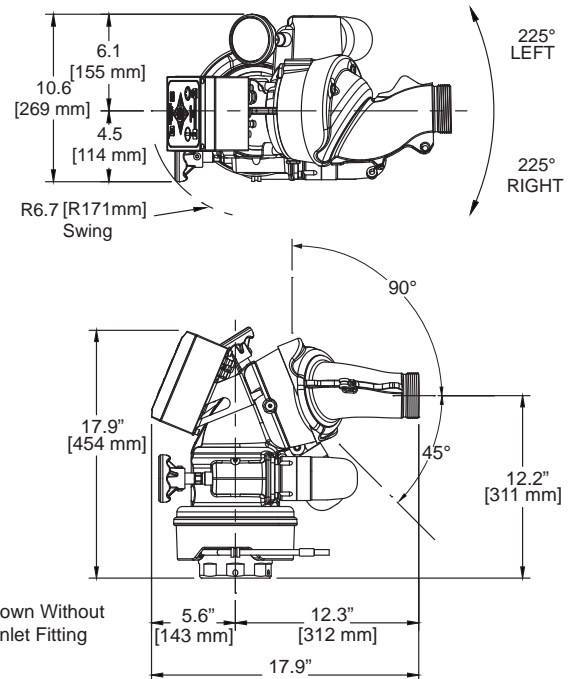
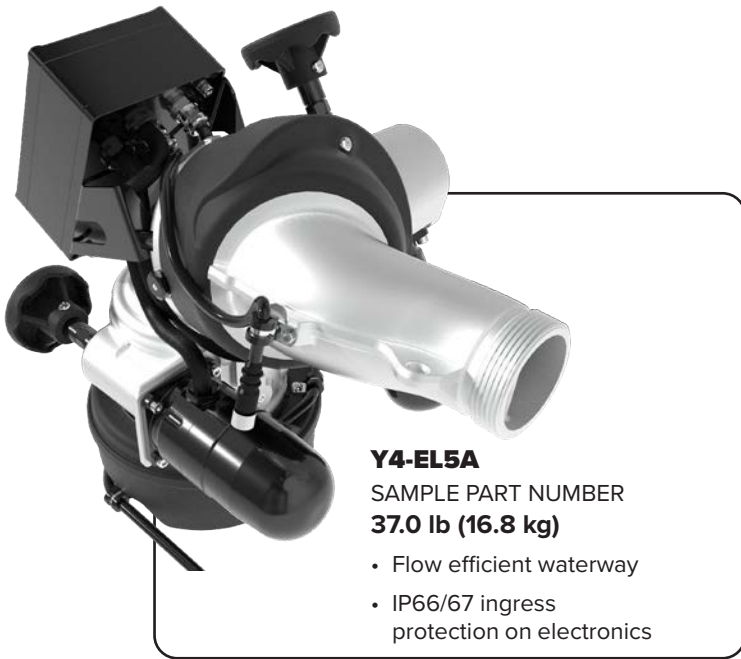
**Remote Controlled Monitor - 1250 gpm (4750 l/min) Designed for Pumper Applications**



The Monsoon RC for pumper installations is an electric remote controlled monitor that has all the benefits of the Monsoon monitor with the addition of powered operation. It has a greater horizontal sweep angle than the RC model for Ladder or Platform installations. Designed for 12 VDC or 24 VDC operation, selection is automatic. The Monsoon RC comes with a factory installed control panel mounted on the monitor for controlling horizontal rotation, elevation, nozzle pattern and programmable PARK and Oscillate. The motor control circuits are factory installed on the monitor and use position encoders and current limiting to protect the drive train at the ends of travel. Unit comes with 30' (10 m) of ultra-flexing robotics cable already wired to the monitor so installation effort is minimized. Cable has only four conductors (two for power and two for communications), further easing the installation effort. Cable is

enclosed in a unique wire guide that allows 450° of horizontal travel (225° either side of a center position), which is far more reliable than slip rings or coil cords. Knobs for manual override are provided on the horizontal rotation and elevation drive. TFT's Master ERP nozzles plug into the factory installed nozzle power wire. Electric drives and control box are waterproof and have a IP66/IP67 rating. Main waterway made from hardcoat anodized aluminum. Silver powder coat finish inside and out. Standard outlet is 2.5" NH (65 mm) rigid male thread. Other outlets are available. For wireless operation, purchase wireless operator station and radio/antenna found in the RC Monitor Controls and Accessories section of the catalog.

All TFT RC monitors are capable of being controlled by multiplex CANbus system. Contact factory for details.



MODEL	ACTUATION	INLET	OUTLET
Y4-EL5A	Electric	TFT CODE-RLF*	2.5" NHM
Y4-E15A	Electric	3" ANSI 150 Flange	2.5" NHM
Y4-E55A	Electric	DN100 PN16 Flange	2.5" NHM
Y4-E25A	Electric	4" ANSI 150 / DN100 PN16 Flange	2.5" NHM

**Conversions**  
 2.5" (65 mm)  
 4.0" (100 mm)

\* TFT CODE-RLF fits Extend-A-Gun RC3 and Extend-A-Gun VP with RLM outlet.

**Frequently Purchased MONSOON 2.5" Outlet Monitor Nozzles and Accessories found at the end of this section.**

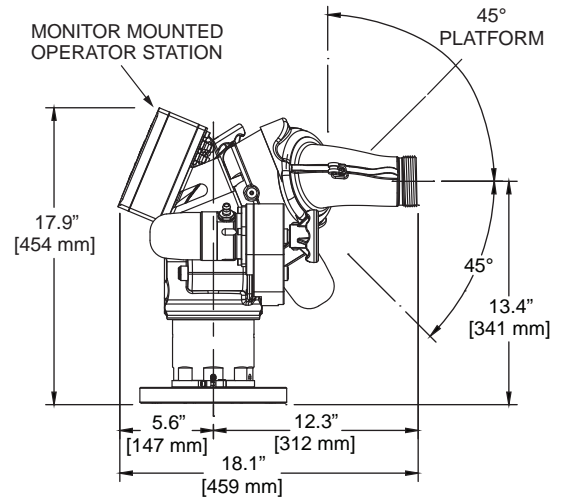
**MONSOON® RC 1250**

**Remote Controlled High Clearance - 1250 gpm (4750 l/min) Designed for Platform Applications**



The Monsoon RC for Platform installations is similar to the standard Monsoon RC. This model of Monsoon RC has the control box mounted at the top to give a reduced swing radius, thereby giving more clearance for Platform Installations. Knobs for manual override are provided on the horizontal rotation and elevation drive. Also comes with factory installed travel stops to limit the horizontal travel to 180° (90° either side of a center

position). The monitor can be controlled using the CANbus module for operation and for indication that the monitor is in the PARK position. A monitor mounted control panel allows vertical, horizontal nozzle pattern adjustments and programmable Park and Oscillate. For wireless operation, purchase wireless operator station and radio/antenna found in the RC Monitor Controls and Accessories section of the catalog.



All TFT RC monitors are capable of being controlled by multiplex CANbus system.

MODEL	INLET	OUTLET	CONFIGURATION
Y4-E15A-P-01	3" ANSI 150 Flange	2.5" NHM	Platform - No Electronics Interface box

Conversions  
 2.5" (65 mm)  
 3.0" (75 mm)

**Frequently Purchased MONSOON 2.5" Outlet Monitor Nozzles and Accessories found at the end of this section.**

Frequently Purchased **MONSOON RC 2.5" Outlet Monitor Nozzles and Accessories**



**POWER CONDITIONER FOR RC MONITORS**

The full line of Controllers and Accessories can be found in the RC Monitor Controllers and Accessories section.

MODEL	DESCRIPTION	LENGTH	WEIGHT
YE-PWR-COND	Power Conditioner that Easily connects in-line to maintain clean power to monitor or VUM.	8" L x 3.5" W x 2.5" H (20.3 x 8.9 x 6.4)	1.86 lbs. (844 gr)



**REMOTE CONTROL ACCESSORIES**

The full line of Remote Control Accessories can be found in the Remote Control Accessories section.

MODEL	DESCRIPTION
YE-RF-RAD-9	WIRELESS RADIO AND ANTENNA 900 MHZ
YE-RF-RAD-24	WIRELESS RADIO AND ANTENNA 2.4 GHZ



**MULTIPLEX ADAPTER FOR RC MONITOR**

The full line of Controllers and Accessories can be found in the RC Monitor Controllers and Accessories section.

MODEL	DESCRIPTION	LENGTH	WEIGHT
YE-CAN2	Converts CANbus signals into serial communications for controlling a TFT RC monitor or valve	5.40" L x 1.64" W x 1.36" H (13.7 x 4.2 x 3.5 cm)	3.0 oz (85 gr)



**SMOOTHBORE STACKED TIP FOR RC MONITORS**

The full line of Smoothbore Stacked Tips can be found in the Master Stream Nozzles Manual section.

MODEL	INLET	ORIFICE OPENINGS	LENGTH	WEIGHT
MST-4NJ	2.5" NH (65 mm)	2", 1-3/4", 1-1/2", and 1-3/8" (52 mm, 45 mm, 38 mm and 35 mm)	16.90" (42.9 cm)	3.10 lb (1.40 kg)



**STREAM STRAIGHTENER FOR RC MONITORS**

The full line of Stream Straighteners can be found in the Master Stream Nozzles Manual section.

MODEL	LENGTH	INLET / OUTLET
XF-SS5	5" (125 mm)	2.5" NH (65 mm)
XF-SS10	10" (254 mm)	2.5" NH (65 mm)



**VORTEX 2 ER FOR RC MONITORS**

The full line of Vortex can be found in the Master Stream Nozzles RC section.

MODEL	INLET	OUTLET	OPERATING SYSTEM	MAXIMUM PRESSURE	FLOW	LENGTH	WEIGHT
SVJ-NJNJ	2.5" NH (65 mm)	2.5" NH (65 mm)	MANUAL	300 psi (21 bar)	Up to 1250 gpm (up to 4500 l/min)	8.4" (21.3 cm)	5.5 lb (2.5 kg)



**MASTER FORCE ERP NOZZLE FOR RC MONITORS**

The full line of Master Stream Nozzles can be found in the Master Stream Nozzles Manual section.

MODEL	INLET	FLOW	OPERATING PRESSURE	SMART STREAM TECHNOLOGY	LENGTH	WEIGHT
MC-ERP-12A	2.5" NH (65 mm)	300-800 gpm (1100-3000 l/min)	100/55 psi (7/4 bar)	YES	11.6" (29.5 cm)	14.2 lb (6.4 kg)



**MASTER STREAM ERP NOZZLE FOR RC MONITORS**

The full line of Master Stream Nozzles can be found in the Master Stream Nozzles Manual section.

MODEL	INLET	FLOW	OPERATING PRESSURE	SMART STREAM TECHNOLOGY	LENGTH	WEIGHT
M-ERP1000-NJ	2.5" NH (65 mm)	150-1000 gpm (570-3800 l/min)	100 psi (7 bar)	YES	12.0" (30.5 cm)	13.7 lb (6.2 kg)
M-ERP1250SNJ	2.5" NH (65 mm)	150-1250 gpm (570-4700 l/min)	100 psi (7 bar)	YES	12.0" (30.5 cm)	13.7 lb (6.2 kg)
M-ERP1250-NJ	2.5" NH (65 mm)	300-1250 gpm (1100-4500 l/min)	70-120 psi (4.8-8.3 bar)	YES	13.0" (33.0 cm)	18.4 lb (8.3 kg)



**MONSOON® 2000**

**Manually Controlled Monitor - 2000 gpm (7600 l/min)**



The Monsoon is a manually operated monitor designed for flows up to 2000 gpm (7600 l/min). Maximum operating pressure is 200 psi (14 bar). Unique patented segmented waterway has only 15 psi (1 bar) friction loss at 2000 gpm. Water makes very few turns as it travels through the monitor resulting in low friction loss and a far-reaching effective stream. Elevation range is 90° above horizontal to 45° below. Field changeable elevation travel stops at 45° above, 30° above, and 30° below horizontal. The manual model has continuous horizontal rotation with field

changeable stops at 45, 90 and 135° either side of a center position. Available with various inlet flanges and threaded fittings. Inlet also made for direct connection to TFT's Valve Under Monitor series. Main waterway made from hardcoat anodized ANSI 356-T6 aluminum.

Silver powder coat finish inside and out is standard, except when "- Z" is added to the end of the model number. Models ending in "- Z" have American Red powder coat finish. Standard outlet is 3.5" NH (90 mm) male thread.



**Y4-M21A**  
SAMPLE PART NUMBER  
**25.0 lb (11.3 kg)**

- High flow waterway design
- Crank handles for elevation and rotation



**Y4-T21A-Z**  
SAMPLE PART NUMBER  
**31.1 lb (14.1 kg)**

- Crank handle for elevation
- Tiller bar with locking knob for rotation

MODEL	ACTUATION	INLET	OUTLET
Y4-M21A	Manual	4" ANSI 150 DN100 PN16 Flange	3.5"-6 NH Male
Y4-MP1A-P-01*	Manual	TFT CODE-RPF**	3.5"-6 NH Male
INDUSTRIAL MODELS	ACTUATION	INLET	OUTLET
Y4-M21A-Z	Manual	4" ANSI 150 DN100 PN16 Flange	3.5"-6 NH Male
Y4-T21A-Z	Tiller	4" ANSI 150 DN100 PN16 Flange	3.5"-6 NH Male

**Conversions**  
3.5" (90 mm)  
4.0" (100 mm)

-Z Designates red powder coat inside and out.

\* Aerial Platform model with rotation stops at 90° left/right of center, elevation stop at 45° above horizontal, and lower profile elevation shaft

\*\* TFT CODE-RPF fits Extend-A-Gun RC4, and VUM

**Frequently Purchased MONSOON 3.5" Outlet Monitor Nozzles and Foam Attachments found at the end of this section.**

**Frequently Purchased MONSOON 3.5" Outlet Monitor Nozzles and Foam Attachments**



**SMOOTHBORE TIPS FOR MONITORS AND WATER CANNONS**

The full line of Smoothbore Tips can be found in the Master Stream Nozzles Manual section.

MODEL	INLET FEMALE	ORIFICE	LENGTH	WEIGHT
YST-4NN	3.5" NH (90 mm)	2-3/4", 2-1/2", 2-1/4", and 2" (70 mm, 65 mm, 57 mm and 52 mm)	22.0" (55.9 cm)	10.7 lb (4.9 kg)
YST-3NN	3.5" NH (90 mm)	2-1/2", 2-1/4", and 2" (65 mm, 57 mm and 52 mm)	12.70" (32.3 cm)	4.9 lb (2.2 kg)
YST-1NN	3.5" NH (90 mm)	2-1/2" (65 mm) Replaces Stream Straightener section on YST-4NN for use with Vortex 3.	6.1" (15.5 cm)	2.7 lb (1.2 kg)



**VORTEX 3 MANUAL FOR MONITORS AND WATER CANNONS**

The full line of Vortex can be found in the Master Stream Nozzles Manual section.

MODEL	INLET	OUTLET	OPERATING SYSTEM	MAXIMUM PRESSURE	FLOW	LENGTH	WEIGHT
SVN-NNNN	3.5" NH (90 mm)	3.5" NH (90 mm)	MANUAL	300 psi (21 bar)	Up to 2500 gpm (up to 9500 l/min)	9.0" (22.9 cm)	11.5 lb (5.2 kg)



**MASTER STREAM NOZZLE FOR MONITORS AND WATER CANNONS**

The full line of Master Stream Nozzles can be found in the Master Stream Nozzles Manual section.

MODEL	INLET	OPERATING SYSTEM	FLOW	OPERATING PRESSURE	LENGTH	WEIGHT
M-R1250-NN	3.5" NH (90 mm)	AUTOMATIC	300-1250 gpm (1100-4500 l/min)	70-120 psi (4.8-8.3 bar)	12.0" (30.5 cm)	14.3 lb (6.5 kg)
M-R1500-NN	3.5" NH (90 mm)	AUTOMATIC	300 - 1500 gpm (1100 - 6000 l/min)	70 - 120 psi (4.8 - 8.3 bar)	12.0" (32.0 cm)	14.4 lb (6.5 kg)
M-R2000-NN	3.5" NH (90 mm)	AUTOMATIC	300 - 2000 gpm (1100 - 7600 l/min)	80-120 psi (5.5-8.0 bar)	12.1" (30.7 cm)	18.7 lb (8.5 kg)



**FIXED MONITOR FOAM ATTACHMENT**

The full line of foam attachments can be found in the Foam Equipment section.

MODEL	FITS NOZZLE	LENGTH	WEIGHT
FJ-LX-M3	Master Stream 1250 Large Body and 1500	29.90" (76.0 cm)	10.9 lb (4.94 kg)



**INDUSTRIAL NOZZLE FOR MONITORS AND WATER CANNONS**

The full line of Master Stream Nozzles can be found in the Master Stream Nozzles Manual section.

MODEL	THREAD (RIGID)	FLOW	LENGTH	WEIGHT
ZO14	3.5"-6 NH FEMALE	2000 Gpm @ 100 PSI - K-factor = 200 (7500 l/min @ 7 bar)	11.60" (29.5 cm)	22.00 lb (10.0 kg)

**SELF EDUCTING MASTER STREAM NOZZLE FOR MONITORS AND WATER CANNONS**

The full line of Self Educting Master Stream Nozzles can be found in the Foam Equipment section.

MODEL	THREADS	FLOW	LENGTH	WEIGHT
<b>1500 or 2000 gpm (5700 or 7700 l/min) Self-Educting Foam Nozzles</b>				
ZMF16	3.5"-6 NH (90 mm) NH Coupling	1500 gpm @ 100 psi (5700 l/min @ 7 bar) K-factor = 150	11.38" (28.9 cm)	24.8 lbs (11.2 kg)
ZMF17	3.5"-6 NH (90 mm) NH Coupling	2000 gpm @ 100 psi (7700 l/min @ 7 bar) K-factor = 200	11.38" (28.9 cm)	24.8 lbs (11.2 kg)



**MONSOON® RC 2000**

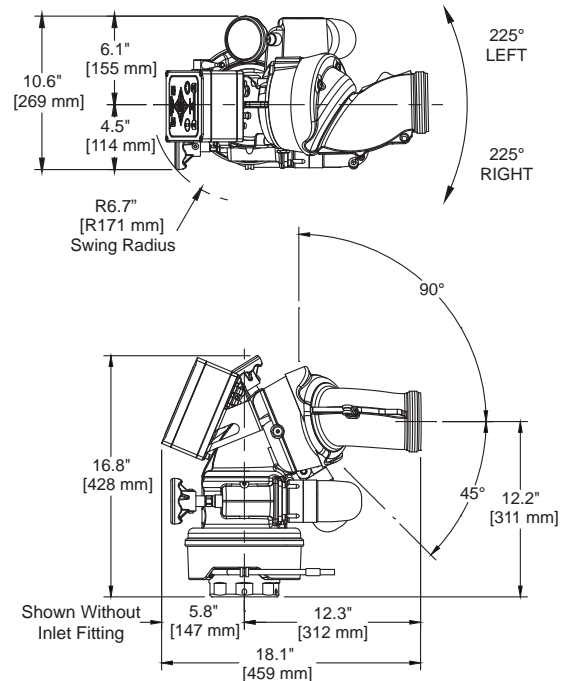
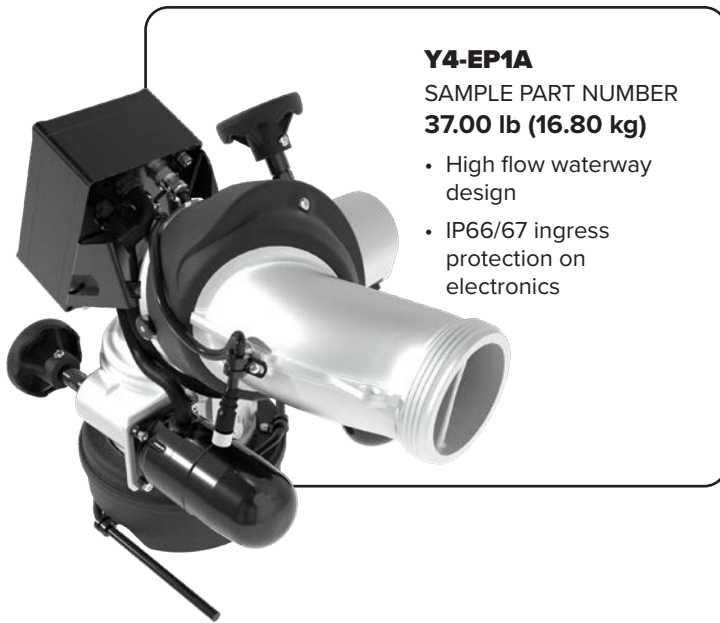
**Remote Controlled Deck Monitor - 2000 gpm (7600 l/min) Designed for Pumper Applications**



The Monsoon RC for pumper installations is an electric remote controlled monitor that has all the benefits of the Monsoon monitor with the addition of powered operation. Designed for 12 VDC or 24 VDC operation, selection is automatic. The Monsoon RC comes with a factory installed control panel mounted on the monitor for controlling horizontal rotation, elevation, nozzle pattern and programmable PARK and Oscillate. The motor control circuits are factory installed on the monitor and use position encoders and current limiting to protect the drive train at the ends of travel. Unit comes with 30 feet of ultra-flexing robotics cable already wired to the monitor so installation effort is minimized. Cable has only four conductors (two for power and two for communications), further easing the installation effort. Cable is enclosed in a unique wire guide that allows

450° of horizontal travel (225° either side of a center position), which is far more reliable than slip rings or coil cords. Knobs for manual override are provided on the horizontal rotation and elevation drive. TFT's Master ERP nozzles plugs into the factory installed nozzle power wire. Electric drives and control box are waterproof. Main waterway made from hardcoat anodized ANSI 356-T6 aluminum. Silver powder coat finish inside and out. Standard outlet is 3.5" NH (90 mm) rigid male thread. For wireless operation, purchase wireless operator station and radio/antenna found in the RC Monitor Controls and Accessories section of the catalog.

All TFT RC monitors are capable of being controlled by multiplex CANbus system.



MODEL	ACTUATION	INLET	OUTLET
Y4-E21A	Electric	4" ANSI 150 / DN100 PN16 Flange	3.5"- 6 NH Male
Y4-EP1A	Electric	TFT CODE-RPF*	3.5"- 6 NH Male

**Conversions**  
 3.5" (90 mm)  
 4.0" (100 mm)

\* TFT CODE-RPF fits Extend-A-Gun RC4 RPM outlet.

**Frequently Purchased MONSOON 3.5" Outlet Monitor Nozzles and Accessories found at the end of this section.**

**MONSOON® RC 2000**

**Remote Controlled High Clearance - 2000 gpm (7600 l/min)**

**Designed For Ladder and Platform Applications**

The Monsoon RC for Ladder or Platform installations is similar to the standard Monsoon RC. This model of Monsoon RC has the control box mounted at the top to give a reduced swing radius, thereby giving more clearance for Ladder Truck or Platform Installations. Knobs for manual override are provided on the horizontal rotation and elevation drive. Also comes with factory installed travel stops to limit the horizontal travel to 180° (90° either side of a center position). Some Ladder and Platform models include an electronics enclosure and 10' of cable to connect signals from the primary control station (such as the turntable toggle switches). These signals can either be hard wired or from a Canbus output module output. The Platform model's electronics enclosure contains an additional 10' cable to connect signals from a secondary control station (such as from basket toggle switches). The primary control signals will always override any signals from the secondary control or the monitor operator station. The electronics enclosure is factory configured to accept +12/24 VDC signals, but can be reconfigured in field to accept ground signals. This electronics enclosure also includes a relay to indicate when the monitor is in PARK position and has

contacts that can be connected into the Canbus or multiplex system. A monitor mounted control panel allows vertical, horizontal nozzle pattern adjustments and programmable PARK and Oscillate.

Ladder/platform electronics enclosures includes inputs for DEPLOY monitor, INHIBIT monitor.

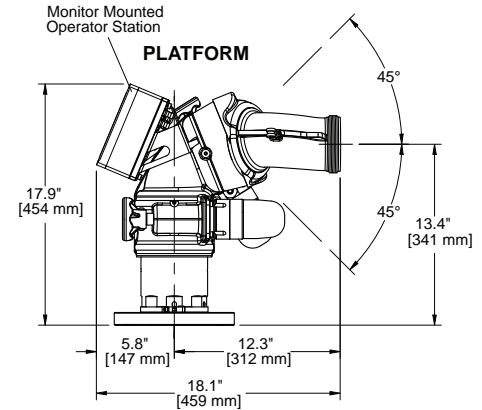
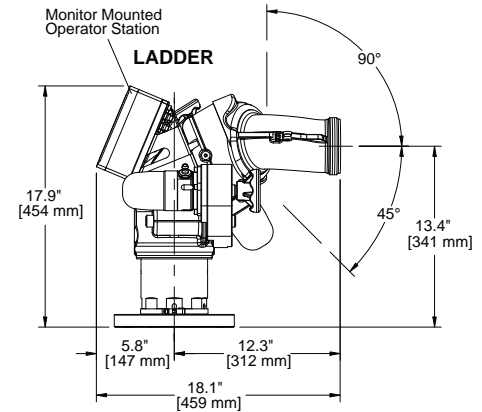
All Ladder & Platform version monitors include electronic "sit/stay" feature to keep powered monitor from rotating during travel.

Ladder version monitors (unless otherwise noted) include anti-back drive gear box to keep unpowered monitor from rotating during road travel.



**Y4-EP1A-L**  
 SAMPLE PART NUMBER  
**37.00 lb (16.80 kg)**

- High flow waterway design
- IP66/67 ingress protection on electronics



MODEL	INLET	OUTLET	CONFIGURATION
Y4-E21A-P-01	4" ANSI 150 / DN100 PN16 Flange	3.5"-6 NH Male	Platform - No Electronics Interface box
Y4-EP1A-P-01	TFT CODE-RPF**	3.5"-6 NH Male	Platform - No Electronics Interface box
Y4-EP1A-L	TFT CODE-RPF **	3.5"-6 N H Male	Ladder

**Conversions**  
 3.5" (90 mm)  
 4.0" (100 mm)

\*\* TFT CODE-RPF fits VUM

**Frequently Purchased MONSOON 3.5" Outlet Monitor Nozzles and Accessories found at the end of this section.**

Frequently Purchased **MONSOON RC 3.5" Outlet Monitor Nozzles and Foam Attachments**



**POWER CONDITIONER FOR RC MONITORS**

The full line of Controllers and Accessories can be found in the RC Monitor Controllers and Accessories section.

MODEL	DESCRIPTION	LENGTH	WEIGHT
YE-PWR-COND	Power Conditioner that Easily connects in-line to maintain clean power to monitor or VUM.	8" L x 3.5" W x 2.5" H (20.3 x 8.9 x 6.4)	1.86 lbs. (844 gr)



**REMOTE CONTROL ACCESSORIES**

The full line of Remote Control Accessories can be found in the Remote Control Accessories section.

MODEL	DESCRIPTION
YE-RF-RAD-9	WIRELESS RADIO AND ANTENNA 900 MHZ
YE-RF-RAD-24	WIRELESS RADIO AND ANTENNA 2.4 GHZ



**MULTIPLEX ADAPTER FOR RC MONITOR**

The full line of Controllers and Accessories can be found in the RC Monitor Controllers and Accessories section.

MODEL	DESCRIPTION	LENGTH	WEIGHT
YE-CAN2	Converts CANbus signals into serial communications for controlling a TFT RC monitor or valve	5.40" L x 1.64" W x 1.36" H (13.7 x 4.2 x 3.5 cm)	3.0 oz (85 gr)



**SMOOTHBORE TIPS FOR RC MONITORS**

The full line of Smoothbore Tips can be found in the Master Stream Nozzles Manual section.

MODEL	INLET FEMALE	ORIFICE	LENGTH	WEIGHT
YST-4NN	3.5" NH (90 mm)	2-3/4", 2-1/2", 2-1/4", and 2" (70 mm, 65 mm, 57 mm and 52 mm)	22.0" (55.9 cm)	10.7 lb (4.9 kg)
YST-3NN	3.5" NH (90 mm)	2-1/2", 2-1/4", and 2" (65 mm, 57 mm and 52 mm)	12.70" (32.3 cm)	4.9 lb (2.2 kg)
YST-1NN	3.5" NH (90 mm)	2-1/2" (65 mm) Replaces Stream Straightener section on YST-4NN for use with Vortex 3.	6.1" (15.5 cm)	2.7 lb (1.2 kg)



**VORTEX 3 ER FOR RC MONITORS**

The full line of Vortex can be found in the Master Stream Nozzles RC section.

MODEL	INLET	OUTLET	OPERATING SYSTEM	MAXIMUM PRESSURE	FLOW	LENGTH	WEIGHT
SVNE-NNNN	3.5" NH (90 mm)	3.5" NH (90 mm)	ELECTRIC REMOTE	300 psi (21 bar)	Up to 2500 gpm (up to 9500 l/min)	9.0" (22.9 cm)	13.9 lb (6.3 kg)



**MASTER STREAM RC NOZZLE**

The full line of foam attachments can be found in the Master Stream Nozzles RC section.

MODEL	INLET	FLOW	OPERATING PRESSURE	SMART STREAM TECHNOLOGY	LENGTH	WEIGHT
M-ERP1250-NN	3.5" NH (90 mm)	300-1250 gpm (1100-4500 l/min)	70-120 psi (4.8-8.3 bar)	YES	12.0" (30.5 cm)	17.3 lb (7.8 kg)
M-ERP1500-NN	3.5" NH (90 mm)	300-1500 gpm (1100-6000 l/min)	70-120 psi (4.8-8.3 bar)	YES	12.0" (32.0 cm)	17.3 lb (7.8 kg)
M-ERP2000-NN	3.5" NH (90 mm)	300 - 2000 gpm (1100 - 7600 l/min)	80-120 psi (5.5-8.3 bar)	YES	12.1" (30.7 cm)	22.3 lb (10.1 kg)

**TSUNAMI™ RC**

**Remote Controlled Monitor - Up To 8,000 gpm (30,000 l/min)**

The Tsunami RC is an electric remote controlled monitor capable of flowing 8,000 gpm (30,000 l/min). Waterway with turning vane has only 15 psi (1 bar) friction loss at 8,000 gpm (30,000 l/min). Elevation range is 90° above horizontal to 10° below. Field changeable elevation travel stops. Horizontal travel is 320° (160° either side of a center position). Field changeable horizontal travel stops. Designed for 12 VDC or 24 VDC operation, selection is automatic. The Tsunami monitor comes with a control panel on the monitor for horizontal rotation, elevation, nozzle pattern, programmable Park and Oscillate.

The motor control circuits use position encoders and current limiting to protect the drive train at the ends of travel. Unit has waterproof factory installed plug on power wire for easy removal or reinstallation. Handwheel for manual override are provided on the horizontal rotation and elevation drive. Electric drives and control box are waterproof and have a IP66/IP67 rating. Main waterway made from hardcoat anodized aluminum. Silver powder coat finish inside and out. For wireless operation, purchase wireless operator station and radio/antenna found in the RC Monitor Controls and Accessories section of the catalog.

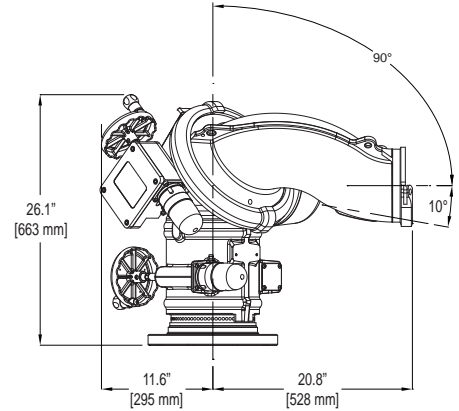
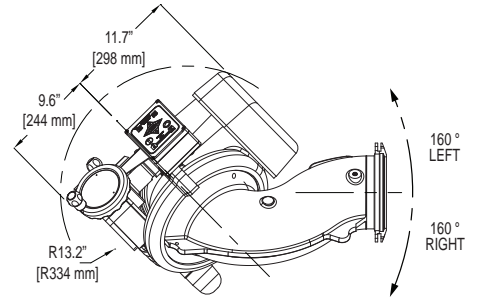


**FOR VERTICAL MOUNTING ONLY**

**Y8-E11A**

**174.0 lb (78.9 kg)**

- 8" ANSI (200 mm) 150 flange inlet
- Quick connect outlet
- IP66/67 ingress protection on electronics



MODEL	ACTUATION	INLET	OUTLET
Y8-E11A	Electric	8" ANSI 150	Tsunami Quick Connect

Conversions  
8.0" (200 mm)

**Frequently Purchased TSUNAMI Monitor Nozzles and Accessories found on next page.**

**Frequently Purchased TSUNAMI Monitor Nozzles**



**SMOOTHBORE TIPS FOR RC MONITORS**

The full line of Smoothbore Tips can be found in the Master Stream Nozzles Manual section.

MODEL	INLET	ORIFICE OPENINGS	LENGTH	WEIGHT
YST-8NX	Tsunami Quick Connect	5-1/8", 4-1/2", 4", and 3-1/2" (130 mm, 114 mm, 100 mm and 90 mm)	44.2" (112.3 cm)	37.0 lb (16.8 kg)



**MASTER STREAM NOZZLE FOR RC MONITORS**

The full line of Master Stream Nozzles can be found in the Master Stream Nozzles Manual section.

MODEL	ATTACHMENT	FLOW	PRESSURE	OPERATING SYSTEM
MT-A4ERP-QC	Tsunami Quick Connect	600-4000 gpm (2300-15000 l/min)	80-120 psi (5.5-8.3 bar)	AUTOMATIC



**VORTEX 6 ER FOR RC MONITORS**

The full line of Vortex can be found in the Master Stream Nozzles RC section.

MODEL	INLET	OUTLET	OPERATING SYSTEM	MAXIMUM PRESSURE	FLOW	LENGTH	WEIGHT
SVXE	6" NHF (150 mm)	6" NHM (150 mm)	ELECTRIC REMOTE	300 psi (21 bar)	Up to 8000 gpm (30,000 l/min)	11.0" (27.9 cm)	19.9 lb (9.0 kg)



**REMOTE CONTROL ACCESSORIES**

The full line of Remote Control Accessories can be found in the Remote Control Accessories section.

MODEL	DESCRIPTION
YE-RF-RAD-9	WIRELESS RADIO AND ANTENNA 900 MHZ
YE-RF-RAD-24	WIRELESS RADIO AND ANTENNA 2.4 GHZ



**MULTIPLEX ADAPTER FOR RC MONITOR**

The full line of Controllers and Accessories can be found in the RC Monitor Controllers and Accessories section.

MODEL	DESCRIPTION	LENGTH	WEIGHT
YE-CAN2	Converts CANbus signals into serial communications for controlling a TFT RC monitor or valve	5.40"L x 1.64"W x 1.36"H (13.7 x 4.2 x 3.5 cm)	3.0 oz (85 gr)

REMOTE CONTROL ACCESSORIES



These accessories and components are for use with EF1, Tornado RC, Hurricane RC, Typhoon RC, Monsoon RC and Tsunami RC and allow control of the monitors at remote locations. The Panel Mount, Tethered and Wireless Operator Stations have a waterproof membrane switch to control vertical, horizontal, and nozzle patterns, as well as the programmable PARK and Oscillate. Power, PARK and Oscillate indicator lights are standard. Two Auxiliary buttons to control lights, valves,

Extend-A-Guns and other equipment, are included and require the Remote Auxiliary Function Relay Interface Box or valve kit or Extend-A-Gun RC. All operator stations are equipped with "last button pressed" software so any button presses from the operator station will take over control from any other operator station. These operator stations can also be configured "master", by an internal DIP switch, as a "master" station so that commands from the operator station cannot be overridden.



**PANEL MOUNT MONITOR OPERATOR STATION WITH DISPLAY**

■ **Y4E-RP-D**  
 2.70 lb (1.20kg)  
 8.00"H x 5.625"W x 3.5"D  
 (20.30 x 14.3 x 8.9 cm)

- Designed to be mounted in a panel
- Control up to ten TFT RC monitors from one operator station
- Display for advanced system feedback and a backlit control panel for improved visibility
- A 30' (9 m) long cable for incoming power and communication connections is supplied pre-connected



**PANEL MOUNT MONITOR OPERATOR STATION**

■ **Y4E-RP**  
 2.70 lb (1.20kg)  
 8.00"H x 5.625"W x 3.5"D  
 (20.30 x 14.3 x 8.9 cm)

- Designed to be mounted in a panel
- Control one electric monitor from a remote location
- A 30' (9 m) long cable for incoming power and communication connections is supplied pre-connected



**TETHERED MONITOR OPERATOR STATION WITH DISPLAY**

■ **Y4E-CT-30-D**  
 7.6 lb (3.4 kg)  
 7.30" (18.5 cm)

- Unit is easily configurable for multi-monitor control
- Control up to ten TFT RC monitors from one operator station
- Display for advanced system feedback and a backlit control panel for improved visibility
- Pendant receptacle can be connected to the Panel Mount Operator Station or directly to the monitor
- A 30' (9 m) long cable for attachment to the included receptacle
- Mounting bracket meets NFPA 1900 9G force requirements

Contact customer service for longer tether.



**TETHERED MONITOR OPERATOR STATION**

■ **Y4E-CT-30**  
 7.60 lb (3.40 kg)  
 7.30" (18.5 cm)  
 ■ **Y4E-CT-100**  
 7.60 lb (3.40 kg)  
 7.30" (18.5 cm)

- Control one electric monitor from a remote location
- Pendant receptacle can be connected to the Panel Mount Operator Station or directly to the monitor
- A 30' (9 m) or 100' (30 m) long cable for attachment to the included receptacle
- Mounting bracket meets NFPA 1900 9G force requirements

Contact customer service for longer tether.



REMOTE CONTROL ACCESSORIES



**WIRELESS MONITOR OPERATOR STATION WITH DISPLAY** **CE**  
 900 MHz OR 2.4 GHz  
 ■ **YE-RF-900-D**  
 ■ **YE-RF-2400-D**  
 3.10 lb (1.40kg)  
 11.30" (28.70cm)

- Wireless transmitter will operate up to 500' (152 m) away from the monitor
- Control up to ten TFT RC monitors from one operator station
- Display for advanced system feedback and a backlit control panel for improved visibility
- Mounting bracket meets NFPA 1900 9G force requirements

**NOTE: Order one YE-RF-RAD-\* for each RC monitor.**



**WIRELESS MONITOR OPERATOR STATION** **CE**  
 900 MHz OR 2.4 GHz  
 ■ **YE-RF-900**  
 ■ **YE-RF-2400**  
 3.10 lb (1.40kg)  
 11.30" (28.70cm)

- Wireless transmitter will operate up to 500' (152 m) away from the monitor
- Control one electric monitor from a remote location
- Mounting bracket meets NFPA 1900 9G force requirements

**NOTE: Order one YE-RF-RAD-\* for each RC monitor.**



**WIRELESS MONITOR RADIO AND ANTENNA**  
 900 MHz OR 2.4 GHz  
 ■ **YE-RF-RAD-9**  
 ■ **YE-RF-RAD-24**

- When ordered at the same time as the RC monitor, radio and antenna will be installed by TFT assembly personnel

**NOTE: This item is required when ordering RC monitor and wireless controller. One radio and antenna per monitor.**



**MULTIPLEX ADAPTER FOR RC MONITOR AND VUM**  
 ■ **YE-CAN2**  
 3.0 oz (85 gr)  
 5.40"L x 1.64"W x 1.36"H  
 (13.7 x 4.2 x 3.5 cm)  
 ■ **YE-CAN2-NR** (has cut resistor)

- Converts CANbus signals into serial communications for controlling a TFT RC monitor or valve
- Designed to work on a J1939 CANbus system and allows control of all TFT RC Monitors and RC Valve Under Monitor
- Easily connects in-line to monitor or valve cable



**PANEL MOUNT RC EXTEND-A-GUN OPERATOR STATION**  
 ■ **XGA-RP**  
 1.00 lb (0.5 kg)  
 5.25" x 3.75"

(13.30 cm x 9.5 cm)

- Allows the RC Extend-A-Gun to be controlled from a remote location
- Designed to be flush mounted
- Includes 12' (3.6 m) pre-connected cable

**NOTE: This operator station is required if the RC Extend-A-Gun is installed without a TFT RC Monitor. An included 6' (1.8 m) cable must be installed into the RC Extend-A-Gun interface box.**

REMOTE CONTROL ACCESSORIES



**POWER  
CONDITIONER**  
■ **YE-PWR-COND**  
1.86 lbs (.84 gr)  
8"L x 3.5"W x 2.5"H

**(20.3 x 8.9 x 6.4 cm)**

- For RC monitors, Valve Under Monitor (VUM), Ball Intake Valve (BIV), and Extend-A-Guns
- Designed for 12 VDC or 24 VDC operation
- Provides clean power source, perfect for every aerial ladder and platform, without batteries
- Easily connects in-line to monitor, valve, or Extend-A-Gun cable



**CONNECTION  
HARNESS**  
■ **YE-1F3M**  
1.7 lbs (.77 kg)  
5.4" L x 2.5" W x

**1.4" H  
(13.7 x 6.4 x 3.6 cm)**

- Easily connect a TFT RC Monitor to a Valve Under Monitor (VUM) and other controller
- Simply plug into existing wiring harness plugs on TFT RC products
- Fully encapsulated to protect from the environment, with mounting holes
- Simply a wiring connection harness with 1 female with 1' (0.3 m) cable and 3 male connections, one with 6' (1.8 m) cable, one with 8' (2.4 m) cable

**EXTENSION CABLE 4  
CONDUCTOR**

■ **YE-CAB-6**  
0.55 lbs (.25 kg)  
6' (1.8 m)

- 6' (1.8 m) extension cable with 1 male and 1 female 4 pin connectors attached

REMOTE CONTROL ACCESSORIES



**JOYSTICK  
MONITOR OPERATOR  
STATION AND BRACKET**



■ **Y4E-JS**  
 ■ **Y4E-JS-51**  
 ■ **Y4E-JS-52**  
**5.00 lb (2.30 kg)**  
**10.00"H x 4.75"W x 4.75"L**  
**(25.40 x 12.1 x 12.1 cm)**

- Allows any TFT RC electric monitor to be controlled using a joystick
- Thumb switch controls nozzle pattern
- Trigger built into the joystick handle can be used to open and close TFT water valves
- A 10' (3 m) cable is supplied
- Push buttons on top for PARK and OSCILLATE functions as well as monitor DEPLOY
- Additional configurable button can be set up for RC Extend-A-Gun or LED light kit control

Y4-JS Cable has stripped wires

Y4E-JS-51 Cable has plug and includes bulkhead receptacle with stripped wires for connection to control system.

Y4E-JS-52 Cable has plug to connect to YE-VK valve interface box

*NOTE: Consult Manual LIY-500 at [tft.com/documents](http://tft.com/documents) for instructions to enable proportional speed control.*



**JOYSTICK  
MONITOR OPERATOR  
STATION WITH GATEABLE  
VALVE CONTROL AND  
BRACKET**



■ **Y4E-JS-GT**  
**5.00 lb (2.30 kg)**  
**10.00"H x 4.75"W x 4.75"L**  
**(25.40 x 12.1 x 12.1 cm)**

- Allows any TFT RC electric monitor to be controlled using a joystick and includes a valve opening adjustment slider to control the valve position on TFT Gateable Valve Kits
- Thumb switch controls nozzle pattern
- Trigger built into the joystick handle can be used to operate TFT gateable valves
- Includes a 10' (3 m) cable
- Push buttons on top for PARK and OSCILLATE functions as well as monitor DEPLOY
- Additional configurable button can be set up for RC Extend-A-Gun or LED light kit control

Y4E-JS-GT has cable and plug to connect to YE-VKG valve interface box.

*NOTE: Consult Manual LIY-500 at [tft.com/documents](http://tft.com/documents) for instructions to enable proportional speed control.*




**PANEL MOUNTED  
RECEPTACLE**

■ **YE-RECEP-4**  
**30.00 ft (9.10 m)**  
**2.7 lb (1.2 kg)**

- Allows tethered monitor or joystick operator stations to be connected at additional locations
- A 30' (9 m) long 4-conductor cable with a pre-connected receptacle is supplied
- Includes waterproof cap and chain

REMOTE CONTROL ACCESSORIES



**MONITOR POSITION DISPLAY**   
**■ Y4E-DISP**  
 2.70 lb (1.20 kg)  
 4.25"L x 4.25"W x 1.30"H  
 (10.8 x 10.8 x 3.3 cm)


- Shows the stream position of any TFT RC electric monitor
- Buttons for the PARK & Oscillate features and HIGH/LOW speed selection
- A 10' (3 m) long 4-conductor cable for power and communication is supplied pre-connected



**VALVE POSITION DISPLAY**  
**■ A-DISP**  
 2.70 lb (1.20 kg)  
 4.25"L x 4.25"W x 1.30"H  
 (10.8 x 10.8 x 3.3 cm)

- Five LEDs show the position of any TFT RC Ball Intake Valve or Valve Under Monitor
- Buttons for valve open, stop, close
- Can be quickly and easily set for manual (jog) or automatic (full travel) modes
- A 20' (6 m) long 4-conductor cable w/Deutsch quick-connect plug for power and communication is supplied pre-connected



**TOGGLE SWITCH MONITOR OPERATOR STATION**   
**■ Y4E-TS**  
 2.70 lb (1.20 kg)  
 4.9"L x 3.2"W x 2.2"H  
 (12.4 x 8.1 x 5.6 cm)


- Allows any TFT RC electric monitor to be controlled using three toggle switches for left/right, up/down, and fog/stream
- Operator station can be surface mounted
- A 10' (3 m) long 4-conductor cable for power and communication is supplied pre-connected



**MONITOR COMMUNICATION INTERFACE BOX**   
**■ Y4E-COMM**  
 2.70 lb (1.20 kg)  
 4.9"L x 3.2"W x 2.2"H  
 (12.4 x 8.1 x 5.6 cm)

- For controlling any TFT RC electric monitor from other inputs such as toggle switches
- Accepts +12/24 VDC signals, but can be field changed to accept ground signals
- A 10' (3 m) long 4-conductor cable for power and communication is supplied pre-connected
- A 10' (3 m) long 8 conductor cable for input signals is supplied pre-connected



**REMOTE AUXILIARY FUNCTION RELAY INTERFACE BOX**   
**■ YE-REMAUX**  
 2.70 lb (1.20kg)  
 4.9"L x 3.2"W x 2.2"H  
 (12.4 x 8.1 x 5.6 cm)

- Allows user to utilize the AUX1 and AUX2 buttons located on the monitor operator station
- Two relays that can operate lights, interface to a valve controller or a valve directly
- Contact rating is 16 amps @ 30VDC for resistive loads and 8 amps @ 30VDC for inductive loads
- A 10' (3 m) long 4-conductor cable for power and communication is supplied pre-connected



**LED SEARCH-LIGHT KIT, 12V**  
**■ YE-LK12-KIT**  
 1.7 lb (0.8 kg)  
 4.30" (10.9 cm) Height

- For mounting to remote controlled EF1, Tornado and Typhoon monitors.
- 20' (6 m) cable is supplied pre-connected

VALVE KITS

Valve operation is controlled through the **Y4E-JS-52 Joystick Monitor Operator Station** or the Flow On/Off button on any TFT monitor operator station membrane switch. The interface box includes pre-wired 20' (6 m) cables with receptacles for monitor and water valve plug connections, a 15' (4.5 m) cable for power connection to monitor control system, a panel-

mounted receptacle with cap for the Y4E-JS-52 Joystick Monitor Operator Station connection, and an unused strain relief fitting for an additional operator station cable. The interface box and all fittings are sealed to keep water out so that it can be mounted outside the truck cab in a convenient location for connections to components.

**1.5" NPT VALVE**

■ **YE-VK-PF**

**8.50 lbs (3.80 kg)**

**4.80"L x 7.10"W x 9.40"H**

**(12.20 x 18.0 x 23.9 cm)**

- Heavy-duty 1.5" NPT (38 mm) water valve with female full port stainless steel ball valve with integral electric actuator control and cable with pre-wired plug
- Interface box for simplified 12/24 volt wire connections



**2.0" NPT VALVE**

■ **YE-VK-PH**

**9.00 lb (4.00kg)**

**5.40"L x 7.10"W x 10.0"H**

**(13.70 x 18.0 x 25.4 cm)**

- Heavy-duty 2.0" NPT (52 mm) water valve with female full port stainless steel ball valve with integral electric actuator control and cable with pre-wired plug
- Interface box for simplified 12/24 volt wire connections



**2.5" NPT VALVE**

■ **YE-VK-PJ**

**23.00 lbs (13.20 kg)**

**6.70"L x 8.60"W x 13.70"H**

**(17.00 x 21.8 x 34.8 cm)**

- Heavy-duty 2.5" NPT (65 mm) water valve with female full port stainless steel ball valve with integral electric actuator control and cable with pre-wired plugs
- Interface box for simplified 12/24 volt wire connections



**3.0" NPT VALVE**

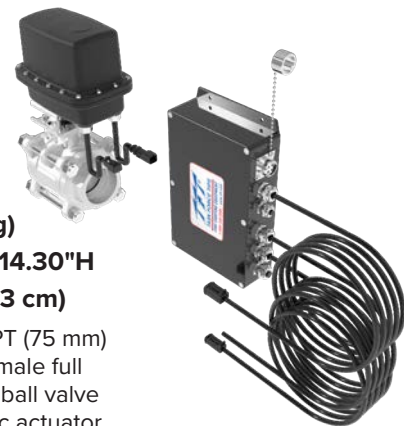
■ **YE-VK-PL**

**29.00 lbs (13.20 kg)**

**7.40"L x 8.90"W x 14.30"H**

**(18.80 x 22.6 x 36.3 cm)**

- Heavy-duty 3.0" NPT (75 mm) water valve with female full port stainless steel ball valve with integral electric actuator control and cable with pre-wired plugs
- Interface box for simplified 12/24 volt wire connections



**Valve Interface Control Box Specifications**

**Weight 7.0 lb (3.1kg)**

**Overall Dimensions:**

**8.80"L x 5.80"W x 2.20"H**

**(22.4 x 14.7 x 5.6 cm)**

**(Additional clearance needed for fittings and cable)**

**GATEABLE VALVE KITS**

Valve operation is controlled through the **Y4E-JS-GT Gateable Joystick Monitor Operator Station** or the Flow On/Off button on any TFT panel mount or tethered monitor operator station membrane switch with digital display. The interface box includes pre-wired 20' (6 m) cables with receptacles for monitor and water valve plug connections, a 15' (4.5 m) cable for power connection to monitor control system, a panel-mounted

receptacle with cap for the Y4E-JS-GT Joystick Monitor Operator Station connection, and an unused strain relief fitting for an additional operator station cable. The interface box and all fittings are sealed to keep water out so that it can be mounted outside the truck cab in a convenient location for connections to components.

**1.5" NPT GATEABLE VALVE**

■ **YE-VKG-PF**

**9.00 lb (4.00kg)**

**4.80"L x 7.10"W x 9.40"H**  
**(12.2 x 18.0 x 23.9 cm)**

- Heavy-duty 1.5" NPT (38 mm) water valve with female full port stainless steel ball valve with integral electric actuator control and cable with pre-wired plug
- Interface box for simplified 12/24 volt wire connections



**2.0" NPT GATEABLE VALVE**

■ **YE-VKG-PH**

**9.0 lb (4.0kg)**

**5.40"L x 7.10"W x 10.0"H**  
**(13.7 x 18.0 x 25.4 cm)**

- Heavy-duty 2.0" NPT (52 mm) water valve with female full port stainless steel ball valve with integral electric actuator control and cable with pre-wired plug
- Interface box for simplified 12/24 volt wire connections



**3.0" NPT GATEABLE VALVE**

■ **YE-VKG-PL**

**33.5 lb (15.2kg)**

**7.40"L x 8.90"W x 14.30"H**  
**(18.8 x 22.6 x 36.3 cm)**

- Heavy-duty 3.0" NPT (75 mm) water valve with female full port stainless steel ball valve with integral electric actuator control and cable with pre-wired plug
- Interface box for simplified 12/24 volt wire connections



**Valve Interface Control Box Specifications**

**Weight 7.0 lb (3.1kg)**

**Overall Dimensions:**

**8.80"L x 5.80"W x 2.20"H**  
**(22.4 x 14.7 x 5.6 cm)**

**(Additional clearance needed for fittings and cable)**

**EXTEND-A-GUN™ VP**

**3" (75 mm) Pneumatic Telescoping Waterway with Valve**

The latest addition to the TFT Extend-A-Gun series, the VP version offers a complete solution from TFT: monitor, nozzle, waterway, and valve! Deploy and stow operations are efficiently controlled by pneumatics and the inlet valve interlock system aids safe operations. Designed to flow up to 1,500 gpm (6000 L/min), choose from a variety of TFT monitors.

LOWERED  
POSITION  
TRUCK  
DECK



EXTEND-A-GUN VP shown with Monsoon 1250 RC Monitor and Master Stream 1250S ER Nozzle

*(Monitor, Nozzle and Mounting Brackets not included)*

**XGC38\*.\***

**18" Extension (see chart)**  
**54.0 lb (24.5 kg)**

- Built-in safety with the interlock. It also includes a redundant manual override for deploy/stow operations for further security.
- In a single model number you can mount the gear box in one of four positions to ensure it fits your unique apparatus.
- Compatible with a variety of pumps, panels, and plumbing configurations so it's easy to install as well as service in the field.
- Installer supplied toggle switch controls on the panel keep the operator safely on the ground when deploying and stowing the monitor.

**3" (75 mm) BRACKET SET**

For safe dependable service, the Extend-A-Gun **MUST** be securely mounted. To make the Extend-A-Gun as versatile as possible, three mounting bracket kits are offered. Each kit has a different upper bracket. The lower bracket is the same in all three.



**XGB-13**  
**10.2 lbs (4.6 kg)**  
Tube/Saddle



**XGB-23**  
**8.2 lbs (3.7 kg)**  
Plate/Saddle



**XGB-33**  
**5.0 lbs (2.3 kg)**  
Saddle/Saddle

INLET	MODEL	EXTENSION	OUTLET
3" VICTAULIC (76mm)	XGC38VL-XL	18" (45.7 cm)	CROSSFIRE Outlet (Monitor Top)
3" VICTAULIC (75 mm)	XGC38VL-PL	18" (45.7 cm)	3" NPT (75 mm)

\* Fits inlet of Tornado RC, Hurricane RC, Typhoon RC or Monsoon RC monitors with 3" connection code-RLF.

**EXTEND-A-GUN™ VP**

**3" (75 mm) Pneumatic Telescoping Waterway with Valve**

**Pneumatically Controlled**

The deploy and stow positions are air operated and controlled by an up/down switch on the pump panel. Installers can utilize standard lines and fittings just like other pneumatic equipment on the apparatus.



**Inlet Valve Interlock**

The interlock prevents flowing while extending and retracting the VP. This prevents users from damaging the unit or becoming injured when deploying or stowing the system.

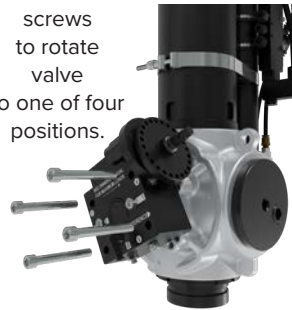


**Valve Control Flexibility**

The gear box can be oriented one of four ways to allow the crankshaft to face 3, 6, 9, or 12 o'clock. Position selection can easily be changed by removing four screws.



Remove screws to rotate valve to one of four positions.



**Multiple Inlet Plumbing Options**

The TFT valve offers unrivaled plumbing flexibility. In a single SKU, OEM's can install plumbing connection to the bottom or side of unit. The valve also allows for flexibility in height. If the outlet port for monitor needs to be higher, simply use bottom inlet. If outlet port for monitor needs to be lower, a choice of two side port options are available.



**Integrated Valve**

TFT has integrated a manually controlled valve that eliminates the need for a separate inline valve upstream from the Extend-A-Gun. The valve incorporates TFT's proven half ball design for longevity.



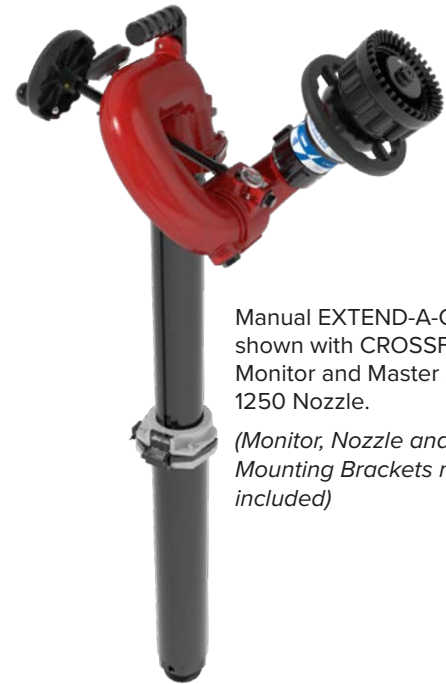
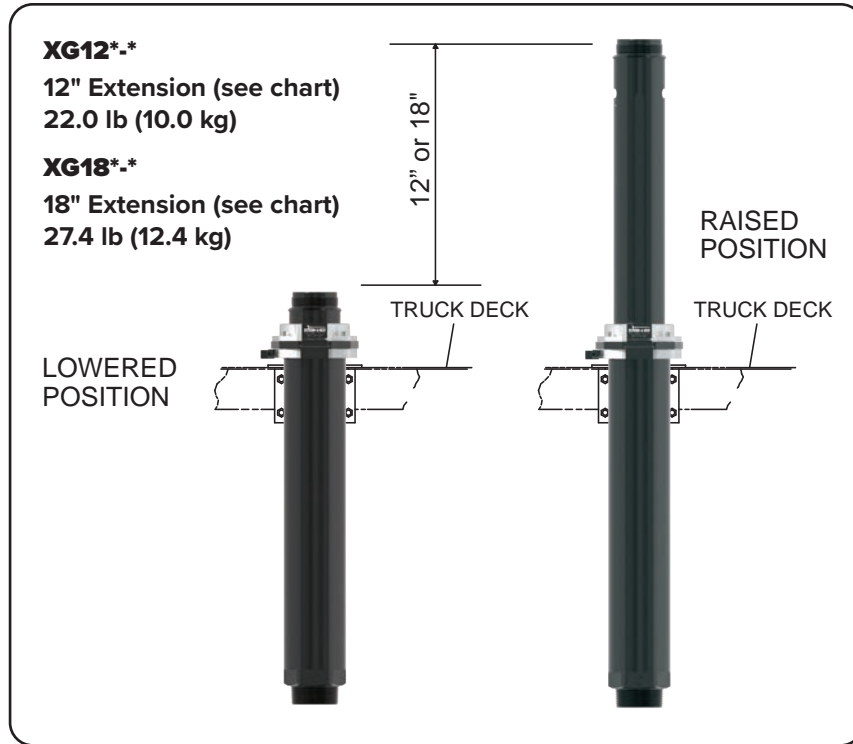


**EXTEND-A-GUN™ MANUAL**

**3" (75 mm) Manual Telescoping Waterway**

The Extend-A-Gun provides new capabilities for your deck mounted Master Stream device. For storage, it can be lowered to deck level (or even into a monitor well). On the fire ground, the monitor may be raised to its extended position (12 or 18 extra inches) (30.5 or 45.7 extra cm) by lifting the quick release and raising by hand until the non-rotating pipe locks into position. This gives greater clearance of other equipment on

the apparatus, greater freedom of movement and allows a more comfortable operating position. The Extend-A-Gun offers a full 3" (75 mm) waterway, hardcoat anodized finish, and built-in sensor for connection to "monitor raised" light or truck open compartment warning. Can be specified with new, or retrofitted to existing apparatus.



Manual EXTEND-A-GUN shown with CROSSFIRE Monitor and Master Stream 1250 Nozzle.  
(Monitor, Nozzle and Mounting Brackets not included)

**3" (75 mm) BRACKET SET**

For safe dependable service, the Extend-A-Gun **MUST** be securely mounted. To make the Extend-A-Gun as versatile as possible, three mounting bracket kits are offered. Each kit has a different upper bracket. The lower bracket is the same in all three.



**XGB-13**  
10.2 lbs (4.6 kg)  
Tube/Saddle



**XGB-23**  
8.2 lbs (3.7 kg)  
Plate/Saddle



**XGB-33**  
5.0 lbs (2.3 kg)  
Saddle/Saddle

**CROSSFIRE OUTLET: ONLY FITS CROSSFIRE MONITOR TOP**

INLET	MODEL	EXTENSION
3" TAPER PIPE MALE (75 mm)	XG12PL-XL	12" (30.5 cm)
	XG18PL-XL	18" (45.7 cm)
3" VICTAULIC (75 mm)	XG12VL-XL	12" (30.5 cm)
	XG18VL-XL	18" (45.7 cm)

**OUTLET: 3" NPT (TAPER PIPE MALE) FITS ANY MONITOR TOP**

INLET	MODEL	EXTENSION
3" TAPER PIPE MALE (75 mm)	XG12PL-PL	12" (30.5 cm)
	XG18PL-PL	18" (45.7 cm)
3" VICTAULIC (75 mm)	XG12VL-PL	12" (30.5 cm)
	XG18VL-PL	18" (45.7 cm)

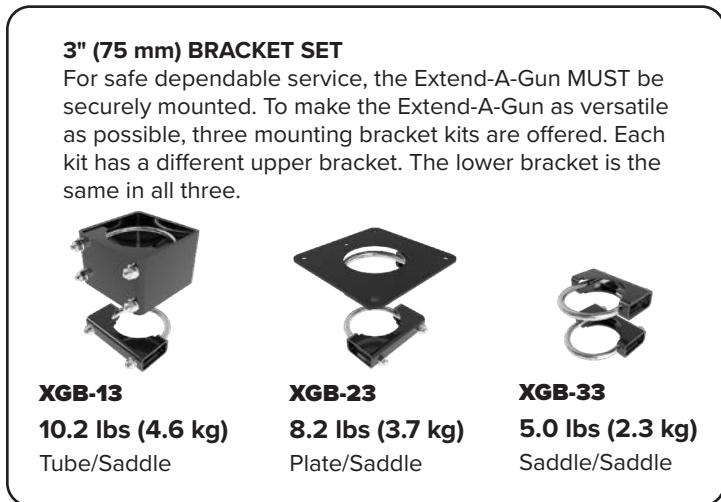
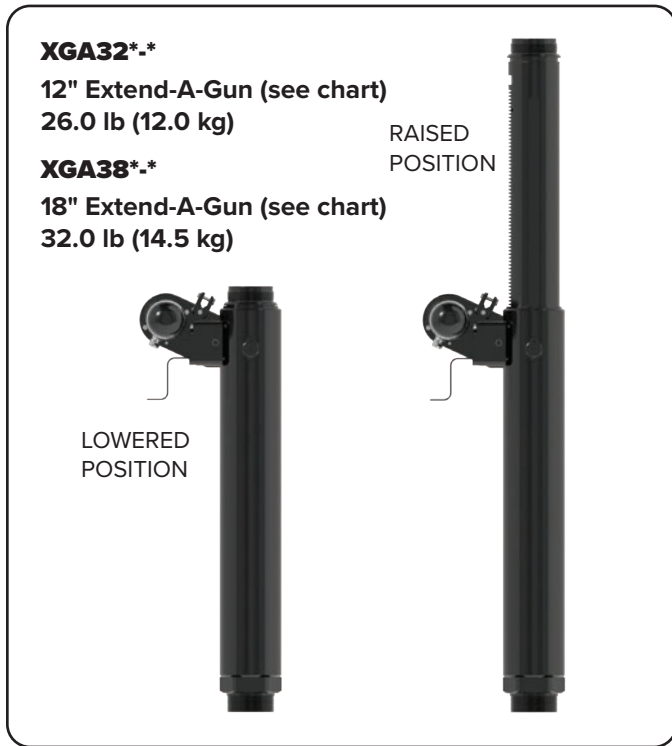
**EXTEND-A-GUN™ RC3**

**3" (75 mm) Remote Control Telescoping Waterway**



The Extend-A-Gun RC3 lets you lower your deck mounted Master Stream device to deck level for storage (or even into a well). On the fire ground, the monitor can be automatically raised to its extended position (12 or 18 extra inches) (30.5 or 45.7 extra cm) with a simple push of a button. This gives greater clearance of other equipment on the apparatus, greater freedom of movement, and keeps firefighters off the top of the trucks, thus providing a safer operating position. The Extend-A-Gun RC3 offers a 3" (75 mm) waterway, and hardcoat anodized aluminum finish. Built-in sensor for connection to

"monitor raised" light or truck open compartment warning. Connecting RC Extend-A-Gun motor control box to RC monitor communication link (blue & white wires) allows RC Extend-A-Gun operation from any monitor operator station equipped with monitor up/down button or input. Can be specified with new or retrofitted to existing apparatus. **NOTE: Extend-A-Gun RC is not compatible with other manufacturers' monitors. XGA-RP operator station (found in the RC Monitor and Controls Accessories section) is required if the RC Extend-A-Gun is to be installed with a TFT manual Monitor.**



- Allows the RC Extend-A-Gun to be controlled from a remote location
  - Designed to be flush mounted
  - Includes 12' (3.6 m) pre-connected cable
- NOTE: This operator station is required if the RC Extend-A-Gun is installed with a TFT Manual Monitor. An included 6' (1.8 m) cable must be installed into the RC Extend-A-Gun interface box.*

TFT CODE-RLM OUTLET*		
INLET	MODEL	EXTENSION
3" NPT (75 mm)	XGA38PL-RL	18" (45.7 cm)
3" VICTAULIC (75 mm)	XGA32VL-RL	12" (30.5 cm)
	XGA38VL-RL	18" (45.7 cm)

\* Fits inlet of Tornado RC, Hurricane RC, Typhoon RC or Monsoon monitors with 3" connection code-RLF.

**EXTEND-A-GUN™ RC4**  
**4" (100 mm) Remote Control Telescoping Waterway**



The Extend-A-Gun RC4 lets you lower your deck mounted Master Stream device to deck level for storage (or even into a well). On the fire ground, the monitor can be automatically raised to its extended position (12 or 18 extra inches or 30.5 or 45.7 extra cm) with a simple push of a button. This gives greater clearance of other equipment on the apparatus, greater freedom of movement, and keeps firefighters off the top of the trucks, thus providing a safer operating position. The Extend-A-Gun RC4 offers a 4" (100 mm) waterway, and hardcoat anodized aluminum finish. Built-in sensor for connection to "monitor

raised" light or truck compartment operator warning system. Connecting RC Extend-A-Gun motor control box to RC monitor communication link (blue & white wires) allows RC Extend-A-Gun operation from any monitor operator station equipped with monitor up/down button or input. Can be specified with new or retrofitted to existing apparatus. **NOTE: Extend-A-Gun RC is not compatible with other manufacturers' monitors. XGA-RP operator station (see RC Monitor Controls and Accessories section of the catalog) is required if the RC Extend-A-Gun is to be installed with a TFT manual Monitor.**

**XGA42\*.\***  
**12" Extend-A-Gun (see chart)**  
**41.5 lb (12.0 kg)**

**XGA48\*.\***  
**18" Extend-A-Gun (see chart)**  
**47.0 lb (21.3 kg)**

LOWERED POSITION

RAISED POSITION

Shown with MONSOON RC Monitor and Master Stream 2000 ERP Nozzle.  
 (Monitor, Nozzle and Mounting Bracket not included)

**CONTROL BOX**  
 (Complete with 10 ft (3 m) of power and communication cable for connection to monitor communication link & power, 10 ft (3 m) of cable for connection to RC monitor, and 12 ft (3.6 m) of cable for connection to RC Extend-A-Gun motor)

**XGA-RP**  
 PANEL MOUNT RC EXTEND-A-GUN OPERATOR STATION

**4" (100 mm) BRACKET SET**

For safe dependable service, the Extend-A-Gun RC4 MUST be securely mounted. To make the Extend-A-Gun as versatile as possible, the 4" mounting brackets come in two styles. Each kit has a different upper bracket. The lower bracket is the same for both.

**XGB-43**  
**17.8 lbs (8.1 kg)**  
 Plate/Saddle

**XGB-53**  
**11.4 lbs (5.1 kg)**  
 Saddle/Saddle

- Allows the RC Extend-A-Gun to be controlled from a remote location
- Designed to be flush mounted
- Includes 12' (3.6 m) pre-connected cable



*NOTE: This operator station is required if the RC Extend-A-Gun is installed with at TFT Manual Monitor. An included 6' (1.8 m) cable must be installed into the RC Extend-A-Gun interface box.*

TFT CODE-RLM OUTLET*		
INLET	MODEL	EXTENSION
4" VICTAULIC	XGA42VP-RP	12" (30.5 cm)
	XGA48VP-RP	18" (45.7 cm)

\* Fits inlet of Hurricane RC, Typhoon RC or Monsoon RC monitors with 4" connection code-RPF.



# VALVES

Utilizing a similar large waterway concept as TFT's BIV (Ball Intake Valve), the VUM provides efficient water flow to monitors on aerials and fire boats. The VUM reduces unnecessary piping, weight and expense while providing users flexibility for additional intakes and discharges.

**PRESSURE RELIEF VALVES**



A18 Series - TFT's PRV (pressure relief valve) operates in an adjustment range from 90 to 300 psi (6 to 21 bar) with easy to see settings of 90, 125, 150, 200, 250, and 300 psi (6, 9, 10, 14, 17 and 21 bar). Each pressure relief valve includes an OFF position. The pressure relief valve meets NFPA 1900 PRV requirements. The aluminum casting is hardcoat anodized, and TFT-powder coat finished inside and out for maximum corrosion protection. For direct use on pump flanges, the TFT pressure relief valve works with Darley, Waterous, or Hale bolt hole patterns. Relief valves are available with a plain discharge spout or 2" (52 mm) male pipe thread, 2.5" male NH (65 mm) thread, or 2.5" (65 mm) Victaulic® connection on the discharge spout. Available models include 2.5" (65 mm) NPT male threaded inlets for mounting the TFT pressure relief valve to plumbing. All A18 Series PRV's come standard with an integrated galvanic isolator for maximum corrosion resistance.



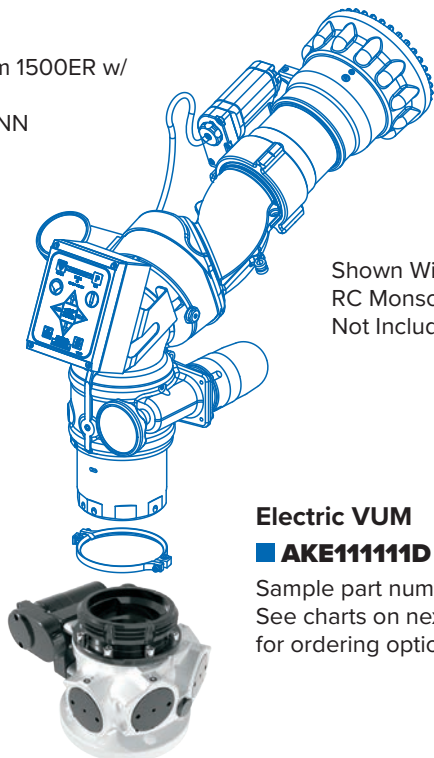
MODEL	BOLT PATTERN	DISCHARGE	HEIGHT / WIDTH / DEPTH	WEIGHT
A1810	Waterous/Hale	Plain	5.4 x 4.2 x 6.4 in (13.7 x 10.7 x 16.3 cm)	3.0 lb (1.4 kg)
A1820	Waterous/Hale	2" (52 mm) Male Pipe (NPT)	5.4 x 4.2 x 6.3 in (13.7 x 10.7 x 16.0 cm)	3.0 lb (1.4 kg)
A1831	Waterous/Hale	2.5" (65 mm) Male Pipe (NPT)	5.4 x 4.2 x 8.0 in (11.4 x 11.4 x 16.5 cm)	3.0 lb (1.4 kg)
A1850	Waterous/Hale	2.5" (65 mm) Victaulic Connection	5.4 x 4.2 x 7.5 in (13.7 x 10.7 x 19.1 cm)	3.5 lb (1.6 kg)
A1860	Waterous/Hale	2.5" (65 mm) NH Male	5.4 x 4.2 x 8.0 in (13.7 x 10.7 x 20.3 cm)	3.9 lb (1.8 kg)

**VUM VALVE UNDER MONITOR™**

The Valve Under Monitor (VUM) is a lightweight, low friction-loss valve and manifold for installation directly beneath monitors on boats, ladders and platforms. The VUM combines the robust valve mechanism from the TFT Inline Valve Series with a 4" (100 mm) ANSI 150 inlet and up to four 2.5" (65 mm) outlets. The 2.5" (65 mm) outlets are available with integrated straight or elbow valves, pressure relief valves, automatic drains, male hose threads. Maximum operating pressure is 300 psi (21 bar). When paired with a TFT monitor, the monitor flange is omitted for additional weight savings and ease of installation. Electric remote controlled (RC) models may be controlled from a dedicated panel mount control, customer

supplied switches or from TFT RC Monitor Operator Stations including wireless RC. Models are designed for 12 VDC or 24 VDC operation, selection is automatic. RC models include an interface enclosure to connect external control signals. These signals can either be hard wired or from a CANbus output module. The interface enclosure includes two relays for customer feedback of open or closed valve status. The interface enclosure is factory configured to accept +12/24 VDC signals, but can be reconfigured in field to accept ground signals. Main valve body and auxiliary valves are hard anodized aluminum alloy with silver powder coat inside and out for maximum corrosion protection.

Shown With  
Masterstream 1500ER w/  
Plug  
M-ERP1500-NN  
Not Included

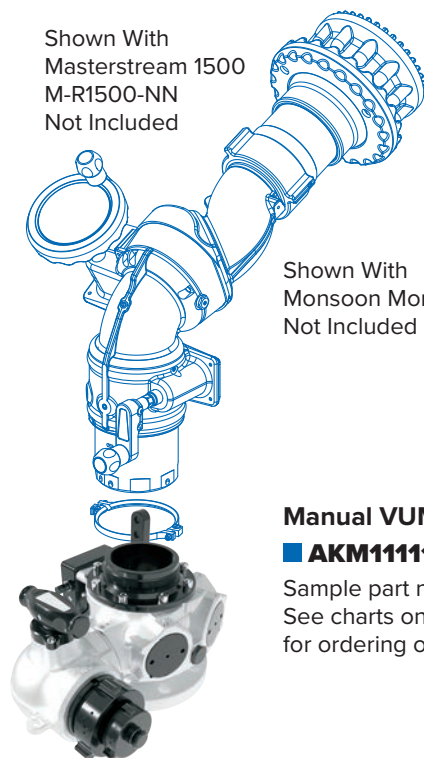


Shown With  
RC Monsoon Monitor  
Not Included

**Electric VUM**  
■ **AKE11111D**

Sample part number.  
See charts on next pages  
for ordering options.

Shown With  
Masterstream 1500  
M-R1500-NN  
Not Included



Shown With  
Monsoon Monitor  
Not Included

**Manual VUM**  
■ **AKM111113D**

Sample part number.  
See charts on next pages  
for ordering options.

When ordering a Valve Under Monitor (VUM), refer to the diagrams on the following pages.

For example: Model AKE11111D is an electric drive, ANSI 150 Inlet, CODE-RPM (TFT Monitor Outlet) with blind plugs on ports Ports C1, C2, C3, C4 and has a Ball Drain installed.

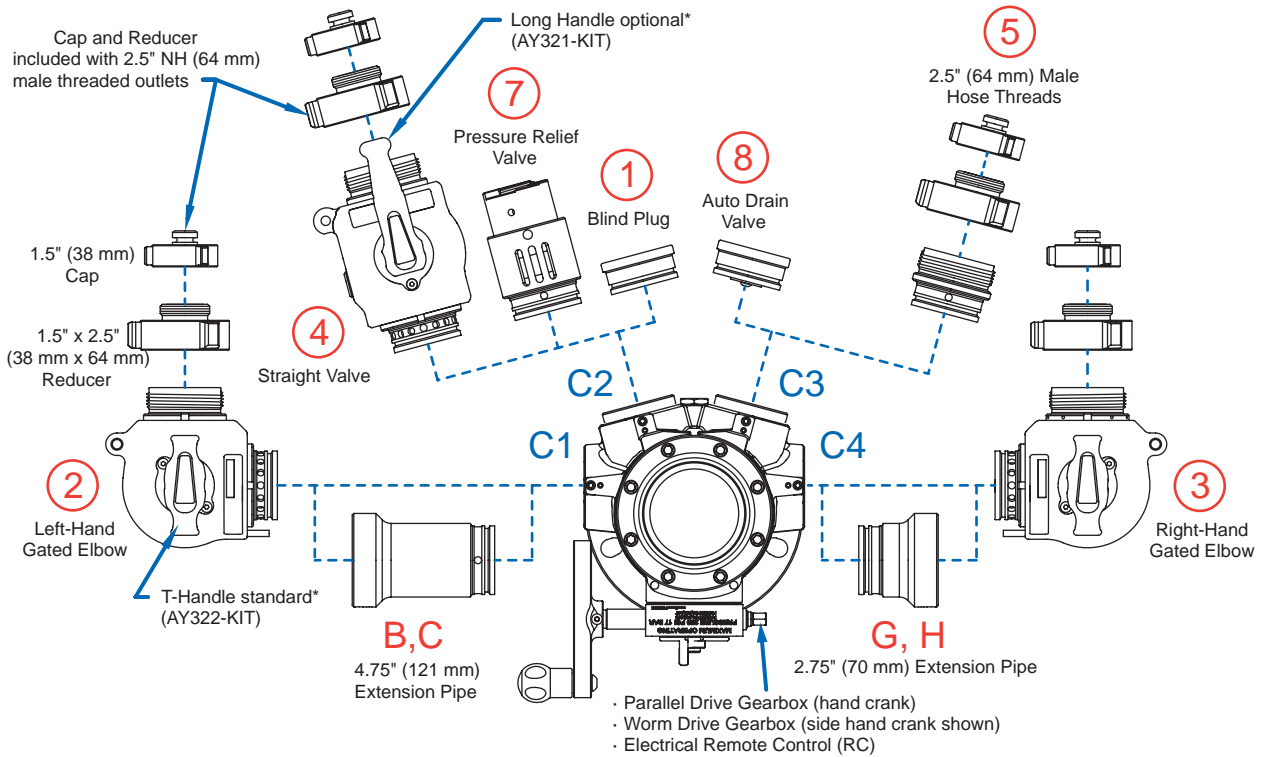
AKM111113D is side crank handle operated, ANSI 150 Inlet, CODE-RPM (TFT Monitor Outlet), with blind plugs on Ports C1, C2 and C3, a right hand gated elbow on port C4 and has a Ball Drain Installed.

For assistance in ordering, please call TFT and speak to a VUM specialist.

**ACCEPTABLE MONITOR INSTALLATIONS (most popular models listed, others available)**

TFT CODE-RPF MONITORS WITH A HEIGHT LESS THAN 19" (48.3 cm)	FLANGED MONITORS WITH A HEIGHT LESS THAN 16" (40.6 cm)	FLANGED MONITORS WITH A HEIGHT GREATER THAN 16" (40.6 cm)
MONSOON Y4-MP1A-P-01 MONSOON Y4-EP1A-P-01 TYPHOON RC Y5-EA1A-L TYPHOON RC Y5-EP1A-L FLEX YN-MP1A FLEX YN-MP5A-Z FLEX YN-TP5A-Z FLEX RC YN-EP1A FLEX RC YN-EP1A-L FLEX RC YN-EP1A-L20 FLEX RC YN-EP1A-P FLEX RC YN-EP5A	HURRICANE XFI-FPNJ HURRICANE XFIE-FPNJ HURRICANE RC XFIH-E21A * MONSOON Y4-M21A * MONSOON Y4-T21A-Z* MONSOON RC Y4-E21A *	TYPHOON RC Y5-EB1A-L TYPHOON RC Y5-E21A-L*
* FLANGES (4" ANSI 150 / DN100 PN16) CAN BE REMOVED FROM MOST TFT MONITORS IN ORDER TO USE THE CODE-RPM DIRECT CONNECTION.		

VUM VALVE UNDER MONITOR™

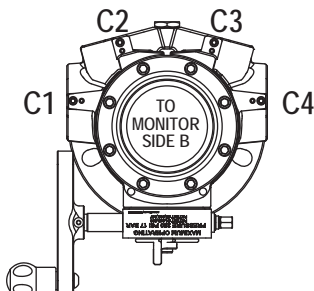


4" ANSI 150 Flange inlet is standard

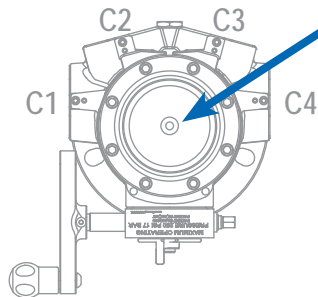
AUXILIARY PORT SPECIFICATIONS - For Ports C1, C2, C3 C4

Without Extension Pipe	With 4.75" (121 mm) Extension Pipe	With 2.75" (70 mm) Extension Pipe
1) Blind Plug		
2) 2.5" NH (65 mm) Gated Elbow Left-Hand*	B)	G)
3) 2.5" NH (65 mm) Gated Elbow Right-Hand*	C)	H)
4) 2.5" NH (65 mm) Straight Valve*		
5) 2.5" NH (65 mm) Male Threads (no valve)		
7) Pressure Relief Valve		
8) External Automatic Drain Valve		

AUXILIARY PORT DESIGNATION



Note: Crank is factory configured on left-hand side of valve, but is field reversible for right-hand configuration.



The VUM is equipped with an internal automatic drain valve, which allows the aerial waterway to drain freely following use, even if the VUM is closed. The drain valve, located in the half ball, is designed to close automatically when pressure exceeds 5 psi (0.3 bar). When pressure drops below 5 psi (0.3 bar), the drain valve will open.

If the VUM will be installed horizontally on a ladder, also specify Option 8) External Automatic Drain Valve on the auxiliary port that will be at the lowest point as-installed.

## VUM VALVE UNDER MONITOR™

CRANK HANDLE CONTROL  
(WORM DRIVE GEARBOX)AUXILIARY PORT SPECIFICATIONS - For Ports C1, C2, C3 C4  
See Diagram and Chart at the beginning of this section.

**Dimensional Minimum**  
**AKM11111D**  
 19.3 lb (8.8 kg)  
 6.60" (16.8 cm) height  
 12.65" (32.1 cm) width  
 12.20" (31.0 cm) depth

**Dimensional Maximum**  
**AKM11\*\*\*\***  
 49.3 lb (22.4 kg)  
 6.60" (16.8 cm) height  
 33.20" (84.3 cm) width  
 24.10" (61.2 cm) depth

- Worm Drive Control
- 4" (100 mm) ANSI 150 Flange Inlet
- Code-RPM Male Threaded Outlet
- Direct connection of TFT Monitors with Code-RPF Inlet



**Dimensional Minimum**  
**AKM12111D**  
 20.0 lb (9.1 kg)  
 7.9" (20.1 cm) height  
 12.65" (32.1 cm) width  
 12.20" (31.0 cm) depth

**Dimensional Maximum**  
**AKM12\*\*\*\***  
 50.0 lb (22.7 kg)  
 7.9" (20.1 cm) height  
 33.2" (84.3 cm) width  
 24.1" (61.2 cm) depth

- Worm Drive Control
- 4" (100 mm) ANSI 150 Flange Inlet
- 22.5° Elbow Code-RPM Male Threaded Outlet
- Direct connection of TFT Monitors with Code-RPF Inlet



**Dimensional Minimum**  
**AKM13111D**  
 23.9 lb (10.8 kg)  
 8.7" (22.1 cm) height  
 12.65" (32.1 cm) width  
 12.20" (31.0 cm) depth

**Dimensional Maximum**  
**AKM13\*\*\*\***  
 53.9 lb (24.4 kg)  
 8.7" (22.1 cm) height  
 33.2" (84.3 cm) width  
 24.1" (61.2 cm) depth

- Worm Drive Control
- 4" (100 mm) ANSI 150 Flange Inlet
- 4" (100 mm) ANSI 150 Flange Outlet



## VUM VALVE UNDER MONITOR™

## CRANK HANDLE CONTROL (PARALLEL DRIVE GEARBOX)


**Dimensional Minimum**  
**AKP11111D**

19.3 lb (8.8 kg)  
 6.60" (16.8 cm) height  
 9.40" (23.9 cm) width  
 13.80" (35.1 cm) depth

**Dimensional Maximum**  
**AKP11\*\*\*\***

49.4 lb (22.4 kg)  
 6.6" (16.8 cm) height  
 33.2" (84.3 cm) width  
 25.7" (65.3 cm) depth

- Parallel Drive Valve Control
- 4" (100 mm) ANSI 150 Flange Inlet
- Code-RPM Male Threaded Outlet
- Direct connection of TFT Monitors with Code-RPF Inlet


**Dimensional Minimum**  
**AKP12111D**

19.3 lb (8.8 kg)  
 7.9" (20.1 cm) height  
 9.4" (23.9 cm) width  
 13.8" (35.1 cm) depth

**Dimensional Maximum**  
**AKP12\*\*\*\***

50.1 lb (22.7 kg)  
 7.9" (20.1 cm) height  
 33.2" (84.3 cm) width  
 25.7" (65.3 cm) depth

- Parallel Drive Valve Control
- 4" (100 mm) ANSI 150 Flange Inlet
- 22.5° Elbow Code-RPM Male Threaded Outlet
- Direct connection of TFT Monitors with Code-RPF Inlet

**CRANK HANDLE CONTROL (PARALLEL DRIVE GEARBOX)**

**AUXILIARY PORT SPECIFICATIONS - For Ports C1, C2, C3 C4**  
 See Diagram and Chart at the beginning of this section.


**Dimensional Minimum**  
**AKP13111D**

23.9 lb (10.8 kg)  
 8.7" (22.1 cm) height  
 9.4" (23.9 cm) width  
 13.8" (35.1 cm) depth

**Dimensional Maximum**  
**AKP13\*\*\*\***

53.9 lb (24.4 kg)  
 8.7" (22.1 cm) height  
 33.2" (84.3 cm) width  
 25.7" (65.3 cm) depth

- Parallel Drive Valve Control
- 4" (100 mm) ANSI 150 Flange Inlet
- 4" (100 mm) ANSI 150 Flange Outlet

VUM VALVE UNDER MONITOR™

**ELECTRIC REMOTE CONTROL (RC)**

AUXILIARY PORT SPECIFICATIONS - For Ports C1, C2, C3 C4  
See Diagram and Chart at the beginning of this section.



Dimensional Minimum	Dimensional Maximum
<b>AKE111111D</b>	<b>AKE11****</b>
23.7 lb (10.8 kg)	53.7 lb (24.4 kg)
6.6" (16.8 cm) height	6.6" (16.8 cm) height
10.3" (26.2 cm) width	33.2" (84.3 cm) width
12.9" (32.8 cm) depth	24.1" (61.2 cm) depth

- Electric Valve Control with Manual Override
- 4" (100 mm) ANSI 150 Flange Inlet
- Code-RPM Male Threaded Outlet
- Direct connection of TFT Monitors with Code-RPF Inlet



Includes Interface Enclosure



Dimensional Minimum	Dimensional Maximum
<b>AKE121111D</b>	<b>AKE12****</b>
24.4 lb (11.1 kg)	54.4 lb (24.7 kg)
7.9" (20.1 cm) height	7.9" (20.1 cm) height
10.3" (26.2 cm) width	33.2" (84.3 cm) width
12.9" (32.8 cm) depth	24.1" (61.2 cm) depth

- Electric Valve Control with Manual Override
- 4" (100 mm) ANSI 150 Flange Inlet
- 22.5° Elbow Code-RPM Male Threaded Outlet
- Direct connection of TFT Monitors with Code-RPF Inlet



Includes Interface Enclosure

**ELECTRIC REMOTE CONTROL (RC)**

AUXILIARY PORT SPECIFICATIONS - For Ports C1, C2, C3 C4  
See Diagram and Chart at the beginning of this section.



Dimensional Minimum	Dimensional Maximum
<b>AKE131111D</b>	<b>AKE13****</b>
28.2 lb (12.8 kg)	58.2 lb (26.4 kg)
8.7" (22.1 cm) height	8.7" (22.1 cm) height
10.3" (26.2 cm) width	33.2" (84.3 cm) width
12.9" (32.8 cm) depth	24.1" (61.2 cm) depth

- Electric Valve Control with Manual Override
- 4" (100 mm) ANSI 150 Flange Inlet
- 4" (100 mm) ANSI 150 Flange Outlet



Includes Interface Enclosure

**VUM VALVE UNDER MONITOR™**

MODEL	DETAIL
<b>Side Operating Crank</b>	
<b>Accepts Proprietary Threaded Inlet of TFT Monitors</b>	
AKM111113D	Right hand gated elbow C4
AKM11111CD	Right hand gated elbow extended 4.75" C4
AKM112111D	Left hand gated elbow C1
AKM112181D	Left hand gated elbow C1, Auto drain valve C3
AKM112183D	Left hand gated elbow C1, Auto drain valve C3, Right hand gated elbow C4
AKM11718CD	Pressure relief Valve C1, Auto drain valve C3, Right hand gated elbow C4
AKM11B181D	Left hand gated elbow extended 4.75" C1, Auto drain valve C3
AKM11G47HD	Left hand gated elbow extended 2.75" C1, Straight valve C2, Pressure relief valve C3, Right hand gated elbow extended 2.75" C4
<b>Accepts Proprietary Threaded Inlet TFT Monitors, 22.5° forward angle</b>	
AKM121118D	Auto drain valve C4
AKM128111D	Auto drain valve C1
<b>Accepts 4" ANSI Flanged Inlet Monitors</b>	
AKM13111CD	Right hand gated elbow extended 4.75", C4
AKM132111D	Left hand gated elbow C1
AKM132113D	Left hand gated elbow C1, Right hand gated elbow C4
AKM13B181D	Left hand gated elbow extended 4.75" C1, Auto drain valve C3
<b>Accepts 1.5" Offset Inlet TFT Monitors</b>	
AKM1V4471D	Straight valve C1, Straight valve C2, Pressure relief valve C3
AKM1V718CD	Pressure relief valve C1, Auto drain valve C3, Right hand gated elbow extended 4.75" C4
<b>Rear Operating Crank</b>	
<b>Accepts Proprietary Threaded Inlet TFT Monitors</b>	
AKP111113D	Right hand gated elbow C4
AKP112111D	Left hand gated elbow C1
<b>Accepts 4" ANSI Flanged Inlet Monitors</b>	
AKP131113D	Right hand gated elbow C4
AKP131141D	Straight valve C3
AKP134114D	Straight valve C1, Straight valve C4
<b>Electric Remote Operation</b>	
<b>Accepts Proprietary Threaded Inlet TFT Monitors</b>	
AKE111111D	Blind plugs C1, C2, C3, C4
AKE111113D	Right hand gated elbow C4
AKE112111D	Left hand gated elbow C1
AKE112113D	Left hand gated elbow C1, Right hand gated elbow C4
<b>Accepts Proprietary Threaded Inlet TFT Monitors, 22.5° forward angle</b>	
AKE121118D	Auto drain valve C4
<b>Accepts 4" ANSI Flanged Inlet Monitors</b>	
AKE131111D	Blind plugs C1, C2, C3, C4
AKE131447D	Straight valve C2, Straight valve C3, Pressure relief valve C4

**POWER CONDITIONER FOR RC MONITORS AND VUM VALVE UNDER MONITOR**

The full line of Controllers and Accessories can be found in the RC Monitor Controllers and Accessories section.



MODEL	DESCRIPTION	LENGTH	WEIGHT
YE-PWR-COND	Power Conditioner that Easily connects in-line to maintain clean power to monitor or VUM.	8" L x 3.5" W x 2.5" H (20.3 x 8.9 x 6.4)	1.86 lbs. (844 gr)

**REMOTE CONTROL ACCESSORIES FOR VUM VALVE UNDER MONITOR**

The full line of Remote Control Accessories can be found in the Remote Control Accessories section.



MODEL	DESCRIPTION	LENGTH	WEIGHT
YE-CAN2	MULTIPLEX ADAPTER FOR RC MONITOR AND VUM	5.40" L x 1.64" W x 1.36" H (13.7 x 4.2 x 3.5 cm)	3.0 oz (85 gr)
YE-1F3M	MONITOR HARNESS Easily connect your TFT RC Monitor and VUM	5.4" L x 2.5" W x 1.4" H (13.7 x 6.4 x 3.6 cm)	1.7 lbs (.77 kg)
YE-CAB-6	EXTENSION CABLE Six feet, four conductor extension cable with Deutsch male and female connectors installed.	6' (1.8 m)	0.55 lbs (.25 kg)

**IVUM INDUSTRIAL VALVE UNDER MONITOR™**

The 4" (100 mm) Industrial Valve Under Monitor (IVUM) is a robust, low friction loss slow close valve intended for installation directly beneath monitors on standpipes with 4" (100 mm) ANSI 150 or DN 100 PN16 flange connections. Maximum operation pressure is 300 psi (21 bar). Dual reflective valve position indicators allow 360° visual confirmation from a distance in most light conditions. The inlet flange, half ball and valve seat retainer are available in either hard anodized aluminum or stainless steel.


All models are equipped with an external automatic drain valve to fully drain the monitor and valve body after use, thus minimizing susceptibility to damage from corrosion and freezing water. An optional internal automatic drain valve located within the half ball allows the standpipe to draw atmospheric air to facilitate draining, even while the half ball is closed. It is beneficial in applications where the standpipe will typically be drained following use, especially where freezing conditions are a concern.

**SIDE B**



**Dimensional Maximum ZAA\*\***  
**23.7 lb (10.8 kg)**  
**10.1" (25.7 cm) Height**  
**11.7" (29.7 cm) Width**  
**11.6" (29.5 cm) Depth**

- Hand crank valve control
- Dual reflective valve position indicators
- FM Approved for use with FM Approved Monitors




**SIDE B**



**Dimensional Maximum ZAS\*\***  
**35.0 lb (15.9 kg)**  
**10.1" (25.7 cm) height**  
**11.7" (29.7 cm) width**  
**11.6" (29.5 cm) depth**

- Hand crank valve control
- Dual reflective valve position indicators
- FM Approved for use with FM Approved Monitors



Aluminum 4" (100 mm) ANSI 150/DN100 PN16 Inlet		
MODEL	DRAIN OPTION	SIDE B OUTLET
ZAAD3	Additional Drain in Half Ball	4" (100 mm) ANSI 150 / DN100 PN16 Flange

Stainless Steel 4" (100 mm) ANSI 150/DN100 PN16 Inlet		
MODEL	DRAIN OPTION	SIDE B OUTLET
ZASZ3	External Drain Only	4" (100 mm) ANSI 150 / DN100 PN16 Flange
ZASZX	External Drain Only	Code - RRF for integrated connection to monitors with RRM base

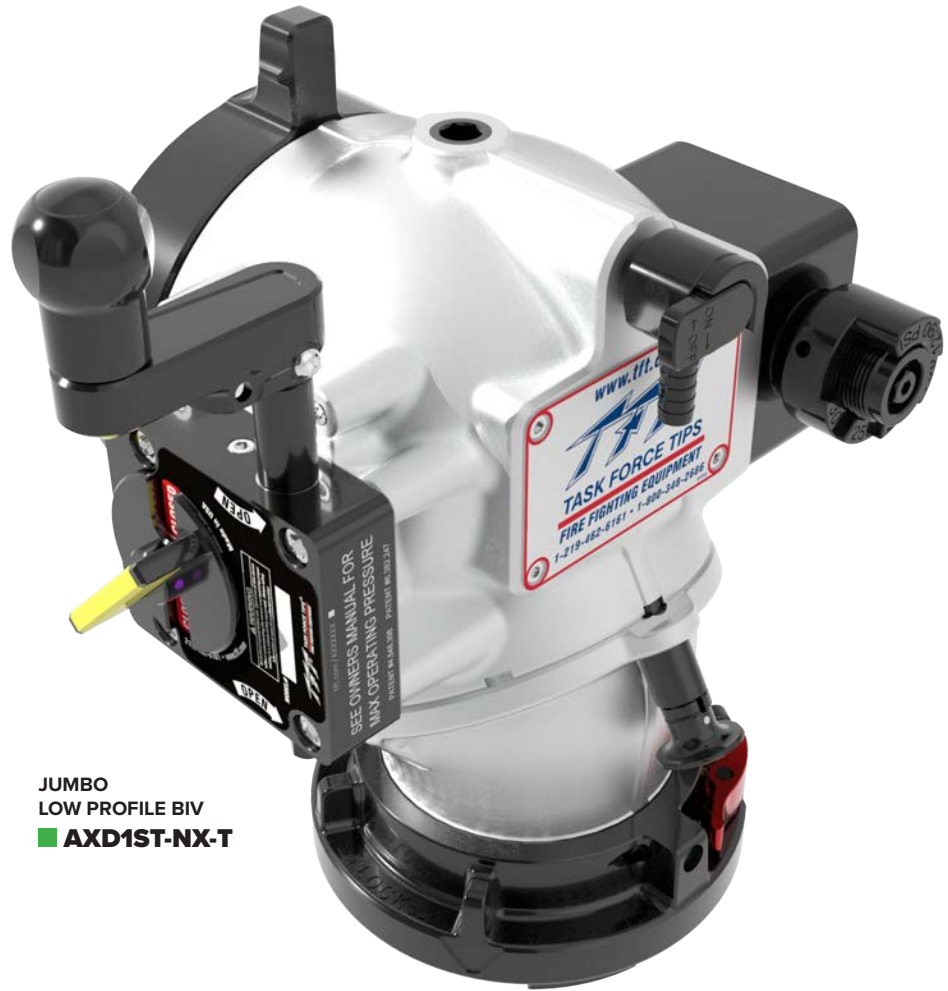


# APPLIANCES

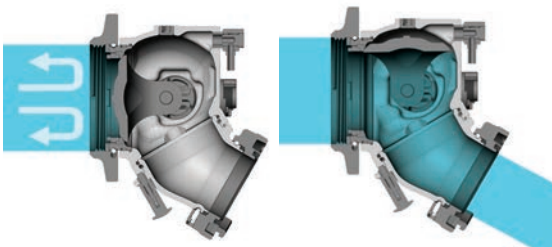
Fighting fire is all about getting enough water on the fire. Our revolutionary BIV lines provide a high-volume path for water as it moves from your water source — a firefighting apparatus, hydrant, or alternative water supply — to your pump's intake. Other appliances in the line include wyes, siamese, and a range of LDH equipment including the versatile Oasis™ for hydrant boosting and in-line relay operations.

**BIV BALL INTAKE VALVE™**  
**Manual and Remote Control**

TFT's BIV's are the ideal alternative to master intake valves integrated into the apparatus pump system because they eliminate the need for apparatus to be taken out of service for repair or maintenance of an intake valve. Units are constructed of lightweight, hard anodized and powder coated aluminum alloy. The aluminum alloy half ball has a corrosion resistant coating for additional corrosion protection. In addition, hose couplings and truck connections are attached to the valve using polymer bearing rings which provide electrical isolation to help prevent galvanic corrosion. Models are available with a choice of manual or remote controls, a fast acting pressure relief valve, and a unique swiveling inlet.



**JUMBO  
 LOW PROFILE BIV  
 AXD1ST-NX-T**



**Unique Valve Design**

When the BIV is closed, the water stays on the pump side so the inside of your valve is dry at all times. When the BIV is open, the valve completely swings out of the way and provides high flow, because of the unobstructed waterway.



**Hundreds of Configurations**

TFT offers a BIV solution for every application. Options include handle placement, inlet/outlet sizes, body profile, pressure relief, and remote control.

Design your BIV to fit your unique apparatus.



**High Flow to Your Pump**

The unobstructed 5.25" (133 mm) waterway on Jumbo BIV has only 3 psi of loss at 2000 gpm (0.2 bar @ 7600 l/min) with a 6" (150 mm) coupling.

For additional information on Ball Intake Valve's visit [TFT.com](http://TFT.com).

**BIV BALL INTAKE VALVE™**




**Manual and Remote Control**

- Easy Model Selection
- 10-Year Warranty
- High Flow, Low Friction Loss
- Configurations To Meet Your Needs

The Jumbo BIV features choice of side handwheel or top crank, or electric remote actuation. Available with standard air bleeder/drain valve, with or without a pressure relief valve. The detent swivel elbow inlet can free swivel or lock into any one of eight positions. Also available without elbow for a shorter installation. The larger water way on the Jumbo and Jumbo Low Profile BIV has improved flow efficiency, resulting in high flows when drafting, when supplied from a hydrant or during relay pumping operations.





Choose this series for best performance in tight profile pump panels.



	AXE-F Series	AXD-T Series	AXE-T Series	AXD-T Series
<p><b>Jumbo Low Profile Ball Intake Valve</b></p> <ul style="list-style-type: none"> <li>• 10 Year Warranty</li> <li>• High Flow 5.25" Waterway</li> <li>• Left or Right Crank Location</li> <li>• Top or Front Hand Crank Location</li> <li>• Electric Remote with Manual Override Knob</li> <li>• With or Without Easily Adjustable Pressure Relief Valve</li> <li>• Air Bleeder / Self Draining</li> </ul>				
	<p><b>Description</b> Low Profile Elbow, Front Crank, PRV</p> <p><b>Dim Max</b> 14.7"H, 13.8"W, 12.3"D</p>	<p><b>Description</b> Low Profile Elbow, Top Crank, PRV</p> <p><b>Dim Max</b> 16.6"H, 13.8"W, 11.3"D</p>	<p><b>Description</b> Low Profile Elbow, Top Crank, PRV</p> <p><b>Dim Max</b> 16.6"H, 13.8"W, 11.3"D</p>	<p><b>Description</b> Low Profile Elbow, Top Crank, PRV</p> <p><b>Dim Max</b> 16.6"H, 13.8"W, 11.3"D</p>

Choose this series for best performance.



	AX Series	AX-PS Series	AP Series	AP-PS Series
<p><b>Jumbo Ball Intake Valve</b></p> <ul style="list-style-type: none"> <li>• 10 Year Warranty</li> <li>• High Flow 5.25" Waterway</li> <li>• Left or Right Handwheel</li> <li>• Top Hand Crank Location</li> <li>• Electric Remote with Manual Override Knob</li> <li>• With or Without Easily Adjustable Pressure Relief Valve</li> <li>• Drain Valve / Air Bleeder</li> </ul>				
	<p><b>Description</b> Elbow, Handwheel, PRV</p> <p><b>Dim Max</b> 17.8"H, 14.0"W, 15.5"D</p>	<p><b>Description</b> Elbow, Top Crank, PRV</p> <p><b>Dim Max</b> 18.8"H, 11.5"W, 15.5"D</p>	<p><b>Description</b> No Elbow, Handwheel, PRV</p> <p><b>Dim Max</b> 17.4"H, 13.4"W, 12.9"D</p>	<p><b>Description</b> No Elbow, Top Crank, PRV</p> <p><b>Dim Max</b> 18.7"H, 11.2"W, 12.9"D</p>

**BIV BALL INTAKE VALVE™**

**Manual and Remote Control**

The Jumbo Low Profile is available with the operating crank or electric motor on the left or right side. The manually operated valves can be ordered with the front crank, or for very limited space such as behind a roll up door, top crank models can be ordered. Options for with or without pressure relief valve are also available. The air bleeder is standard and the Jumbo Low Profile is self-draining.

All valves have a valve position indicator to show when the valve is open, closed or in between. Valves are made from hardcoat aluminum that is powder coated inside and out for superior corrosion protection. The aluminum alloy half ball and seat retainers of all valves have a corrosion resistant coating for additional corrosion protection. A polymer bearing strip joins the couplings to the valve allowing easy swiveling, and electrically isolates the valve to reduce the chance of galvanic corrosion. Both the Jumbo and Jumbo Low Profile valves have a 10 Year Warranty. Contact TFT customer service for special industrial configurations not shown.

AZD-F Series	AZD-T Series	AZE-T Series	AZD-T Series	AXD-RC Series	AXE-RC Series
					
<b>Description</b> Low Profile Elbow, Front Crank, No PRV	<b>Description</b> Low Profile Elbow, Top Crank, No PRV	<b>Description</b> Low Profile Elbow, Top Crank, No PRV	<b>Description</b> Low Profile Elbow, Top Crank, No PRV	<b>Description</b> Low Profile Elbow, Electric, PRV	<b>Description</b> Low Profile Elbow, Electric, PRV
<b>Dim Max</b> 16.6"H, 13.4"W, 12.3"D	<b>Dim Max</b> 16.6"H, 13.4"W, 11.3"D	<b>Dim Max</b> 16.6"H, 13.4"W, 11.3"D	<b>Dim Max</b> 16.6"H, 13.4"W, 11.3"D	<b>Dim Max</b> 13.5"H, 15.6"W, 11.3"D	<b>Dim Max</b> 13.5"H, 15.6"W, 11.3"D

AZ Series	AZ-PS Series	AQ Series	AQ-PS Series	AX-RC Series	AP-RC Series
					
<b>Description</b> Elbow, Handwheel, No PRV	<b>Description</b> Elbow, Top Crank, No PRV	<b>Description</b> No Elbow, Handwheel, No PRV	<b>Description</b> No Elbow, Top Crank, No PRV	<b>Description</b> Elbow, Electric, PRV	<b>Description</b> No Elbow, Electric, PRV
<b>Dim Max</b> 12.7"H, 13.4"W, 16.1"D	<b>Dim Max</b> 14.6"H, 11.2"W, 16.1" D	<b>Dim Max</b> 12.7"H, 13.8"W, 12.1"D	<b>Dim Max</b> 14.6"H, 11.2"W, 12.1"D	<b>Dim Max</b> 17.9"H, 11.2"W, 16.1"D	<b>Dim Max</b> 17.9"H, 11.2"W, 12.1"D

***The smallest most compact BIV available can be found in the New Force section of the catalog.***



**JUMBO BIV BALL INTAKE VALVE™**



AX Series - TFT's Jumbo Ball Intake valve has a huge 5.25" (133 mm) diameter waterway giving low friction loss to maximize flow. Friction loss is 3 psi at 2000 gpm (0.2 bar at 7570 l/min). Designed for use with 4, 4.5, 5 or 6" (100, 114, 125, or 150 mm) hose. The 30° intake elbow swivels 360° and has multiple positive detents. Make hose connections in any direction with minimal kinks and coupling stress. Designed for pressure or vacuum service. Maximum operating pressure is 250 psi (17 bar). Meets 900 psi (62 bar) hydrostatic strength test. The aluminum castings are hardcoat anodized, and TFT-powder coat finished inside and out for maximum corrosion protection. All the components on the wet side of the valve are made of hardcoat anodized aluminum alloy with corrosion resistant coating for additional corrosion protection. The handwheel or handcrank needs 7-½ turns to close, meeting NFPA slow close requirements. There is a unique position indicator that shows the operator if the valve is open, closed or somewhere in between. The unit comes equipped with a rugged 3/4" (19 mm) drain valve to quickly drain water from the valve housing. A port for an optional air bleed valve is incorporated into the design for user friendly configurability. Hose coupling and truck connections are attached to the valve using polymer bearing rings which provide electrical isolation to help prevent galvanic corrosion. Includes TFT's adjustable pressure relief valve with a discharge that can

be directed one of four ways and meets NFPA 1900. Contact TFT customer service for special industrial configurations not shown. Pressure Loss Chart is located at the end of catalog.

The Jumbo Intake Valve series includes a 10-year warranty against manufacturing defects and corrosion that affects the valve's operational performance.

- Storz couplings are shipped with a pressure gasket installed. A suction gasket is available upon request for drafting operations
- To change a Storz from rigid to full-time swivel, back out the lockout screw until the coupling moves freely. Refer to the diagram found in the Technical Data section of the catalog.
- All 6" Storz couplings have an adjustable seal compression feature
- AX Models - Hand wheel installed on right side and can be easily switched to left side
- AP Models - Do not have 30° swiveling intake elbow
- To add an additional Vent/Drain for the Jumbo BIV order A1621-KIT

**Sample model numbers. See chart on next page for model number ordering information.**



**AX Series**  
**Dimensional Maximum**  
**AX1ST-NX**  
 31.5 lbs (14.3 kg)  
 16.80" (42.7 cm) Height  
 13.30" (33.8 cm) Width  
 15.50" (39.4 cm) Depth



**AP Series**  
**Dimensional Maximum**  
**AP1SX-NX**  
 35.2 lb (16.0 kg)  
 17.4" (44.2 cm) Height  
 13.4" (34.0 cm) Width  
 12.9" (32.8 cm) Depth



**AX\*-PS Series**  
**Dimensional Maximum**  
**AX1ST-NX-PS**  
 31.5 lbs (14.3 kg)  
 18.80" (47.8 cm) Height  
 11.20" (28.4 cm) Width  
 15.50" (39.4 cm) Depth



**AP\*-PS Series**  
**Dimensional Maximum**  
**AP1SX-NX-PS**  
 35.2 lbs (16.0 kg)  
 12.70" (32.3 cm) Height  
 14.00" (35.6 cm) Width  
 12.20" (31.0 cm) Depth

Adapters for 4" or 4.5" NH (100 or 114 mm) pump inlets.

	4" NH (100 mm) Pump Inlet Adapter	4.5" NH (114 mm) Pump Inlet Adapter
6" NH (150 mm) Threaded Male	<b>AA9NX-NP</b>	<b>AA9NX-NR</b>

*RC versions can be found in upcoming pages in this section.*

*Pressure Relief Valve information can be found in the Valves section of the catalog.*

*Suction Screen information can be found in the Technical Data section of the catalog.*

*Caps and Plugs can be found in the Adapter section of catalog.*

**JUMBO BIV BALL INTAKE VALVE™**

MODEL	STYLE	GEAR BOX	PRV	HOSE SIDE	PUMP SIDE
AP1ST-NX	Short	Handweel	Yes	5" Storz	6" NH F HNDL S
AP1ST-NX-PS	Short	Top Crank	Yes	5" Storz	6" NH F HNDL S
AP8NX-NX	Short	Handweel	Yes	6" NH M	6" NH F HNDL S
AP8NX-NX-PS	Short	Top Crank	Yes	6" NH M	6" NH F HNDL S
AQ8NX-NX-PS	Short	Top Crank	No	6" NH M	6" NH F HNDL S
AX1SP-NX	Angled Elbow	Handweel	Yes	4" Storz	6" NH F HNDL S
AX1SP-NX-PS	Angled Elbow	Top Crank	Yes	4" Storz	6" NH F HNDL S
AX1ST-NX	Angled Elbow	Handweel	Yes	5" Storz	6" NH F HNDL S
AX1ST-NX-PS	Angled Elbow	Top Crank	Yes	5" Storz	6" NH F HNDL S
AX1SX-NX	Angled Elbow	Handweel	Yes	6" Storz	6" NH F HNDL S
AX1SX-NX-PS	Angled Elbow	Top Crank	Yes	6" Storz	6" NH F HNDL S
AX1SX-NY-PS	Angled Elbow	Top Crank	Yes	6" Storz	8" NH F LUG S
AX7HNP-NX	Angled Elbow	Handweel	Yes	4" NH F LH S	6" NH F HNDL S
AX7NP-NX	Angled Elbow	Handweel	Yes	4" NH F RL S	6" NH F HNDL S
AX8NX-NX	Angled Elbow	Handweel	Yes	6" NH M	6" NH F HNDL S
AX8NX-NX-PS	Angled Elbow	Top Crank	Yes	6" NH M	6" NH F HNDL S
AZ1ST-NR-PS	Angled Elbow	Top Crank	No	5" Storz	4.5" NH F HNDL S
AZ1ST-NX-PS	Angled Elbow	Top Crank	No	5" Storz	6" NH F HNDL S
AZ1SX-FX-PS	Angled Elbow	Top Crank	No	6" Storz	4" ANSI FLANGE
AZ1SX-NX	Angled Elbow	Handweel	No	6" Storz	6" NH F HNDL S
AZ1SX-NX-PS	Angled Elbow	Top Crank	No	6" Storz	6" NH F HNDL S

**JUMBO LOW PROFILE BIV BALL INTAKE VALVE™**



AXD Series – TFT’s Jumbo Low Profile Ball intake valve has a huge 5.25" (133 mm) diameter waterway giving low friction loss to maximize flow. Designed for use with 4, 4.5, 5 or 6" (100, 114, 125, or 150 mm) hose. The 30° intake elbow swivels 360°, has multiple positive detents. Make hose connections in any direction with minimal kinks and coupling stress. The valve is designed for pressure or vacuum service. Maximum operating pressure is 250 psi (17 bar). Meets 900 psi (62 bar) hydrostatic strength test. Seven and a half turns of the hand crank to close the valve meets NFPA slow close requirements. A reflective position indicator clearly shows the operator the valve’s position. The handcrank can be specified to operate in the front or the top of the valve to maximize clearance. A rugged ¼-turn air vent at the top of the valve allows air to be bled quickly. TFT’s adjustable Pressure Relief Valve (PRV) is installed with the discharge pointing downward and meets NFPA 1900. All wetted components are aluminum alloys to prevent galvanic corrosion, and are specially coated for additional corrosion protection. Hose coupling and truck connections are attached to the valve

using polymer bearing rings which can provide electrical isolation to help prevent galvanic corrosion. The Jumbo Low Profile Ball Intake Valve is covered by a 10 year warranty. Contact TFT customer service for configurations not shown. Friction loss is 5 psi at 2000 gpm (0.3 bar at 7570 l/min); Pressure Loss Chart is located at the end of catalog.

- Storz couplings are shipped with a pressure gasket installed. A suction gasket is available upon request for drafting operations
- To change a Storz from rigid to full-time swivel, back out the lockout screw until the coupling moves freely. Refer to the diagram found in the Technical Data section of the catalog.
- All 6" Storz couplings have an adjustable seal compression feature
- The aluminum castings are hardcoat anodized, and TFT Powder Coat finished inside and out for maximum corrosion protection.
- Cap lanyard anchor point is standard

**Sample model numbers. See chart on next page for model number ordering information**

**SIDE A  
SWIVEL**



**SIDE B**

**LEFT FRONT CRANK SHOWN  
SAMPLE PART NUMBER**

■ **AXD1ST-NX-F**

*Front crank models open / close opposite all our other intakes.*

**SIDE A  
SWIVEL**



**SIDE B**

**RIGHT TOP CRANK SHOWN  
SAMPLE PART NUMBER**

■ **AXE1ST-NX-T**

**Dimensional  
Maximum**  
**AXD7HNP-NX-T**  
**26.8 lbs (12.2 kg)**  
**14.7" (37.3 cm) Height**  
**13.8" (35.1 cm) Width**  
**11.3" (28.7 cm) Depth**

Adapters for 4" or 4.5" NH (100 or 114 mm) pump inlets.

**4" NH (100 mm)  
Pump Inlet Adapter**

**4.5" NH (114 mm)  
Pump Inlet Adapter**

**6" NH (150 mm)  
Threaded Male**

**AA9NX-NP**

**AA9NX-NR**

*RC versions can be found in upcoming pages in this section.*

*Pressure Relief Valve information can be found in the Valves section of the catalog.*

*Suction Screen information can be found in the Technical Data section of the catalog.*

*Caps and Plugs can be found in the Adapter section of catalog.*

**JUMBO LOW PROFILE BIV BALL INTAKE VALVE™**

MODEL	STYLE	GEAR BOX	PRV	HOSE SIDE	PUMP SIDE
AXD1SP-NX-F	Left	Front	Yes	4" Storz	6" NH F HNDL S
AXD1SP-NX-T	Left	Top	Yes	4" Storz	6" NH F HNDL S
AXD1ST-NX-F	Left	Front	Yes	5" Storz	6" NH F HNDL S
AXD1ST-NX-T	Left	Top	Yes	5" Storz	6" NH F HNDL S
AXD7NP-NX-F	Left	Front	Yes	4" NH F RL S	6" NH F HNDL S
AXD8NX-NX-F	Left	Front	Yes	6" NH M	6" NH F HNDL S
AXD8NX-NX-T	Left	Top	Yes	6" NH M	6" NH F HNDL S
AXE1SP-NX-F	Right	Front	Yes	4" Storz	6" NH F HNDL S
AXE1SP-NX-T	Right	Top	Yes	4" Storz	6" NH F HNDL S
AXE1ST-NX-F	Right	Front	Yes	5" Storz	6" NH F HNDL S
AXE1ST-NX-T	Right	Top	Yes	5" Storz	6" NH F HNDL S



## BIV JUMBO BALL INTAKE VALVE™ RC

- Easy Model Selection
- 10-Year Warranty
- High Flow, Low Friction Loss
- Configurations To Meet Your Needs

The Jumbo Ball Intake Valve RC is an electric remote controlled valve with all the benefits of TFT's Jumbo Ball Intake Valve with the addition of powered operation. A handwheel is installed on the drive shaft for immediate manual override. Designed for 12 or 24 VDC operation, selection is automatic. The motor control circuit uses an encoder and current limiting to protect the drive train at the ends of travel. The panel mounted control box allows for remote operation and contains an LED display showing valve position. Unit comes with a panel mounted quick connect plug for the connection between the valve and control box. Electric drive and control box are waterproof. Mechanical installation consists of attaching the valve to the pump, mounting the control box and quick connect electric plug. Nine seconds from open to close, meets NFPA 1900 slow close requirement. The unit comes equipped with a rugged 3/4" (19 mm) drain valve to quickly drain water from the valve housing.

A port for an optional air bleed valve is incorporated into the design for user friendly configurability. Contact TFT customer service for configurations not shown. Pressure Loss Chart can be found in the Technical Data section of the catalog.

- Storz couplings are shipped with a pressure gasket installed. A suction gasket is available upon request for drafting operations
- To change a Storz from rigid to full-time swivel, back out the lockout screw until the coupling moves freely. Refer to the diagram found in the Technical Data section of the catalog.
- To add an additional Vent/Drain for the Jumbo BIV order A1621-KIT
- For additional control heads to operate valve from other location, refer to the RC Monitor Controls and Accessories section of the catalog.

**Sample model number. See chart on next page for model number ordering information.**



**Dimensional Maximum**

**AX1ST-NX-RC**  
**39.5 lbs (17.9 kg)**  
**17.80" (45.2 cm) Height**  
**11.20" (28.4 cm) Width**  
**15.40" (39.1 cm) Depth**

- Control box has five LEDs to show position of the valve
- Buttons for valve open, stop, close
- Can be quickly and easily set for manual (jog) or automatic (full travel) modes
- Pump panel electrical receptacle fitting with 15' (4.6 m) cable included
- Quick connect plug to panel receptacle allows easy removal of valve

	Adapters for 4" or 4.5" NH (100 or 114 mm) pump inlets.	
	<b>4" NH (100 mm) Pump Inlet Adapter</b>	<b>4.5" NH (114 mm) Pump Inlet Adapter</b>
<b>6" NH (150 mm) Threaded Male</b>	<b>AA9NX-NP</b>	<b>AA9NX-NR</b>

*Pressure Relief Valve information can be found in the Valves section of the catalog.*

*Suction Screen information can be found in the Technical Data section of the catalog.*

*Caps and Plugs can be found in the Adapter section of catalog.*

*If a Pressure Relief Valve (PRV) is not required, substitute the part number prefix AX with AZ or AP with AQ. AZ or AQ denotes no PRV.*

**BIV JUMBO BALL INTAKE VALVE™ RC**

MODEL	STYLE	GEAR BOX	PRV	HOSE SIDE	PUMP SIDE
AP8NX-NX-RC	Short	Electric	Yes	6" NH M	6" NH F HNDL S
AX1ST-NX-RC	Angled Elbow	Electric	Yes	5" Storz	6" NH F HNDL S
AX1SX-NX-RC	Angled Elbow	Electric	Yes	6" Storz	6" NH F HNDL S
AX7NP-NX-RC	Angled Elbow	Electric	Yes	4" NH F RL S	6" NH F HNDL S
AX8NX-NX-RC	Angled Elbow	Electric	Yes	6" NH M	6" NH F HNDL S

**BIV JUMBO LOW PROFILE BALL INTAKE VALVE™ RC**



AXD & AXE Series – The Jumbo Low Profile Ball Intake Valve RC is an electric remote controlled valve with all the benefits of TFT’s Jumbo Low Profile Ball Intake Valve with the addition of powered operation. A large knob is installed on the drive shaft for immediate manual override. Designed for 12 or 24 VDC operation, selection is automatic. The motor control circuit uses an encoder and current limiting to protect the drive train at the ends of travel. The panel mounted control box allows for remote operation and contains an LED display showing valve position. Unit comes with a panel mounted quick connect plug for connection between the valve and control box. Electric drive and control box are waterproof. Mechanical installation consists of attaching the valve to the pump, mounting the control box and quick-connect electric plug. Nine seconds from open to close, meets NFPA 1900 slow close requirement. The valve is designed for pressure or vacuum service. Maximum operating pressure is 250 psi (17 bar). Meets 900 psi (62 bar) hydrostatic strength test. A rugged ¼-turn air vent at the top of the valve allows air to be bled quickly. TFT’s adjustable Pressure Relief Valve (PRV) is installed with the discharge pointing downward and meets NFPA 1900. The aluminum castings are hardcoat

anodized, and TFT Powder Coated finished inside and out for maximum corrosion protection. All wetted components are aluminum alloys to prevent galvanic corrosion, and are specially coated for additional corrosion protection. Hose coupling and truck connections are attached to the valve using polymer bearing rings which can provide electrical isolation to help prevent galvanic corrosion. The Jumbo Low Profile Ball Intake Valve RC is covered by a 10 year warranty. Contact TFT customer service for configurations not shown. Friction loss is 5 psi (0.3 bar) at 2000 gpm (7570 l/min); Pressure Loss Chart can be found in the Technical Data section of the catalog.

- Control box has five LEDs to show position of the valve
- Buttons for valve open, stop, close
- Can be quickly and easily set for manual (jog) or automatic (full travel) modes
- For additional control heads to operate valve from other location, refer to the RC Monitor Controls and Accessories section of the catalog.

**Sample model number. See chart on next page for model number ordering information.**



**Dimensional Maximum**  
**AXD1SP-NX-RC**  
 37.8 lbs (17.1 kg)  
 15.4" (39.1 cm) Height  
 15.6" (39.6 cm) Width  
 11.3" (28.7 cm) Depth



**LEFT RC MOTOR MOUNT SHOWN**  
 SAMPLE PART NUMBER  
**AXD1ST-NX-RC**



**RIGHT RC MOTOR MOUNT SHOWN**  
 SAMPLE PART NUMBER  
**AXE1ST-NX-RC**



	Adapters for 4" or 4.5" NH (100 or 114 mm) pump inlets.	
	<b>4" NH (100 mm) Pump Inlet Adapter</b>	<b>4.5" NH (114 mm) Pump Inlet Adapter</b>
<b>6" NH (150 mm) Threaded Male</b>	<b>AA9NX-NP</b>	<b>AA9NX-NR</b>

*Storz couplings are shipped with a pressure gasket installed. A suction gasket is available upon request for drafting operations*

*To change a Storz from rigid to full-time swivel, back out the lockout screw until the coupling moves freely. Refer to the diagram found in the Technical Data section of the catalog.*

*For additional control heads to operate valve from other location, refer to the RC Monitor Controls and Accessories section of the catalog.*

*If a Pressure Relief Valve (PRV) is not required, substitute the part number prefix AXD with AZD or AXE with AZE. AZD or AZE denotes no PRV.*

*Pressure Relief Valve information can be found in the Valves section of the catalog.*

*Suction Screen information can be found in the Technical Data section of the catalog.*

*Caps and Plugs can be found in the Adapter section of catalog.*

**BIV JUMBO LOW PROFILE BALL INTAKE VALVE™ RC**

<b>MODEL</b>	<b>STYLE</b>	<b>GEAR BOX</b>	<b>PRV</b>	<b>HOSE SIDE</b>	<b>PUMP SIDE</b>
AXD1SP-NX-RC	Left	Electric	Yes	4" Storz	6" NH F HNDL S
AXD1ST-NX-RC	Left	Electric	Yes	5" Storz	6" NH F HNDL S
AXD7NP-NX-RC	Left	Electric	Yes	4" NH F R L S	6" NH F HNDL S
AXD8NX-NX-RC	Left	Electric	Yes	6" NH M	6" NH F HNDL S
AXE1ST-NX-RC	Right	Electric	Yes	5" Storz	6" NH F HNDL S



**45° HI-RISE VALVE**  
**2.5" (65 mm) Standpipe Connections**

The TFT Hi-Rise Valve helps eliminate cumbersome hose line setups and allows visibility of the supply pressure at the standpipe. The single piece 2.5" (65 mm) high flow elbow with pressure gauge is available with or without an integrated slow-close, half-ball valve. The single piece with swiveling couplings and pressure gauge section, eliminates fumbling with multiple pieces allowing a quick connection. The large, easy-to-read pressure gauge is protected by a heavy duty housing with a replaceable lens. The pressure gauge swivels 360° for easy

visibility. A quarter-turn bleeder valve allows quick pressure bleeding of the waterway. The slow close valve includes a position indicator and the valve handle can be ordered on the left side or right side. The full-flow 2.5" waterway valve will not slam shut, while allowing easy movement under pressure. These valves are available in the Hi-Rise Kit on next page.

Add "M" to end of model number for Metric Pressure Gauge 0-200 psi (0-1400 kPa).



**■ AVG2ENJNJ**  
**8.0 lbs (3.6 kg)**  
**11.4" (29.0 cm) Length**  
**5.8" (14.7 cm) Width**  
**9.4" (23.9 cm) Height**

- 45° standpipe waterway with no valve
- Full 2.5" (65 mm) waterway that results in maximum flow rate with minimal friction loss
- Includes an air bleeder and a protected in-line pressure gauge that reads 0 – 200 psi (0-14 bar)
- Swivels 360° to fit the widest variety of standpipe connections
- Gauge reads outlet pressure



**■ AVGSC2LNJNJ**  
**9.6 lbs (4.4 kg)**  
**11.4" (29.0 cm) Length**  
**8.8" (22.4 cm) Width**  
**9.4" (23.9 cm) Height**

- 45° standpipe waterway with a Left-handle slow close valve
- Full 2.5" (65 mm) waterway that results in maximum flow rate with minimal friction loss
- Includes a position indicator, which identifies open and close positions
- Includes an air bleeder and a protected in-line pressure gauge that reads 0 – 200 psi (0-14 bar)
- Valve body swivels 360° before tightening and gauge body always swivels 360° to fit the widest variety of standpipe connections
- Gauge reads outlet pressure



**■ AVGSC2RNJNJ**  
**9.6 lbs (4.4 kg)**  
**11.4" (29.0 cm) Length**  
**8.1" (20.6 cm) Width**  
**9.4" (23.9 cm) Height**

- 45° standpipe waterway with a Right-handle slow close valve
- Full 2.5" (65 mm) waterway that results in maximum flow rate with minimal friction loss
- Includes a position indicator, which identifies open and close positions
- Includes an air bleeder and a protected in-line pressure gauge that reads 0 – 200 psi (0-14 bar)
- Valve body swivels 360° before tightening and gauge body always swivels 360° to fit the widest variety of standpipe connections
- Gauge reads outlet pressure

**45° HI-RISE KIT**

**2.5" (65 mm) Configurable for Different Stand Pipe Installations**

Compact, Heavy Duty Duffel Bag



2.5" X 1.5" (65 X 38mm) Reducer



1.5" X 2.5" (38 X 65 mm) Increaser



2 Spanner Wrenches

2.5" (65 mm) Standpipe Valve with In-Line Pressure Gauge



**FEATURES INCLUDE**

- The large 2.5" (65 mm) Gauge is protected in a heavy duty housing and features a replaceable window.
- The Pressure Gauge swivels 360° for easy visibility in tight spaces.
- Equipped with an integrated Air Bleeder Valve.



HI-RISE PACKAGE MODEL	SPANNER WRENCH	BAG - HI RISE EQUIPMENT EMBROIDERED	HI RISE VALVE 45 DEG W/ GAUGE	ADAPTER 2.5" NHF X 1.5" NHM RIGID	ADAPTER 1.5" NHF X 2.5" NHM
HI-RISE-L	A3813 (2)	HI-RISE-BAG	AVGSC2LNJNJ (Left Valve)	H-A	JNF-NJ
HI-RISE-R	A3813 (2)	HI-RISE-BAG	AVGSC2RNJNJ (Right Valve)	H-A	JNF-NJ

HI-RISE PACKAGE MODEL	SPANNER WRENCH	BAG - HI RISE EQUIPMENT EMBROIDERED	HI-RISE ELBOW 45 DEG W/ GAUGE	ADAPTER 2.5" NHF X 1.5" NHM RIGID	ADAPTER 1.5" NHF X 2.5" NHM
HI-RISE-E	A3813 (2)	HI-RISE-BAG	AVG2ENJNJ	H-A	JNF-NJ

**FORESTRY VALVE**

**Forestry Tee Valves**

TEE VALVE has a hardcoat anodized cast aluminum body with 1.5" (38 mm) threads and 1.0" (25 mm) branch outlet. The valve stem has a durable nylon handle. The 2.5" (6.4 cm) hexagon body is 4.75" (12.1 cm) long.



MODEL	THREADS		INLET COUPLING	TEE VALVE BRANCH	LENGTH	WEIGHT
	INLET	OUTLET				
ATNF-ID	1.5" NH (38 mm)	1.5" NH (38 mm)	Hexagon Fixed	1.0" NPSH (25 mm)	4.75" (12.1 cm)	1.0 lb (0.5 kg)

**FORESTRY VALVE**

**Gated Wyes**

FORESTRY GATED WYE has a cast aluminum body with 1" (25 mm) ball type valves and optional long or short nylon valve handles. Hardcoat anodized finish. Inlet and outlet threads are available in various combinations of 1" & 1.5" (25 mm & 38 mm) NH.

Pressure tested to 1000 psi (70 bar) and is 5" (12.7 cm) long by 5.5" (14 cm) wide, excluding handles. See charts for model numbers. NPSH threads available at no extra cost. Please specify NPSH in description.



MODEL	THREADS		COUPLING	VALVE HANDLE	LENGTH	WEIGHT
	INLET FEMALE	OUTLET MALE				
AYLND-ND	1.0" NH (25 mm)	1.0" NH (25 mm)	Rocker Lug Swivel	Long Handle	5.0" (12.7 cm)	2.2 lb (1.0 kg)
AYLNF-NF	1.5" NH (38 mm)	1.5" NH (38 mm)	Rocker Lug Swivel	Long Handle	5.0" (12.7 cm)	2.2 lb (1.0 kg)
AYSNF-NF	1.5" NH (38 mm)	1.5" NH (38 mm)	Rocker Lug Swivel	Short Handle	5.0" (12.7 cm)	2.2 lb (1.0 kg)

**GATED WYE**

**Gated Wyes 2.5" x 1.5" (65 mm x 38 mm)**



- AYNJ-NF**
- Quarter-turn aluminum ball valves provide a positive shut-off
  - Hardcoat anodized couplings
  - Rugged lightweight aluminum alloy casting with durable powder coat finish inside and out
  - Full flow 1.5" (38 mm) ball waterway
  - Super tough nylon color coded folding handles



- AYSNJ-NF**
- Quarter-turn aluminum ball valves provide a positive shut-off
  - Hardcoat anodized couplings
  - Rugged lightweight aluminum alloy casting with durable powder coat finish inside and out
  - Full flow 1.5" (38 mm) ball waterway
  - Hardcoat anodized aluminum color coded short handles

MODEL	THREADS		COUPLING	VALVE HANDLE	LENGTH	WEIGHT
	INLET FEMALE	OUTLET MALE				
AYNJ-NF	2.5" NH (65 mm)	(2) 1.5" NH (38 mm)	Rocker Lug Swivel	Long Folding Handles	6.0" x 6.75" (15.2 x 17.1 cm)	3.6 lb (1.6 kg)
AYSNJ-NF	2.5" NH (65 mm)	(2) 1.5" NH (38 mm)	Rocker Lug Swivel	Short Handles	5.2" x 6.75" (13.2 x 17.1 cm)	4.9 lb (2.2 kg)

**GATED WYE**  
**2.5" (65 mm)**

NFPA  
 COMPLIANT

TFT's 2.5" (65 mm) Gated Wye is a lightweight wye with a full 2.5" (65 mm) waterway. 300 psi (20 bar) operating pressure from either side of valve. Field replaceable valve seats. Quarter turn folding valve handles for the ultimate in compactness. Low force to move valve even under pressure. Cast in carrying

handle. Automatic valve lock keeps valve position while flowing at partial openings. Pipe threaded ports for pressure gauge and bleed valve. Holes for cap tether attachment. Aluminum casting is hardcoat anodized and silver TFT-powder coat finish inside and out for maximum corrosion protection.



MODEL	THREADS		COUPLING		VALVE HANDLE	LENGTH	WEIGHT
	INLET	OUTLET	INLET	OUTLET			
AY5NJ-NJ	2.5" NH (65 mm)	(2) 2.5" NH (65 mm)	Rocker Lug Swivel	Male Threaded	Long Handle	8.9" H x 10.5" W x 7.4" D (23 x 27 x 19 cm)	10.4 lb (4.7 kg)

AY175-KIT - GAUGE KIT is available for the AY Series Gated Wye.

A1621-KIT - VENT DRAIN KIT is available for the AY Series Gated Wye.

Information can be found in the Technical Data section of the catalog.

**HYDRANT VALVE**

**2.5" (65 mm)**

TFT's Quarter Turn Hydrant Valve is a lightweight valve with a full 2.5" (65 mm) waterway. 300 psi (21 bar) operating pressure from either side of valve. Valve handle has low force to move valve even under pressure. Automatic valve lock keeps valve position while flowing at partial openings. All the components

on the wet side of the valve are made of hardcoat anodized aluminum for additional corrosion protection. Pipe threaded port for pressure gauge or bleeder valve. Aluminum casting is hardcoated and silver TFT-powder coat finish inside and out for maximum corrosion protection.



**AV5NJ-NJ**

- Quarter-turn aluminum ball valve provide a positives shut-off
- Field replaceable valve seat
- Super tough nylon folding handle
- A1621-KIT Vent drain kit available



**AV5NJ-NJ-SC**

- Slow close multi-turn knob prevents water hammer
- Includes valve position indicator
- Field replaceable valve seat
- A1621-KIT Vent drain kit available

MODEL	THREADS		INLET COUPLING	WATERWAY SIZE	LENGTH	WEIGHT	NFPA COMPLIANT
	INLET	OUTLET					
AV5NJ-NJ	2.5" (65 mm)	2.5" (65 mm)	Rocker Lug Swivel	2.5" (65 mm)	7.6"H x 5.7"W x 8.4"L (19.3 x 14.5 x 21.3 cm)	5.8 lb (2.6 kg)	
AV5NJ-NJ-SC	2.5" (65 mm)	2.5" (65 mm)	Rocker Lug Swivel	2.5" (65 mm)	9.1"H x 5.7"W x 8.4"L (22.6 x 14.5 x 21.3 cm)	5.8 lb (2.6 kg)	

**WATER THIEF**

**2.5" x 1.5" (65 mm x 38 mm)**

TFT's Water Thief is a lightweight valve with full 2.5" and 1.5" (65 mm and 38 mm) waterways. 300 psi (21 bar) operating pressure from either side of the valves. Field replaceable valve seats. Quarter turn valve handles with low force to move even under pressure. Automatic valve lock on the 2.5" (65 mm) valve keeps

its position while flowing at partial openings. Special internal contour on the 1.5" (38 mm) valves keeps them in position while flowing. Aluminum casting is hardcoat anodized and silver TFT-powder coat finish inside and out for maximum corrosion protection.



**WT5NJ-NJ-NF**

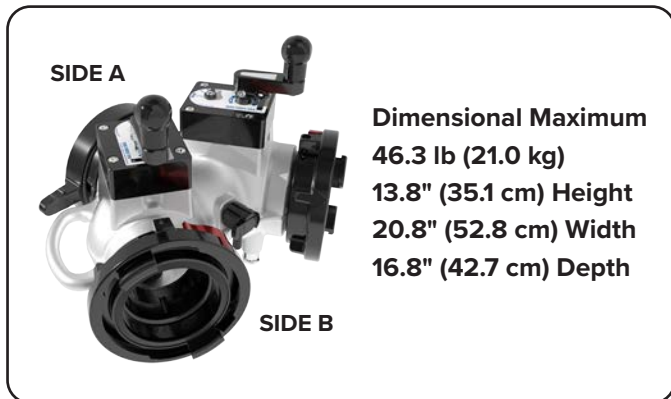
- Folding nylon handles minimize storage space
- Red, blue, and orange valve color coding
- Pipe threaded port for pressure gauge
- Strap assists in carrying and dragging hose

MODEL	THREADS		INLET COUPLING	LENGTH	WEIGHT
	INLET FEMALE	OUTLET MALE			
WT5NJ-NJ-NF	2.5" (65 mm)	2.5" (65 mm), (2) 1.5" (38 mm)	Rocker Lug Swivel	7.6"H x 9.8"W x 10.6"L (19.3 x 24.9 x 26.9 cm)	9.7 lb (4.4 kg)

**LDH GATED WYE**

The LDH Gated Wye is a lightweight, low friction-loss valve that can be used in many water distribution applications. Dual robust valve mechanisms from the TFT Ball Intake Valve are streamlined to a large waterway for the ultimate in versatility. Valve seats are field replaceable, devices include

a 300 psi (21 bar) pressure gauge and quarter turn air vent and drain valve. Two robust carrying handles make for easy deployment. A polymer bearing ring prevents galvanic corrosion on LDH couplings.

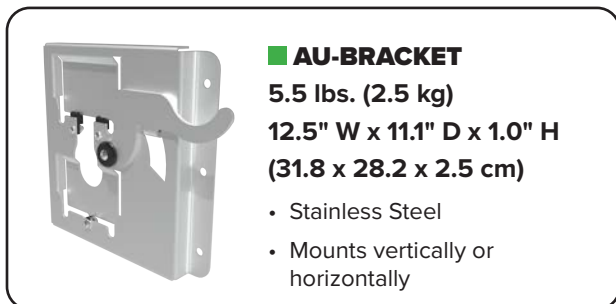


**LDH GATED WYE - Ground / Loose Equipment**

MODEL	SIDE A	SIDE B
AL22P2P0	4.0" (100 mm) Storz	4.0" (100 mm) Storz X (2)
AL22T2T0	5.0" (125 mm) Storz	5.0" (125 mm) Storz X (2)
AL22X2X0	6.0" (150 mm) Storz	6.0" (150 mm) Storz X (2)

To change a Storz from rigid to full-time swivel, back out the lockout screw until the coupling moves freely. Refer to the diagram found in the Technical Data section of the catalog.

+All 6" Storz couplings have an adjustable seal compression feature



**JUMBO SIAMESE DUAL CLAPPER**

AS Series - JUMBO SIAMESE - Designed for 4", 5", or 6" (100, 125, or 150 mm) hose. Siamese appliances feature dual clapper valves to allow one or both inlets to be disconnected without draining the water in the third hose line connection. TFT's Siamese are more efficient for LDH flow systems. Maximum operating pressure is 250 psi (17 bar). Meets 900 psi (62 bar) hydrostatic strength test. The aluminum castings are hardcoat anodized and TFT-powder coat finish inside and out for maximum corrosion protection. Rugged carrying handle included.

Three strategically placed legs allow the appliance to sit off the ground even with 6" Storz on inlet/outlet. Large main housing provides superior strength and durability. Hose couplings are attached using polymer bearing rings, which provide electrical isolation to help prevent galvanic corrosion.



MODEL	SIDE A - SINGLE STORZ	SIDE B - DUAL
AS4SP-SP	4.0" (100 mm) Storz	4.0" (100 mm) Storz
AS4ST-ST	5.0" (125 mm) Storz	5.0" (125 mm) Storz

To change a Storz from rigid to full-time swivel, back out the lockout screw until the coupling moves freely. Refer to the diagram found in the Technical Data section of the catalog.



MODEL	SIDE A - SINGLE STORZ	SIDE B - DUAL FEMALE SWIVEL ROCKER NH
AS9NJ-SP*	4.0" (100 mm) Storz	2.5" (65 mm) Threaded Swivel
AS9NJ-ST*	5.0" (125 mm) Storz	2.5" (65 mm) Threaded Swivel



MODEL	SIDE A SINGLE MALE NH	SIDE B - DUAL FEMALE SWIVEL ROCKER NH
AS9NJ-NJ*	2.5" (65 mm)	2.5" (65 mm) Threaded Swivel

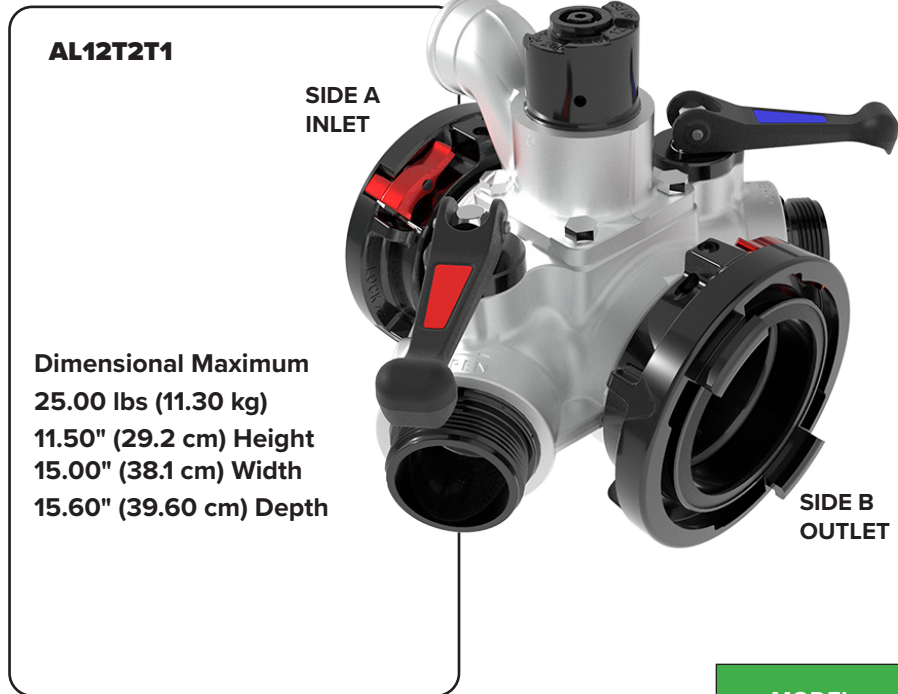
#Single clapper only. Single Leg. Does not include carrying handle.



**LDH WATER THIEF**

TFT's LDH Water Thief is a rugged valve with two valved discharge ports, each with a full 2.5" (65 mm) waterway. Maximum operating pressure is 300 psi (21 bar). Valve seats are field replaceable. Quarter turn valve handles operate with low force to move even under pressure.

Automatic valve lock keeps its position while flowing at partial openings. Folding handles minimize storage space. Aluminum casting is hardcoat anodized and silver TFT Powder Coat finish inside and out for maximum corrosion protection. Optional adjustable pressure relief valve.



**AL12T2T1**

SIDE A  
INLET

**Dimensional Maximum**  
 25.00 lbs (11.30 kg)  
 11.50" (29.2 cm) Height  
 15.00" (38.1 cm) Width  
 15.60" (39.60 cm) Depth

SIDE B  
OUTLET

MODEL	A INLET SIDE	B OUTLET SIDE	PRV
AL12T2T1	5.0" (125 mm) Storz	5.0" (125 mm) Storz	Yes
Water Thief Supplied with 2.5" (65 mm) Male Outlets.			

*To change a Storz from rigid to full-time swivel, back out the lockout screw until the coupling moves freely. Refer to the diagram found in the Technical Data section of the catalog.*


### 3-WAY VALVED MANIFOLD

TFT's 3-Way Valved Manifold is a rugged manifold with three 2.5" (64 mm) valved discharge ports, each with a full 2.5" (64 mm) waterway. Maximum operating pressure is 300 psi (21 bar). Valve seats are field replaceable. Quarter turn valve handles operate with low force to move even under pressure. Automatic valve lock keeps its position while flowing at partial openings.

Folding handles minimize storage space. Aluminum casting is hardcoat anodized and silver TFT Powder Coat finish inside and out for maximum corrosion protection. Optional adjustable pressure relief valve. Optional rugged 3/4" (19 mm) air bleed valve to quickly bleed air from the lines or to drain water from the valve housing.

**AL3**

**SIDE A INLET**



**WITH PRV**

**Dimensional Maximum**  
**25.00 lbs (11.3 kg)**  
**11.50" (29.2 cm) Height**  
**15.00" (38.1 cm) Width**  
**17.50" (44.50 cm) Depth**

**WITH OUT PRV**

**Dimensional Maximum**  
**23.00 lbs (10.4 kg)**  
**8.75" (22.2 cm) Height**  
**15.00" (38.1 cm) Width**  
**17.50" (44.50 cm) Depth**

MODEL	A INLET SIDE	PRV
AL32P1	4" Storz	Yes
AL32T0	5" Storz	No
AL32T1	5" Storz	Yes
3-Way Manifold Supplied with 2.5" (64 mm) Male Outlets.		


### 3-WAY SIAMESE MANIFOLD

TFT's 3-Way Valved Siamese Manifold is a rugged siamese manifold with three 2.5" (64 mm) valved inlet ports, each with a full 2.5" (64 mm) waterway. Maximum operating pressure is 300 psi (21 bar). Valve seats are field replaceable. Quarter turn valve handles operate with low force to move even under pressure. Automatic valve lock keeps its position while flowing at partial

openings. Folding handles minimize storage space. Aluminum casting is hardcoat anodized and silver TFT Powder Coat finish inside and out for maximum corrosion protection. Optional adjustable pressure relief valve. Optional rugged 3/4" (19 mm) air bleed valve to quickly bleed air from the lines or to drain water from the valve housing.

**AL72T0**

**SIDE A INLET**



**Dimensional Maximum**  
**23.00 lbs (10.1 kg)**  
**8.75" (22.2 cm) Height**  
**15.00" (38.1 cm) Width**  
**17.50" (44.50 cm) Depth**

MODEL	A INLET SIDE	PRV
AL72T0	5" Storz	No
3-Way Siamese Manifold Supplied with 2.5" (64 mm) Female Swivel Rocker Lug Inlets.		

*To change a Storz from rigid to full-time swivel, back out the lockout screw until the coupling moves freely. Refer to the diagram found in the Technical Data section of the catalog.*

*All 6" Storz couplings have an adjustable seal compression feature*


**4-WAY VALVED MANIFOLD**

TFT's 4-Way Valved Manifold is a rugged manifold with four 2.5" (65 mm) valved discharge ports, each with a full 2.5" (65 mm) waterway. Maximum operating pressure is 300 psi (21 bar). Valve seats are field replaceable. Quarter turn valve handles with low force to move even under pressure. Automatic valve lock keeps its position while flowing at

partial openings. Folding handles minimize storage space. Aluminum casting is hardcoat anodized and silver TFT Powder Coat finish inside and out for maximum corrosion protection. Optional adjustable pressure relief valve. Optional rugged 3/4" (19 mm) air bleed valve to quickly bleed air from the lines or to drain water from the valve housing.

**AL4**

**SIDE A INLET**



**WITHOUT PRV**

**Dimensional Maximum**  
**27.30 lbs (12.4 kg)**  
**8.75" (22.2 cm) Height**  
**15.00" (38.1 cm) Width**  
**17.50" (44.50 cm) Depth**

**WITH PRV**

**Dimensional Maximum**  
**30.00 lbs (13.60 kg)**  
**11.50" (29.2 cm) Height**  
**15.00" (38.1 cm) Width**  
**17.50" (44.50 cm) Depth**

MODEL	A INLET SIDE	PRV
AL42T1-DSC*	5.0" (125 mm) Storz	Yes
AL42T0	5.0" (125 mm) Storz	No
AL42T1	5.0" (125 mm) Storz	Yes
4-Way Manifold Supplied with 2.5" (65 mm) Male Outlets.		

\* With detent Slow Close valves

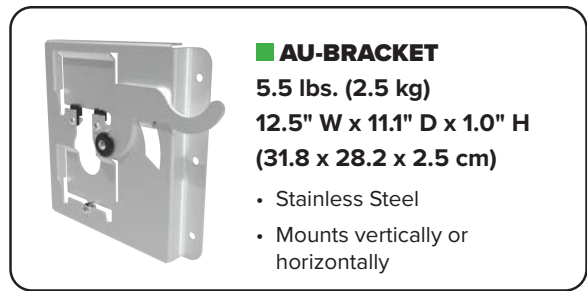
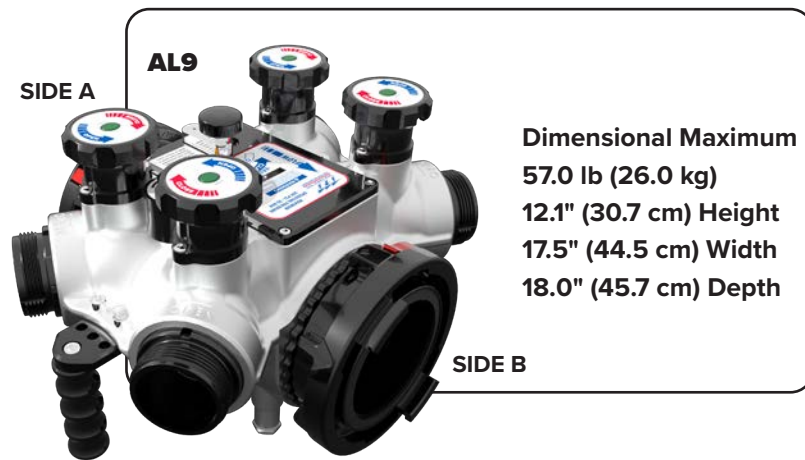
To change a Storz from rigid to full-time swivel, back out the lockout screw until the coupling moves freely. Refer to the diagram found in the Technical Data section of the catalog.

**5-WAY VALVED MANIFOLD**

The 5-Way Manifold is a compact, portable, low friction-loss valve that can be used in many water distribution applications. The hydraulically actuated slide valve is combined with four of TFT's 2.5" (65 mm) slow close valves. Multi-turn knob meets slow close requirements, prevents water hammer. Includes a visual valve position indicator and makes for the ultimate in versatility. All four 2.5" (65 mm) valves can be used with or without the LDH valve being open. Valve seats are field replaceable.

The automatic valve lock on the 2.5" (65 mm) valves maintain valve position while flowing at partial openings. Device includes carrying handle, a pressure gauge and pressure relief valve (PRV). A polymer bearing ring helps prevent galvanic corrosion on LDH couplings.

Storage bracket available.



MODEL	DESCRIPTION
AL92P2P3-SC	5 Way Manifold - 4.0" (100 mm) Storz X 4.0" (100 mm) Storz with 300 psi PRV, Slow Close Valves
AL92T2T3-SC	5 Way Manifold - 5.0" (125 mm) Storz X 5.0" (125 mm) Storz with 300 psi PRV, Slow Close Valves

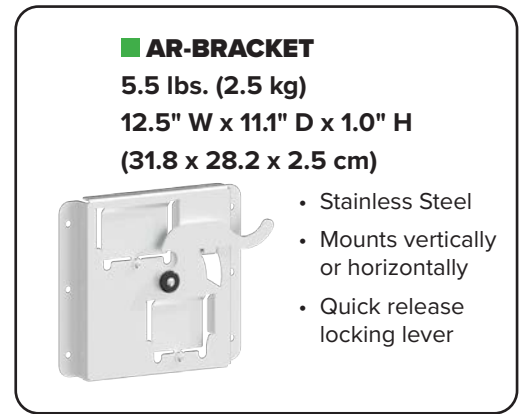
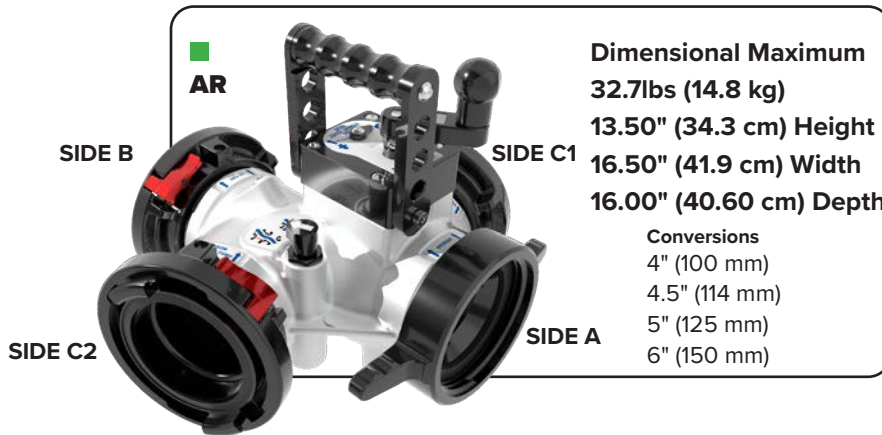
5-Way Manifold Supplied with 2.5" (65 mm) Male Outlets.

To change a Storz from rigid to full-time swivel, back out the lockout screw until the coupling moves freely. Refer to the diagram found in the Technical Data section of the catalog.

**OASIS™ HYDRANT ASSIST**

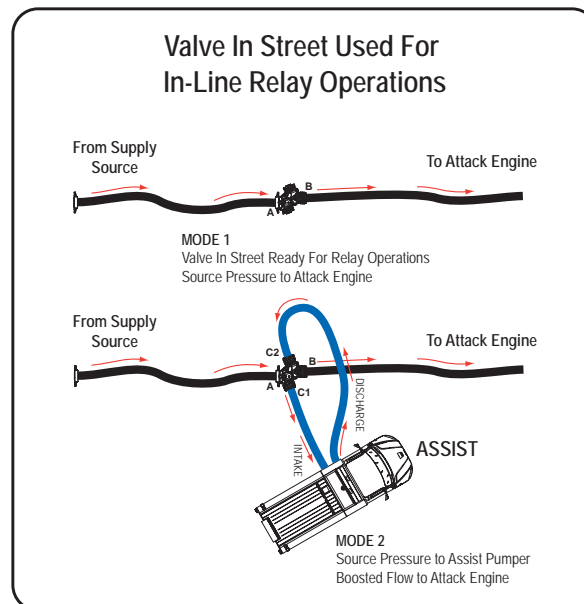
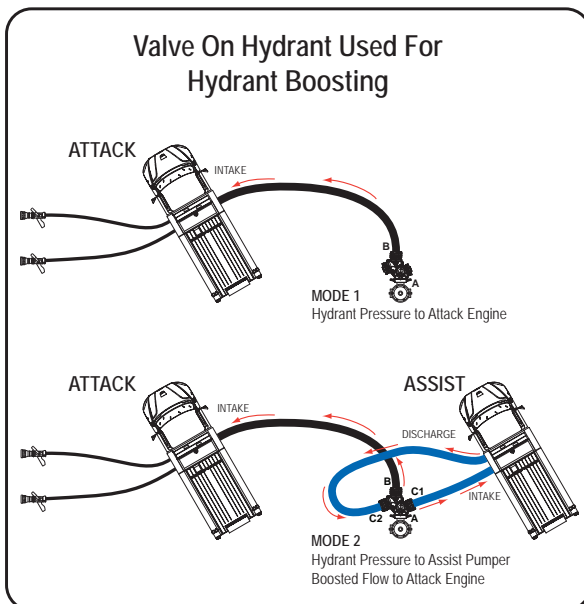
TFT's Oasis Hydrant Assist Valve is a versatile valve that can be used as a hydrant booster, as a gated wye, or for inline pumping during relay operations. In hydrant boosting operation, the valve is first connected to the hydrant and to the intake supply line on the first pumper. Inlet and outlet supply lines on a boost pumper are then connected to the valve to draw water directly from the hydrant connection and increase pressure/flow to the first pumper. A clapper valve with position indicator provides

uninterrupted water flow to the fire when transitioning to boost mode, and in the event of boost pump failure. Two unique valve position indicators tell the operator if the ball and clapper valves are open or closed. Designed for use with 4", 4.5", 5" or 6" (100, 114, 125 or 150 mm) hose. Maximum operating pressure is 250 psi (17 bar). Meets 900 psi (62 bar) hydrostatic strength test. The aluminum castings are hardcoat anodized inside and out, and TFT powder coat finished on the outside.



MODEL	SHUT OFF	SIDE A	SIDE B	SIDE C1	SIDE C2
AR5P7P7P5P	NO	4" NH F LH S	4" NH M	4" NH M	4" NH F LH S
AR5R2P2P2P	NO	4.5" NH F LH S	4" STORZ	4" STORZ	4" STORZ
AR5R2T2T2T	NO	4.5" NH F LH S	5" STORZ	5" STORZ	5" STORZ
ARS2T2T2T2T	YES	5" STORZ	5" STORZ	5" STORZ	5" STORZ
ARS5R2P2P2P	YES	4.5" NH F LH S	4" STORZ	4" STORZ	4" STORZ
ARS5R2T2T2T	YES	4.5" NH F LH S	5" STORZ	5" STORZ	5" STORZ
ARS5RMTMTMT	YES	4.5" NH F LH S	5" STORZ (METAL FACE)	5" STORZ (METAL FACE)	5" STORZ (METAL FACE)

F = Female To change a Storz from rigid to full-time swivel, back out the lockout screw until the coupling moves freely. Refer to the diagram found in the Technical Data section of the catalog. All 6" Storz couplings have an adjustable seal compression feature.



**IN-LINE VALVE**

TFT's In-Line Valve is a multi-purpose valve designed for use with 4", 4.5" or 5" (100, 114, or 125 mm) hose. Maximum operating pressure is 300 psi (21 bar). Meets 900 psi (62 bar) hydrostatic strength test. The aluminum casting are Hardcoat anodized, and

Powder Coat finished inside and out for maximum corrosion protection. The valve meets NFPA slow close requirements. Optional adjustable pressure relief valve and rugged 3/4" (19 mm) air bleed valve are available.

**AN**

**SIDE A  
SEAL SIDE**



**SIDE B**

**Dimensional Maximum**  
**23.00 lbs (10.4 kg)**  
**13.80" (35.1 cm) Height**  
**8.60" (21.8 cm) Width**  
**10.10" (25.70 cm) Depth**

**Conversions**  
**P) 4" (100 mm)**  
**R) 4.5" (114 mm)**  
**T) 5" (125 mm)**

MODEL	INLET	OUTLET
AN1P1P02	4" STORZ	4" STORZ
AN1T1T02	5" STORZ	5" STORZ
AN3P7P02	4" NH F RL S	4" NH M
AN3R1T02	4.5" NH F RL S	5" STORZ
AN5R1P02	4.5" NH F LH S	4" STORZ
AN5R1T02	4.5" NH F LH S	5" STORZ

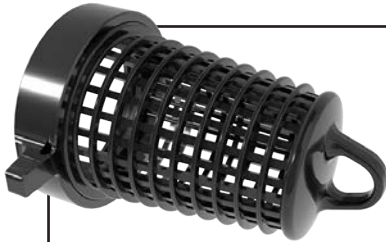
*F = Female M= Male*

*To change a Storz from rigid to full-time swivel, back out the lockout screw until the coupling moves freely. Refer to the diagram found in the Technical Data section of the catalog.*

**BARREL STRAINER**

JUMBO BARREL STRAINER - Heavy duty barrel strainer gives maximum flow capability. The impact resistant polymer won't dent when dropped and won't corrode even in contaminated water. The wavy straining pattern resists debris sucking flat

against the holes. 240 holes total 48 in<sup>2</sup> of flow area. An oversize loop makes tying off the strainer easy. The coupling is made from hard anodized aluminum and rotates easily on a polymer bearing ring.



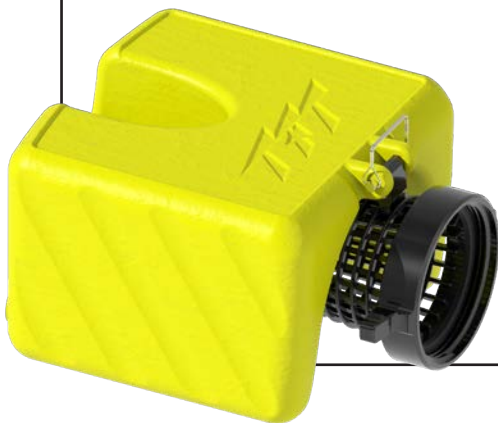
**A02**  
**4.0 lb (1.8g)**  
**12.00" (30.5 cm) Length**  
**8" (20.3 cm) Diameter**

MODEL	COUPLING
A02NJ	2.5" NH (65 mm) Swivel Female Rocker Lug
A02HNX	6.0" NH (150 mm) Swivel Female Long Handle
A02NPM	4.0" NH (100 mm) Rigid Male Rocker Lug

**FLOATING BARREL STRAINER**

The Floating Barrel Strainer includes an integrated detachable float that is compact, and both the float and strainer are constructed of rugged, corrosion proof, hi-tech polymers. The flow efficient design permits high flows and can be used in open

bodies of water or portable tanks. The swivel inlet allows quick and easy installation to suction hose.



**A06**  
**9.2 lb (4.3 kg)**  
**21.3" (51.4 cm) Length**  
**14.9" (37.8 cm) Width**  
**10.5" (26.7 cm) Height**

- **Extremely Lightweight** – Float and strainer basket made from corrosion proof hi-tech polymers.

- **Easily Detachable Float** – Quick conversion to simple barrel strainer
- **Compact** – Stores in small space
- **Flow Efficient Design** – Permits high flows
- **Versatile** – Can be used in open bodies of water, or portable tanks
- **Swivel Inlet Fitting** – Quick and easy installation to suction hose
- **Low-riding Barrel** – Reduces risk of roll-over

MODEL	COUPLING
A06HNX	6.0"NHF (150 mm) Swivel Female Long Handle
A06ST	5.0" (125 mm) Storz

**FLOATING LOW-LEVEL STRAINER WITH JET SIPHON**

Flotation device allows TFT high volume low-level strainer to collect water from ponds, lakes, and rivers while minimizing intake of sediment. The strainer inlet, made of hard anodized and powder-coated aluminum, hangs 18" (45.7 cm) below water level to avoid sucking surface air and bottom debris. Capable of supporting up to 30 ft (9 m) of hose, the strainer extends well beyond safety ledges of residential ponds. The clog-resistant stainless steel filter has over twice as much flow area as a 6" hose. This keeps friction loss down to 0.5 psi (0.03 bar) at 1500 gpm (5678 l/min) and reduces the potential for air vortices

to form. Oversized sealed ball pivot allows 45° range of hose angle without constricting the flow path. Jet Siphon substantially increases suction lift capability and is also useful for tank shuttle, pump priming and dewatering with no need for a trash pump. Jet Siphon has 1.5" (38 mm) female hose threaded coupling that pivots freely to avoid hose kinks. Rugged polyethylene float is yellow for high visibility and nests compactly over the strainer for minimal storage space. Float removal is not necessary for low level use, although a tethered latching hinge pin allows the float to be removed or installed instantly if desired.



**A03HNX-JET-F**  
 Shown with 6" (150 mm) threaded coupling and float in storage position.  
 33.2 lb (15.1 kg)  
 12.9" (32.8 cm) Height  
 14.9" (37.8 cm) Width  
 27.1" (68.8 cm) Depth

MODEL	COUPLING	JET SIPHON	FLOATING
A03HNX-JET-F	6.0" NH (150 mm) Swivel Female Long Handle	Jet Siphon with 1.5" NH (38 mm) Female Pivoting Inlet	YES
A03ST-JET-F	5.0" (125 mm) Storz		
A03HNXJETFIF	6.0" NH (150 mm) Swivel Female Long Handle	Jet Siphon 1.5" NPSH (38 mm) Female Pivoting Inlet	
A03SP-JETFIF	4.0" (125 mm) Swivel Female Long Handle		





# NEW FORCE PROGRAM

Our New Force family of products are designed to help you fight fires, not your budget. New Force products are competitively priced, feature-packed and made with quality top-of-mind. Products within the New Force line include a wide range of nozzles, portable foam systems, foam attachments, ground monitors, and a ball intake valves. All of the items are backed by the strong warranties and responsive technical service and support you've come to expect from us.

## INTRODUCTION

### TFT's New Force Family of Products

#### New Force is Global

Firefighters around the globe are using TFT New Force products. The G-Force nozzle line is a highly customizable platform with a wide range of options for fixed, selectable, and automatic nozzles. To make it easier for our customers, we've designed a section in the following pages with the most popular US (Domestic) and Canada nozzles and another section that includes the most frequently purchased items by our International customers. If you need any assistance in finding the nozzle best for you, contact your local TFT New Force dealer or your Territory Sales Manager. A list of TFT Sales Managers is available at [tft.com](http://tft.com).

#### Warranty

All TFT New Force items include a Limited 5-Year Warranty. For full warranty details, see the Statement of Warranty and Repair in the Customer Support and Order Information section of the catalog.



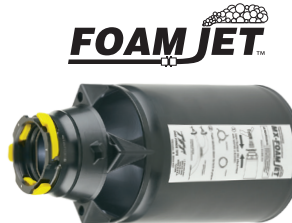
**BlitzForce**



**Flip**



**FOAMJET**



**TRANSFORMER  
PIERCING NOZZLE**



**PRO/pak**



**Low Profile  
Ball Intake  
Valve**



**THE CHIMNEY  
SNUFFER**



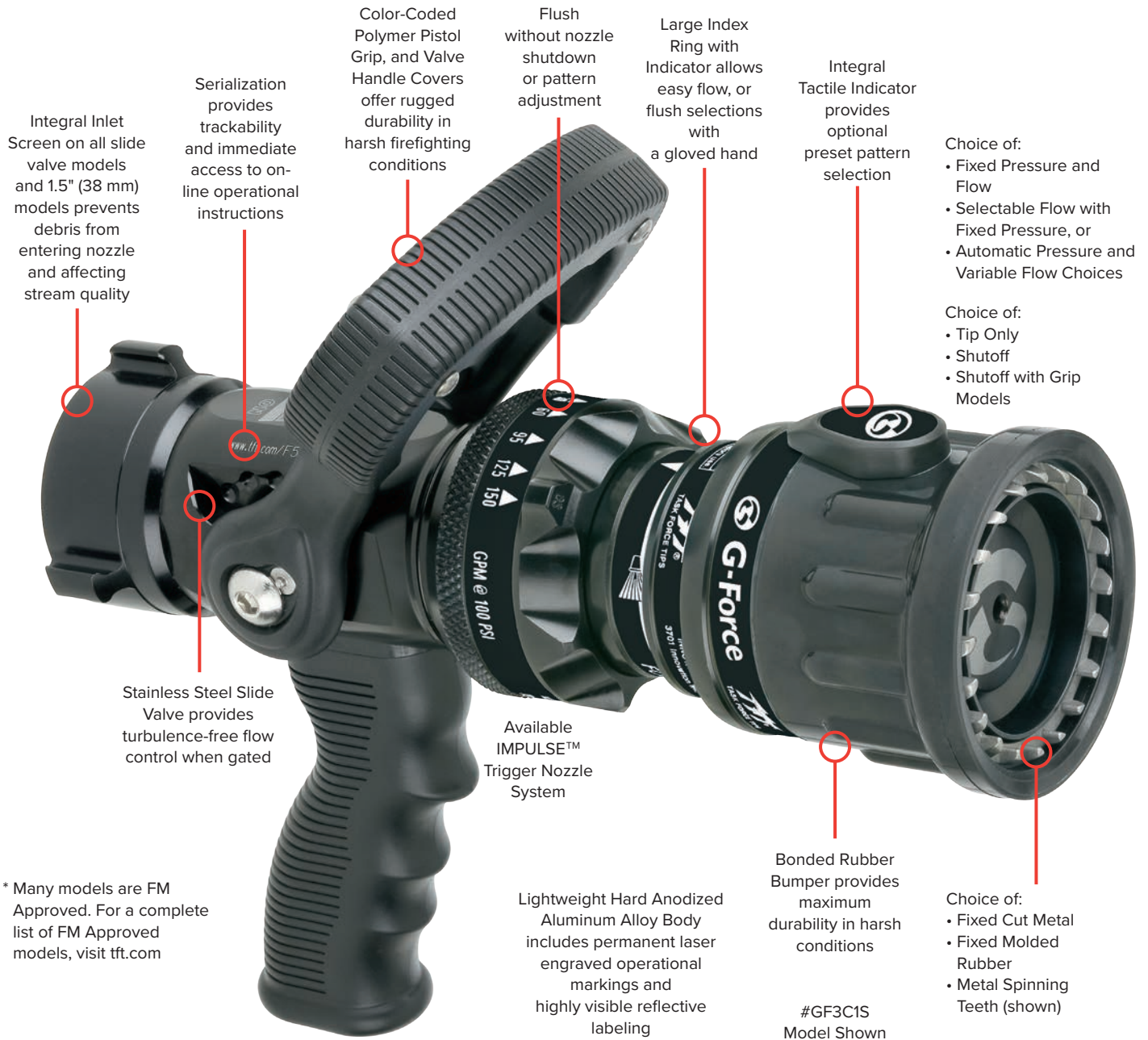
**G-FORCE® NOZZLES**

**High Performance Features**



Based on a highly customizable global nozzle platform design, the unique G-Force series of fixed, selectable, and automatic nozzles combine over 40 years of Task Force Tips design innovation and experience into true next generation firefighting tools. Manufactured exclusively at TFT's USA production facilities, the G-Force series is supported by an extensive infrastructure of 24-hour technical service representatives,

on-line documentation, digital video training library, exclusive product serialization and tracking capabilities, and a proven 5 year product warranty. Incorporating unique performance components such as a stainless steel slide valve, inlet debris screen and protective fog pattern choices, the G-Force series delivers high performance and rugged dependability in a low cost package.



\* Many models are FM Approved. For a complete list of FM Approved models, visit [tft.com](http://tft.com)

**G-FORCE® NOZZLES**  
High Performance Features



**Tip Only, Shutoff and Shutoff with Grip Models**

With hundreds of available models, the G-Force series offers two piece tip only and ball valve configurations for break-and-extend operations, as well as one piece nozzles with an integrated slide valve. All models, including two piece ball valve configurations, can be ordered with a color coded pistol grip and valve handle cover.



**Fixed Cut Metal, Molded Rubber, or Metal Spinning Teeth**

All models may be ordered with your choice of diamond cut fixed metal, fixed molded rubber, or metal spinning teeth. All fog teeth are designed to provide superior pattern performance and outstanding firefighter protection without bent, broken, or missing teeth. The bonded rubber bumper provides long term rugged dependability even in the harshest firefighting conditions.



**Rugged Color Coded Valve Handle and Pistol Grip**



Ergonomically shaped pistol grip, valve handle and covers made from super tough polymer for rugged dependability. Eleven available colors allow for customization for pump discharge hoseline identification, for specific fire apparatus, specific stations or department.

**Stainless Steel Slide Valve**

Unique slide style valve with positive valve position detents provides turbulence-free stream performance even when gating the nozzle.



**Integral Debris Screen**

Inlet screen on all slide valve models and 1.5" (38 mm) models prevents pattern destroying debris from entering the nozzle and becoming lodged. Items that pass through the screen are easily flushed out the front of the nozzle.



**Flush without Pattern Adjustment or Nozzle Shut Off**

Nozzles can be easily and effectively flushed of unwanted and pattern destroying debris that enters the



nozzle without shutting down or changing pattern selection during hazardous firefighting conditions.

**Reflective Labeling and Permanent Laser Markings**

Reflective clear coated labeling provides a visually reflective image at night or in dark conditions. High contrast laser engraved operational controls are permanently marked for a lifetime of rugged service.

Reflective clear coated labeling provides a visually reflective image at night or in dark



**Model Serialization**

Each nozzle is permanently marked with a unique serial number that aids in departmental asset tracking, manufacture date, model identification, and easily



tracks service and warranty activities. Web enabled online serial number search also provides immediate access to all operational and service documentation.

**Index Ring**

Large, easy to grip index ring provides both visual and tactile indication of operational flow or flush choices.



**Tactile Pattern Position Indicator**

Tactile indicator preset to straight stream position offers optional pattern selection detent. The quick change pattern adjustment allows straight stream to a wide protective fog pattern with one simple hand motion.

**G-FORCE® DOMESTIC NOZZLES**

**Flow and Pressure Choices**



**Fixed Pressure and Flow**

Optimal straight stream and fog pattern performance are achieved at a single rated flow and single rated pressure.

**Selectable Flow with Fixed Pressure**

Optimal straight stream and fog pattern performance are achieved at the selected flow and the single rated pressure.

**Automatic Pressure / Variable Flow**

Optimal straight stream and fog pattern performance are achieved over the rated flow range at the rated pressure.

**1.5" (38 mm) G-Force Flow and Pressure**

A	Fixed 150 gpm @ 100 psi (570 l/min @ 7 bar)
B	Fixed 150 gpm @ 75 psi (570 l/min @ 5 bar)
C	Selectable 30/60/95/125/150 gpm @ 100 psi (110/230/360/470/570 l/min @ 7 bar)
D	Selectable 30/60/95/125/150 gpm @ 75 psi (110/230/360/470/570 l/min @ 5 bar)
E	Automatic 60-150 gpm @ 100 psi (230-570 l/min @ 7 bar)
F	Automatic 60-150 gpm @ 75 psi (230-570 l/min @ 5 bar)

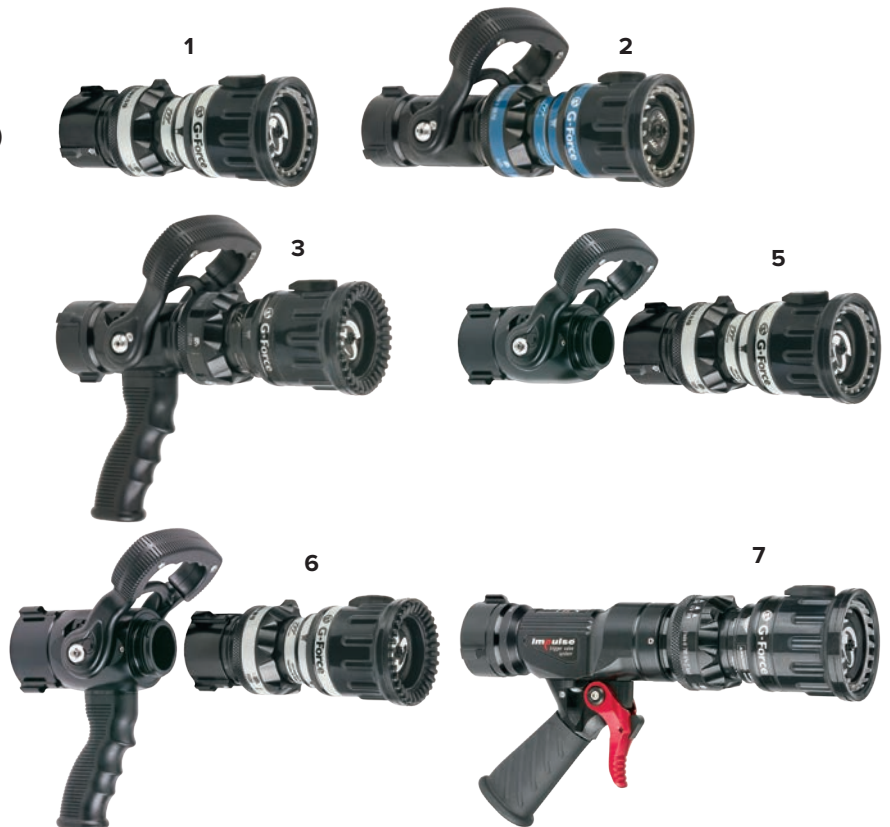
**1.0" (25 mm) G-Force Flow and Pressure**

F	Selectable 15/30/45/60/75 gpm @ 100 psi (60/110/170/230/285 l/min @ 7 bar)
G	Selectable 15/30/45/60/75 gpm @ 75 psi (60/110/170/230/285 l/min @ 5 bar)
N	Automatic 20-80 gpm @ 100 psi (75-300 l/min @ 7 bar)
P	Automatic 20-80 gpm @ 75 psi (75-300 l/min @ 5 bar)



**Style of Valve**

- 1 G-Force 1.0" (25 mm) Tip-Only (No Shutoff Valve)
- 2 G-Force 1.0" and 1.5" (25 and 38 mm) One Piece Nozzle with Slide Valve (No Pistol Grip)
- 3 G-Force 1.0" and 1.5" (25 and 38 mm) One Piece Nozzle with Slide Valve and Pistol Grip
- 5 G-Force 1.0" and 1.5" (25 and 38 mm) Two Piece Nozzle with Tip-Only and Ball Valve Shutoff (No Pistol Grip)
- 6 G-Force 1.0" and 1.5" (25 and 38 mm) Two Piece Nozzle with Tip-Only and Ball Valve Shutoff with Pistol Grip
- 7 G-Force 1.0" and 1.5" (25 and 38 mm) Impulse Nozzle with Trigger Flow Control



**G-FORCE® DOMESTIC NOZZLES**



MODEL	INLET	STYLE	PRESSURE CONTROL	SHAPER CONTROL	FOG TEETH
<b>GD SERIES</b>					
<b>SELECTABLE</b>					
GDD3F1F	1.0" (25 mm) NH Female	Nozzle w/Slide Valve w/Pistol Grip	Selectable 15/30/45/60/75 gpm @ 100 psi (60/110/170/230/285 l/min @ 7 bar)	Fixed Tactile Indicator	Fixed Molded Rubber
GDD3F1S	1.0" (25 mm) NH Female	Nozzle w/Slide Valve w/Pistol Grip	Selectable 15/30/45/60/75 gpm @ 100 psi (60/110/170/230/285 l/min @ 7 bar)	Fixed Tactile Indicator	Spinning Metal
GDD3G1S	1.0" (25 mm) NH Female	Nozzle w/Slide Valve w/Pistol Grip	Selectable 15/30/45/60/75 gpm @ 75 psi (60/110/170/230/285 l/min @ 5 bar)	Fixed Tactile Indicator	Spinning Metal
GDD7F1S	1.0" (25 mm) NH Female	Impulse Nozzle with Trigger Flow Control	Selectable 15/30/45/60/75 gpm @ 100 psi (60/110/170/230/285 l/min @ 7 bar)	Fixed Tactile Indicator	Spinning Metal
<b>AUTOMATIC</b>					
GDD1N2F	1.0" (25 mm) NH Female	Tip-Only (No Shutoff Valve)	Automatic 20-80 gpm @ 100 psi (75-300 l/min @ 7 bar)	Tactile Indicator with Pattern Detent	Fixed Molded Rubber
<b>G SERIES</b>					
<b>FIXED</b>					
GF1A1F	1.5" (38 mm) NH Female	Tip-Only (No Shutoff Valve)	Fixed 150 gpm @ 100 psi (570 l/min @ 7 bar)	Fixed Tactile Indicator	Fixed Molded Rubber
GF3A1F	1.5" (38 mm) NH Female	Nozzle w/Slide Valve w/Pistol Grip	Fixed 150 gpm @ 100 psi (570 l/min @ 7 bar)	Fixed Tactile Indicator	Fixed Molded Rubber
GF3A1S	1.5" (38 mm) NH Female	Nozzle w/Slide Valve w/Pistol Grip	Fixed 150 gpm @ 100 psi (570 l/min @ 7 bar)	Fixed Tactile Indicator	Spinning Metal
GF3B1F	1.5" (38 mm) NH Female	Nozzle w/Slide Valve w/Pistol Grip	Fixed 150 gpm @ 75 psi (570 l/min @ 5 bar)	Fixed Tactile Indicator	Fixed Molded Rubber
GF3B1S	1.5" (38 mm) NH Female	Nozzle w/Slide Valve w/Pistol Grip	Fixed 150 gpm @ 75 psi (570 l/min @ 5 bar)	Fixed Tactile Indicator	Spinning Metal

MODEL	INLET	STYLE	PRESSURE CONTROL	SHAPER CONTROL	FOG TEETH
<b>G SERIES</b>					
<b>SELECTABLE</b>					
GF1C1F	1.5" (38 mm) NH Female	Tip-Only (No Shutoff Valve)	Selectable 30/60/95/125/150 gpm @ 100 psi (110/230/360/470/570 l/min @ 7 bar)	Fixed Tactile Indicator	Fixed Molded Rubber
GF1C1S	1.5" (38 mm) NH Female	Tip-Only (No Shutoff Valve)	Selectable 30/60/95/125/150 gpm @ 100 psi (110/230/360/470/570 l/min @ 7 bar)	Fixed Tactile Indicator	Spinning Metal
GF2C2S	1.5" (38 mm) NH Female	Nozzle w/Slide Valve (No Pistol Grip)	Selectable 30/60/95/125/150 gpm @ 100 psi (110/230/360/470/570 l/min @ 7 bar)	Tactile Indicator with Pattern Detent	Spinning Metal
GF3C1F	1.5" (38 mm) NH Female	Nozzle w/Slide Valve w/Pistol Grip	Selectable 30/60/95/125/150 gpm @ 100 psi (110/230/360/470/570 l/min @ 7 bar)	Fixed Tactile Indicator	Fixed Molded Rubber
GF3C1S	1.5" (38 mm) NH Female	Nozzle w/Slide Valve w/Pistol Grip	Selectable 30/60/95/125/150 gpm @ 100 psi (110/230/360/470/570 l/min @ 7 bar)	Fixed Tactile Indicator	Spinning Metal
GF3C2S	1.5" (38 mm) NH Female	Nozzle w/Slide Valve w/Pistol Grip	Selectable 30/60/95/125/150 gpm @ 100 psi (110/230/360/470/570 l/min @ 7 bar)	Tactile Indicator with Pattern Detent	Spinning Metal
GF3D1F	1.5" (38 mm) NH Female	Nozzle w/Slide Valve w/Pistol Grip	Selectable 30/60/95/125/150 gpm @ 75 psi (110/230/360/470/570 l/min @ 5 bar)	Fixed Tactile Indicator	Fixed Molded Rubber
GF3D1S	1.5" (38 mm) NH Female	Nozzle w/Slide Valve w/Pistol Grip	Selectable 30/60/95/125/150 gpm @ 75 psi (110/230/360/470/570 l/min @ 5 bar)	Fixed Tactile Indicator	Spinning Metal
GF3D2S	1.5" (38 mm) NH Female	Nozzle w/Slide Valve w/Pistol Grip	Selectable 30/60/95/125/150 gpm @ 75 psi (110/230/360/470/570 l/min @ 5 bar)	Tactile Indicator with Pattern Detent	Spinning Metal
<b>AUTOMATIC</b>					
GF1E1F	1.5" (38 mm) NH Female	Tip-Only (No Shutoff Valve)	Automatic 60-150 gpm @ 100 psi (230-570 l/min @ 7 bar)	Fixed Tactile Indicator	Fixed Molded Rubber
GF1F1S	1.5" (38 mm) NH Female	Tip-Only (No Shutoff Valve)	Automatic 60-150 gpm @ 75 psi (230-570 l/min @ 5 bar)	Fixed Tactile Indicator	Spinning Metal
GF2E1F	1.5" (38 mm) NH Female	Nozzle w/Slide Valve (No Pistol Grip)	Automatic 60-150 gpm @ 100 psi (230-570 l/min @ 7 bar)	Fixed Tactile Indicator	Fixed Molded Rubber
GF3E1F	1.5" (38 mm) NH Female	Nozzle w/Slide Valve w/Pistol Grip	Automatic 60-150 gpm @ 100 psi (230-570 l/min @ 7 bar)	Fixed Tactile Indicator	Fixed Molded Rubber
GF3E1S	1.5" (38 mm) NH Female	Nozzle w/Slide Valve w/Pistol Grip	Automatic 60-150 gpm @ 100 psi (230-570 l/min @ 7 bar)	Fixed Tactile Indicator	Spinning Metal
GF3E2F	1.5" (38 mm) NH Female	Nozzle w/Slide Valve w/Pistol Grip	Automatic 60-150 gpm @ 100 psi (230-570 l/min @ 7 bar)	Tactile Indicator with Pattern Detent	Fixed Molded Rubber
GF3E2S	1.5" (38 mm) NH Female	Nozzle w/Slide Valve w/Pistol Grip	Automatic 60-150 gpm @ 100 psi (230-570 l/min @ 7 bar)	Tactile Indicator with Pattern Detent	Spinning Metal
GF3F1F	1.5" (38 mm) NH Female	Nozzle w/Slide Valve w/Pistol Grip	Automatic 60-150 gpm @ 75 psi (230-570 l/min @ 5 bar)	Fixed Tactile Indicator	Fixed Molded Rubber
GF3F1S	1.5" (38 mm) NH Female	Nozzle w/Slide Valve w/Pistol Grip	Automatic 60-150 gpm @ 75 psi (230-570 l/min @ 5 bar)	Fixed Tactile Indicator	Spinning Metal
GF3F2F	1.5" (38 mm) NH Female	Nozzle w/Slide Valve w/Pistol Grip	Automatic 60-150 gpm @ 75 psi (230-570 l/min @ 5 bar)	Tactile Indicator with Pattern Detent	Fixed Molded Rubber
GF3F2S	1.5" (38 mm) NH Female	Nozzle w/Slide Valve w/Pistol Grip	Automatic 60-150 gpm @ 75 psi (230-570 l/min @ 5 bar)	Tactile Indicator with Pattern Detent	Spinning Metal

## Impulse™ Trigger Valve System

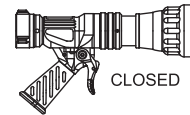
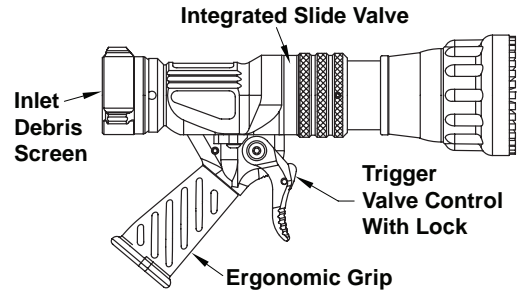
Task Force Tips has never been afraid to challenge the status quo of initial attack firefighting.

The revolutionary IMPULSE trigger valve system can now be integrated into many G-Force firefighting nozzles as an option.

The innovative integration of a trigger actuator with TFT's globally recognized slide style of valve, provides complete nozzle operator flow control with only a single hand, allowing the other hand to consistently control stream pattern selection. The trigger controller operates smoothly and easily throughout

the nozzle's rated flow and pressure range, and offers the ability to hold multiple valve positions at the operator's discretion. The unique ergonomic pistol grip complements the trigger valve design and greatly reduces operator fatigue.

- Ergonomic Pistol Grip w/available color coding
- Trigger Valve Controller with removable flow lock
- Integrated Slide Style Shut Off Valve
- Front Protective Bumper with Multiple Fog Tooth Designs





## G-FORCE® INTERNATIONAL NOZZLES

MODEL	INLET	STYLE	PRESSURE CONTROL	SHAPER CONTROL	FOG TEETH
<b>G SERIES</b>					
<b>SELECTABLE</b>					
GB3N2S	38 mm (1.5") BSP Female	Nozzle w/Slide Valve w/Pistol Grip	Selectable 110/230/360/470/570 l/min @ 7 bar	Tactile Indicator with Pattern Detent	Spinning Metal
GB3P2S	38 mm (1.5") BSP Female	Nozzle w/Slide Valve w/Pistol Grip	Selectable 110/230/360/470/570 l/min @ 5 bar	Tactile Indicator with Pattern Detent	Spinning Metal
GE3P2S	52 mm Storz	Nozzle w/Slide Valve w/Pistol Grip	Selectable 110/230/360/470/570 l/min @ 5 bar	Tactile Indicator with Pattern Detent	Spinning Metal
GH3N2S	65 mm (2.5") BIC Male	Nozzle w/Slide Valve w/Pistol Grip	Selectable 110/230/360/470/570 l/min @ 7 bar	Tactile Indicator with Pattern Detent	Spinning Metal
<b>AUTOMATIC</b>					
GB3U2F	38 mm (1.5") BSP Female	Nozzle w/Slide Valve w/Pistol Grip	Automatic 240-570 l/min @ 5 bar	Tactile Indicator with Pattern Detent	Fixed Molded Rubber
GD3G2S	2.0" BSP Male	Nozzle w/Slide Valve w/Pistol Grip	Automatic 60-150 gpm @ 100 psi	Tactile Indicator with Pattern Detent	Spinning Metal
GH3E2S	65 mm (2.5") BIC Male	Nozzle w/Slide Valve w/Pistol Grip	Automatic 230-570 l/min @ 7 bar (60-150 gpm @ 100 psi)	Tactile Indicator with Pattern Detent	Spinning Metal
<b>GD SERIES</b>					
<b>AUTOMATIC</b>					
GDB3N2F	25 mm (1.0") BSP Female	Nozzle w/Slide Valve w/Pistol Grip	Automatic 75-300 l/min @ 7 bar (20-80 gpm @ 75 psi)	Tactile Indicator with Pattern Detent	Fixed Molded Rubber
GDB7W2F	25 mm (1.0") BSP Female	Impulse Nozzle with Trigger Flow Control	Automatic with override 75-300 l/min @ 7 bar	Tactile Indicator with Pattern Detent	Fixed Cut Metal
<b>GP SERIES EN15182 CERTIFIED/PULSING</b>					
<b>SELECTABLE</b>					
GPA3C2M	25 mm (1.0") BSP Female	Nozzle w/Slide Valve w/Pistol Grip	Selectable EN 50/100/150 l/min @ 6 bar	Tactile Indicator with Pattern Detent	Fixed Cut Metal
GPA7C2S	25 mm (1.0") BSP Female	Impulse Nozzle with Trigger Flow Control	Selectable EN 50/100/150 l/min @ 6 bar	Tactile Indicator with Pattern Detent	Spinning Metal
GPB3B2S	38 mm (1.5") BSP Female	Nozzle w/Slide Valve w/Pistol Grip	Selectable EN 100/235/400 l/min @ 6 bar	Tactile Indicator with Pattern Detent	Spinning Metal
GPB3Y2M	38 mm (1.5") BSP Female	Nozzle w/Slide Valve w/Pistol Grip	Selectable EN 100/200/300/400/500 l/min @ 6 bar	Tactile Indicator with Pattern Detent	Fixed Cut Metal
GPE3Y2M	52 mm Storz	Nozzle w/Slide Valve w/Pistol Grip	Selectable EN 100/200/300/400/500 l/min @ 6 bar	Tactile Indicator with Pattern Detent	Fixed Cut Metal
<b>AUTOMATIC</b>					
GPB3D2M	38 mm (1.5") BSP Female	Nozzle w/Slide Valve w/Pistol Grip	Automatic EN 100-500 l/min @ 6 bar	Tactile Indicator with Pattern Detent	Fixed Cut Metal
GPB3F2M	38 mm (1.5") BSP Female	Nozzle w/Slide Valve w/Pistol Grip	Automatic EN / Pulsing 250/500 l/min @ 6 bar, Automatic Override	Tactile Indicator with Pattern Detent	Fixed Cut Metal
GPB3U2M	38 mm (1.5") BSP Female	Nozzle w/Slide Valve w/Pistol Grip	Automatic EN / Pulsing 500 l/min @ 6 bar, Automatic Override	Tactile Indicator with Pattern Detent	Fixed Cut Metal

## G-FORCE® INTERNATIONAL NOZZLES

MODEL	INLET	STYLE	PRESSURE CONTROL	SHAPER CONTROL	FOG TEETH
<b>GDP SERIES EN 15182-2 PN 16/PULSING</b>					
<b>SELECTABLE</b>					
GDPB3E2F	25 mm (1.0") BSP Female	Nozzle w/Slide Valve w/Pistol Grip	Selectable EN 40/100/150/235 l/min @ 6 bar	Tactile Indicator with Pattern Detent	Fixed Molded Rubber
GDPB3F2M	25 mm (1.0") BSP Female	Nozzle w/Slide Valve w/Pistol Grip	Selectable EN 100/235/400 l/min @ 6 bar	Tactile Indicator with Pattern Detent	Fixed Cut Metal
GDP3C3F2F	38 mm (1.5") BSP Female	Nozzle w/Slide Valve w/Pistol Grip	Selectable EN 100/235/400 l/min @ 6 bar	Tactile Indicator with Pattern Detent	Fixed Molded Rubber
GDP3C3F2S	38 mm (1.5") BSP Female	Nozzle w/Slide Valve w/Pistol Grip	Selectable EN 100/235/400 l/min @ 6 bar	Tactile Indicator with Pattern Detent	Spinning Metal
GDPG3E2M	50 mm (2.0") BSP Male	Nozzle w/Slide Valve w/Pistol Grip	Selectable EN 40/100/150/235 l/min @ 6 bar	Tactile Indicator with Pattern Detent	Fixed Cut Metal
GDPG3F2M	50 mm (2.0") BSP Male	Nozzle w/Slide Valve w/Pistol Grip	Selectable EN 100/235/400 l/min @ 6 bar	Tactile Indicator with Pattern Detent	Fixed Cut Metal
GDPG7E2M	50 mm (2.0") BSP Male	Impulse Nozzle with Trigger Flow Control	Selectable EN 40/100/150/235 l/min @ 6 bar	Tactile Indicator with Pattern Detent	Fixed Cut Metal
GDP3U3E2S	Articulated 25 mm (1.0") BSP Female	Nozzle w/Slide Valve w/Pistol Grip	Selectable EN 40/100/150/235 l/min @ 6 bar	Tactile Indicator with Pattern Detent	Spinning Metal
GDPV3F2S	Articulated 38 mm (1.5") BSP Female	Nozzle w/Slide Valve w/Pistol Grip	Selectable EN 100/235/400 l/min @ 6 bar	Tactile Indicator with Pattern Detent	Spinning Metal
<b>AUTOMATIC</b>					
GDP3C3N2S	38 mm (1.5") BSP Female	Nozzle w/Slide Valve w/Pistol Grip	Automatic EN 60-400 l/min @ 6 bar	Tactile Indicator with Pattern Detent	Spinning Metal
GDP3C3U2F	38 mm (1.5") BSP Female	Nozzle w/Slide Valve w/Pistol Grip	Automatic EN / Pulsing 235/ 400 l/min @ 6 bar, Automatic Override	Tactile Indicator with Pattern Detent	Fixed Molded Rubber
GDP3C3U2M	38 mm (1.5") BSP Female	Nozzle w/Slide Valve w/Pistol Grip	Automatic EN / Pulsing 235/ 400 l/min @ 6 bar, Automatic Override	Tactile Indicator with Pattern Detent	Fixed Cut Metal
GDP3C7N2M	38 mm (1.5") BSP Female	Impulse Nozzle with Trigger Flow Control	Automatic EN 60-400 l/min @ 6 bar	Tactile Indicator with Pattern Detent	Fixed Cut Metal
GDPG3U2M	50 mm (2.0") BSP Male	Nozzle w/Slide Valve w/Pistol Grip	Automatic EN / Pulsing 235/ 400 l/min @ 6 bar, Automatic Override	Tactile Indicator with Pattern Detent	Fixed Cut Metal
GDPW3U2M	Articulated 50 mm (2.0") BSP Male	Nozzle w/Slide Valve w/Pistol Grip	Automatic EN / Pulsing 235/ 400 l/min @ 6 bar, Automatic Override	Tactile Indicator with Pattern Detent	Fixed Cut Metal
<b>GDP SERIES EN 15182-4 PN 40/PULSING HIGH PRESSURE</b>					
<b>SELECTABLE</b>					
GDPB3E2SH	25 mm (1.0") BSP Female	Nozzle w/Slide Valve w/Pistol Grip	Selectable EN 100/150/235 l/min @ 6 bar	Tactile Indicator with Pattern Detent	Spinning Metal
GDPB7E2MH	25 mm (1.0") BSP Female	Impulse Nozzle with Trigger Flow Control	Selectable EN 100/150/235 l/min @ 6 bar	Tactile Indicator with Pattern Detent	Fixed Cut Metal
<b>AUTOMATIC</b>					
GDPB3U2MH	25 mm (1.0") BSP Female	Nozzle w/Slide Valve w/Pistol Grip	Automatic EN / Pulsing 235/ 400 l/min @ 6bar, Automatic Override	Tactile Indicator with Pattern Detent	Fixed Cut Metal
GDP3C3U2FH	38 mm (1.5") BSP Female	Nozzle w/Slide Valve w/Pistol Grip	Automatic EN / Pulsing 235/ 400 l/min @ 6bar, Automatic Override	Tactile Indicator with Pattern Detent	Fixed Molded Rubber

**G-FORCE® FOAM ATTACHMENTS**

**FOAMJET™**

Low and Multi-Expansion foam attachments are designed specifically to enhance foam application performance through the G-Force Series of fixed, selectable gallonage, and automatic nozzles.

Attachments are easily added or removed using a simple clamping mechanism that attaches to the nozzle's front bumper. Produced from lightweight polymers or rubber, both the low expansion and multi-expansion attachments are ideally suited for Class A and flammable liquid applications.

The multi-expansion attachment offers flexibility by allowing the user to independently achieve both increased reach and higher foam expansion ratios with the same tool in different stream settings. The low expansion attachment can be ideal for Class A and most Class B foam agents and allows for greater distance of reach for rapid fire knockdown from a safe distance.

**G-Force Foam attachments are compatible with most Class A and Class B Foams**



**Multi-Expansion**  
**FJ-UMX-G**  
**FJ-MX-G**



**Low Expansion**  
**FJ-LX-U-G**  
**FJ-LX-G**

	Low Expansion Long Tube	Multi-Expansion
1.0" G-Force	<b>FJ-LX-U-G</b>	<b>FJ-UMX-G</b>
1.5" G-Force	<b>FJ-LX-G</b>	<b>FJ-MX-G</b>



**FLIP TIP® NOZZLES**



**Flip Tip® Tip-Only**

The Tip-Only Model is an ideal choice for an addition to any ball valve shut off. Integrating your choice of two smoothbore combinations, the Flip Tip quickly and positively allows the initial attack team a choice of flows as well as outstanding stream performance.

- Lightweight and Compact Design
- Tips Easily Removed for Line Extension
- Multiple Smoothbore Choices Both Front and Rear

**Flip Tip® with Integrated Ball Shutoff**

Integrated with a high volume ball shutoff, the combination Flip Tip provides a single nozzle that offers a choice of hard hitting straight streams. The detent style ball shutoff allows positive operator control and the rugged durability of polymer handles and pistol grip.

- Optional Color Coded Pistol Grip and Valve Handle Covers at No Additional Charge
- High Volume Detent Valve for Maximum Performance
- Compact Integrated Design

**Flip Tip® with Integrated Ball Shutoff and G-Force Nozzle**

Integrated with a high volume ball shutoff and your choice of G-Force combination nozzle, the Flip Tip provides a single nozzle that offers both a hard hitting smoothbore and high performance combination nozzle. The detent style ball shutoff allows positive operator control, choice of 100 psi or low pressure 75 psi operation (7 or 5 bar), and fixed molded rubber, spinning metal, or fixed cut metal fog teeth.

- Choice of Fixed, Selectable, or Automatic Tip
- Integrated Combination Nozzle and Smoothbore Base
- Choice of Operational Pressures and Fog Tooth Designs
- Optional Color Coded Pistol Grip and Valve Handle Covers at No Additional Charge

**FLIP TIP® Performance Features**

**Front Tip Orifice Choice**

Flip Tip's front component accepts one of 7 different orifice choices. Providing flows from 50 up to 290 gpm (200 up to 1100 l/min), the tip can be easily removed allowing hose to be connected and extended. All tips have knurled swiveling couplings and a unique tapered waterway for maximum stream quality.



**Rear Tip Orifice Choice**

The rear component of the Flip Tip is available in 6 different orifice sizes and provides water flows starting at 150 gpm (570 l/min). All uniquely tapered tip inserts are designed to offer high performance water or compressed air foam streams, and are held securely in place during rugged initial attack operations.



**Stream Straightener**

To provide maximum stream performance, all 1.5" Flip Tip Models integrate a lightweight stream straightener directly into the rear coupling system.



For high rise operation, where debris can be an issue, or to maximize compressed air foam stream performance, the insert can be easily removed.

Our standard 2.5" Flip Tip models utilize an optimized waterway in place of this stream straightener. A special rear coupling system is available if a removable stream straightener is preferred.

**Pivot Lock Mechanism**

The Flip Tip can be quickly and securely changed from small tip to large tip during firefighting operations using a positive twist lock mechanism that prevents unintentional movement. The locking ring is easily rotated with a wet or foamy gloved hand.



**FLIP TIP® NOZZLES Domestic and International Features**



MODEL	INLET	STYLE	REAR TIP	FRONT TIP
<b>FTTF SERIES SMOOTH BORE x SMOOTH BORE</b>				
FTTF331	1.5" (38 mm) NH Female	Nozzle w/Slide Valve w/Pistol Grip	7/8" (22 mm)	1/2" (13 mm)
FTTF332	1.5" (38 mm) NH Female	Nozzle w/Slide Valve w/Pistol Grip	7/8" (22 mm)	5/8" (16 mm)
FTTF341	1.5" (38 mm) NH Female	Nozzle w/Slide Valve w/Pistol Grip	15/16" (24 mm)	1/2" (13 mm)

**FLIP TIP® NOZZLES DOMESTIC**

MODEL	INLET	STYLE	REAR TIP	PRESSURE CONTROL	SHAPER CONTROL	FOG TEETH
<b>FTGF SERIES SMOOTH BORE x G-FORCE</b>						
<b>SELECTABLE</b>						
FTGF33C1S	1.5" (38 mm) NH Female	Ball Valve w/Pistol Grip	7/8" (22 mm)	Selectable 30/60/95/125/150 gpm @ 100 psi (110/230/360/470/570 l/min @ 7 bar)	Fixed Tactile Indicator	Spinning Metal
FTGF33D1S	1.5" (38 mm) NH Female	Ball Valve w/Pistol Grip	7/8" (22 mm)	Selectable 30/60/95/125/150 gpm @ 75 psi (110/230/360/470/570 l/min @ 5 bar)	Fixed Tactile Indicator	Spinning Metal
<b>AUTOMATIC</b>						
FTGF23F1F	1.5" (38 mm) NH Female	Ball Valve	7/8" (22 mm)	Automatic 150 gpm @ 75 psi (570 l/min @ 5 bar)	Fixed Tactile Indicator	Fixed Molded Rubber
FTGF34E2F	1.5" (38 mm) NH Female	Ball Valve w/Pistol Grip	15/16" (24 mm)	Automatic 150 gpm @ 100 psi (570 l/min @ 7 bar)	Tactile Indicator with Pattern Detent	Fixed Molded Rubber
FTGF34F1F	1.5" (38 mm) NH Female	Ball Valve w/Pistol Grip	15/16" (24 mm)	Automatic 150 gpm @ 75 psi (570 l/min @ 5 bar)	Fixed Tactile Indicator	Fixed Molded Rubber

## PORTABLE MULTI-PURPOSE FOAM SYSTEM PRO/pak®

TFT's PRO/pak foam injection and application system is the ideal choice and works with most Class A and Class B foams.

Everything you need is contained in one package that attaches to the end of your 1.0" or 1.5" (25 or 38 mm) fire hose. The PRO/pak has a high impact 2.5 gal. (9.5 l) foam reservoir with a built-in eductor that can be set to the ratio of foam or wetting agents being used. A large, easy-open fill port has an indicator to show the type of liquid in the tank. Flow is controlled by a twist grip valve that also functions as a carrying handle.

With three different quick connect nozzles included, the PRO/pak system is capable of producing low or medium expansion finished foam, while operating at low inlet pressures.

- Rapid Suppression Foam System That Is Rugged, Compact and Lightweight
- Works with most Class A and Class B Foam Concentrates
- Inlet Pressures from 40 to 500 psi (3 to 34.5 bar), with a Nominal Flow of 12 gpm at 100 psi (45 l/min at 7 bar)



*Additional threads available upon request. Individual components can be purchased separately. A complete list of accessories is available online.*



<b>Model</b>	<b>Coupling</b>	<b>Thread</b>	<b>Units/Text</b>
<b>UM12</b>	1.0" (25 mm)	NH	US/English
<b>UM12-NF</b>	1.5" (38 mm)	NH (Angled Coupling)	US/English
<b>UM45-25MM</b>	25 mm (1.0")	Storz (Angled Coupling)	Metric/English
<b>UM45-BD</b>	1.0" (25 mm)	BSP	Metric/English
<b>UM45-SH</b>	52 mm (2.0")	Storz (Angled Coupling)	Metric/English
<b>UMP45-BD</b>	1.0" (25 mm)	BSP	Metric/Portuguese
<b>UMP45-SH</b>	52 mm (2.0")	Storz (Angled Coupling)	Metric/Portuguese
<b>UMS45-BD</b>	1.0" (25 mm)	BSP	Metric/Spanish
<b>UMS45-NF</b>	1.5" (38 mm)	NH (Angled Coupling)	Metric/Spanish
<b>UPG-45-BD</b>	1.0" (25 mm)	BSP	Metric/German
<b>UPI-45-BD</b>	1.0" (25 mm)	BSP	Metric/Italian
<b>PRO/pak Individual Components</b>			
<b>U-B</b>	PRO/pak Storage Bracket		
<b>U-PN12</b>	Piercing Nozzle 40" (102 cm)		
<b>U-HS</b>	Discharge Hose 2.7 ft (82cm)		
<b>U-HS12</b>	Discharge Hose 12 ft (3.7 m)		
<b>U-HS25</b>	Discharge Hose 25 ft (7.6 m)		



**PORTABLE LIGHTWEIGHT ATTACK MONITOR  
BLITZFORCE™**

**BlitzForce Lightweight Portable Attack Monitor**

The BlitzForce is one of Task Force Tips' innovative, lightweight, and highly versatile portable attack monitors. Rated up to 500 gpm (1,890 l/min), BlitzForce integrates a low loss waterway with positive locking valve control, and a corrosion resistant anodized and powder coat finish. An exclusive high strength tie-down strap and carbide tipped folding legs offer extreme stability in varying fire environments. With an integral stream shaper for superior reach and penetration performance, the BlitzForce delivers a 20° side to side (40° total) and a 20° to 60° up and down range of stream motion. A five year warranty, stainless steel apparatus mounting bracket, and your choice of combination nozzle or stacked tips are standard.

**Small, Lightweight and Compact Design**

Weighing just 14.5 lbs. (6.6 kg), the BlitzForce stores securely for a rapid deployment in a space of only 19" x 9" x 12", (48 x 23 x 30 cm) and a ground hugging 26" (66 cm) wide when deployed for initial attack.

**High Flow, Low Loss Waterway**

Full flow 2" (52 mm) waterway provides 500 gpm (1,890 l/min) initial attack flows with only 8 psi (0.5 bar) loss. A removable internal stream straightener is standard, and the valve design provides positive locking in the closed position.

**Optional Oscillation**

The BlitzForce OSC monitor features a water driven turbine that when engaged, allows the nozzle to automatically sweep 10°, 15°, or 20° either side of center. The simple to use oscillating mechanism can be disengaged allowing manual horizontal rotation.

**Maximum Stability in Harsh Conditions**

High strength folding aluminum alloy legs include replaceable carbide tip spikes and integrated nylon kneepads for maximum stability during operation. The BlitzForce also incorporates an exclusive, quickly deployed, high strength tie down strap to prevent unintentional monitor movement.

**High Performance Fire Streams Flexibility**

With horizontal rotation of 20° either side of center, and an elevation range 30° to 60° in unassisted mode, or a low 20° angle when assisted, the BlitzForce provides amazing operational versatility. Each monitor package comes with a choice of a combination nozzle, or triple stacked tips 1", 1 ¼", and 1.5" (25, 32, 38 mm) with laser engraved flow charts.

**Rugged Durability**

Each monitor is produced from hardcoat anodized aluminum alloy, stainless steel, and is powder coated for maximum corrosion and abrasion resistance. Permanent laser engraved operational instructions, reflective labeling, unique product serialization, and a stainless apparatus mounting bracket are all standard.



**BLITZFORCE™ Portable Monitor Packages**

BLITZFORCE PACKAGE MODEL	BLITZFORCE MONITOR	NOZZLE	ACCESSORY
XXLG-32-CN1	XXL171A-CN BLITZFORCE 80 MM CSF IN/2.5" NH OUT	ZN12A ZN NOZZLE 500 GPM @ 100 PSI 2.5"-7.5 NH	XXL-B STORAGE BRACKET - BLITZFORCE
XXLG-32-CN3	XXL121A-CN BLITZFORCE 2.5" BSPM IN/2.5" NHM OUT	ZN12A ZN NOZZLE 500 GPM @ 100 PSI 2.5"-7.5 NH	XXL-B STORAGE BRACKET - BLITZFORCE
XXLG-32-CN5	XXL161A-CN BLITZFORCE 75 MM STORZ IN/2.5" NHM OUT	ZN11A ZN NOZZLE 350 GPM @ 100 PSI 2.5"-7.5 NH	XXL-B STORAGE BRACKET - BLITZFORCE
XXLG-42-NH1	XXL111A BLITZFORCE 2.5" NH INLET and OUTLET	MST-3NJ 3 STACKED TIPS - 2.5" NHF	XXL-B STORAGE BRACKET - BLITZFORCE
XXLG-32-NH1	XXL111A BLITZFORCE 2.5" NH INLET and fOUTLET	ZN12A ZN NOZZLE 500 GPM @ 100 PSI 2.5"-7.5 NH	XXL-B STORAGE BRACKET - BLITZFORCE
XXLG-32-SL2	XXL161 BLITZFORCE 75 MM STORZ IN/2.5" NH OUT	ZN12A ZN NOZZLE 500 GPM @ 100 PSI 2.5"-7.5 NH	XXL-B STORAGE BRACKET - BLITZFORCE

**PORTABLE LIGHTWEIGHT OSCILLATING ATTACK MONITOR**

**BLITZFORCE™ Oscillating**



**BlitzForce Lightweight Portable Attack Monitor  
Optional Oscillation**

The BlitzForce OSC monitor has the same features as the standard BlitzForce monitor and includes a water driven turbine that when engaged, allows the nozzle to automatically sweep 10°, 15°, or 20° either side of center. The simple to use oscillating mechanism can be disengaged allowing manual horizontal rotation.

**BLITZFORCE™ OSC Portable Monitor Packages**

BLITZFORCE OSC PACKAGE MODEL	BLITZFORCE OSC MONITOR	NOZZLE	ACCESSORY
XXLC-33-BJ1	XXL212A BLITZFORCE OSCILLATOR 2.5" BSP IN/OUTLET	ZN22A ZN NOZZLE 2.5"-11 BSP	XXL-B STORAGE BRACKET - BLITZFORCE
XXLC-33-CN1	XXL271A-CN BLITZFORCE OSCILLATOR 80 MM CSF IN/2.5" NH OUTLET	ZN12A ZN NOZZLE 2.5"-7.5 NH	XXL-B STORAGE BRACKET - BLITZFORCE
XXLC-53-BJ1	XXL212A BLITZFORCE OSCILLATOR 2.5" BSP IN/OUTLET	MD22A MAX-FORCE TIP 2.5" BSPF	XXL-B STORAGE BRACKET - BLITZFORCE
XXLC-53-NH1	XXL211A BLITZFORCE OSCILLATOR 2.5" NH IN/OUTLET	MD12A MAX-FORCE TIP 2.5" NHF	XXL-B STORAGE BRACKET - BLITZFORCE

**LOW PROFILE BALL INTAKE VALVE™**

Providing maximum flow performance in an extremely compact package, this low profile intake/discharge ball style valve delivers incredible value for critical apparatus or industrial water supply operations. Lightweight aluminum alloy construction is hardcoated and powder coated for maximum corrosion resistance, even in the harshest fireground applications.

An integrated pressure relief valve offers operator selected pressure choices to provide protection to hose and pumping systems from unwanted pressure spikes. Unique ball style shutoff allows the valve to remain dry when closed. An air bleed valve permits unwanted air to escape simplifying water supply pumping operations.

- Compact lightweight design fits easily into tight pump panel configurations
- 5 Year warranty against corrosion
- Integrated adjustable pressure relief valve provides fast reacting high volume protection from water hammers in the hose lines
- Individually serialized for tracking and continued service and technical support
- Highly visible valve position indicator and slow close operation exceeds all standards requirements
- Flow efficient waterway has less than 5 psi (0.3 bar) loss at the rated 1250 gpm (4730 l/min) flow



**Dimensional Maximum**  
SAMPLE PART NUMBER

- **ABD3ST-NX**
- 16.0 lbs (7.3 kg)**
- 14.6" (37.1 cm) Height**
- 11.4" (29.0 cm) Width**
- 12.0" (30.5 cm) Depth**

		Hose Side Connection		
		4" (100 mm) Storz	5" (125 mm) Storz	6" (150 mm) NH Male
Pump Side NH Threads	Threads			
	6" (150 mm) Female Swivel Rocker Lug	<b>ABD3SP-NX</b>	<b>ABD3ST-NX</b>	<b>ABD8NX-NX</b>

**TRANSFORMER™ EV NOZZLE SYSTEM**

The EV (Electric Vehicle) kit is designed to make applying water to the underside of an electric vehicle easy for your crew. Each kit includes four 19" (.5 m) extension tubes and a distributor (cellar) nozzle with a wide, fully filled pattern that allows water to map across the battery compartment for effective cooling.

Reaching an overall length of more than 7' (2.2 meters) when fully assembled, the added extension tubes allow your crew to put space between themselves and the fire.

- 3 port junction block
- Distributor nozzle
- Four 19" (.5 meter) extension tubes
- Twist-grip shutoff valve
- Heavy-duty carrying bag with compartments



PA3-EV	Inlet
Includes: 3-port junction block with striking cap, distributor nozzle (also known as a Bresnan or cellar nozzle), 4 - 19" (.5 meter) extension tubes, Twist-grip shutoff valve, Heavy-duty carrying bag with compartments	1.5" (38 mm) NH Female



**PIERCING NOZZLE  
TRANSFORMER™ PA1**

The Transformer PA1 Piercing Nozzle System is designed to deliver water or foam solutions to areas inaccessible to the fire fighter. A series of jets near the point apply a wide reaching pattern at a rated flow of 150 gpm @ 100 psi (570 l/min @ 7 bar).

The PA1 system includes a unique twist-grip shutoff valve, a 3 port junction block with striking head, 2 extension tubes, and the flow tube with piercing point. The easy to use and rugged, twist-grip shutoff valve, regulates nozzle flow without the need for an additional shutoff valve.

The 3 port junction block and striking head allow the nozzle to be configured to short, medium, long and L shaped combinations, making it easily adaptable to specific fireground situations.

The PA1 system features a hardened steel piercing point, all extension tubes and valve are constructed of hardcoated extruded aluminum, and a sturdy nylon carrying bag with compartments for each component is included.



**PA1 SYSTEM**



PA1	Inlet
Includes: 2 - 19" (48 cm) Extension Tubes, 1 - 14" (36 cm) Flow Tube with Piercing Point, Twist-Grip Shutoff Valve, 3 Port Junction Block with Striking Head, and Nylon Carry Bag	1.5" (38 mm) NH Female
PA1-52MM	Inlet
Includes: 2 - 19" (48 cm) Extension Tubes, 1 - 14" (36 cm) Flow Tube with Piercing Point, Twist-Grip Shutoff Valve, 3 Port Junction Block with Striking Head, and Nylon Carry Bag	52 mm (2.0") Storz
PA1-CSF	Inlet
Includes: 2 - 19" (48 cm) Extension Tubes, 1 - 14" (36 cm) Flow Tube with Piercing Point, Twist-Grip Shutoff Valve, 3 Port Junction Block with Striking Head, and Nylon Carry Bag	65 mm (2.5") Chinese Snap Fit Inlet

**PIERCING NOZZLE  
TRANSFORMER™ PA2**

The Transformer PA2 Piercing Nozzle System is designed to deliver water or foam solutions to areas inaccessible to the fire fighter. A series of jets near the point apply a wide reaching pattern at a rated flow of 150 gpm @ 100 psi (570 l/min @ 7 bar).

The PA2 system includes a distribution nozzle rated at 150 gpm (570 l/min), that provides a wide fully filled pattern, and an adapter allowing the distributor nozzle to be used on any 1.5" (38 mm) NH threaded hoseline.

Also included is a unique twist-grip shutoff valve, a 3 port junction block with striking head, pistol grip, 2 extension tubes, and the flow tube with piercing point. The easy to use and

rugged, twist-grip shutoff valve, regulates nozzle flow without the need for an additional shutoff valve.

The 3 port junction block and striking head allow the nozzle to be configured to short, medium, long and L shaped combinations, making it easily adaptable to specific fireground situations.

The PA2 system features a hardened steel piercing point, an aluminum and stainless distribution nozzle, all extension tubes, pistol grip and valve are constructed of hardcoated extruded aluminum, and a sturdy nylon carrying bag with compartments for each component is included.



**PA2 SYSTEM**

PA2	Inlet
Includes: 2 - 19" (48 cm) Extension Tubes, 1 - 14" (36 cm) Flow Tube with Piercing Point, Twist-Grip Shutoff Valve, Pistol Grip, 3 Port Junction Block with Striking Head, Distribution Nozzle, Adapter, and Nylon Carry Bag	1.5" (38 mm) NH Female



**THE CHIMNEY SNUFFER™**

The Chimney Snuffer quickly and safely suppresses chimney fires using an ultra-fine spray, greatly reducing potential water damage. The durable 5 pound (2.3 kg) nozzle head is simply operated by a single firefighter and easily breaks through potential blockages within the chimney.

Eight strategically placed nozzles provide 40 gallons (150 liters) per hour at 60 psi (4 bar), allowing the Chimney Snuffer to be supplied by an attack line, 1.0" (25 mm) line, or even a garden hose. The entire package weighs less than 15 pounds (6.8 kg) and is easily stored in an apparatus compartment. The Chimney Snuffer Nozzle head and garden hose adapter can be purchased separately.

- Package Includes Nozzle Head, Burn Resistant Rubber Hose, 1" (25 mm) Ball Style Shut Off, 1.5" x 1" (38 x 25 mm) Adapter and a 3/4" x 1.0" (19 mm x 25 mm) Garden Hose Adapter
- Compact, Lightweight and Simple to Deploy
- Ideal for Use in ALL Types of Chimney Liners (Metal, Masonry or Ceramic)
- Head Easily Breaks Through Creosote Buildup, Nests or Other Debris



**A3830**  
 Nozzle Head, Rubber Hose, 1.0" (25 mm) Ball Shutoff, 1.5" x 1" (38 x 25 mm) Adapter, and 3/4" (19 mm) Garden Hose Adapter

**A3831**  
 Nozzle Head, and 3/4" (19 mm) Garden Hose Adapter





# ADAPTERS

Going from 2.5" to 1.5" hose, attaching a 5" storz to a 2.5" discharge, adapting to equipment with a different threaded connection that is standard to a mutual aid company. These are all common challenges in the fire service that require the use of adapters to make the right connections and get the job done. With so many specific city threads and a full range of storz sizes, we offer a full range of adapters that are durable, properly marked with the needed thread information, and backed by our customer service support team. Hard coat anodized to military specifications for maximum corrosion resistance, all of our adapters are designed, manufactured, built, and tested at our headquarters.



THREAD CHARTS

The following charts list many commonly used threads. Task Force Tips manufactures products with any thread required. Call Task Force Tips customer service for assistance with any special thread code needed.

NATIONAL STANDARD (NH or NST)			STRAIGHT IRON PIPE (NPSH, IPT, or SIPT)			TAPERED PIPE (NPT, TPT, or TIPT)		BRITISH STANDARD PIPE (BSP)			GARDEN HOSE (GHT)			
	ODM	TFT CODE		ODM	TFT CODE		TFT CODE		ODM	TFT CODE		ODM	TPI	TFT CODE
1.0-8 NH	1.375	ND	1.0-11.5 NPSH	1.295	ID	1.0" NPT	TD	1.0-11 BSP	1.309	BD	3/4-11.5 NH	1.062	11.5	GHT
1.5-9 NH	1.990	NF	1.5-11.5 NPSH	1.878	IF	1.5" NPT	TF	1.5-11 BSP	1.882	BF	NEW YORK CORP (NYC)			
			2.0-11.5 NPSH	2.352	IH	2.0" NPT	TH	2.0-11 BSP	2.347	BH	Size	ODM	TPI	TFT CODE
2.5-7.5 NH	3.069	NJ	2.5-8 NPSH	2.843	IJ	2.5" NPT	TJ	2.5-11 BSP	2.960	BJ	1.5"	2.093	11	Q
3.0-6 NH	3.624	NL	3.0-8 NPSH	3.470	IL	3.0" NPT	TL	3.0-11 BSP	3.480	BL	2.5"	3.000	8	J
3.5-6 NH	4.244	NN	3.5-8 NPSH	3.970	IN	3.5" NPT	TN	3.5-11 BSP	3.950	BN	NEW YORK CITY (FDNY)			
4.0-4 NH	5.000	NP	4.0-8 NPSH	4.470	IP	4.0" NPT	TP	4.0-11 BSP	4.450	BP	Size	ODM	TPI	TFT CODE
4.5-4 NH	5.761	NR	4.5-8 NPSH	4.970	IR			4.5-11 BSP	4.950	BR	1.5"	2.100	8	U
5.0-4 NH	6.260	NT	5.0-8 NPSH	5.524	IT	5.0" NPT	TT	5.0-11 BSP	5.450	BT	2.5"	3.030	8	L
6.0-4 NH	7.025	NX	6.0-8 NPSH	6.581	IX	6.0" NPT	TX	6.0-11 BSP	6.450	BX	PACIFIC COAST (PCT)			

Standard threads for TFT are National Standard (NH or NST), Straight Iron Pipe (NPSH, IPT or SIPT), Garden Hose (GHT), British Standard Pipe (BSP), and Tapered Iron Pipe (NPT, TPT or TIPT).

OTHER US 2.5" THREADS			
CITY	ODM	TPI	TFT CODE
Buffalo, NY	3.0570	8	C
Cincinnati, OH	3.0580	6	M
Cleveland, OH	3.0781	8	CP
Denver, CO	3.0920	8	CM
Detroit, MI	3.1250	7.5	A
Omaha, NE	3.0781	8	CP
Phoenix, AZ	3.0620	6	M
Pittsburgh, PA	3.0625	6	M
Salt Lake City, UT	3.2500	6	G
Toledo, OH	3.0000	8	AI

OTHER CANADIAN 2.5" THREADS			
CITY	ODM	TPI	TFT CODE
Alberta Mutual Aid (AMA)	2.990	8	AMA
British Columbia (BCT)	3.0000	8	J
Canadian Standards Assoc. (CSA)	3.1250	5	AT
Province of Quebec Std. (QST)	3.0310	7	AR
Western Canada Fire Under (WCT)	3.2500	6	G
Nova Scotia - Zone 1 (NOVA)	3.2340	5	CE
Quebec Montreal Combination (QMT)	3.0310	7	AR

Size	ODM	TPI	TFT CODE
1.5"	2.100	11	Q
2.5"	3.035	7.5	AU

CHICAGO HOSE			
Size	ODM	TPI	TFT CODE
1.5"	1.946	11.5	AB
2.5"	3.043	7	W

CHICAGO FIRE DEPARTMENT (CFD)			
Size	ODM	TPI	TFT CODE
1.5"	1.933	11.5	AB
2.5"	2.990	7.5	P
4.5"	5.761	4	NR

DETERMINING THREAD DIMENSIONS

How to determine your thread dimensions if Leaf Thread Gage and O.D. Tape are not available.

- 1) Cut a strip of paper about 1" wide and long enough to completely encircle the male thread.
- 2) Wrap this paper snugly around the male thread making sure it is against the shoulder all the way around. Pierce the paper with a pin at some point where the paper overlaps. (Figure 1)
- 3) Using your thumb, press firmly against the threads round the entire circumference to leave an impression of the thread. This impression in the paper is used to determine the threads per inch. (Figure 2)
- 4) Remove the paper strip and circle pin holes with pencil.
- 5) The distance between the pin holes divided by 3.1416 equals the ODM (outside diameter of the male).
- 6) The impressions on the paper give the number of threads per inch (TPI) Both the ODM and TPI are needed. (Figure 3)
- 7) You may use the same method to determine the outside diameter (OD) of a hose.

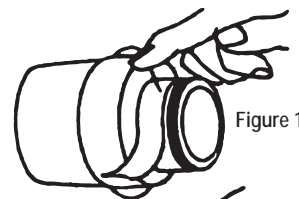


Figure 1

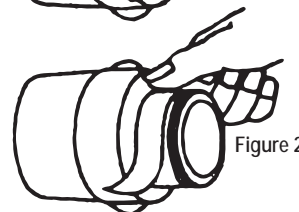


Figure 2

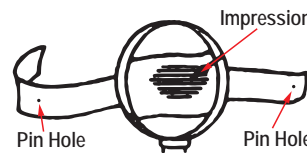


Figure 3

**Note:** Do not measure a badly worn thread. If only a worn thread is available, send the male fitting to TFT for an accurate determination of the thread dimensions. Both the ODM and the TPI are needed for ordering purposes. Unified thread form supplied unless otherwise specified.

**ADAPTERS - AA Series, Threaded**

TFT AA series threaded adapters are designed for pressure or vacuum service on a hydrant, pumper or on the ground. Their maximum operating pressure is 300 psi (20 bar) and they are compliant to NFPA 1964 2018 edition which dictates a 900 psi (62 bar) hydrostatic strength test. The aluminum parts are hardcoat anodized per MIL-A-8625F Type III, Class 2

for maximum corrosion protection. Adapters are permanently marked with the thread size and TPI per NFPA. 2.5" and smaller swivel connections use stainless steel ball bearings, not piston rings, to ensure longevity and easy serviceability. 3.0" and larger connections use polymer bearing rings which provide electrical isolation to help prevent galvanic corrosion.

**STYLE 53R AA10 SERIES - Swivel Rocker Lug to Rigid Rocker Lug**



PART NO	DESCRIPTION	ADDITIONAL DESCRIPTION
AA10IF-TH	ADAPTER 1.5"NPSHF X 2.0"NPTF	SWIVEL ROCKER LUG TO RIGID ROCKER LUG
AA10NF-TH	ADAPTER 1.5"NHF X 2.0"NPTF	SWIVEL ROCKER LUG TO RIGID ROCKER LUG
AA10NJ-TH	ADAPTER 2.5"NHF X 2.0"NPTF	SWIVEL ROCKER LUG TO RIGID ROCKER LUG

**STYLE 57L AA7H SERIES - Swivel Female Handle to Swivel Female Handle**



PART NO	DESCRIPTION	ADDITIONAL DESCRIPTION
AA7HNX-IP	ADAPTER 6.0"NHF X 4.0"NPSHF	SWIVEL FEMALE HANDLE - BOTH ENDS
AA7HNX-NP	ADAPTER 6.0"NHF X 4.0"NHF	SWIVEL FEMALE HANDLE - BOTH ENDS
AA7HNX-NR	ADAPTER 6.0"NHF X 4.5"NHF	SWIVEL FEMALE HANDLE - BOTH ENDS
AA7HNX-NT	ADAPTER 6.0"NHF X 5.0"NHF	SWIVEL FEMALE HANDLE - BOTH ENDS
AA7HNX-NX	ADAPTER 6.0"NHF X 6.0"NHF	SWIVEL FEMALE HANDLE - BOTH ENDS

**STYLE 35R AA7 SERIES - Swivel Female Rocker Lug to Swivel Female Rocker Lug**



PART NO	DESCRIPTION	ADDITIONAL DESCRIPTION
AA7ID-ID	ADAPTER 1.0"NPSHF X 1.0"NPSHF	SWIVEL ROCKER LUG TO SWIVEL ROCKER LUG
AA7ND-ND	ADAPTER 1.0"NHF X 1.0"NHF	SWIVEL ROCKER LUG TO SWIVEL ROCKER LUG
AA7BF-BF	ADAPTER 1.5"BSPF X 1.5"BSPF	SWIVEL ROCKER LUG TO SWIVEL ROCKER LUG
AA7IF-IF	ADAPTER 1.5"NPSHF X 1.5"NPSHF	SWIVEL ROCKER LUG TO SWIVEL ROCKER LUG
AA7NF-IF	ADAPTER 1.5"NHF X 1.5"NPSHF	SWIVEL ROCKER LUG TO SWIVEL ROCKER LUG
AA7NF-NF	ADAPTER 1.5"NHF X 1.5"NHF	SWIVEL ROCKER LUG TO SWIVEL ROCKER LUG
AA7IJ-IF	ADAPTER 2.5"NPSHF X 1.5"NPSHF	SWIVEL ROCKER LUG TO SWIVEL ROCKER LUG
AA7NJ-IF	ADAPTER 2.5"NHF X 1.5"NPSHF	SWIVEL ROCKER LUG TO SWIVEL ROCKER LUG
AA7NJ-NF	ADAPTER 2.5"NHF X 1.5"NHF	SWIVEL ROCKER LUG TO SWIVEL ROCKER LUG
AA7BJ-BJ	ADAPTER 2.5"BSPF X 2.5"BSPF	SWIVEL ROCKER LUG TO SWIVEL ROCKER LUG
AA7NJ-BJ	ADAPTER 2.5"NHF X 2.5"BSPF	SWIVEL ROCKER LUG TO SWIVEL ROCKER LUG
AA7NJ-IJ	ADAPTER 2.5"NHF X 2.5"NPSHF	SWIVEL ROCKER LUG TO SWIVEL ROCKER LUG
AA7NJ-NJ	ADAPTER 2.5"NHF X 2.5"NHF	SWIVEL ROCKER LUG TO SWIVEL ROCKER LUG
AA7NJ-TJ	ADAPTER 2.5"NHF X 2.5"NPTF	SWIVEL ROCKER LUG TO SWIVEL ROCKER LUG

Continued On Next Page

**STYLE 35R AA7 SERIES - Swivel Female Rocker Lug to Swivel Female Rocker Lug**

PART NO	DESCRIPTION	ADDITIONAL DESCRIPTION
AA7IL-NJ	ADAPTER 3.0"NPSH X 2.5"NHF	SWIVEL ROCKER LUG TO SWIVEL ROCKER LUG
AA7NL-NJ	ADAPTER 3.0"NHF X 2.5"NHF	SWIVEL ROCKER LUG TO SWIVEL ROCKER LUG
AA7TL-NJ	ADAPTER 3.0"NPTF X 2.5"NHF	SWIVEL ROCKER LUG TO SWIVEL ROCKER LUG
AA7NP-NJ	ADAPTER 4.0"NHF X 2.5"NHF	SWIVEL ROCKER LUG TO SWIVEL ROCKER LUG
AA7TP-NJ	ADAPTER 4.0"NPTF X 2.5"NHF	SWIVEL ROCKER LUG TO SWIVEL ROCKER LUG
AA7NP-NL	ADAPTER 4.0"NHF X 3.0"NHF	SWIVEL ROCKER LUG TO SWIVEL ROCKER LUG
AA7NP-NP	ADAPTER 4.0"NHF X 4.0"NHF	SWIVEL ROCKER LUG TO SWIVEL ROCKER LUG
AA7NP-TP	ADAPTER 4.0"NHF X 4.0"NPTF	SWIVEL ROCKER LUG TO SWIVEL ROCKER LUG
AA7NR-NP	ADAPTER 4.5"NHF X 4.0"NHF	SWIVEL ROCKER LUG TO SWIVEL ROCKER LUG
AA7NX-NP	ADAPTER 6.0"NHF X 4.0"NHF	SWIVEL ROCKER LUG TO SWIVEL ROCKER LUG
AA7NX-NX	ADAPTER 6.0"NHF X 6.0"NHF	SWIVEL ROCKER LUG TO SWIVEL ROCKER LUG

**STYLE 37R AA5 SERIES - Rigid Female Rocker Lug to Rigid Male**

PART NO	DESCRIPTION	ADDITIONAL DESCRIPTION
AA5GHT-ND	ADAPTER .75"GHTF X 1.0"NHM	RIGID FEMALE ROCKER LUG TO RIGID MALE
AA5ID-GHT	ADAPTER 1.0"NPSHF X .75"GHTM	RIGID FEMALE ROCKER LUG TO RIGID MALE
AA5ND-GHT	ADAPTER 1.0"NHF X .75"GHTM	RIGID FEMALE ROCKER LUG TO RIGID MALE
AA5ID-ND	ADAPTER 1.0"NPSHF X 1.0"NHM	RIGID FEMALE ROCKER LUG TO RIGID MALE
AA5ID-TD	ADAPTER 1.0"NPSHF X 1.0"NPTM	RIGID FEMALE ROCKER LUG TO RIGID MALE
AA5ND-ID	ADAPTER 1.0"NHF X 1.0"NPSHM	RIGID FEMALE ROCKER LUG TO RIGID MALE
AA5ND-BD	ADAPTER 1.0"NHF X 1.0"BSPM	RIGID FEMALE ROCKER LUG TO RIGID MALE
AA5TD-ID	ADAPTER 1.0"NPTF X 1.0"NPSHM	RIGID FEMALE ROCKER LUG TO RIGID MALE
AA5TD-ND	ADAPTER 1.0"NPTF X 1.0"NHM	RIGID FEMALE ROCKER LUG TO RIGID MALE
AA5ID-IF	ADAPTER 1.0"NPSHF X 1.5"NPSHM	RIGID FEMALE ROCKER LUG TO RIGID MALE
AA5ID-NF	ADAPTER 1.0"NPSHF X 1.5"NHM	RIGID FEMALE ROCKER LUG TO RIGID MALE
AA5ND-NF	ADAPTER 1.0"NHF X 1.5"NHM	RIGID FEMALE ROCKER LUG TO RIGID MALE
AA5TD-NF	ADAPTER 1.0"NPTF X 1.5"NHM	RIGID FEMALE ROCKER LUG TO RIGID MALE
AA5IF-GHT	ADAPTER 1.5"NPSHF X .75"GHTM	RIGID FEMALE ROCKER LUG TO RIGID MALE
AA5NF-GHT	ADAPTER 1.5"NHF X .75"GHTM	RIGID FEMALE ROCKER LUG TO RIGID MALE
AA5BF-ND	ADAPTER 1.5"BSPF X 1.0"NHM	RIGID FEMALE ROCKER LUG TO RIGID MALE
AA5IF-ID	ADAPTER 1.5"NPSHF X 1.0"NPSHM	RIGID FEMALE ROCKER LUG TO RIGID MALE
AA5NF-ID	ADAPTER 1.5"NHF X 1.0"NPSHM	RIGID FEMALE ROCKER LUG TO RIGID MALE
AA5IF-ND	ADAPTER 1.5"NPSHF X 1.0"NHM	RIGID FEMALE ROCKER LUG TO RIGID MALE
AA5NF-ND	ADAPTER 1.5"NHF X 1.0"NHM	RIGID FEMALE ROCKER LUG TO RIGID MALE
AA5BF-NF	ADAPTER 1.5"BSPF X 1.5"NHM	RIGID FEMALE ROCKER LUG TO RIGID MALE
AA5IF-NF	ADAPTER 1.5"NPSHF X 1.5"NHM	RIGID FEMALE ROCKER LUG TO RIGID MALE

Continued On Next Page

## STYLE 37R AA5 SERIES - Rigid Female Rocker Lug to Rigid Male



PART NO	DESCRIPTION	ADDITIONAL DESCRIPTION
AA5IF-TF	ADAPTER 1.5"NPSHF X 1.5"NPTM	RIGID FEMALE ROCKER LUG TO RIGID MALE
AA5NF-IF	ADAPTER 1.5"NHF X 1.5"NPSHM	RIGID FEMALE ROCKER LUG TO RIGID MALE
AA5NF-TF	ADAPTER 1.5"NHF X 1.5"NPTM	RIGID FEMALE ROCKER LUG TO RIGID MALE
AA5TF-IF	ADAPTER 1.5"NPTF X 1.5"NPSHM	RIGID FEMALE ROCKER LUG TO RIGID MALE
AA5TF-NF	ADAPTER 1.5"NPTF X 1.5"NHM	RIGID FEMALE ROCKER LUG TO RIGID MALE
AA5IF-NJ	ADAPTER 1.5"NPSHF X 2.5"NHM	RIGID FEMALE ROCKER LUG TO RIGID MALE
AA5NF-BJ	ADAPTER 1.5"NHF X 2.5"BSPM	RIGID FEMALE ROCKER LUG TO RIGID MALE
AA5NF-NJ	ADAPTER 1.5"NHF X 2.5"NHM	RIGID FEMALE ROCKER LUG TO RIGID MALE
AA5TH-IF	ADAPTER 2.0"NPTF X 1.5"NPSHM	RIGID FEMALE ROCKER LUG TO RIGID MALE
AA5TH-NF	ADAPTER 2.0"NPTF X 1.5"NHM	RIGID FEMALE ROCKER LUG TO RIGID MALE
AA5TH-TF	ADAPTER 2.0"NPTF X 1.5"NPTM	RIGID FEMALE ROCKER LUG TO RIGID MALE
AA5IH-NF	ADAPTER 2.0"NPSHF X 1.5"NHM	RIGID FEMALE ROCKER LUG TO RIGID MALE
AA5TH-NJ	ADAPTER 2.0"NPTF X 2.5"NHM	RIGID FEMALE ROCKER LUG TO RIGID MALE
AA5TH-TJ	ADAPTER 2.0"NPTF X 2.5"NPTM	RIGID FEMALE ROCKER LUG TO RIGID MALE
AA5NJ-GHT	ADAPTER 2.5"NHF X .75"GHTM	RIGID FEMALE ROCKER LUG TO RIGID MALE
AA5NJ-ND	ADAPTER 2.5"NHF X 1.0"NHM	RIGID FEMALE ROCKER LUG TO RIGID MALE
AA5NJ-TD	ADAPTER 2.5"NHF X 1.0"NPTM	RIGID FEMALE ROCKER LUG TO RIGID MALE
AA5BJ-NF	ADAPTER 2.5"BSPF X 1.5"NHM	RIGID FEMALE ROCKER LUG TO RIGID MALE
AA5IJ-IF	ADAPTER 2.5"NPSHF X 1.5"NPSHM	RIGID FEMALE ROCKER LUG TO RIGID MALE
AA5IJ-TF	ADAPTER 2.5"NPSHF X 1.5"NPTM	RIGID FEMALE ROCKER LUG TO RIGID MALE
AA5NJ-IF	ADAPTER 2.5"NHF X 1.5"NPSHM	RIGID FEMALE ROCKER LUG TO RIGID MALE
AA5NJ-NF	ADAPTER 2.5"NHF X 1.5"NHM	RIGID FEMALE ROCKER LUG TO RIGID MALE
AA5NJ-TF	ADAPTER 2.5"NHF X 1.5"NPTM	RIGID FEMALE ROCKER LUG TO RIGID MALE
AA5TJ-IF	ADAPTER 2.5"NPTF X 1.5"NPSHM	RIGID FEMALE ROCKER LUG TO RIGID MALE
AA5NJ-TH	ADAPTER 2.5"NHF X 2.0"NPTM	RIGID FEMALE ROCKER LUG TO RIGID MALE
AA5BJ-NJ	ADAPTER 2.5"BSPF X 2.5"NHM	RIGID FEMALE ROCKER LUG TO RIGID MALE
AA5IJ-NJ	ADAPTER 2.5"NPSHF X 2.5"NHM	RIGID FEMALE ROCKER LUG TO RIGID MALE
AA5NJ-IJ	ADAPTER 2.5"NHF X 2.5"NPSHM	RIGID FEMALE ROCKER LUG TO RIGID MALE
AA5NJ-TJ	ADAPTER 2.5"NHF X 2.5"NPTM	RIGID FEMALE ROCKER LUG TO RIGID MALE
AA5TJ-NJ	ADAPTER 2.5"NPTF X 2.5"NHM	RIGID FEMALE ROCKER LUG TO RIGID MALE
AA5NJ-NL	ADAPTER 2.5"NHF X 3.0"NHM	RIGID FEMALE ROCKER LUG TO RIGID MALE
AA5NJ-TL	ADAPTER 2.5"NHF X 3.0"NPTM	RIGID FEMALE ROCKER LUG TO RIGID MALE
AA5NJ-NR	ADAPTER 2.5"NHF X 4.5"NHM	RIGID FEMALE ROCKER LUG TO RIGID MALE
AA5IJ-IX	ADAPTER 2.5"NPSHF X 6.0"NPSHM	RIGID FEMALE ROCKER LUG TO RIGID MALE
AA5IL-NJ	ADAPTER 3.0"NPSHF X 2.5"NHM	RIGID FEMALE ROCKER LUG TO RIGID MALE
Continued On Next Page		

**STYLE 37R AA5 SERIES - Rigid Female Rocker Lug to Rigid Male**

PART NO	DESCRIPTION	ADDITIONAL DESCRIPTION
AA5NL-NJ	ADAPTER 3.0"NHF X 2.5"NHM	RIGID FEMALE ROCKER LUG TO RIGID MALE
AA5TL-NJ	ADAPTER 3.0"NPTF X 2.5"NHM	RIGID FEMALE ROCKER LUG TO RIGID MALE
AA5TL-TJ	ADAPTER 3.0"NPTF X 2.5"NPTM	RIGID FEMALE ROCKER LUG TO RIGID MALE
AA5IL-NP	ADAPTER 3.0"NPSHF X 4.0"NHM	RIGID FEMALE ROCKER LUG TO RIGID MALE
AA5IL-IX	ADAPTER 3.0" NPSHF X 6.0"NPSHM	RIGID FEMALE ROCKER LUG TO RIGID MALE
AA5NN-NJ	ADAPTER 3.5"NHF X 2.5"NHM	RIGID FEMALE ROCKER LUG TO RIGID MALE
AA5NP-NJ	ADAPTER 4.0"NHF X 2.5"NHM	RIGID FEMALE ROCKER LUG TO RIGID MALE
AA5NP-TJ	ADAPTER 4.0"NHF X 2.5"NPTM	RIGID FEMALE ROCKER LUG TO RIGID MALE
AA5IP-NJ	ADAPTER 4.0"NPSHF X 2.5"NHM	RIGID FEMALE ROCKER LUG TO RIGID MALE
AA5TP-NJ	ADAPTER 4.0"NPTF X 2.5"NHM	RIGID FEMALE ROCKER LUG TO RIGID MALE
AA5NP-NP	ADAPTER 4.0"NHF X 4.0"NHM	RIGID FEMALE ROCKER LUG TO RIGID MALE
AA5NP-TP	ADAPTER 4.0"NHF X 4.0"NPTM	RIGID FEMALE ROCKER LUG TO RIGID MALE
AA5BP-BP	ADAPTER 4.0"BSPF X 4.0"BSPM	RIGID FEMALE ROCKER LUG TO RIGID MALE
AA5IP-NP	ADAPTER 4.0"NPSHF X 4.0"NHM	RIGID FEMALE ROCKER LUG TO RIGID MALE
AA5TP-NP	ADAPTER 4.0"NPTF X 4.0"NHM	RIGID FEMALE ROCKER LUG TO RIGID MALE
AA5NP-NR	ADAPTER 4.0"NHF X 4.5"NHM	RIGID FEMALE ROCKER LUG TO RIGID MALE
AA5TP-NR	ADAPTER 4.0"NPTF X 4.5"NHM	RIGID FEMALE ROCKER LUG TO RIGID MALE
AA5NP-NT	ADAPTER 4.0"NHF X 5.0"NHM	RIGID FEMALE ROCKER LUG TO RIGID MALE
AA5TP-NT	ADAPTER 4.0"NPTF X 5.0"NHM	RIGID FEMALE ROCKER LUG TO RIGID MALE
AA5IP-NX	ADAPTER 4.0"NPSHF X 6.0"NHM	RIGID FEMALE ROCKER LUG TO RIGID MALE
AA5NP-NX	ADAPTER 4.0"NHF X 6.0"NHM	RIGID FEMALE ROCKER LUG TO RIGID MALE
AA5NR-NJ	ADAPTER 4.5"NHF X 2.5"NHM	RIGID FEMALE ROCKER LUG TO RIGID MALE
AA5NR-NP	ADAPTER 4.5"NHF X 4.0"NHM	RIGID FEMALE ROCKER LUG TO RIGID MALE
AA5NR-TP	ADAPTER 4.5"NHF X 4.0"NPTM	RIGID FEMALE ROCKER LUG TO RIGID MALE
AA5NR-NT	ADAPTER 4.5"NHF X 5.0"NHM	RIGID FEMALE ROCKER LUG TO RIGID MALE
AA5IR-NT	ADAPTER 4.5"NPSHF X 5.0"NHM	RIGID FEMALE ROCKER LUG TO RIGID MALE
AA5NR-NX	ADAPTER 4.5"NHF X 6.0"NHM	RIGID FEMALE ROCKER LUG TO RIGID MALE
AA5NT-NX	ADAPTER 5.0"NHF X 6.0"NHM	RIGID FEMALE ROCKER LUG TO RIGID MALE
AA5TT-NX	ADAPTER 5.0"NPTF X 6.0"NHM	RIGID FEMALE ROCKER LUG TO RIGID MALE
AA5NX-NP	ADAPTER 6.0"NHF X 4.0"NHM	RIGID FEMALE ROCKER LUG TO RIGID MALE
AA5NX-NR	ADAPTER 6.0"NHF X 4.5"NHM	RIGID FEMALE ROCKER LUG TO RIGID MALE
AA5NX-NT	ADAPTER 6.0"NHF X 5.0"NHM	RIGID FEMALE ROCKER LUG TO RIGID MALE
AA5TX-NT	ADAPTER 6.0"NPTF X 5.0"NHM	RIGID FEMALE ROCKER LUG TO RIGID MALE
AA5NX-NX	ADAPTER 6.0"NHF X 6.0"NHM	RIGID FEMALE ROCKER LUG TO RIGID MALE

**STYLE 56L AA5H SERIES - Rigid Female Handle to Rigid Male**

PART NO	DESCRIPTION	ADDITIONAL DESCRIPTION
AA5HNP-NJ	ADAPTER 4.0"NHF X 2.5"NHM	RIGID FEMALE HANDLE TO RIGID MALE
AA5HNP-NR	ADAPTER 4.0"NHF X 4.5"NHM	RIGID FEMALE HANDLE TO RIGID MALE
AA5HTP-NR	ADAPTER 4.0"NPTF X 4.5"NHM	RIGID FEMALE HANDLE TO RIGID MALE
AA5HNR-NX	ADAPTER 4.5"NHF X 6.0"NHM	RIGID FEMALE HANDLE TO RIGID MALE
AA5HNT-NX	ADAPTER 5.0"NHF X 6.0"NHM	RIGID FEMALE HANDLE TO RIGID MALE
AA5HNX-NJ	ADAPTER 6.0"NHF X 2.5"NHM	RIGID FEMALE HANDLE TO RIGID MALE
AA5HNX-IP	ADAPTER 6.0"NHF X 4.0"NPSHM	RIGID FEMALE HANDLE TO RIGID MALE
AA5HNX-NR	ADAPTER 6.0"NHF X 4.5"NHM	RIGID FEMALE HANDLE TO RIGID MALE
AA5HIX-NT	ADAPTER 6.0"NPSHF X 5.0"NHM	RIGID FEMALE HANDLE TO RIGID MALE
AA5HNX-NT	ADAPTER 6.0"NHF X 5.0"NHM	RIGID FEMALE HANDLE TO RIGID MALE
AA5HNX-TX	ADAPTER 6.0"NHF X 6.0"NPTM	RIGID FEMALE HANDLE TO RIGID MALE

**STYLE 54R AA11 SERIES - Swivel Rocker Lug to Rigid Male**

PART NO	DESCRIPTION	ADDITIONAL DESCRIPTION
AA11NF-TF	ADAPTER 1.5"NHF X 1.5"NPTM	SWIVEL FEMALE ROCKER LUG TO RIGID MALE
AA11IF-TF	ADAPTER 1.5"NPSHF X 1.5"NPTM	SWIVEL FEMALE ROCKER LUG TO RIGID MALE
AA11NF-TH	ADAPTER 1.5"NHF X 2.0"NPTM	SWIVEL FEMALE ROCKER LUG TO RIGID MALE
AA11NF-NJ	ADAPTER 1.5"NHF X 2.5"NHM	SWIVEL FEMALE ROCKER LUG TO RIGID MALE
AA11IH-TH	ADAPTER 2.0"NPSHF X 2.0"NPTM	SWIVEL FEMALE ROCKER LUG TO RIGID MALE
AA11NJ-NF	ADAPTER 2.5"NHF X 1.5"NHM	SWIVEL FEMALE ROCKER LUG TO RIGID MALE
AA11NJ-TJ	ADAPTER 2.5"NHF X 2.5"NPTM	SWIVEL FEMALE ROCKER LUG TO RIGID MALE
AA11TJ-NJ	ADAPTER 2.5"NPTF X 2.5"NHM	SWIVEL FEMALE ROCKER LUG TO RIGID MALE
AA11NJ-NL	ADAPTER 2.5"NHF X 3.0"NHM	SWIVEL FEMALE ROCKER LUG TO RIGID MALE
AA11NJ-TL	ADAPTER 2.5"NHF X 3.0"NPTM	SWIVEL FEMALE ROCKER LUG TO RIGID MALE
AA11NJ-TP	ADAPTER 2.5"NHF X 4.0"NPTM	SWIVEL FEMALE ROCKER LUG TO RIGID MALE

**STYLE 54L AA11H SERIES - Swivel Female Handle to Rigid Male**



PART NO	DESCRIPTION	ADDITIONAL DESCRIPTION
AA11HNX-TX	ADAPTER 6.0"NHF X 6.0"NPTM	SWIVEL FEMALE HANDLE TO RIGID MALE

**STYLE 36R AA6 SERIES - Rigid Male Rocker Lug to Rigid Male Rocker Lug**



PART NO	DESCRIPTION	ADDITIONAL DESCRIPTION
AA6BD-BD	ADAPTER 1.0"BSPM X 1.0"BSPM	RIGID MALE TO RIGID MALE
AA6ID-ID	ADAPTER 1.0"NPSHM X 1.0"NPSHM	RIGID MALE TO RIGID MALE
AA6ND-BD	ADAPTER 1.0"NHM X 1.0"BSPM	RIGID MALE TO RIGID MALE
AA6ND-ND	ADAPTER 1.0"NHM X 1.0"NHM	RIGID MALE TO RIGID MALE
AA6TD-ND	ADAPTER 1.0"NPTM X 1.0"NHM	RIGID MALE TO RIGID MALE
AA6IF-IF	ADAPTER 1.5"NPSHM X 1.5"NPSHM	RIGID MALE TO RIGID MALE
AA6IF-NF	ADAPTER 1.5"NPSHM X 1.5"NHM	RIGID MALE TO RIGID MALE
AA6IF-TF	ADAPTER 1.5"NPSHM X 1.5"NPTM	RIGID MALE TO RIGID MALE
AA6NF-NF	ADAPTER 1.5"NHM X 1.5"NHM	RIGID MALE TO RIGID MALE
AA6NF-TF	ADAPTER 1.5"NHM X 1.5"NPTM	RIGID MALE TO RIGID MALE
AA6BF-BF	ADAPTER 1.5"BSPM X 1.5"BSPM	RIGID MALE TO RIGID MALE
AA6BF-NF	ADAPTER 1.5"BSPM X 1.5"NHM	RIGID MALE TO RIGID MALE
AA6TF-TF	ADAPTER 1.5"NPTM X 1.5"NPTM	RIGID MALE TO RIGID MALE
AA6IH-TF	ADAPTER 2.0"NPSHM X 1.5"NPTM	RIGID MALE TO RIGID MALE
AA6TH-NF	ADAPTER 2.0"NPTM X 1.5"NHM	RIGID MALE TO RIGID MALE
AA6TH-IF	ADAPTER 2.0"NPTM X 1.5"NPSHM	RIGID MALE TO RIGID MALE
AA6TH-TF	ADAPTER 2.0"NPTM X 1.5"NPTM	RIGID MALE TO RIGID MALE
AA6NJ-TF	ADAPTER 2.5"NHM X 1.5"NPTM	RIGID MALE TO RIGID MALE
AA6NJ-NF	ADAPTER 2.5"NHM X 1.5"NHM	RIGID MALE TO RIGID MALE
AA6NJ-IF	ADAPTER 2.5"NHM X 1.5"NPSHM	RIGID MALE TO RIGID MALE
AA6TJ-NF	ADAPTER 2.5"NPTM X 1.5"NHM	RIGID MALE TO RIGID MALE
AA6NJ-TH	ADAPTER 2.5"NHM X 2.0"NPTM	RIGID MALE TO RIGID MALE
AA6NJ-IJ	ADAPTER 2.5"NHM X 2.5"NPSHM	RIGID MALE TO RIGID MALE

Continued on next page

**STYLE 36R AA6 SERIES - Rigid Male Rocker Lug to Rigid Male Rocker Lug**



PART NO	DESCRIPTION	ADDITIONAL DESCRIPTION
AA6NJ-NJ	ADAPTER 2.5"NHM X 2.5"NHM	RIGID MALE TO RIGID MALE
AA6NJ-TJ	ADAPTER 2.5"NHM X 2.5"NPTM	RIGID MALE TO RIGID MALE
AA6IL-NJ	ADAPTER 3.0"NPSHM X 2.5"NHM	RIGID MALE TO RIGID MALE
AA6TL-NJ	ADAPTER 3.0"NPTM X 2.5"NHM	RIGID MALE TO RIGID MALE
AA6NP-NN	ADAPTER 4.0"NHM X 3.5"NHM	RIGID MALE TO RIGID MALE
AA6NP-NP	ADAPTER 4.0"NHM X 4.0"NHM	RIGID MALE TO RIGID MALE
AA6NP-BP	ADAPTER 4.0"NHM X 4.0"BSPM	RIGID MALE TO RIGID MALE
AA6NR-NR	ADAPTER 4.5"NHM X 4.5"NHM	RIGID MALE TO RIGID MALE
AA6NX-NX	ADAPTER 6.0"NHM X 6.0"NHM	RIGID MALE TO RIGID MALE
AA6IX-IX	ADAPTER 6.0"NPSHM X 6.0"NPSHM	RIGID MALE TO RIGID MALE



**ADAPTERS - AA Series, Storz**

TFT AA series Storz adapters are designed for pressure or vacuum service on a hydrant, pumper or on the ground. Their maximum operating pressure is 300 psi (20 bar) and they are compliant to NFPA 1964 2018 edition which dictates a 900 psi (62 bar) hydrostatic strength test. The aluminum parts are hardcoat anodized per MIL-A-8625 Type III, Class 2 for maximum corrosion protection. Adapters are permanently marked with the thread size and TPI per NFPA and include a red

anodized aluminum locking lever (4", 5" and 6"). Connections use polymer bearing rings which provide electrical isolation to help prevent galvanic corrosion. All Storz adapters are supplied with pressure gaskets. Suction gaskets are available. All Storz couplings may be switched from rigid to swivel by loosening the lock screw. All 6" Storz couplings have an adjustable seal compression feature.

**STYLE S37S AA1 SERIES - Storz to Rigid Female Rocker Lug**

AA1 series 4", 5" and 6" Storz two piece adapters are rigid. To change a Storz from rigid to full-time swivel, back out the lockout screw until the coupling moves freely. Refer to the diagram found in the Technical Data section of the catalog.



ADAPTER  
1.5" to 3" STORZ



ADAPTER 4" to 6" STORZ



- \* Single Piece Models
- AA1SP-TJ
- AA1SP-NJ
- AA1ST-NJ
- AA1ST-BJ
- AA1ST-IJ

PART NO	DESCRIPTION	ADDITIONAL DESCRIPTION
AA1SF-IF	ADAPTER 1.5"STORZ X 1.5"NPSHF	RIGID TO RIGID FEMALE ROCKER LUG
AA1SJ-NJ	ADAPTER 2.5"STORZ X 2.5"NHF	RIGID TO RIGID FEMALE ROCKER LUG
AA1SJ-TJ	ADAPTER 2.5"STORZ X 2.5"NPTF	RIGID TO RIGID FEMALE ROCKER LUG
AA1SL-NJ	ADAPTER 3.0"STORZ X 2.5"NHF	RIGID TO RIGID FEMALE ROCKER LUG
AA1SP-NJ*	ADAPTER 4.0"STORZ X 2.5"NHF	RIGID TO RIGID FEMALE*
AA1SP-NL	ADAPTER 4.0"STORZ X 3.0"NHF	RIGID TO RIGID FEMALE ROCKER LUG
AA1SP-IL	ADAPTER 4.0"STORZ X 3.0"NPSHF	RIGID TO RIGID FEMALE ROCKER LUG
AA1SP-NP	ADAPTER 4.0"STORZ X 4.0"NHF	RIGID TO RIGID FEMALE ROCKER LUG
AA1SP-TP	ADAPTER 4.0"STORZ X 4.0"NPTF	RIGID TO RIGID FEMALE ROCKER LUG
AA1SP-NR	ADAPTER 4.0"STORZ X 4.5"NHF	RIGID TO RIGID FEMALE ROCKER LUG
AA1SP-NT	ADAPTER 4.0"STORZ X 5.0"NHF	RIGID TO RIGID FEMALE ROCKER LUG
AA1SP-TT	ADAPTER 4.0"STORZ X 5.0"NPTF	RIGID TO RIGID FEMALE ROCKER LUG
AA1SP-NX	ADAPTER 4.0"STORZ X 6.0"NHF	RIGID TO RIGID FEMALE ROCKER LUG
AA1ST-NJ*	ADAPTER 5.0"STORZ X 2.5"NHF	RIGID TO RIGID FEMALE*
AA1ST-IJ*	ADAPTER 5.0"STORZ X 2.5"NPSHF	RIGID TO RIGID FEMALE*
AA1ST-IL	ADAPTER 5.0"STORZ X 3.0"NPSHF	RIGID TO RIGID FEMALE ROCKER LUG
AA1ST-NL	ADAPTER 5.0"STORZ X 3.0"NHF	RIGID TO RIGID FEMALE ROCKER LUG
AA1ST-TL	ADAPTER 5.0"STORZ X 3.0"NPTF	RIGID TO RIGID FEMALE ROCKER LUG
AA1ST-NP	ADAPTER 5.0"STORZ X 4.0"NHF	RIGID TO RIGID FEMALE ROCKER LUG
AA1ST-TP	ADAPTER 5.0"STORZ X 4.0"NPTF	RIGID TO RIGID FEMALE ROCKER LUG
AA1ST-IP	ADAPTER 5.0"STORZ X 4.0"NPSHF	RIGID TO RIGID FEMALE ROCKER LUG
AA1ST-NR	ADAPTER 5.0"STORZ X 4.5"NHF	RIGID TO RIGID FEMALE ROCKER LUG
AA1ST-IT	ADAPTER 5.0"STORZ X 5.0"NPSHF	RIGID TO RIGID FEMALE ROCKER LUG
AA1ST-NT	ADAPTER 5.0"STORZ X 5.0"NHF	RIGID TO RIGID FEMALE ROCKER LUG
AA1ST-TT	ADAPTER 5.0"STORZ X 5.0"NPTF	RIGID TO RIGID FEMALE ROCKER LUG
AA1ST-IX	ADAPTER 5.0"STORZ X 6.0"NPSHF	RIGID TO RIGID FEMALE ROCKER LUG
AA1ST-NX	ADAPTER 5.0"STORZ X 6.0"NHF	RIGID TO RIGID FEMALE ROCKER LUG
AA1SX-NP	ADAPTER 6.0"STORZ X 4.0"NHF	RIGID TO RIGID FEMALE ROCKER LUG
AA1SX-NR	ADAPTER 6.0"STORZ X 4.5"NHF	RIGID TO RIGID FEMALE ROCKER LUG
AA1SX-NT	ADAPTER 6.0"STORZ X 5.0"NHF	RIGID TO RIGID FEMALE ROCKER LUG

Continued on next page

**STYLE S37S AA1 SERIES - Storz to Rigid Female Rocker Lug**



PART NO	DESCRIPTION	ADDITIONAL DESCRIPTION
AA1SX-TT	ADAPTER 6.0"STORZ X 5.0"NPTF	RIGID TO RIGID FEMALE ROCKER LUG
AA1SX-TX	ADAPTER 6.0"STORZ X 6.0"NPTF	RIGID TO RIGID FEMALE ROCKER LUG
AA1SX-BX	ADAPTER 6.0"STORZ X 6.0"BSPF	RIGID TO RIGID FEMALE ROCKER LUG
AA1SX-NX	ADAPTER 6.0"STORZ X 6.0"NHF	RIGID TO RIGID FEMALE ROCKER LUG

**STYLE S54L AA1H SERIES - Storz to Rigid Female Handle**



PART NO	DESCRIPTION	ADDITIONAL DESCRIPTION
AA1HSP-NP	ADAPTER 4.0"STORZ X 4.0"NHF	RIGID TO FEMALE RIGID HANDLE
AA1HSP-NR	ADAPTER 4.0"STORZ X 4.5"NHF	RIGID TO FEMALE RIGID HANDLE
AA1HSP-NX	ADAPTER 4.0"STORZ X 6.0"NHF	RIGID TO FEMALE RIGID HANDLE
AA1HST-IP	ADAPTER 5.0"STORZ X 4.0"NPSHF	RIGID TO FEMALE RIGID HANDLE
AA1HST-NP	ADAPTER 5.0"STORZ X 4.0"NHF	RIGID TO FEMALE RIGID HANDLE
AA1HST-NR	ADAPTER 5.0"STORZ X 4.5"NHF	RIGID TO FEMALE RIGID HANDLE
AA1HST-NT	ADAPTER 5.0"STORZ X 5.0"NHF	RIGID TO FEMALE RIGID HANDLE
AA1HST-IX	ADAPTER 5.0"STORZ X 6.0"NPSHF	RIGID TO FEMALE RIGID HANDLE
AA1HST-NX	ADAPTER 5.0"STORZ X 6.0"NHF	RIGID TO FEMALE RIGID HANDLE
AA1HSX-NT	ADAPTER 6.0"STORZ X 5.0"NHF	RIGID TO FEMALE RIGID HANDLE
AA1HSX-IX	ADAPTER 6.0"STORZ X 6.0"NPSHF	RIGID TO FEMALE RIGID HANDLE
AA1HSX-NX	ADAPTER 6.0"STORZ X 6.0"NHF	RIGID TO FEMALE RIGID HANDLE

**STYLE S36S AA2 SERIES - Storz to Rigid Male**



ADAPTER 1.5" to 3" STORZ



ADAPTER 4" to 6" STORZ



\* Models  
 AA2SP-NJ  
 AA2ST-NJ  
 AA2ST-TJ  
 AA2ST-NR  
 AA2ST-NX  
 AA2ST-TX  
 AA2SX-NJ

PART NO	DESCRIPTION	ADDITIONAL DESCRIPTION
AA2SF-IF	ADAPTER 1.5"STORZ X 1.5"NPSHM	RIGID TO RIGID MALE ROCKER LUG
AA2SJ-NJ	ADAPTER 2.5"STORZ X 2.5"NHM	RIGID TO RIGID MALE ROCKER LUG
AA2SL-NJ	ADAPTER 3.0"STORZ X 2.5"NHM	RIGID TO RIGID MALE ROCKER LUG
AA2SP-NJ	ADAPTER 4.0"STORZ X 2.5"NHM	RIGID TO RIGID MALE *
AA2SP-NL	ADAPTER 4.0"STORZ X 3.0"NHM	RIGID TO RIGID MALE ROCKER LUG
AA2SP-IL	ADAPTER 4.0"STORZ X 3.0"NPSHM	RIGID TO RIGID MALE ROCKER LUG
AA2SP-TL	ADAPTER 4.0"STORZ X 3.0"NPTM	RIGID TO RIGID MALE ROCKER LUG
AA2SP-NP	ADAPTER 4.0"STORZ X 4.0"NHM	RIGID TO RIGID MALE ROCKER LUG
AA2SP-TP	ADAPTER 4.0"STORZ X 4.0"NPTM	RIGID TO RIGID MALE ROCKER LUG
AA2SP-NR	ADAPTER 4.0"STORZ X 4.5"NHM	RIGID TO RIGID MALE ROCKER LUG
AA2SP-NT	ADAPTER 4.0"STORZ X 5.0"NHM	RIGID TO RIGID MALE ROCKER LUG
AA2SP-NX	ADAPTER 4.0"STORZ X 6.0"NHM	RIGID TO RIGID MALE ROCKER LUG
AA2ST-NF	ADAPTER 5.0"STORZ X 1.5"NHM	RIGID TO RIGID MALE ROCKER LUG
AA2ST-NJ	ADAPTER 5.0"STORZ X 2.5"NHM	RIGID TO RIGID MALE *
AA2ST-TJ	ADAPTER 5.0"STORZ X 2.5"NPTM	RIGID TO RIGID MALE *
AA2ST-IL	ADAPTER 5.0"STORZ X 3.0"NPSHM	RIGID TO RIGID MALE ROCKER LUG
AA2ST-IP	ADAPTER 5.0"STORZ X 4.0"NPSHM	RIGID TO RIGID MALE ROCKER LUG
AA2ST-NP	ADAPTER 5.0"STORZ X 4.0"NHM	RIGID TO RIGID MALE ROCKER LUG
AA2ST-TP	ADAPTER 5.0"STORZ X 4.0"NPTM	RIGID TO RIGID MALE ROCKER LUG
AA2ST-NR	ADAPTER 5.0"STORZ X 4.5"NHM	RIGID TO RIGID MALE *
AA2ST-IT	ADAPTER 5.0"STORZ X 5.0"NPSHM	RIGID TO RIGID MALE ROCKER LUG
AA2ST-NT	ADAPTER 5.0"STORZ X 5.0"NHM	RIGID TO RIGID MALE ROCKER LUG
AA2ST-NX	ADAPTER 5.0"STORZ X 6.0"NHM	RIGID TO RIGID MALE *
AA2ST-TX	ADAPTER 5.0"STORZ X 6.0"NPTM	RIGID TO RIGID MALE *
AA2SX-NJ	ADAPTER 6.0"STORZ X 2.5"NHM	RIGID TO RIGID MALE *
AA2SX-NR	ADAPTER 6.0"STORZ X 4.5"NHM	RIGID TO RIGID MALE ROCKER LUG
AA2SX-NX	ADAPTER 6.0"STORZ X 6.0"NHM	RIGID TO RIGID MALE ROCKER LUG

**STYLE S54R AA3 SERIES - Storz to Swivel Female Rocker Lug**

For 4", 5" and 6" Storz AA3 series model numbers, order appropriate AA1 series model numbers. AA1 Series can easily be changed from rigid to full-time swivel, back out the lockout screw until the coupling moves freely. Refer to the diagram found in the Technical Data section of the catalog.



PART NO	DESCRIPTION	ADDITIONAL DESCRIPTION
AA3SJ-NJ	ADAPTER 2.5"STORZ X 2.5"NHF	SWIVEL TO SWIVEL FEMALE ROCKER LUG
AA3ST-NJ	ADAPTER 5.0"STORZ X 2.5"NHF	SWIVEL TO SWIVEL FEMALE ROCKER LUG

**STYLE S60S AA4 SERIES - Storz to Storz**



AA4SJ-SF  
AA4SP-SL  
AA4ST-SL  
  
\* 1.5" to 3"  
STORZ  
SIDE IS SILVER

PART NO	DESCRIPTION	ADDITIONAL DESCRIPTION
AA4SJ-SF*	ADAPTER 2.5"STORZ X 1.5"STORZ	RIGID TO RIGID
AA4SP-SL*	ADAPTER 4.0"STORZ X 3.0"STORZ	RIGID TO RIGID
AA4ST-SL*	ADAPTER 5.0"STORZ X 3.0"STORZ	RIGID TO RIGID
AA4ST-SP	ADAPTER 5.0"STORZ X 4.0"STORZ	RIGID TO RIGID
AA4SX-SP	ADAPTER 6.0"STORZ X 4.0"STORZ	RIGID TO RIGID
AA4SX-ST	ADAPTER 6.0"STORZ X 5.0"STORZ	RIGID TO RIGID

**AA12 SERIES - Storz to Swivel Female Rocker Lug**



PART NO	DESCRIPTION	ADDITIONAL DESCRIPTION
AA12SP-NJ	ADAPTER 4.0"STORZ X 2.5"NHF	RIGID TO SWIVEL FEMALE ROCKER
AA12SP-NR	ADAPTER 4.0"STORZ X 4.5"NHF	RIGID TO SWIVEL FEMALE ROCKER
AA12SP-NX	ADAPTER 4.0"STORZ X 6.0"NHF	RIGID TO SWIVEL FEMALE ROCKER
AA12ST-NJ	ADAPTER 5.0"STORZ X 2.5"NHF	RIGID TO SWIVEL FEMALE ROCKER
AA12ST-NP	ADAPTER 5.0"STORZ X 4.0"NHF	RIGID TO SWIVEL FEMALE ROCKER
AA12ST-NR	ADAPTER 5.0"STORZ X 4.5"NHF	RIGID TO SWIVEL FEMALE ROCKER
AA12ST-NT	ADAPTER 5.0"STORZ X 5.0"NHF	RIGID TO SWIVEL FEMALE ROCKER
AA12ST-NX	ADAPTER 5.0"STORZ X 6.0"NHF	RIGID TO SWIVEL FEMALE ROCKER

**AA12H SERIES - Storz to Swivel Female Handle**



PART NO	DESCRIPTION	ADDITIONAL DESCRIPTION
AA12HSP-NR	ADAPTER 4.0"STORZ X 4.5"NHF	RIGID TO SWIVEL FEMALE HANDLE
AA12HSP-NT	ADAPTER 4.0"STORZ X 5.0"NHF	RIGID TO SWIVEL FEMALE HANDLE
AA12HSP-NX	ADAPTER 4.0"STORZ X 6.0"NHF	RIGID TO SWIVEL FEMALE HANDLE
AA12HST-NP	ADAPTER 5.0"STORZ X 4.0"NHF	RIGID TO SWIVEL FEMALE HANDLE
AA12HST-IP	ADAPTER 5.0"STORZ X 4.0"NPSHF	RIGID TO SWIVEL FEMALE HANDLE
AA12HST-NR	ADAPTER 5.0"STORZ X 4.5"NHF	RIGID TO SWIVEL FEMALE HANDLE
AA12HST-NX	ADAPTER 5.0"STORZ X 6.0"NHF	RIGID TO SWIVEL FEMALE HANDLE

**ELBOWS – AH Series, Threaded**

TFT AH series threaded elbows are cast to a 30° down angle for easy connection and to relieve the weight of the hose when connected. Their maximum operating pressure is 300 psi (20 bar) and they are compliant to NFPA 1964 2018 edition which dictates a 900 psi (62 bar) hydrostatic strength test. The aluminum parts are hardcoat anodized per MIL-A-8625

Type III, Class 2 for maximum corrosion protection then powder coated silver. 2.5" and smaller swivel connections use stainless steel ball bearings, not piston rings, to ensure longevity and easy serviceability. 3.0" and larger connections use polymer bearing rings which provide electrical isolation to help prevent galvanic corrosion.

**STYLE KER AH5 SERIES - Swivel Female Rocker Lug to Rigid Male Rocker Lug**



PART NO	DESCRIPTION	ADDITIONAL DESCRIPTION
AH5NJ-NJ	ELBOW 2.5"NHF X 2.5"NHM	SWIVEL ROCKER LUG TO RIGID MALE
AH5NR-NR	ELBOW 4.5"NHF X 4.5"NHM	SWIVEL ROCKER LUG TO RIGID MALE

**STYLE KEL AH5H SERIES - Swivel Female Handle to Rigid Male Rocker Lug**



PART NO	DESCRIPTION	ADDITIONAL DESCRIPTION
AH5HNX-NX	ELBOW 6.0"NHF X 6.0"NHM	SWIVEL HANDLE TO RIGID MALE

**AH7H SERIES - Swivel Female Handle to Swivel Female Handle**



PART NO	DESCRIPTION	ADDITIONAL DESCRIPTION
AH7HNR-NP	ELBOW 4.5"NHF X 4.0"NHF	SWIVEL HANDLE TO SWIVEL HANDLE
AH7HNX-NR	ELBOW 6.0"NHF X 4.5"NHF	SWIVEL HANDLE TO SWIVEL HANDLE

**ELBOWS – AH Series, Storz**

TFT AH series Storz elbows are cast to a 30° down angle for easy connection and to relieve the weight of the hose when connected. Their maximum operating pressure is 300 psi (20 bar) and they are compliant to NFPA 1964 2018 edition which dictates a 900 psi (62 bar) hydrostatic strength test. The aluminum parts are hardcoat anodized per MIL-A-8625 Type III, Class 2 for maximum corrosion protection then powder coated

silver. Hose couplings are attached using polymer bearing rings which provide electrical isolation to help prevent galvanic corrosion. All Storz adapters are supplied with pressure gaskets. Suction gaskets are available. All Storz couplings may be switched from rigid to swivel by loosening the lock screw. All 6" Storz couplings have an adjustable seal compression feature.

**STYLE SKE-R AH1 SERIES - Storz to Swivel Female Rocker Lug**



For 4", 5" and 6" Storz AH1 series model numbers, order appropriate AH3 series model numbers. AH3 Series can easily be changed from rigid to full-time swivel, back out the lockout screw until the coupling moves freely. Refer to the diagram found in the Technical Data section of the catalog.

**STYLE SKE-L AH1H SERIES - Storz to Swivel Female Handle**



For 4", 5" and 6" Storz AH1H series model numbers, order appropriate AH3H series model numbers. AH3H Series can easily be changed from rigid to full-time swivel, back out the lockout screw until the coupling moves freely. Refer to the diagram found in the Technical Data section of the catalog.

**AH4 SERIES - Storz to Storz**



PART NO	DESCRIPTION	ADDITIONAL DESCRIPTION
AH4SP-SP	ELBOW 4.0"STORZ X 4.0"STORZ	RIGID TO SWIVEL
AH4ST-SP	ELBOW 5.0"STORZ X 4.0"STORZ	RIGID TO SWIVEL
AH4ST-ST	ELBOW 5.0"STORZ X 5.0"STORZ	RIGID TO SWIVEL

**AH2 SERIES - Storz to Rigid Male Rocker Lug**



PART NO	DESCRIPTION	ADDITIONAL DESCRIPTION
AH2ST-NJ	ELBOW 5.0"STORZ X 2.5"NHM	RIGID TO RIGID MALE

**STYLE SKE-R AH3 SERIES - Storz to Swivel Female Rocker Lug**



PART NO	DESCRIPTION	ADDITIONAL DESCRIPTION
AH3SP-NJ	ELBOW 4.0"STORZ X 2.5"NHF	RIGID TO SWIVEL ROCKER LUG
AH3SP-NL	ELBOW 4.0"STORZ X 3.0"NHF	RIGID TO SWIVEL ROCKER LUG
AH3SP-IL	ELBOW 4.0"STORZ X 3.0"NPSHF	RIGID TO SWIVEL ROCKER LUG
AH3SP-TL	ELBOW 4.0"STORZ X 3.0"NPTF	RIGID TO SWIVEL ROCKER LUG
AH3SP-NP	ELBOW 4.0"STORZ X 4.0"NHF	RIGID TO SWIVEL ROCKER LUG
AH3SP-TP	ELBOW 4.0"STORZ X 4.0"NPTF	RIGID TO SWIVEL ROCKER LUG
AH3SP-NR	ELBOW 4.0"STORZ X 4.5"NHF	RIGID TO SWIVEL ROCKER LUG
AH3SP-NT	ELBOW 4.0"STORZ X 5.0"NHF	RIGID TO SWIVEL ROCKER LUG
AH3SP-NX	ELBOW 4.0"STORZ X 6.0"NHF	RIGID TO SWIVEL ROCKER LUG
AH3ST-NJ	ELBOW 5.0"STORZ X 2.5"NHF	RIGID TO SWIVEL ROCKER LUG
AH3ST-NL	ELBOW 5.0"STORZ X 3.0"NHF	RIGID TO SWIVEL ROCKER LUG
AH3ST-NP	ELBOW 5.0"STORZ X 4.0"NHF	RIGID TO SWIVEL ROCKER LUG
AH3ST-TP	ELBOW 5.0"STORZ X 4.0"NPTF	RIGID TO SWIVEL ROCKER LUG
AH3ST-NR	ELBOW 5.0"STORZ X 4.5"NHF	RIGID TO SWIVEL ROCKER LUG
AH3ST-NT	ELBOW 5.0"STORZ X 5.0"NHF	RIGID TO SWIVEL ROCKER LUG
AH3ST-TT	ELBOW 5.0"STORZ X 5.0"NPTF	RIGID TO SWIVEL ROCKER LUG
AH3ST-NX	ELBOW 5.0"STORZ X 6.0"NHF	RIGID TO SWIVEL ROCKER LUG
AH3ST-TX	ELBOW 5.0"STORZ X 6.0"NPTF	RIGID TO SWIVEL ROCKER LUG
AH3SX-NT	ELBOW 6.0"STORZ X 5.0"NHF	RIGID TO SWIVEL ROCKER LUG

**STYLE SKE-L AH3H SERIES - Storz to Swivel Female Handle**



PART NO	DESCRIPTION	ADDITIONAL DESCRIPTION
AH3HSP-NP	ELBOW 4.0"STORZ X 4.0"NHF	RIGID TO SWIVEL HANDLE
AH3HSP-NT	ELBOW 4.0"STORZ X 5.0"NHF	RIGID TO SWIVEL HANDLE
AH3HSP-NX	ELBOW 4.0"STORZ X 6.0"NHF	RIGID TO SWIVEL HANDLE
AH3HST-NP	ELBOW 5.0"STORZ X 4.0"NHF	RIGID TO SWIVEL HANDLE
AH3HST-NR	ELBOW 5.0"STORZ X 4.5"NHF	RIGID TO SWIVEL HANDLE
AH3HST-NT	ELBOW 5.0"STORZ X 5.0"NHF	RIGID TO SWIVEL HANDLE
AH3HST-NX	ELBOW 5.0"STORZ X 6.0"NHF	RIGID TO SWIVEL HANDLE
AH3HST-IX	ELBOW 5.0"STORZ X 6.0"NPSHF	RIGID TO SWIVEL HANDLE
AH3HSX-NX	ELBOW 6.0"STORZ X 6.0"NHF	RIGID TO SWIVEL HANDLE

**DETENT ELBOWS – AJ Series**

TFT AJ series detent elbows are cast to a 30° down angle for easy connection and to relieve the weight of the hose when connected. The swivel includes multiple detent options that allow the elbow to swivel 360°. This makes the LDH connection easy and will allow the hose to find its path of least resistance on its own. They are an ideal elbow for pumps with built-in intake valves. Their maximum operating pressure is 300 psi (20 bar) and they are compliant to NFPA 1964 2018 edition

which dictates a 900 psi (62 bar) hydrostatic strength test. The aluminum parts are hardcoat anodized per MIL-A-8625 Type III, Class 2 for maximum corrosion protection then powder coated silver. Hose couplings are attached using polymer bearing rings which provide electrical isolation to help prevent galvanic corrosion. All Storz couplings may be switched from rigid to swivel by loosening the lock screw. All 6" Storz couplings have an adjustable seal compression feature.

**AJ3 SERIES - Storz to Swivel Female Handle**



For 4", 5" and 6" Storz AJ3 series model numbers, order appropriate AJ1 series model numbers. AJ1 Series can easily be changed from rigid to full-time swivel, back out the lockout screw until the coupling moves freely. Refer to the diagram found in the Technical Data section of the catalog.

**AJ1 SERIES - Storz to Swivel Female Handle**



PART NO	DESCRIPTION	ADDITIONAL DESCRIPTION
AJ1SP-NX	DETENT ELBOW 4.0"STORZ X 6.0"NHF	SWIVEL FEMALE HANDLE
AJ1ST-NT	DETENT ELBOW 5.0"STORZ X 5.0"NHF	SWIVEL FEMALE HANDLE
AJ1ST-NX	DETENT ELBOW 5.0"STORZ X 6.0"NHF	SWIVEL FEMALE HANDLE
AJ1SX-NX	DETENT ELBOW 6.0"STORZ X 6.0"NHF	SWIVEL FEMALE HANDLE

**AJ7 SERIES - Swivel Female Rocker Lug to Swivel Female Handle**



PART NO	DESCRIPTION	ADDITIONAL DESCRIPTION
AJ7NP-NX	DETENT ELBOW 4.0"NHF X 6.0"NHF	SWIVEL ROCKER LUG TO SWIVEL HANDLE

**AJ8 SERIES - Rigid Male Rocker Lug to Swivel Female Handle**



PART NO	DESCRIPTION	ADDITIONAL DESCRIPTION
AJ8NX-NX	DETENT ELBOW 6.0"NHM X 6.0"NHF	RIGID MALE TO SWIVEL HANDLE



**BLIND CAPS & PLUGS – A0 Series**

The A0 series of blind caps and plugs are made of lightweight heat treated aluminum. They include an 18" (46 cm) lanyard with ¼" (6mm) eye for easy attachment. Per NFPA 1963, Storz caps come with a gasket and no locking lever. The blind caps have

a 1.5" Circle cotter for attachment. Their maximum operating pressure is 300 psi (20 bar) and they are compliant to NFPA 1964 2018 edition which dictates a 900 psi (62 bar) hydrostatic strength test.

**A01 SERIES - Blind Cap Rocker Lug with Lanyard**



PART NO	DESCRIPTION
A01ID	BLIND CAP 1.0"NPSHF W/LANYARD
A01ND	BLIND CAP 1.0"NHF W/LANYARD
A01IF	BLIND CAP 1.5"NPSHF W/LANYARD
A01NF	BLIND CAP 1.5"NHF W/LANYARD
A01BF	BLIND CAP 1.5"BSPF W/LANYARD
A01NJ	BLIND CAP 2.5"NHF W/LANYARD
A01NP	BLIND CAP 4.0"NHF W/LANYARD
A01NR	BLIND CAP 4.5"NHF W/LANYARD
A01NT	BLIND CAP 5.0"NHF W/LANYARD
A01NX	BLIND CAP 6.0"NHF W/LANYARD

**A01H SERIES - Blind Cap Handle with Lanyard**



PART NO	DESCRIPTION
A01HNR	BLIND CAP HNDL 4.5"NHF W/LANYARD
A01HNT	BLIND CAP HNDL 5.0"NHF W/LANYARD
A01HNX	BLIND CAP HNDL 6.0"NHF W/LANYARD

**A05 SERIES - Blind Plug with Lanyard**



PART NO	DESCRIPTION	ADDITIONAL DESCRIPTION
A05IF	BLIND PLUG 1.5"NPSHM W/LANYARD	ROCKER LUG BLIND PLUG
A05NF	BLIND PLUG 1.5"NHM W/LANYARD	ROCKER LUG BLIND PLUG
A05BJ	BLIND PLUG 2.5"BSPM W/LANYARD	ROCKER LUG BLIND PLUG
A05IJ	BLIND PLUG 2.5"NPSHM W/LANYARD	ROCKER LUG BLIND PLUG
A05NJ	BLIND PLUG 2.5"NHM W/LANYARD	ROCKER LUG BLIND PLUG

**A01-PA SERIES - Blind Cap Rocker Lug with 1/4" NPTF**



PART NO	DESCRIPTION
A01IF-PA	BLIND CAP 1.5"NPSHF W 1/4" NPTF
A01NF-PA	BLIND CAP 1.5"NHF W 1/4" NPTF
A01NJ-PA	BLIND CAP 2.5"NHF W 1/4" NPTF

**A01 SERIES - Adapter with Blind Cap**



PART NO	DESCRIPTION	ADDITIONAL DESCRIPTION
A01NJ-IF	ADAPTER 2.5"NHF X 1.5"NPSHM WITH 1.5" CAP	FEMALE X MALE THREAD REDUCING ADAPTER
A01NJ-NF	ADAPTER 2.5"NHF X 1.5"NHM WITH 1.5" CAP	FEMALE X MALE THREAD REDUCING ADAPTER

**A01S SERIES - Storz Blind Cap with Lanyard**



PART NO	DESCRIPTION	ADDITIONAL DESCRIPTION
A01SP	BLIND CAP 4.0"STORZ W/LANYARD	STORZ LOCK NOT INCLUDED
A01ST	BLIND CAP 5.0"STORZ W/LANYARD	STORZ LOCK NOT INCLUDED
A01SX	BLIND CAP 6.0"STORZ W/LANYARD	W/ 1/4"NPT STORZ LOCK NOT INCLUDED

**A01S SERIES - Storz with 1/4" NPTF**



PART NO	DESCRIPTION	ADDITIONAL DESCRIPTION
A01SP-PA	CAP 4.0"STORZ W/ 1/4"NPT OUTLET PORT	STORZ LOCK NOT INCLUDED
A01ST-PA	CAP 5.0"STORZ W/ 1/4"NPT OUTLET PORT	STORZ LOCK NOT INCLUDED

**HYDRANT ADAPTERS – A0 Series**

Designed to enhance the rapid attachment of supply lines and improve inter-operability among responding agencies, hydrant Storz adapters easily and permanently attach to the threaded hydrant discharge port. The adapter and permanently secured cap are manufactured from hard anodized cast aluminum alloy for years of rugged use. The adapter includes a Storz lock, set

screws to secure adapter to hydrant, and a hole to install an anti-tamper device. Colored Scotchlite labeling is included in colors corresponding to NFPA 291 flow ranges (blue, green, orange and red). Adapter and cap meet NFPA 1963 and 1964 900psi hydrostatic testing.

**A04 SERIES - Hydrant Adapter**

PART NO	DESCRIPTION	ADDITIONAL DESCRIPTION
A04NP-ST	HYDRANT ADAPTER 4.0"NHF X 5.0"STORZ	WITH 5.0"STORZ BLIND CAP & LANYARD
A04NR-ST*	HYDRANT ADAPTER 4.5"NHF X 5.0"STORZ	WITH 5.0"STORZ BLIND CAP & LANYARD*
A04NR-SX	HYDRANT ADAPTER 4.5"NHF X 6.0"STORZ	WITH 6.0"STORZ BLIND CAP & LANYARD
A04TT-ST	HYDRANT ADAPTER 5.0"NPTF X 5.0"STORZ	CAP NOT INCLUDED



\* Model  
A04NR-ST

**HOSE THREAD ADAPTERS**

TFT hose thread adapters allow for easy hose connections. The internal flow path is specially shaped to reduce friction loss and turbulence when reducing.

**H-A SERIES - 2.5" Hose Reducing Adapter**



PART NO	DESCRIPTION	ADDITIONAL DESCRIPTION
H-A	ADAPTER 2.5"NHF X 1.5"NHM RIGID	FEMALE X MALE THREAD REDUCING ADAPTER
H-A-NJIF	ADAPTER 2.5"NHF X 1.5"NPSHM RIGID	FEMALE X MALE THREAD REDUCING ADAPTER



Model  
H-A-SJNF



PART NO	DESCRIPTION	ADDITIONAL DESCRIPTION
B-A	ADAPTER 1.5"NHF X 1.0"NHM	FEMALE X MALE THREAD REDUCING ADAPTER

**J SERIES - Break and Extend Adapter**



PART NO	DESCRIPTION	ADDITIONAL DESCRIPTION
JIF-NJ	ADAPTER 1.5"NPSHF X 2.5"NHM	USED FOR BREAK AND EXTEND OPERATIONS
JNF-NJ	ADAPTER 1.5"NHF X 2.5"NHM	USED FOR BREAK AND EXTEND OPERATIONS

**FLANGE ADAPTERS**

The flange adapters are designed for pressure or vacuum service. Their maximum operating pressure is 300 psi (20 bar) and they are compliant to NFPA 1964 2018 edition which dictates a 900 psi (62 bar) hydrostatic strength test. The aluminum parts are hardcoat anodized per MIL-A8625 Type III,

Class 2 for maximum corrosion protection. All Storz adapters include a red anodized aluminum locking lever (4", 5", and 6"). All Storz adapters are supplied with pressure gaskets. Suction gaskets are available.

**AA9 SERIES - Storz Outlet**



PART NO	DESCRIPTION	ADDITIONAL DESCRIPTION
AA9FX-ST	ADAPTER 6.0" ANSI X 5.0" STORZ	FLANGE X STORZ
AA9FX-SX	ADAPTER 6.0" ANSI X 6.0" STORZ	FLANGE X STORZ

**AA9 SERIES - Male Outlet**



PART NO	DESCRIPTION	ADDITIONAL DESCRIPTION
AA9FX-IX	ADAPTER 6.0" ANSI X 6.0" NPSHM	FLANGE X MALE
AA9FX-NX	ADAPTER 6.0" ANSI X 6.0" NHM	FLANGE X MALE

**AA9 SERIES - Female Outlet**



PART NO	DESCRIPTION	ADDITIONAL DESCRIPTION
AA9FX-HNX-F	ADAPTER 6.0" ANSI X 6.0" NHF HDL	FLANGE X FEMALE HANDLE

## TOOLS

TFT spanners, wrenches and tools are designed for rugged fire service use in a variety of applications. Many items include brackets for easy truck mounting.

## TOOLS - Spanners, Wrenches, Brackets

PART NO	DESCRIPTION	ADDITIONAL DESCRIPTION
A3090	JUMBO SPANNER WRENCH	SINGLE FITS 1" THRU 6" STORZ
A3095-25	FORESTRY HOSE CLAMP	HOSE CLAMP BOX OF 25
A3800	ADJUSTABLE HYDRANT WRENCH	FITS 1" THRU 6" STORZ
A3810	SPANNER WRENCHES & BRACKET	4 WRENCHES FIT 1" THRU 6" STORZ
A3813	SPANNER WRENCH	WRENCH ONLY
A3815	WRENCH BRACKET & SPRING	
A3820	HAND HELD HOSE ROLLER	
A3835	HYDRANT WRENCH	WRENCH ONLY
A3840	2 WRENCH BRACKET SET	SPANNERS
A3842	2 WRENCH BRACKET	BRACKET ONLY
A3843	3 WRENCH BRACKET	BRACKET ONLY
A3845	3 WRENCH BRACKET SET	SPANNERS & HYDRANT
A3850	3 WRENCH BRACKET SET TFT	SPANNERS & TFT HYDRANT



JUMBO SPANNER WRENCH  
■ **A3090**



FORESTRY HOSE CLAMP  
■ **A3095-25**



ADJUSTABLE HYDRANT WRENCH  
■ **A3800**



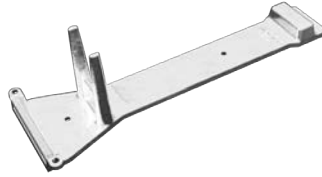
SPANNER WRENCHES & BRACKET  
■ **A3810**

**TOOLS**

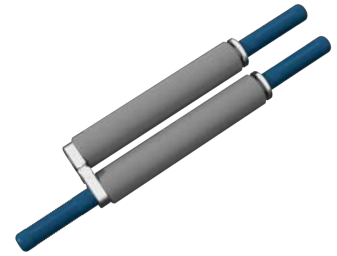
**TOOLS - Spanners, Wrenches, Brackets**



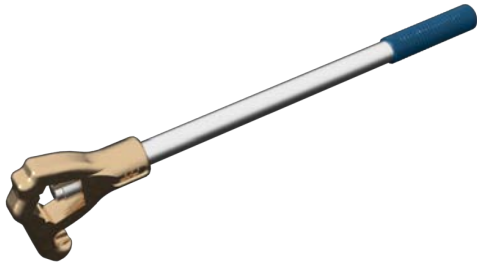
SPANNER WRENCH  
■ **A3813**



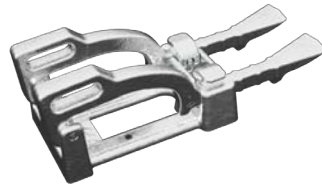
WRENCH BRACKET & SPRING  
■ **A3815**



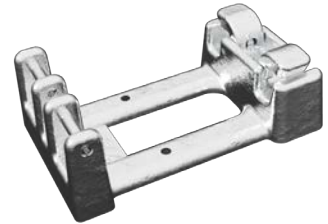
HAND HELD HOSE ROLLER  
■ **A3820**



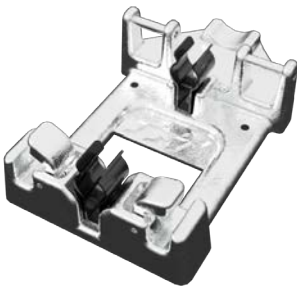
HYDRANT WRENCH  
■ **A3835**



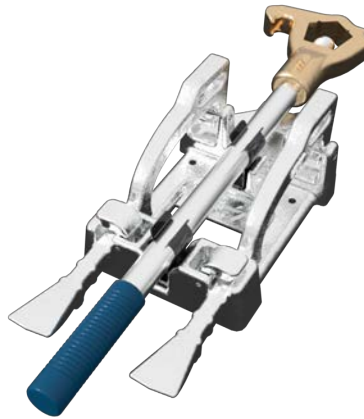
2 WRENCH BRACKET SET  
■ **A3840**



2 WRENCH BRACKET  
■ **A3842**



3 WRENCH BRACKET  
■ **A3843**



3 WRENCH BRACKET SET  
■ **A3845**



3 WRENCH BRACKET SET TFT  
■ **A3850**

**RES-Q-RENCH® - Spanner**

PART NO	DESCRIPTION	ADDITIONAL DESCRIPTION
SPAN1	RES-Q-RENCH	FOLDING MULTI-FUNCTION SPANNER WRENCH
SPAN1-202	RES-Q-RENCH STORZ 32-38-45-52-65-75-110	FOLDING MULTI-FUNCTION SPANNER WRENCH
SPAN25	RES-Q-RENCH BOX OF 25	FOLDING MULTI-FUNCTION SPANNER WRENCH



**REPAIR KITS**

**1.0" Twister, QuadraFog, and D75 Series Ball Valves**

D10-KIT	1.0" Twister Front End Seat/Seal Kit
D75-KIT	1.0" Rear Valve Seat Kit
D75-HDL	Bail Handle & Valve Seat Kit (NO Mandrel)
D75-HRK	Bail Handle & Valve Seat Kit (Incl. Mandrel)

**1.5" Twister, QuadraFog, QuadraCup, and F100 Series Ball Valves**

F20-KIT	1.5" Twister Front End Seat/Seal Kit
F100-KIT	1.5" Rear Valve Valve Rear Seat Kit
F100-HDL	Bail Handle & Valve Seat Kit (NO Mandrel)
F100-HRK	Bail Handle & Valve Seat Kit (Incl. Mandrel)

**1.5" and 2.5" ThunderFog, F140 and J140 Ball Valve Series**

F140-KIT	Valve Rear Seat Kit
F140-HDL	Bail Handle & Valve Seat Kit (NO Mandrel)
F140-HRK	Bail Handle & Valve Seat Kit (Incl. Mandrel)

**Bubble Cup SERIES**

D285-KIT	1.0" Bubble Cup Stream Shaper Kit
F685-KIT	1.5" Bubble Cup Stream Shaper Kit
F675-KIT	QuadraCup Aluminum Stream Shaper Kit
F675-UPGRADE	QuadraCup Aluminum Sleeve Upgrade

**ULTIMATIC SERIES - Manufactured After 1983**

B950-KIT	Bail Handle Kit (Metal)
B955-KIT	Bail Handle Kit (Manuf After 8/05)
B960-KIT	Valve Seal Kit
B880-KIT	Stream Shaper Kit

**MIDRANGE SERIES**

HM960-KIT	Nozzle Seal Kit
HM840-KIT	100 Psi Control Unit
HM840-75-KIT	75 Psi Control Unit
HMD840-KIT	Dual Pressure Control Unit 100/55 Psi
HM590-KIT	-V and -VPGI Valve Plug
HM950-KIT	Bail Handle Kit
HM880-KIT	Stream Shaper Kit

**HANDLINE SERIES (manufactured after 1983 to current)**

H880-KIT	Stream Shaper Kit
H960-KIT	Valve Seal Kit
P920-KIT	Playpipe Handle/Hdw Kit
HX950-KIT	Bail Handle Kit (Replaces Metal Handle)

(manufactured after Jan 01, 2004)

HX840-75-KIT	Pressure Control Unit 75 Psi
HX840-KIT	Pressure Control Unit 100 Psi
HXD830-KIT	Dual Pressure Knob 100 Psi

**H-VO VALVES**

P690-KIT	Ball Valve Repair Kit
----------	-----------------------

**HANDLINE SERIES UPGRADE KITS (manufactured between 1985 to 2003)**

**Single Pressure**

HX-100-KIT	95-300 Gpm @ 100 PSI
HX-75-KIT	95-250 Gpm @ 75 PSI

**Dual Pressure**

HXD-100-KIT	95-300 Gpm @ 100/55 PSI (dual pressure)
-------------	---

**EXTEND-A-GUN SERIES**

XG840-KIT	MANUAL EXTEND-A-GUN REED SWITCH
XGA840-KIT	RC3 EXTEND-A-GUN REED SWITCH (made before June 2009)
XGA841-KIT	RC4 EXTEND-A-GUN REED SWITCH (made before June 2009)
XGE695-KIT	RC EXTEND-A-GUN REED SWITCH (made after June 2009)
XGE690-KIT	RC EXTEND-A-GUN DRIVE BOX Repair Kit (6/1/09 and newer)

**LDH SERVICE KITS**

A1520-KIT	AB, AC, and ABS Series BIV Valve Seat Kit
A1520-CRK	BIV Complete Rebuild Kit
A1082-KIT	AX, AP, and AQ Series Jumbo BIV Valve Seat Kit
A1082-CRK	Jumbo BIV Complete Rebuild Kit
A1621-KIT	Vent Drain Kit - Lever Style
A1633-KIT	Parallel Shaft Gear Box Kit
AX1690-KIT	BIV RC Upgrade
A4178-KIT	Storz lever lock alum upgrade kit - 4"
A4179-KIT	Storz lever lock alum upgrade kit - 5"
THA401-ST	Retaining Strip Removal Tool
THA406-KIT	BIV Seat Tool
A1410-KIT	Suction Screen 5"
JET-ELBOWKIT	Jet Siphon Elbow Upgrade Kit
JET-NF-KIT	JET SIPHON FIELD CONVERSION KIT
A4215-KIT	4" (100 mm) Storz pressure gasket
A4216-KIT	4" (100 mm) Storz suction gasket
A4220-KIT	5" (125 mm) Storz pressure gasket
A4221-KIT	5" (125 mm) Storz suction gasket
A4274	6" (150 mm) Storz pressure gasket
A4273	6" (150 mm) Storz suction gasket
PRV-KIT	PRV Field Rebuild Kit Without Galvanic Insulator
PRV-G-KIT	PRV Field Rebuild Kit With Galvanic Insulator

**INTEGRAL SMOOTHBORE ORIFICE REPLACEMENT**

P116-KIT	Stream Straightener 1.5"
HVIT2-KIT	VIT Ball Valve Outlet 15/16"
HVIT3-KIT	VIT Ball Valve Outlet 1"
HVIT4-KIT	VIT Ball Valve Outlet 1-1/8"
HVIT5-KIT	VIT Ball Valve Outlet 1-1/4"
HVIT7-KIT	VIT Ball Valve Outlet 1-3/16"



**REPAIR KITS**

**LUBRICANTS**

VSA-101	Dow 112 Grease 5.3 Oz Tube
VSA-110	Breakfree 4 Oz Aerosol
VSA-112	Breakfree 12 Oz Aerosol
H-LUBE-KIT	Nozzle Lubrication Kit
H-LUBE-KIT-P	Nozzle Lubrication Kit Non-Aerosol for International

**2.5" GATED WYE**

AY175-KIT	200 psi Gauge Kit For Ay Series 2.5" Gated Wye
A1621-KIT	Vent Drain Kit - Lever Style
AY970-KIT*	Slow Close Valve Kit *(contact TFT customer service for correct model number for your valve)

**CROSSFIRE - BLITZFIRE**

X170-KIT	CROSSFIRE Rotation Lock Insert Kit
X455-KIT	CROSSFIRE Tie Down Strap
X960-KIT	CROSSFIRE Spike Replacement Kit
XX482-KIT	BLITZFIRE Spike Replacement Kit
XX830-KIT	Elevation Swivel Clutch Assembly
XX910-KIT	BLITZFIRE Trip Mechanism Kit
XX-STRAP-KIT	BLITZFIRE Tie Down Strap

**EDUCTOR**

UE960-KIT	Cam Lock Adapter
-----------	------------------

**MONITORS**

TETHER01-KIT	Stacked Tips Tether Kit
--------------	-------------------------

**PRO/pak**

U230-KIT	PRO/pak Knob Repair Kit
----------	-------------------------

**DECON/pak**

U232-KIT	DECON/pak Knob Repair Kit
----------	---------------------------

**COLORED HANDLE KITS**

**Colored Valve Handle Covers**

All nozzles delivered after 09/01/09 have the ability to have colored valve handles added. Colored handle covers are available at no charge at the time of order.

HM925BLK-KIT	BLACK COVER
HM925BLU-KIT	BLUE COVER
HM925GRN-KIT	GREEN COVER
HM925GRY-KIT	GRAY COVER
HM925ORG-KIT	ORANGE COVERS
HM925PPL-KIT	PURPLE COVER
HM925RED-KIT	RED COVER
HM925TAN-KIT	TAN COVER
HM925WHT-KIT	WHITE COVER
HM925YEL-KIT	YELLOW COVER

**METRO SERIES FLOW/PRESSURE CHANGE KITS**

ME1-TO-KIT	Metro TO Flow Pressure Change Kit
ME1-V-KIT	Metro Valved Flow Pressure Change Kit
ME2-KIT	Metro 2 Flow Pressure Change Kit

**PISTOL GRIP KITS**

**Colored Pistol Grips for TFT Nozzles**

All TFT nozzles delivered after 03/01/01 have the ability to have colored pistol grips added. For nozzles manufactured before this date, contact TFT's service department for availability. Colored pistol grips are available at no charge at time of order. Kits can also be ordered for adding a grip to a non-grip model for a nominal fee.

HM692BLK-KIT	BLACK GRIP
HM692BLU-KIT	BLUE GRIP
HM692GRN-KIT	GREEN GRIP
HM692ORG-KIT	ORANGE GRIP
HM692PPL-KIT	PURPLE GRIP
HM692RED-KIT	RED GRIP
HM692WHT-KIT	WHITE GRIP
HM692YEL-KIT	YELLOW GRIP

**INSTRUCTION MANUALS**

**(instruction manuals available at no charge)**

All Manuals are available on line at [tft.com](http://tft.com) or call TFT customer service.

THREAD INFORMATION

STANDARD FIRE HOSE THREADS											
Size	ODM	TPI	Size	ODM	TPI	Size	ODM	TPI	Size	ODM	TPI
<b>Nat'l. Hose Thread (NHT)</b>			<b>Eastern Hose Thread</b>			<b>NY Corp. Thread</b>			<b>Quebec Standard Thread (QST)</b>		
.75	1.3750	8	.75	1.0781	11	1.5	2.093	11			
1	1.3750	8	1	1.4219	11	2	2.547	11	2.5	3.031	7
			1.25	1.6875	11.5	2.5	3.000	8	<b>Alberta Mutual Aid Thread (AMA)</b>		
1.5	1.9900	9	1.5	2.1250	11	<b>Chicago FD Thread</b>			2.5	2.990	8
			2	2.6719	7.5	1	1.375	8	<b>British Columbia (BCT)</b>		
2.5	3.0686	7.5	2.5	3.0000	8	1.5	1.933	11.5	2.5	3.000	8
3	3.6239	6	<b>Pacific Coast Thread</b>			2.5	2.990	7.5	<b>Western Canada Fire Underwriters Thread</b>		
3.5	4.2439	6	.75	1.0625	11	3.5	4.052	8			
4	5.000	4	1	1.3125	11.5	4	5.000	4			
4.5	5.7609	4	1.25	1.8600	11	4.5	5.7609	4	2.5	3.250	6
5	6.260	4	1.5	2.1000	11	5	6.260	4	<b>Buffalo, NY Thread</b>		
6	7.025	4	2	2.5500	10	<b>Chicago Hose Thread</b>			2.5	3.057	8
<b>Nat'l. Pipe Straight Hose Thread (NPSH)</b>			2.5	3.0350	7.5	.75	1.0810	11.5	<b>Cincinnati, OH Thread</b>		
			<b>FDNY Thread</b>			1	1.2951	11.5	2.5	3.058	6
.75	1.0353	14	1	1.660	8	1.25	1.7050	11.5	<b>Cleveland, OH &amp; Omaha, NE Thread</b>		
1	1.2951	11.5	1.5	2.100	8	1.5	1.9460	11.5			
1.25	1.6399	11.5	2	2.530	8	2	2.5220	8	2.5	3.0781	8
1.5	1.8788	11.5	2.5	3.030	8	2	3.0430	7	<b>Detroit, MI Thread</b>		
2	2.3528	11.5	3	3.630	8	<b>Standard Chemical Thread</b>			2.5	3.125	7.5
2.5	2.843	8	3.5	4.070	8	.75	1.375	8	<b>Pittsburgh, PA Thread</b>		
3	3.4700	8	4	4.610	8	<b>Canadian Standard Assoc. Thread (CSA)</b>			2.5	3.0625	6
3.5	3.9700	8	4.5	5.800	4				<b>Toledo, OH Thread</b>		
4	4.4700	8	<b>Underwriter Tip Thread</b>			1.5	1.8788	11.5	2.5	3.000	8
4.5	4.9700	8	1.5	2.1875	12	2.5	3.1250	5			

SUCTION HOSE THREADS					
Size	ODM	TPI	Size	ODM	TPI
<b>American LaFrance Thread</b>			<b>Seagrave Thread</b>		
			4.0	5.000	4
4.0	5.085	4	4.5	5.750	4
4.5	5.750	4	5	6.250	4
5	6.150	4	6	7.000	4
6	7.000	4	<b>Hale Fire Pump Thread</b>		
<b>Mack Thread</b>			4.0	5.000	4
4.0	4.999	4	4.5	5.7609	4
4.5	5.7609	4	5	6.250	4
5	6.230	4			
			<b>Ward LaFrance Thread</b>		
<b>Maxim Thread</b>			4.0	5.000	4
4.0	5.000	4	4.5	5.750	4
4.5	5.750	4	5	6.250	4
5	6.250	4	6	7.000	4
6	7.000	4	<b>Waterous Fire Pump Thread</b>		
<b>Pirsch Thread</b>			4.0	5.0109	4
4.0	5.000	4	4.5	5.7609	4
4.5	5.750	4	5	6.260	4
5	6.250	4			
6	7.000	4			

ABBREVIATION DEFINITIONS

ODM – outside diameter of male

TPI – threads per inch

THREAD DESIGNATIONS

**National Hose** – NH or NHT; also called National Standard Thread (NST)

**National Pipe Straight Hose** – NPSH; also called Straight Iron Pipe Thread (SIPT)

**National Pipe Thread** – NPT; also called Tapered Iron Pipe Thread (TIPT)

**British Standard Parallel Pipe** – BSPP

**British Standard Pipe Taper** – BSP

Please contact customer service to check availability of a specific thread on your product.

FLANGE SPECIFICATIONS							
ANSI Flange Size	2.5" 150#	3.0" 150#	3.0" 300#	4.0" 150#	4.0" 300#	6.0" 150#	6.0" 300#
Diam. of Flange	7.00"	7.50"	8.25"	9.00"	10.00"	11.00"	12.50"
Bolt Circle Diam.	5.50"	6.00"	6.625"	7.50"	7.875"	9.50"	10.625"
Bolt Hole Diam.	.750"	.750"	.875"	.750"	.875"	.875"	.875"
No. Bolt Holes	4	4	8	8	8	8	12
Bolt Diameter	.625"	.625"	.750"	.625"	.750"	.750"	.750"

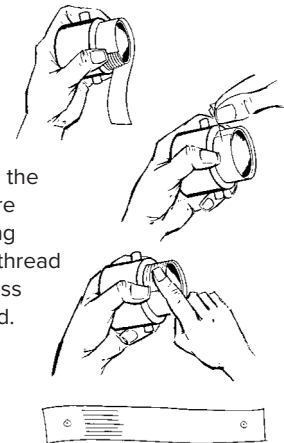
METHODS FOR DETERMINING THREAD DIMENSIONS

If Leaf Thread Gauge and Thread Caliper are not available; or sample cannot be sent, the following method may be used to obtain the needed information about threads.

- 1) Cut a strip of paper about 1" wide and long enough to completely encircle the male thread.
- 2) Wrap this paper snugly around the male thread making sure it is against the shoulder all the way around.

- 3) Pierce the paper with a pin at some point where the paper overlaps.
- 4) Press firmly against the threads with finger. This impression in the paper is used to determine the threads per inch.
- 5) Remove strip and circle pin holes with pencil.
- 6) The distance between the pin holes divided by 3.1416 equals the ODM (outside diameter of the male).

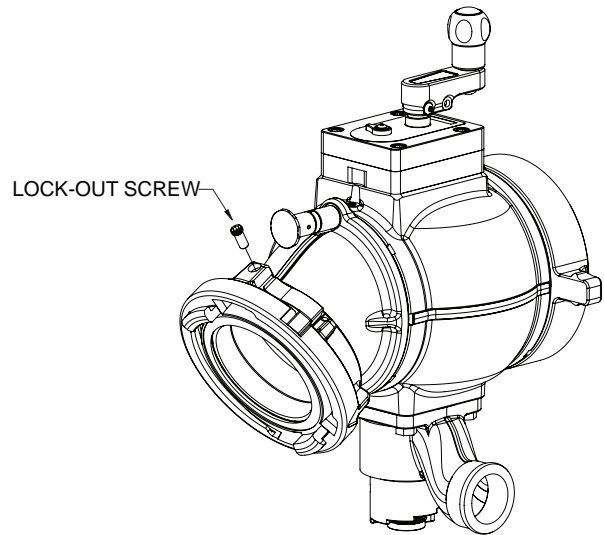
Both the ODM and the threads per inch are needed for ordering purposes. Unified thread form supplied unless otherwise specified.



**CHANGING STORZ COUPLING LOCK-OUT**

To change a Storz coupling from rigid to full-time swivel, use a 7/32" (5.5 mm) Allen driver to back out the lockout screw until the coupling moves freely.

To change a coupling from full-time swivel to rigid, rotate the coupling until the lockout screw is aligned with the lockout divot (location varies by product). Use a 7/32" (5.5 mm) Allen driver to tighten the lockout screw into the lockout divot.



**FLANGE SPECIFICATIONS**

FLANGE SPECIFICATIONS					
FITS FLANGE	OUTSIDE DIAMETER	THICKNESS	BOLT HOLE CIRCLE	NUMBER OF BOLTS	SIZE OF BOLTS
3" (75 mm) ANSI 125/150	7.50"	0.75"	6.00"	4	5/8"
4" (100 mm) ANSI 150 DN100 PN20	9.00" 229 mm	0.94" 24 mm	7.50" 190 mm	8 8	5/8" M16
DN80 PN16	200 mm	22 mm	160 mm	8	16 mm
DN100 PN16	220 mm	22 mm	180 mm	8	16 mm

**SMOOTHBORE DISCHARGE AND REACTION**

Gallons Per Minute (gpm) Pounds Reaction Force (Lbf)

**Smoothbore Nozzle Discharge and Reaction Chart**

Diameter	3/8"	1/2"	5/8"	3/4"	7/8"	15/16"	1"	1-1/8"	1-3/16"	1-1/4"	1-3/8"	1.5"	1-3/4"	2"	2-1/4"	2-1/2"	2-3/4"	
40	26	47	73	106	144	165	188	238	265	294	355	423	575	752	951	1174	1421	gpm
	9	16	25	35	48	55	63	79	89	98	119	141	192	251	318	393	475	L <sub>bf</sub>
45	28	50	78	112	153	175	199	252	281	311	377	448	610	797	1009	1246	1507	gpm
	10	18	28	40	54	62	71	89	100	110	134	159	216	283	358	442	534	L <sub>bf</sub>
50	30	53	82	118	161	185	210	266	296	328	397	473	643	840	1064	1313	1589	gpm
	11	20	31	44	60	69	79	99	111	123	148	177	240	314	397	491	594	L <sub>bf</sub>
55	31	55	86	124	169	194	220	279	311	344	417	496	675	881	1115	1377	1666	gpm
	12	22	34	49	66	76	86	109	122	135	163	194	264	345	437	540	653	L <sub>bf</sub>
60	32	58	90	129	176	202	230	291	324	360	435	518	705	921	1165	1438	1740	gpm
	13	24	37	53	72	83	94	119	133	147	178	212	288	377	477	589	712	L <sub>bf</sub>
65	34	60	94	135	183	211	240	303	338	374	453	539	734	958	1213	1497	1811	gpm
	14	26	40	57	78	90	102	129	144	159	193	230	313	408	517	638	772	L <sub>bf</sub>
70	35	62	97	140	190	218	249	315	350	388	470	559	761	994	1258	1554	1880	gpm
	15	27	43	62	84	97	110	139	155	172	208	247	337	440	556	687	831	L <sub>bf</sub>
75	36	64	101	145	197	226	257	326	363	402	486	579	788	1029	1303	1608	1946	gpm
	17	29	46	66	90	103	118	149	166	184	223	265	361	471	596	736	890	L <sub>bf</sub>
80	37	66	104	149	203	234	266	336	375	415	502	598	814	1063	1345	1661	2010	gpm
	18	31	49	71	96	110	126	159	177	196	237	283	385	502	636	785	950	L <sub>bf</sub>
85	39	68	107	154	210	241	274	347	386	428	518	616	839	1096	1387	1712	2071	gpm
	19	33	52	75	102	117	133	169	188	209	252	300	409	534	676	834	1009	L <sub>bf</sub>
90	40	70	110	159	216	248	282	357	397	440	533	634	863	1127	1427	1762	2132	gpm
	20	35	55	79	108	124	141	179	199	221	267	318	433	565	715	883	1069	L <sub>bf</sub>
95	41	72	113	163	222	255	290	366	408	452	547	652	887	1158	1466	1810	2190	gpm
	21	37	58	84	114	131	149	189	210	233	282	336	457	597	755	932	1128	L <sub>bf</sub>
100	42	74	116	167	227	261	297	376	419	464	562	668	910	1188	1504	1857	2247	gpm
	22	39	61	88	120	138	157	199	221	245	297	353	481	628	795	981	1187	L <sub>bf</sub>
105	43	76	119	171	233	268	304	385	429	476	576	685	932	1218	1541	1903	2302	gpm
	23	41	64	93	126	145	165	209	232	258	312	371	505	659	835	1030	1247	L <sub>bf</sub>
110	44	78	122	175	239	274	312	394	439	487	589	701	954	1246	1577	1948	2356	gpm
	24	43	67	97	132	152	173	219	244	270	327	389	529	691	874	1079	1306	L <sub>bf</sub>
115	45	80	124	179	244	280	319	403	449	498	602	717	976	1274	1613	1991	2409	gpm
	25	45	71	102	138	159	181	229	255	282	341	406	553	722	914	1128	1365	L <sub>bf</sub>
120	46	81	127	183	249	286	325	412	459	509	615	732	997	1302	1648	2034	2461	gpm
	26	47	74	106	144	166	188	238	266	294	356	424	577	754	954	1178	1425	L <sub>bf</sub>
125	47	83	130	187	254	292	332	420	468	519	628	747	1017	1329	1682	2076	2512	gpm
	28	49	77	110	150	172	196	248	277	307	371	442	601	785	994	1227	1484	L <sub>bf</sub>
130	48	85	132	191	259	298	339	429	478	529	640	762	1037	1355	1715	2117	2562	gpm
	29	51	80	115	156	179	204	258	288	319	386	459	625	816	1033	1276	1544	L <sub>bf</sub>
135	49	86	135	194	264	303	345	437	487	539	653	777	1057	1381	1748	2157	2611	gpm
	30	53	83	119	162	186	212	268	299	331	401	477	649	848	1073	1325	1603	L <sub>bf</sub>
140	49	88	137	198	269	309	352	445	496	549	665	791	1077	1406	1780	2197	2658	gpm
	31	55	86	124	168	193	220	278	310	343	416	495	673	879	1113	1374	1662	L <sub>bf</sub>
145	50	89	140	201	274	314	358	453	504	559	676	805	1096	1431	1811	2236	2706	gpm
	32	57	89	128	174	200	228	288	321	356	430	512	697	911	1152	1423	1722	L <sub>bf</sub>
150	51	91	142	205	279	320	364	461	513	569	688	819	1114	1455	1842	2274	2752	gpm
	33	59	92	132	180	207	236	298	332	368	445	530	721	942	1192	1472	1781	L <sub>bf</sub>
175	55	98	154	221	301	345	393	497	554	614	743	884	1204	1572	1990	2456	2972	gpm
	39	69	107	155	210	241	275	348	387	429	519	618	841	1099	1391	1717	2078	L <sub>bf</sub>
200	59	105	164	236	322	369	420	532	592	657	794	945	1287	1681	2127	2626	3177	gpm
	44	79	123	177	240	276	314	397	443	491	594	707	962	1256	1590	1963	2375	L <sub>bf</sub>

NOZZLE PRESSURE PSI (Measured With Pitot Gauge.)

National Fire Protection Association (NFPA) Fire Protection Handbook - 17th Edition  
 International Fire Service Training Association (IFSTA) Fire Protection Publications -  
 Fire Stream Practices - 7th Edition  
 Nozzle Pressure Measured With Pitot Gauge, Reaction Force Measured In Pounds

Smoothbore Reaction Formula:  $NR = 1.57D^2 NP$   
 Smoothbore Discharge Formula:  $Gpm = 29.7D^2 \sqrt{NP}$   
 D = Bore Diameter in inches NP = Nozzle Pressure in PSI

**FLOW INFORMATION**

CRITICAL APPLICATION RATES					
COMMON ITEMS	AREA IN SQ FT (LXW)	INVOLVEMENT			
		100%	75%	50%	25%
Dumpster	24 (6x4)	8	6	4	2
Car Fire	‡ Full Size	150	150	150	150
Bedroom	225 (15x15)	75	56	38	19
Living Room	300 (15x20)	100	75	50	25
Multiple Bedrooms (2)	450 (15x15)x2	150	113	75	38
Detached Garage	574 (24x24)	192	144	96	48
Mobile Home (house trailer)	980 (14x70)	327	245	164	82
Tax Payer First Floor (downtown store front)	1000 (20x50)	333	250	167	83
Small Ranch House	1125 (45x25)	375	281	188	94
Large 2 Story House (1 Floor)	1600 (40x40)	533	400	267	133
Large 2 Story House (2 Floors)	3200 (40x40)x2	1,066	800	533	267
Pole Barn	3000 (40x50)x1.5*	1,000	750	500	250
Warehouse	40,000 (100x200)x2*	13,333	10,000	6,667	3,333
* Additional Height Factor		<b>Gpm FLOW REQUIRED</b>			

See TFT's New SHO-FLOW App found in the Flow Test section of the catalog.

Quick fireground formula: NFA, National Fire Academy water application rates for room & contents.

$$\frac{L \times W}{3} = \text{Gpm}$$

L = Length in feet

W = Width in feet

Gpm = Water flow rate required to black out the fire in approximately ten seconds, when properly applied.

This assumes approximate standard combustible contents and heights of 10 feet per story. Adjust for % of involvement, and number of stories involved. Be prepared to increase flow to match 100% involvement, if necessary. Add 25% for exposures.

‡ Suggested minimum application for a car fire is 150 gpm, due to fuel hazards involved.

This water application chart has been designed to provide a quick means of calculating an approximation of the initial flow rates needed. Actual flow rates required will vary depending on the conditions at the scene. This water application chart is not designed to, nor can it, provide the user with the definitive requirements to address a particular fire fighting situation. The selection of application devices and application methods for the fire hazard being addressed is the responsibility of the fire fighting professional.

Ref: IFSTA Fire Protection Publications Fire Stream Practices 7th Edition.

PUMP DISCHARGE PRESSURE CHARTS													
1.75" Hose Flow (Gpm)	75 PSI Nozzle Pressure Length Of Hose			100 PSI Nozzle Pressure Length Of Hose			2.50" Hose Flow (Gpm)	75 PSI Nozzle Pressure Length Of Hose			100 PSI Nozzle Pressure Length Of Hose		
	150 FT (PSI)	200 FT (PSI)	250 FT (PSI)	150 FT (PSI)	200 FT (PSI)	250 FT (PSI)		150 FT (PSI)	200 FT (PSI)	250 FT (PSI)	150 FT (PSI)	200 FT (PSI)	250 FT (PSI)
	60	83	86	89	108	111		114	60	76	76	77	101
95	96	103	110	121	128	135	95	78	79	80	103	104	105
125	111	123	136	136	148	161	125	80	81	83	105	106	108
150	127	145	162	152	170	187	150	82	84	86	107	109	111
175	146	170	194	171	195	219	175	84	87	90	109	112	115
200	168	199	230	193	224	255	200	87	91	95	112	116	120
225	193	232	271	218	257	296	225	90	95	100	115	120	125
250	220	269	—	245	294	—	250	94	100	106	119	125	131
275	251	—	—	276	—	—	275	98	105	113	123	130	138
300	—	—	—	—	—	—	300	102	111	120	127	136	145
325	—	—	—	—	—	—	325	107	117	128	132	142	153
350	—	—	—	—	—	—	350	112	124	136	137	149	161

**NOTE:** Flows may vary with brand or condition of hose. Flows are approximate and do not reflect losses in preconnect piping.

Use TFT's New Sho-Flow for accurate, real-time results.

**Formula Used: PDP = NP + FL**

PDP = Pump Discharge Pressure

NP = Nozzle Pressure

FL = Friction Loss

FL = CQ<sup>2</sup>L

C for 1.75" Hose = 15.5

C for 2.50" Hose = 2

Q Flow Rate in Hundreds of Gpm

L Length of Hose in Hundreds of Feet

**HYDRANT DISCHARGE**

**See TFT's New SHO-FLOW App  
in the Flow Test section.**

DISCHARGE FOR HYDRANT OUTLETS									
Outlet Pressure (lbs.)	Outlet Diameter				Outlet Pressure (lbs.)	Outlet Diameter			
	2.5"	3.0"	4.0"	4.5"		2.5"	3.0"	4.0"	4.5"
	U.S. Gallons per Minute					U.S. Gallons per Minute			
1	170	240	430	540	16	670	970	1720	2180
2	240	340	610	770	17	690	1000	1770	2240
3	290	420	740	940	18	710	1030	1820	2310
4	340	480	860	1090	19	730	1050	1870	2370
5	380	540	960	1220	20	750	1080	1920	2430
6	410	590	1050	1340	22	790	1130	2020	2550
7	440	640	1140	1440	24	820	1180	2110	2660
8	480	680	1220	1540	26	860	1230	2190	2770
9	500	730	1290	1640	28	890	1280	2280	2880
10	530	760	1360	1730	30	920	1320	2350	2980
11	560	800	1430	1810	32	950	1370	2430	3080
12	580	840	1490	1890	34	980	1410	2510	3170
13	610	870	1550	1960	36	1010	1450	2580	3260
14	630	900	1610	2040	38	1040	1490	2650	3350
15	650	940	1660	2110	40	1060	1530	2720	3440

**HYDRANT DISCHARGE FORMULA**

To obtain the flow from hydrant outlets use the same formula as given for smoothbore nozzles but use the factor "C" equal to 0.90. Every Fire Department should check the flow from their hydrants. This can be done simply and easily using only a cap with a pressure gauge attached. Merely place the gauge on one outlet, open the hydrant and read the gauge. Remove another cap, open the hydrant and read the gauge again and obtain the gallons per minute using the above method or from the discharge table for hydrant outlets. Obtain the maximum amount of water available from the discharge table for hydrant outlets. Then to obtain the maximum amount of water available from the hydrant in gallons per minute with a residual of 10 lbs. (which is the lowest you should draw down the pressure on the hydrant) use the following formula.

$$A = \frac{B \times \sqrt{P1-10}}{\sqrt{P1-P2}}$$

Where: A = Gallons per minute available at 10 lbs residual.

B = Gallons per minute obtained.

P1 = Static pressure on hydrant with no water flowing.

P2 = Residual pressure on hydrant with water flowing.

**DEFINITIONS OF COMMON PRESSURE TERMS**

**Static or Sidewall Pressure:** "Static" means not moving. Static Pressure can be the pressure on a hydrant while it is not flowing. It can also be the pressure measured at a small hole though the side of a pipe –even if there is flow going though the pipe. Since there is no flow going into the small hole this is another measure of static pressure. Pressure measured though a small hole in the side of a pipe is also known as Sidewall Pressure.

**Dynamic Pressure:** Dynamic Pressure is pressure caused by the fluid's velocity. In mathematical terms the Dynamic Pressure varies with the velocity squared. So doubling the velocity increases the Dynamic Pressure by four (2 squared equals 4). A pitot tube can be used to measure Dynamic Pressure. A pitot tube is a special device that measures Total and Static Pressures simultaneously. The Dynamic Pressure equals the Total Pressure minus the Static Pressure.

**Total Pressure:** Total Pressure is the Dynamic Pressure added to the Static Pressure. The Total Pressure can be measured with a "stagnation tube". A stagnation tube is a curved piece of tubing with a pressure gauge. Total Pressure is measured

by orienting the tubing so it's opening is impacted squarely by the fluid flow. A Stagnation Tube is often called a Pitot Tube in the fire service and is used to measure the Total Pressure at a nozzle's outlet. Since the stream exiting a nozzle has zero Static (or Sidewall) Pressure, a Stagnation Tube in the exit stream gives the Total Pressure.

**Residual Pressure:** Residual Pressure is the static (or sidewall) pressure at a location while a system is flowing. Due to Friction Loss, the residual pressure decreases as flow increases.

**Friction Loss:** Friction loss is the amount of pressure difference between two points while flowing. It is determined by comparing the Total Pressure between the two points. For example: A device with a Total Pressure of 120 psi at the inlet and a Total Pressure of 95 psi at the outlet while flowing 1000 gpm. The device's Friction Loss would be 25 psi at 1000 gpm. The Friction Loss varies with the square of the flow. So doubling the flow yields four times the friction loss.

**Operating Pressure:** Operating Pressure is the Static (or Sidewall) pressure in a device during use.

**STANDARDS REFERENCED IN THE CATALOG**

NFPA 1962 (2018) - Standard for the Care, Use, Inspection, Service Testing and Replacement of Fire Hose, Couplings, Nozzles, and Fire Hose Appliances.

NFPA 1963 (2019)- Standard for Fire Hose Connections

NFPA 1964 (2018)- Standard for Spray Nozzles and Appliances

NFPA 1900 (2024)- Standard for Aircraft Rescue and Firefighting Vehicles, Automotive Fire Apparatus, Wildland Fire Apparatus, and Automotive Ambulances

ISO 228-1: 2000- Pipe Threads where Pressure-Tight Joints are Not Made on Threads- Part 1: Dimensions, Tolerances and Design

ISO 228-2: 1987- Pipe Threads where Pressure-Tight Joints are Not Made on Threads- Part 2: Verification by Means of Limit Gauges

ANSI/ASME B1.20.1-2013 (R2018)- Pipe Threads, General Purpose (inch)

**CE- Refers to the following:**

IEC 61000-6-3 (2011) General Standards- Emission Standard for Residential, Commercial and Light Industrial Environments

IEC 61000-6-2 (2016) Generic Standards- Immunity for Industrial Environments

**METRIC CONVERSIONS**

**LIQUID VOLUME**

To Convert	Into	Multiply by
Ounces (oz)	Milliliters (ml)	29.57
Pints (pt)	Liters (l)	0.4732
Quarts (qt)	Liters (l)	0.9464
Gallons (gal)	Liters (l)	3.785
Milliliters (ml)	Ounces (oz)	0.0338
Liters (l)	Pints (pt)	2.113
Liters (l)	Quarts (qt)	1.057
Liters (l)	Gallons (gal)	0.2642

**SOLID VOLUME - WEIGHT**

To Convert	Into	Multiply by
Ounces (oz)	Grams (g)	28.3495
Pounds (lb)	Kilograms (kg)	0.4536
Grams (g)	Ounces (oz)	0.035
Kilograms (kg)	Pounds (lb)	2.205

**PRESSURE**

To Convert	Into	Multiply by
Pounds per square inch (psi)	Kilopascals (kPa)	6.895
Pounds per square inch (psi)	bar	0.06895
Kilopascals (kPa)	Pounds per square inch (psi)	0.145
Kilopascals (kPa)	bar	0.01
bar	Pounds per square inch (psi)	14.503
bar	Kilopascals (kPa)	100.00

**LENGTH**

To Convert	Into	Multiply by
Inches (in)	Millimeters (mm)	25.4
Inches (in)	Centimeters (cm)	2.54
Feet (ft)	Centimeters (cm)	30.48
Yards (yd)	Meters (m)	0.9144
Miles (mi)	Kilometers (km)	1.609
Millimeters (mm)	Inches (in)	0.039
Centimeters (cm)	Inches (in)	0.394
Meters (m)	Yards (yd)	1.0936
Kilometers (km)	Miles (mi)	0.6214

**AREA**

To Convert	Into	Multiply by
Square inches (sq in)	Square Centimeters (cm <sup>2</sup> )	6.452
Square feet (sq ft)	Square Meters (m <sup>2</sup> )	0.093
Square Yards (sq yd)	Square Meters (m <sup>2</sup> )	0.836
Square Miles (sq mi)	Square Kilometers (km <sup>2</sup> )	2.59
Square Centimeters (cm <sup>2</sup> )	Square inches (sq in)	0.155
Square Meters (m <sup>2</sup> )	Square feet (sq ft)	1.196
Square Kilometers (km <sup>2</sup> )	Square Yards (sq yd)	0.386

**TIP SIZES**

3/4" Tip = 19 mm	1.5" Tip = 38 mm
7/8" Tip = 22 mm	1-3/4" Tip = 45 mm
1" Tip = 25 mm	2" Tip = 52 mm
1-1/8" Tip = 29 mm	2-1/4" Tip = 57 mm
1-1/4" Tip = 32 mm	2-1/2" Tip = 65 mm
1-3/8" Tip = 35 mm	3" Tip = 75 mm

**HOSE SIZES**

1" Hose = 25 mm	4" Hose = 100 mm
1.5" Hose = 38 mm	4.5" Hose = 114 mm
1.75" Hose = 45 mm	5" Hose = 125 mm
2" Hose = 52 mm	6" Hose = 150 mm
2.5" Hose = 65 mm	8" Hose = 200 mm
3" Hose = 75 mm	
3.5" Hose = 90 mm	

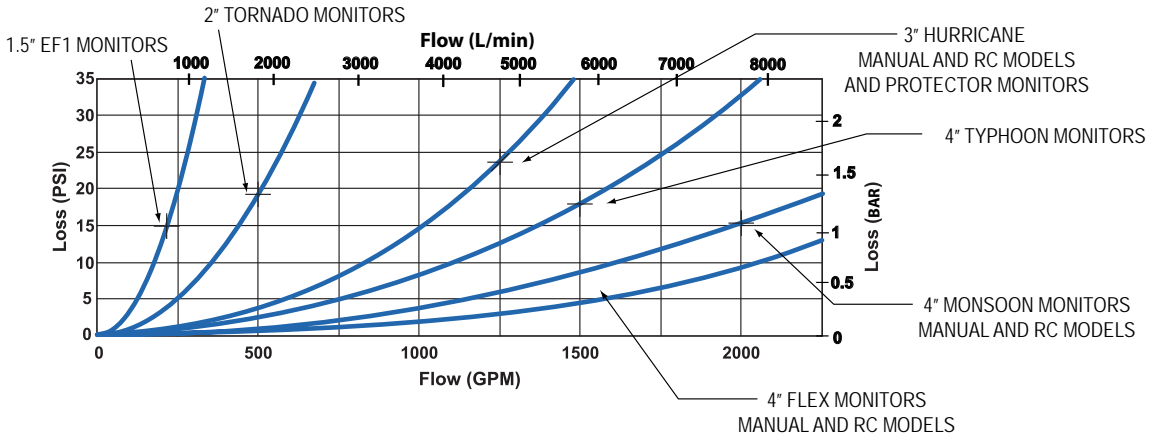
**PRESSURES**

50 psi = 345 kPa = 3.45 bar	300 psi = 2069 kPa = 20.69 bar
60 psi = 414 kPa = 4.14 bar	350 psi = 2413 kPa = 24.13 bar
70 psi = 488 kPa = 4.88 bar	400 psi = 2758 kPa = 27.58 bar
75 psi = 517 kPa = 5.17 bar	450 psi = 3103 kPa = 31.03 bar
80 psi = 552 kPa = 5.52 bar	500 psi = 3448 kPa = 34.48 bar
90 psi = 621 kPa = 6.21 bar	550 psi = 3792 kPa = 37.92 bar
100 psi = 690 kPa = 6.90 bar	600 psi = 4137 kPa = 41.37 bar
150 psi = 1034 kPa = 10.34 bar	650 psi = 4482 kPa = 44.82 bar
200 psi = 1379 kPa = 13.79 bar	700 psi = 4827 kPa = 48.27 bar
250 psi = 1723 kPa = 17.23 bar	

**FLOW RATE**

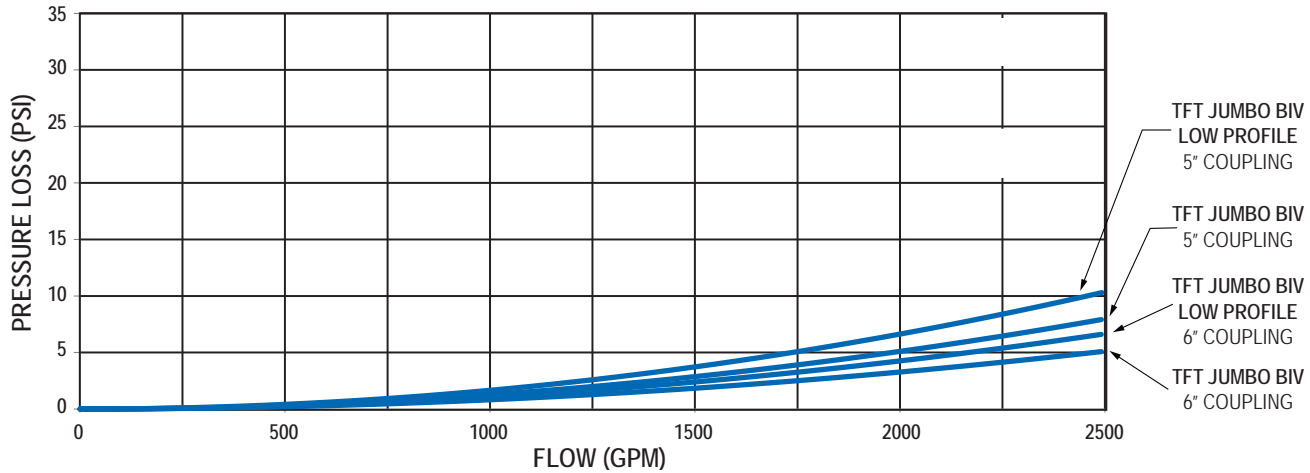
12 gpm = 45.42 l/min	= 45 l/min
13 gpm = 49.20 l/min	= 50 l/min
20 gpm = 75.70 l/min	= 75 l/min
23 gpm = 87.06 l/min	= 90 l/min
25 gpm = 94.62 l/min	= 95 l/min
30 gpm = 113.55 l/min	= 115 l/min
40 gpm = 151.40 l/min	= 150 l/min
50 gpm = 189.25 l/min	= 190 l/min
55 gpm = 208.18 l/min	= 210 l/min
60 gpm = 227.10 l/min	= 230 l/min
70 gpm = 264.95 l/min	= 265 l/min
75 gpm = 283.88 l/min	= 285 l/min
85 gpm = 321.73 l/min	= 320 l/min
95 gpm = 359.58 l/min	= 360 l/min
100 gpm = 378.50 l/min	= 380 l/min
120 gpm = 454.20 l/min	= 460 l/min
125 gpm = 473.13 l/min	= 475 l/min
150 gpm = 567.75 l/min	= 550 l/min
175 gpm = 662.38 l/min	= 660 l/min
200 gpm = 757.00 l/min	= 750 l/min
250 gpm = 946.25 l/min	= 950 l/min
300 gpm = 1135.50 l/min	= 1140 l/min
350 gpm = 1324.75 l/min	= 1325 l/min
375 gpm = 1419.38 l/min	= 1420 l/min
400 gpm = 1514.00 l/min	= 1525 l/min
450 gpm = 1703.25 l/min	= 1700 l/min
500 gpm = 1892.50 l/min	= 1900 l/min
700 gpm = 2649.50 l/min	= 2660 l/min
750 gpm = 2838.75 l/min	= 2900 l/min
800 gpm = 3028.00 l/min	= 3030 l/min
1000 gpm = 3785.00 l/min	= 3800 l/min
1200 gpm = 4542.00 l/min	= 4500 l/min
1250 gpm = 4731.25 l/min	= 4800 l/min
1500 gpm = 5677.50 l/min	= 6000 l/min
2000 gpm = 7570.00 l/min	= 7600 l/min

**MONITOR PRESSURE LOSS**

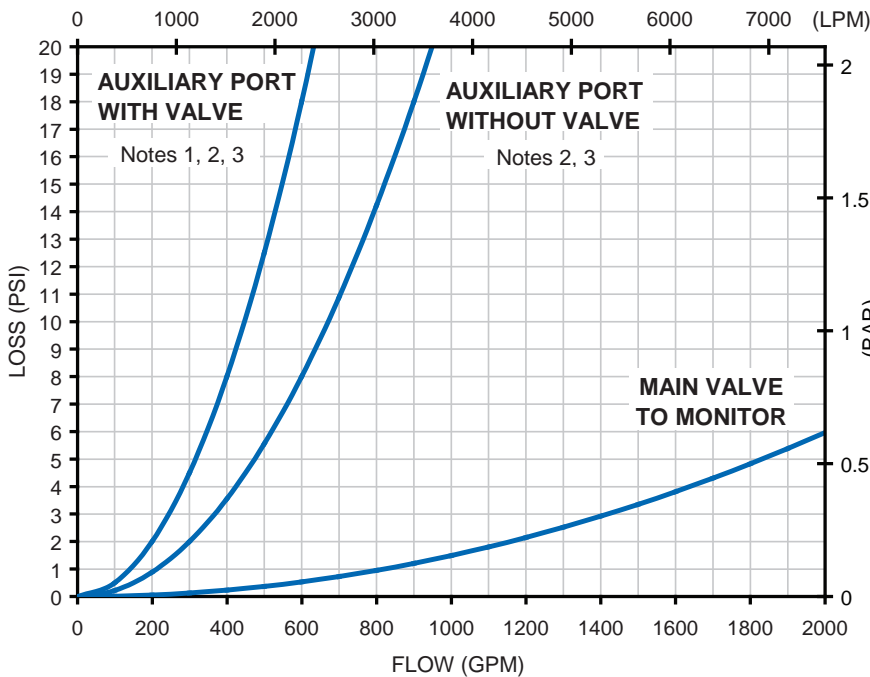


**BIV BALL INTAKE VALVE PRESSURE LOSS**

BIV PRESSURE LOSS



**VUM VALVE UNDER MONITOR PRESSURE LOSS**



**NOTES:**

- 1) Curve represents auxiliary port options 2 and 3 (gated elbows). Pressure loss for auxiliary port option 4 (straight hydrant valve) is about 15% less than indicated.
- 2) When valve to monitor is open, pressure loss through auxiliary ports C3 and C4 may be up to 50% greater than indicated. Auxiliary ports C1 and C2 are not affected by this condition.
- 3) Extension pipes (auxiliary port options B through H) do not add significant pressure loss.



**ITEM NUMBER INDEX**

<b>A</b>					
A01BF .....	257	A3813 .....	262	AA1ST-TT .....	249
A01HNR .....	257	A3815 .....	262	AA1SX-BX.....	250
A01HNT .....	257	A3820 .....	262	AA1SX-NP.....	249
A01HNX .....	257	A3830 .....	239	AA1SX-NR.....	249
A01ID .....	257	A3831 .....	239	AA1SX-NT.....	250
A01IF.....	257	A3835 .....	262	AA1SX-NX.....	250
A01IF-PA .....	258	A3840 .....	262	AA1SX-TT.....	250
A01ND.....	257	A3842 .....	262	AA1SX-TX.....	250
A01NF .....	257	A3843 .....	262	AA2SF-IF .....	251
A01NF-PA.....	258	A3845 .....	262	AA2SJ-NJ.....	251
A01NJ .....	257	A3850 .....	262	AA2SL-NJ.....	251
A01NJ-IF .....	258	A4178-KIT .....	264	AA2SP-IL.....	251
A01NJ-NF.....	258	A4179-KIT .....	264	AA2SP-NJ.....	251
A01NJ-PA.....	258	A4215-KIT .....	264	AA2SP-NL.....	251
A01NP.....	257	A4216-KIT .....	264	AA2SP-NP.....	251
A01NR.....	257	A4220-KIT .....	264	AA2SP-NR.....	251
A01NT.....	257	A4221-KIT .....	264	AA2SP-NT.....	251
A01NX.....	257	A4273 .....	264	AA2SP-NX.....	251
A01SP.....	258	A4274 .....	264	AA2SP-TL.....	251
A01SP-PA.....	258	AA1HSP-NP.....	250	AA2SP-TP.....	251
A01ST.....	258	AA1HSP-NR.....	250	AA2ST-IL.....	251
A01ST-PA.....	258	AA1HSP-NX.....	250	AA2ST-IP.....	251
A01SX.....	258	AA1HST-IP.....	250	AA2ST-IT.....	251
A02HNX.....	215	AA1HST-IX.....	250	AA2ST-NF.....	251
A02NJ.....	215	AA1HST-NP.....	250	AA2ST-NJ.....	251
A03HNX-JET-F.....	216	AA1HST-NR.....	250	AA2ST-NP.....	251
A03HNXJETFIF.....	216	AA1HST-NT.....	250	AA2ST-NR.....	251
A03SP-JETFIF.....	216	AA1HST-NX.....	250	AA2ST-NT.....	251
A03ST-JET-F.....	216	AA1HSX-IX.....	250	AA2ST-NX.....	251
A04NP-ST.....	259	AA1HSX-NT.....	250	AA2ST-TJ.....	251
A04NR-ST.....	259	AA1HSX-NX.....	250	AA2ST-TP.....	251
A04NR-SX.....	259	AA1SF-IF.....	249	AA2ST-TX.....	251
A04TT-ST.....	259	AA1SJ-NJ.....	249	AA2SX-NJ.....	251
A05BJ.....	258	AA1SJ-TJ.....	249	AA2SX-NR.....	251
A05IF.....	258	AA1SL-NJ.....	249	AA2SX-NX.....	251
A05IJ.....	258	AA1SP-IL.....	249	AA3SJ-NJ.....	252
A05NF.....	258	AA1SP-NJ.....	249	AA3ST-NJ.....	252
A05NJ.....	258	AA1SP-NL.....	249	AA4SJ-SF.....	252
A06HNX.....	215	AA1SP-NP.....	249	AA4SP-SL.....	252
A06ST.....	215	AA1SP-NR.....	249	AA4ST-SL.....	252
A1082-CRK.....	264	AA1SP-NT.....	249	AA4ST-SP.....	252
A1082-KIT.....	264	AA1SP-NX.....	249	AA4SX-SP.....	252
A1410-KIT.....	264	AA1SP-TP.....	249	AA4SX-ST.....	252
A1520-CRK.....	264	AA1SP-TT.....	249	AA5BF-ND.....	243
A1520-KIT.....	264	AA1ST-IJ.....	249	AA5BF-NF.....	244
A1621-KIT.....	264, 265	AA1ST-IL.....	249	AA5BJ-NF.....	244
A1633-KIT.....	264	AA1ST-IP.....	249	AA5BJ-NJ.....	244
A1810.....	181	AA1ST-IT.....	249	AA5BP-BP.....	245
A1820.....	181	AA1ST-IX.....	249	AA5GHT-ND.....	243
A1831.....	181	AA1ST-NJ.....	249	AA5HIX-NT.....	246
A1850.....	181	AA1ST-NL.....	249	AA5HNP-NJ.....	246
A1860.....	181	AA1ST-NP.....	249	AA5HNP-NR.....	246
A3090.....	262	AA1ST-NR.....	249	AA5HNR-NX.....	246
A3095-25.....	262	AA1ST-NT.....	249	AA5HNT-NX.....	246
A3800.....	262	AA1ST-NX.....	249	AA5HNX-IP.....	246
A3810.....	262	AA1ST-TL.....	249	AA5HNX-NJ.....	246
		AA1ST-TP.....	249	AA5HNX-NR.....	246
				AA5HNX-NT.....	246
				AA5HNX-TX.....	246
				AA5HTP-NR.....	246
				AA5ID-GHT.....	243
				AA5ID-IF.....	243
				AA5ID-ND.....	243
				AA5ID-NF.....	243
				AA5ID-TD.....	243
				AA5IF-GHT.....	243
				AA5IF-ID.....	243
				AA5IF-ND.....	243
				AA5IF-NF.....	244
				AA5IF-NJ.....	244
				AA5IF-TF.....	244
				AA5IH-NF.....	244
				AA5IJ-IF.....	244
				AA5IJ-IX.....	245
				AA5IJ-NJ.....	244
				AA5IJ-TF.....	244
				AA5IL-IX.....	245
				AA5IL-NJ.....	245
				AA5IL-NP.....	245
				AA5IP-NJ.....	245
				AA5IP-NP.....	245
				AA5IP-NX.....	245
				AA5IR-NT.....	245
				AA5ND-BD.....	243
				AA5ND-GHT.....	243
				AA5ND-ID.....	243
				AA5ND-NF.....	243
				AA5NF-BJ.....	244
				AA5NF-GHT.....	243
				AA5NF-ID.....	243
				AA5NF-IF.....	244
				AA5NF-ND.....	243
				AA5NF-NJ.....	244
				AA5NF-TF.....	244
				AA5NJ-GHT.....	244
				AA5NJ-IF.....	244
				AA5NJ-IJ.....	244
				AA5NJ-ND.....	244
				AA5NJ-NF.....	244
				AA5NJ-NL.....	244
				AA5NJ-NR.....	245
				AA5NJ-TD.....	244
				AA5NJ-TF.....	244
				AA5NJ-TH.....	244
				AA5NJ-TJ.....	244
				AA5NJ-TL.....	244
				AA5NL-NJ.....	245
				AA5NN-NJ.....	245
				AA5NP-NJ.....	245
				AA5NP-NP.....	245
				AA5NP-NR.....	245
				AA5NP-NT.....	245
				AA5NP-NX.....	245
				AA5NP-TJ.....	245

**ITEM NUMBER INDEX**

AA5NP-TP.....	245	AA6TD-ND.....	247	AA12HSP-NT.....	252	AJ1ST-NX.....	256
AA5NR-NJ.....	245	AA6TF-TF.....	247	AA12HSP-NX.....	252	AJ1SX-NX.....	256
AA5NR-NP.....	245	AA6TH-IF.....	247	AA12HST-IP.....	252	AJ7NP-NX.....	256
AA5NR-NT.....	245	AA6TH-NF.....	247	AA12HST-NP.....	252	AJ8NX-NX.....	256
AA5NR-NX.....	245	AA6TH-TF.....	247	AA12HST-NR.....	252	AKE111111D.....	187
AA5NR-TP.....	245	AA6TJ-NF.....	247	AA12HST-NX.....	252	AKE111113D.....	187
AA5NT-NX.....	245	AA6TL-NJ.....	248	AA12SP-NJ.....	252	AKE112111D.....	187
AA5NX-NP.....	245	AA7BF-BF.....	242	AA12SP-NR.....	252	AKE112113D.....	187
AA5NX-NR.....	245	AA7BJ-BJ.....	242	AA12SP-NX.....	252	AKE121118D.....	187
AA5NX-NT.....	245	AA7HNX-IP.....	242	AA12ST-NJ.....	252	AKE131111D.....	187
AA5NX-NX.....	245	AA7HNX-NP.....	242	AA12ST-NP.....	252	AKE131447D.....	187
AA5TD-ID.....	243	AA7HNX-NR.....	242	AA12ST-NR.....	252	AKM1V718CD.....	187
AA5TD-ND.....	243	AA7HNX-NT.....	242	AA12ST-NT.....	252	AKM1V4471D.....	187
AA5TD-NF.....	243	AA7HNX-NX.....	242	AA12ST-NX.....	252	AKM11B181D.....	187
AA5TF-IF.....	244	AA7ID-ID.....	242	ABD3SP-NX.....	235	AKM11G47HD.....	187
AA5TF-NF.....	244	AA7IF-IF.....	242	ABD3ST-NX.....	235	AKM13B181D.....	187
AA5TH-IF.....	244	AA7IJ-IF.....	242	ABD8NX-NX.....	235	AKM11111CD.....	187
AA5TH-NF.....	244	AA7IL-NJ.....	243	A-DISP.....	172	AKM11718CD.....	187
AA5TH-NJ.....	244	AA7ND-ND.....	242	AH2ST-NJ.....	254	AKM13111CD.....	187
AA5TH-TF.....	244	AA7NF-IF.....	242	AH3HSP-NP.....	255	AKM111113D.....	187
AA5TH-TJ.....	244	AA7NF-NF.....	242	AH3HSP-NT.....	255	AKM112111D.....	187
AA5TJ-IF.....	244	AA7NJ-BJ.....	242	AH3HSP-NX.....	255	AKM112181D.....	187
AA5TJ-NJ.....	244	AA7NJ-IF.....	242	AH3HST-IX.....	255	AKM112183D.....	187
AA5TL-NJ.....	245	AA7NJ-IJ.....	242	AH3HST-NP.....	255	AKM121118D.....	187
AA5TL-TJ.....	245	AA7NJ-NF.....	242	AH3HST-NR.....	255	AKM128111D.....	187
AA5TP-NJ.....	245	AA7NJ-NJ.....	242	AH3HST-NT.....	255	AKM132111D.....	187
AA5TP-NP.....	245	AA7NJ-TJ.....	242	AH3HST-NX.....	255	AKM132113D.....	187
AA5TP-NR.....	245	AA7NL-NJ.....	243	AH3HSX-NX.....	255	AKP111113D.....	187
AA5TP-NT.....	245	AA7NP-NJ.....	243	AH3SP-IL.....	255	AKP112111D.....	187
AA5TT-NX.....	245	AA7NP-NL.....	243	AH3SP-NJ.....	255	AKP131113D.....	187
AA5TX-NT.....	245	AA7NP-NP.....	243	AH3SP-NL.....	255	AKP131141D.....	187
AA6BD-BD.....	247	AA7NP-TP.....	243	AH3SP-NP.....	255	AKP134114D.....	187
AA6BF-BF.....	247	AA7NR-NP.....	243	AH3SP-NR.....	255	AL12T2T1.....	209
AA6BF-NF.....	247	AA7NX-NP.....	243	AH3SP-NT.....	255	AL22P2P0.....	207
AA6ID-ID.....	247	AA7NX-NX.....	243	AH3SP-NX.....	255	AL22T2T0.....	207
AA6IF-IF.....	247	AA7TL-NJ.....	243	AH3SP-TL.....	255	AL22X2X0.....	207
AA6IF-NF.....	247	AA7TP-NJ.....	243	AH3SP-TP.....	255	AL32P1.....	210
AA6IF-TF.....	247	AA9FX.....	261	AH3ST-NJ.....	255	AL32T0.....	210
AA6IH-TF.....	247	AA9FX-HNX-F.....	261	AH3ST-NL.....	255	AL32T1.....	210
AA6IL-NJ.....	248	AA9FX-IX.....	261	AH3ST-NP.....	255	AL42T0.....	211
AA6IX-IX.....	248	AA9FX-NX.....	261	AH3ST-NR.....	255	AL42T1.....	211
AA6ND-BD.....	247	AA10IF-TH.....	242	AH3ST-NT.....	255	AL42T1-DSC*.....	211
AA6ND-ND.....	247	AA10NF-TH.....	242	AH3ST-NX.....	255	AL72T0.....	210
AA6NF-NF.....	247	AA10NJ-TH.....	242	AH3ST-TP.....	255	AL92P2P3-SC.....	212
AA6NF-TF.....	247	AA11HNX-TX.....	247	AH3ST-TT.....	255	AL92T2T3-SC.....	212
AA6NJ-IF.....	247	AA11IF-TF.....	246	AH3ST-TX.....	255	AN1P1P02.....	214
AA6NJ-IJ.....	248	AA11IH-TH.....	246	AH3SX-NT.....	255	AN1T1T02.....	214
AA6NJ-NF.....	247	AA11NF-NJ.....	246	AH4SP-SP.....	254	AN3P7P02.....	214
AA6NJ-NJ.....	248	AA11NF-TF.....	246	AH4ST-SP.....	254	AN3R1T02.....	214
AA6NJ-TF.....	247	AA11NF-TH.....	246	AH4ST-ST.....	254	AN5R1P02.....	214
AA6NJ-TH.....	247	AA11NJ-NF.....	246	AH5HNX-NX.....	253	AN5R1T02.....	214
AA6NJ-TJ.....	248	AA11NJ-NL.....	246	AH5NJ-NJ.....	253	AP1ST-NX.....	194
AA6NP-BP.....	248	AA11NJ-TJ.....	246	AH5NR-NR.....	253	AP1ST-NX-PS.....	194
AA6NP-NN.....	248	AA11NJ-TL.....	246	AH7HNR-NP.....	253	AP8NX-NX.....	194
AA6NP-NP.....	248	AA11NJ-TP.....	246	AH7HNX-NR.....	253	AP8NX-NX-PS.....	194
AA6NR-NR.....	248	AA11TJ-NJ.....	246	AJ1SP-NX.....	256	AP8NX-NX-RC.....	198
AA6NX-NX.....	248	AA12HSP-NR.....	252	AJ1ST-NT.....	256	AQ8NX-NX-PS.....	194

ITEM NUMBER INDEX

AR5P7P7P5P.....	213	AYSNF-NF.....	203	D285-KIT.....	264	FJ-LX-U-G.....	227
AR5R2P2P2P.....	213	AYSNJ-NF.....	204	D1024.....	36	FJ-MX-D.....	65
AR5R2T2T2T.....	213	AZ1ST-NR-PS.....	194	D1024FSS.....	36	FJ-MX-DQ.....	65
AR-BRACKET.....	213	AZ1ST-NX-PS.....	194	D1040.....	36	FJ-MX-F.....	65
ARS2T2T2T2T.....	213	AZ1SX-FX-PS.....	194	DQ40-ID.....	40	FJ-MX-FQ.....	65
ARS5R2P2P2P.....	213	AZ1SX-NX.....	194	DQS40P.....	40	FJ-MX-FT.....	65
ARS5R2T2T2T.....	213	AZ1SX-NX-PS.....	194	DQS60P.....	41	FJ-MX-G.....	227
ARS5RMTMTMT.....	213	<b>B</b>		DQS-EKFP-BD.....	41	FJ-MX-HM.....	65
AS4SP-SP.....	208	B880-KIT.....	264	DS1024BCP.....	38	FJ-MX-MD.....	64
AS4ST-ST.....	208	B950-KIT.....	264	DS1024P.....	36	FJ-U.....	64
AS9NJ-SP.....	208	B955-KIT.....	264	DS1040.....	36	FJ-UMX-G.....	227
AS9NJ-ST.....	208	B960-KIT.....	264	DS1040BC.....	38	FQCS-ELP-BJ.....	44
ATNF-ID.....	203	B-A.....	260	DS1040BCP.....	38	FQCS-ENP-BF.....	44
AU-BRACKET.....	207, 212	B-BGH.....	48	DS1040P.....	36	FQCS-EUP-BF.....	44
AV5NJ-NJ.....	206	B-BGH-BD.....	48	DS1040P52MM.....	36	FQS125BCP.....	44
AV5NJ-NJ-SC.....	206	B-DUAL.....	60	DSB.....	25	FQS125BCPL.....	44
AVG2ENJNJ.....	201	B-DUAL-ND.....	60	DSS5-ND.....	25	FQS125PF.....	42
AVGSC2LNJNJ.....	201	BGH-125.....	49	<b>E</b>		FQS125PS.....	42
AVGSC2RNJNJ.....	201	BL-BGH.....	48	EFF-NFNF300.....	16	FQS125PS-BR.....	43
AX1SP-NX.....	194	BL-TO-ERP.....	113	EFJ-NJNJ500.....	16	FQS125S.....	42
AX1SP-NX-PS.....	194	BP20-057.....	51	EFJ-NJNJ1250.....	16	FQS-EUPS-BF.....	43
AX1ST-NX.....	194	BP20-058.....	51	EPG300.....	19	FQS-EUPS-BIC.....	43
AX1ST-NX-PS.....	194	BP20-092.....	51	<b>F</b>		FS-2STACK.....	26
AX1ST-NX-RC.....	198	BP20-094.....	51	F15G300F.....	19	FS-3STACK.....	26
AX1SX-NX.....	194	BP20-104.....	51	F20-KIT.....	264	FS-22STACK.....	26
AX1SX-NX-PS.....	194	BP20-110.....	51	F100F.....	21	FS95BCP.....	39
AX1SX-NX-RC.....	198	BP20-122.....	51	F100FP.....	21	FS2060.....	37
AX1SX-NY-PS.....	194	BP20-130.....	51	F100-HDL.....	264	FS2060BCP.....	39
AX7HNP-NX.....	194	BP20-131.....	51	F100-HRK.....	264	FS2095.....	37
AX7NP-NX.....	194	BP20-131.....	51	F100-KIT.....	264	FS2095BCP.....	39
AX7NP-NX-RC.....	198	BTFT-DC5.....	60	F140F.....	22	FS2095P.....	37
AX8NX-NX.....	194	BTFT-DC5-ND.....	60	F140FP.....	22	FSNYSTACK.....	26
AX8NX-NX-PS.....	194	B-TO-ERP.....	113	F140-HDL.....	264	FSS3.....	25
AX8NX-NX-RC.....	198	B-TO-ERP-120.....	113	F140-HRK.....	264	FSS4.....	25
AX1690-KIT.....	264	B-TOS-ERP.....	113	F140-KIT.....	264	FSS5.....	25
AXD1SP-NX-F.....	196	<b>C</b>		F140SBI.....	27	FSS6.....	25
AXD1SP-NX-RC.....	200	C1024.....	36	F675-KIT.....	264	FSS7.....	25
AXD1SP-NX-T.....	196	CC-011.....	11	F675-UPGRADE.....	264	FSS8.....	25, 34
AXD1ST-NX-F.....	196	CC-020.....	11	F685-KIT.....	264	FSS9.....	25
AXD1ST-NX-RC.....	200	CC-021.....	11	F2060.....	37	FSS10.....	25
AXD1ST-NX-T.....	196	CC-022.....	11	F2060BCER.....	114	FSS11.....	25
AXD7NP-NX-F.....	196	CC-023.....	11	F2095.....	37	FSS12.....	25
AXD7NP-NX-RC.....	200	CC-029.....	11	F2095BCER.....	114	FSS15075.....	25, 34
AXD8NX-NX-F.....	196	CC-050.....	11	FF151.....	26	FT200F.....	45
AXD8NX-NX-RC.....	200	CC-051.....	11	FF152.....	26	FT200S.....	45
AXD8NX-NX-T.....	196	CC-059.....	11	FF153.....	26	FT250S.....	46
AXE1SP-NX-F.....	196	CC-300.....	11	FF154.....	26	FTGF23F1F.....	230
AXE1SP-NX-T.....	196	CC-301.....	11	FF155.....	26	FTGF33C1S.....	230
AXE1ST-NX-F.....	196	CC-305.....	11	FF156.....	26	FTGF33D1S.....	230
AXE1ST-NX-RC.....	200	CC-600.....	12	FF157.....	26	FTGF34E2F.....	230
AXE1ST-NX-T.....	196	CC-605.....	12	FJ-H.....	64	FTGF34F1F.....	230
AY5NJ-NJ.....	205	<b>D</b>		FJ-HM.....	64	FTS200PF.....	45
AY175-KIT.....	265	D10-KIT.....	264	FJ-HMX.....	65	FTS200PF52MM.....	45
AY970-KIT.....	265	D75D.....	21	FJ-LX-FQ.....	64	FTS200PS.....	45
AYLND-ND.....	203	D75DP.....	21	FJ-LX-G.....	227	FTS250PS.....	46
AYLNF-NF.....	203	D75-HDL.....	264	FJ-LX-HM.....	64	FTS-EPPSF-BF.....	45
AYNJ-NF.....	204	D75-HRK.....	264	FJ-LX-M.....	64	FTS-EWPS-BIC.....	45
		D75-KIT.....	264				

ITEM NUMBER INDEX

FTTF331.....	229	GF3F1S.....	223	HM925TAN-KIT.....	265	HVITG12.....	29
FTTF332.....	229	GF3F2F.....	223	HM925WHT-KIT.....	265	HVITG13.....	29
FTTF341.....	229	GF3F2S.....	223	HM925YEL-KIT.....	265	HVITG14.....	29
<b>G</b>		GH3E2S.....	225	HM950-KIT.....	264	HVITG16.....	29
GB3N2S.....	225	GH3N2S.....	225	HM960-KIT.....	264	HVITG24.....	29
GB3P2S.....	225	GPA3C2M.....	225	HMD840-KIT.....	264	HVITG25.....	29
GB3U2F.....	225	GPA7C2S.....	225	HMDC-TO.....	57	HVITG26.....	29
GD3G2S.....	225	GPB3B2S.....	225	HMD-TO.....	57	H-VO.....	22
GDB3N2F.....	225	GPB3D2M.....	225	HMD-VPGI.....	57	H-VOI.....	22
GDB7W2F.....	225	GPB3F2M.....	225	HML-TO.....	53	H-VPGI.....	54
GDD1N2F.....	222	GPB3U2M.....	225	HML-V.....	53	HX-75-KIT.....	264
GDD3F1F.....	222	GPB3Y2M.....	225	HML-VPGI.....	53	HX-100-KIT.....	264
GDD3F1S.....	222	GPE3Y2M.....	225	HMP20-108.....	53	HX840-75-KIT.....	264
GDD3G1S.....	222	<b>H</b>		HMP21-231.....	57	HX840-KIT.....	264
GDD7F1S.....	222	H-2VO.....	24	HM-TO.....	53	HX950-KIT.....	264
GDPB3E2F.....	226	H-2VOI.....	24	HM-TO-ERP.....	114	HXD-100-KIT.....	264
GDPB3E2SH.....	226	H-2VPGI.....	55	HM-V.....	53	HXD830-KIT.....	264
GDPB3F2M.....	226	H-2VPGI-BICJ.....	55	HM-VPGI.....	53	<b>J</b>	
GDPB3U2MH.....	226	H-2VPP.....	27	HM-VPGI-BIC.....	53	J25G200F.....	19
GDPB7E2MH.....	226	H-3VOINJ-NJ.....	24	HP-BLITZ-2.5.....	55	J25G200S.....	19
GDPC3F2F.....	226	H-3VONJ-NJ.....	24	HPM-32-NJ.....	100	J25G300BF.....	19
GDPC3F2S.....	226	H880-KIT.....	264	HPM-62-NJ.....	100	J25G300BS.....	19
GDPC3N2S.....	226	H960-KIT.....	264	HPM111A.....	96	J25G300F.....	19
GDPC3U2F.....	226	H-A.....	260	HPM132A.....	96	J25G300S.....	19
GDPC3U2FH.....	226	H-A-NJIF.....	260	HPM-A.....	97	J140F.....	23
GDPC3U2M.....	226	HD-2TO.....	59	HPM-B.....	98	J140FP.....	23
GDPC7N2M.....	226	HD-2V.....	59	HPM-D.....	98	J140J.....	23
GDPG3E2M.....	226	HD-2VPGI.....	59	HPM-E.....	98	J140JP.....	23
GDPG3F2M.....	226	HD-TO.....	58	HPM-F.....	97	JET-ELBOWKIT.....	264
GDPG3U2M.....	226	HD-V.....	58	HPM-G.....	97	JET-NF-KIT.....	264
GDPG7E2M.....	226	HD-VPGI.....	58	HPMG.....	100	JIF-NJ.....	260
GDPV3E2S.....	226	HI-RISE-E.....	202	HPMG111A.....	96	JNF-NJ.....	260
GDPV3F2S.....	226	HI-RISE-L.....	202	HPM-H.....	97	JTS250PF.....	47
GDPW3U2M.....	226	HI-RISE-R.....	202	HPM-J.....	98	JTS250PF75MM.....	47
GE3P2S.....	225	HL-2VPGI.....	55	HPM-K.....	98	JTS250PS.....	47
GF1A1F.....	222	H-LUBE-KIT.....	265	HPM-L.....	98	JTS250S.....	47
GF1C1F.....	223	H-LUBE-KIT-P.....	265	HPM-M.....	98	JTS-EVPS-BIC.....	47
GF1C1S.....	223	HM590-KIT.....	264	HPM-N.....	98	JTS-EVPS-BJ.....	47
GF1E1F.....	223	HM692BLK-KIT.....	265	H-SS.....	27	<b>M</b>	
GF1F1S.....	223	HM692BLU-KIT.....	265	H-SS-NJ.....	27	MC12A.....	103
GF2C2S.....	223	HM692GRN-KIT.....	265	H-TO.....	54	MD12A.....	102
GF2E1F.....	223	HM692ORG-KIT.....	265	H-V.....	54	MD14A.....	102
GF3A1F.....	222	HM692PPL-KIT.....	265	HVIT2-KIT.....	264	MD17A.....	102
GF3A1S.....	222	HM692RED-KIT.....	265	HVIT3-KIT.....	264	MD18A.....	102
GF3B1F.....	222	HM692WHT-KIT.....	265	HVIT4-KIT.....	264	MD22A.....	102
GF3B1S.....	222	HM692YEL-KIT.....	265	HVIT5-KIT.....	264	MD28A.....	102
GF3C1F.....	223	HM792-KIT.....	26	HVIT7-KIT.....	264	MD-ERP12A.....	115
GF3C1S.....	223	HM840-75-KIT.....	264	HVIT11.....	29	MD-ERP18A.....	115
GF3C2S.....	223	HM840-KIT.....	264	HVIT12.....	29	MD-ERP-28A.....	115
GF3D1F.....	223	HM880-KIT.....	264	HVIT13.....	29	MDP22A.....	102
GF3D1S.....	223	HM925BLK-KIT.....	265	HVIT14.....	29	ME1TO.....	31
GF3D2S.....	223	HM925BLU-KIT.....	265	HVIT15.....	29	ME1-TO-KIT.....	265
GF3E1F.....	223	HM925GRN-KIT.....	265	HVIT18.....	29	ME1TOS.....	31
GF3E1S.....	223	HM925GRY-KIT.....	265	HVIT24.....	29	ME1V.....	31
GF3E2F.....	223	HM925ORG-KIT.....	265	HVIT25.....	29	ME1-V-KIT.....	265
GF3E2S.....	223	HM925PPL-KIT.....	265	HVIT27.....	29	ME1VPGI.....	31
GF3F1F.....	223	HM925RED-KIT.....	265	HVITG11.....	29	ME1VPGIS.....	31

ITEM NUMBER INDEX

ME2-KIT .....	265	SHO-GAUGE App .....	17	VSA-101 .....	265	XFIF-PLNJ .....	142
ME2TO .....	33	SPAN1 .....	263	VSA-110 .....	265	XFI-FPNJ .....	142
ME22TO .....	33	SPAN1-202 .....	263	VSA-112 .....	265	XFIH-E11A .....	128, 147
ME22V .....	33	SPAN25 .....	263	<b>W</b>		XFIH-E21A .....	128
ME22VPGI .....	33	SVFG .....	28	WF1GF-173 .....	35	XFIH-E22A .....	147
M-ERP1000-BJ .....	116	SVFG-NJ .....	28	WF1GF-226 .....	35	XFIH-EL1A .....	128, 147
M-ERP1000-NJ .....	116	SVFT .....	28	WF1GFS-173 .....	35	XFIH-EL2A .....	128, 147
M-ERP1250-NJ .....	118	SVFV .....	28	WF1TF-173 .....	35	XFI-PLNJ .....	142
M-ERP1250-NN .....	118	SVFV-NJ .....	28	WF1TF-226 .....	35	XF-SS5 .....	106
M-ERP1250SBJ .....	117	SVJE-NJNJ .....	121	WF1TFS-173 .....	35	XF-SS5-BJ .....	106
M-ERP1250SNJ .....	117	SVJE-NNNJ .....	121	WF1VF-173 .....	35	XF-SS5-NN .....	106
M-ERP1500-NN .....	119	SVJ-NJNJ .....	104	WF1VF-226 .....	35	XF-SS10 .....	106
M-ERP2000-NN .....	120	SVNE-NNNN .....	121	WF1VFS-173 .....	35	XF-SS10-NN .....	106
MERSP1000-NJ .....	116	SVN-NNNN .....	104	WF1VFS-226 .....	35	XFT-BJ .....	90
MP-R1250S-BJ .....	108	SVXE .....	122	WT5NJ-NJ-NF .....	206	XFT-NJ .....	90
M-R1000-NJ .....	107	<b>T</b>		<b>X</b>		XG12PL-PL .....	177
M-R1250-NJ .....	109	TETHER01-KIT .....	265	X170-KIT .....	265	XG12PL-XL .....	177
M-R1250S-BJ .....	108	THA401-ST .....	264	X455-KIT .....	265	XG12VL-PL .....	177
M-R1250S-NJ .....	108	THA406-KIT .....	264	X960-KIT .....	265	XG12VL-XL .....	177
M-R1500-NJ .....	110	<b>U</b>		XF-B .....	90	XG18PL-PL .....	177
M-R1500-NN .....	110	U230-KIT .....	265	XFC-12-2BICJ .....	94	XG18PL-XL .....	177
M-R2000-NN .....	110	U232-KIT .....	265	XFC-12-2NJ .....	94	XG18VL-PL .....	177
M-RF1000-NJ .....	107	U-B .....	232	XFC-32-1ST2 .....	94	XG18VL-XL .....	177
M-RS1000-NJ .....	107	U-B-D .....	13	XFC-32-2BJ2 .....	94	XG18XL-XL .....	93
MST-3BJ-M .....	105	UE-060-NF .....	62	XFC-32-2NJ1 .....	94	XG840-KIT .....	264
MST-3NJ .....	105	UE-095-NF .....	62	XFC-32-2NJ2 .....	94	XGA32VL-RL .....	178
MST-4NJ .....	105	UE-095-NJ-NF .....	62	XFC-32-2SL2 .....	94	XGA38PL-RL .....	178
MST-5NJ .....	105	UE-125-NF .....	62	XFC-42-1SP-L .....	94	XGA38VL-RL .....	178
MT-A4ERP-QC .....	122	UE-125-NJ-NF .....	62	XFC-42-1ST-S .....	95	XGA42VP-RP .....	179
<b>P</b>		UE-350-NJ .....	63	XFC-42-2NJ-L .....	95	XGA48VP-RP .....	179
P116-KIT .....	264	UE950 .....	63	XFC-42-2NJ-S .....	95	XGA840-KIT .....	264
P690-KIT .....	264	UE960-KIT .....	265	XFC-52-1ST2L .....	95	XGA841-KIT .....	264
P920-KIT .....	264	UEM-225-BFBF .....	62	XFC-52-1ST2S .....	95	XGA-RP .....	169, 178, 179
PA1 .....	237	UEP-225-BHBH .....	62	XFC-52-2NJ1L .....	95	XGB-13 .....	175, 177, 178
PA1-52MM .....	237	U-FN-TG .....	13	XFC-52-2NJ2L .....	95	XGB-23 .....	175, 177, 178
PA1-CSF .....	237	U-HS .....	232	XFC-52-2NJ2S .....	95	XGB-33 .....	175, 177, 178
PA2 .....	238	U-HS12 .....	232	XFC-322BICJ2 .....	95	XGB-43 .....	179
PA3-EV .....	236	U-HS12-D .....	13	XFC-322BICJ3 .....	95	XGB-53 .....	179
PA11 .....	237, 238	U-HS25 .....	232	XFF-APL .....	93	XGC38VL-PL .....	175
PA12 .....	237, 238	UM12 .....	232	XFF-CPL .....	93	XGC38VL-XL .....	175
PA14 .....	237, 238	UM12-15-SF-D .....	13	XFF-MPL .....	93	XGE690-KIT .....	264
PA16 .....	237, 238	UM12-D .....	13	XFF-MPP .....	93	XGE695-KIT .....	264
PA18 .....	238	UM12-NF .....	232	XFF-RLF .....	93	XIC-V831-L .....	146
PA20 .....	237, 238	UM12-NF-D .....	13	XFH .....	90	XIC-V832-S .....	146
PA25 .....	238	UM45-25MM .....	232	XFH-1NL .....	90	XX111A .....	78
PA26 .....	238	UM45-BD .....	232	XFH-1NN .....	90	XX111A-HE .....	84
PRV-G-KIT .....	264	UM45-BD-D .....	13	XFH-1NP .....	90	XX132A .....	78
PRV-KIT .....	264	UM45-SH .....	232	XFH-1NR .....	90	XX132A-HE .....	84
<b>Q</b>		UM45-SH-D .....	13	XFH-1SP .....	90	XX161A-HE .....	84
QF150 .....	40	UMP45-BD .....	232	XFH-1ST .....	90	XX211A .....	81
QF235-BH .....	41	UMP45-SH .....	232	XFH-1SX .....	90	XX211A-HE .....	87
QF235-HP .....	41	UMS45-BD .....	232	XFH-2BIC .....	90	XX232A .....	81
QF400 .....	43	UMS45-BD-D .....	13	XFH-2BJ .....	90	XX232A-HE .....	87
QF500 .....	43	UMS45-NF .....	232	XFH-2NJ .....	90	XX241A .....	81
QF1000-SL .....	47	UPG-45-BD .....	232	XFIE-FLNJ .....	142	XX241A-HE .....	87
<b>S</b>		UPI-45-BD .....	232	XFIE-FPNJ .....	142	XX261A-HE .....	87
SHO-FLOW APP .....	15	<b>V</b>		XFIF-FLNJ .....	142	XX271A-HE .....	87

ITEM NUMBER INDEX

XX482-KIT ..... 265  
 XX830-KIT ..... 265  
 XX910-KIT ..... 265  
 XX-B ..... 78, 81, 84, 87  
 XXB111A ..... 74  
 XXB132A ..... 74  
 XXB-B ..... 74  
 XXBC-32-NH1 ..... 75  
 XXBC-42-NH1 ..... 75  
 XXC-32-HENH1 ..... 86  
 XXC-32-NH1 ..... 80  
 XXC-33-BJ1 ..... 83  
 XXC-33-HENH1 ..... 89  
 XXC-33-HESL1 ..... 89  
 XXC-33-NH1 ..... 83  
 XXC-42-NH1 ..... 80  
 XXC-52-HENH1 ..... 86  
 XXC-52-NH1 ..... 80  
 XXC-53-HENH1 ..... 89  
 XXC-53-NH1 ..... 83  
 XXLC-33-BJ1 ..... 77, 234  
 XXLC-33-CN1 ..... 234  
 XXLC-53-BJ1 ..... 77, 234  
 XXLC-53-NH1 ..... 77, 234  
 XXLG ..... 233  
 XXLG-32-CN1 ..... 76, 233  
 XXLG-32-NH1 ..... 76, 233  
 XXLG-42-NH1 ..... 76, 233  
 XX-STRAP-KIT ..... 265

**Y**

Y1-E22A ..... 130  
 Y1-E31A ..... 130  
 Y1-E42A ..... 130  
 Y1-E82A ..... 130  
 Y1-EE2A ..... 130  
 Y1-EH2A ..... 130  
 Y2-E01A-S ..... 135  
 Y2-E02A ..... 132  
 Y2-E02A-S ..... 135  
 Y2-E03A-S ..... 135  
 Y2-E04A-S ..... 135  
 Y2-E62A ..... 132  
 Y2-E63A ..... 132  
 Y2-E84A ..... 132  
 Y2-EG4A-S ..... 135  
 Y2-T01A ..... 138  
 Y2-T14A ..... 138  
 Y2-T61A ..... 138  
 Y2-T81A ..... 138  
 Y4-E15A ..... 128, 158  
 Y4-E15A-P-01 ..... 128, 159  
 Y4-E21A ..... 128, 163  
 Y4-E21A-L ..... 128  
 Y4-E21A-L-01 ..... 128  
 Y4-E21A-L-02 ..... 128  
 Y4-E21A-P-01 ..... 128, 164

Y4-E25A ..... 128, 158  
 Y4-E55A ..... 128, 158  
 Y4E-COMM ..... 129, 172  
 Y4E-CT-30 ..... 129, 168  
 Y4E-CT-30-D ..... 129, 168  
 Y4E-CT-100 ..... 129  
 Y4E-DISP ..... 172  
 Y4E-JS ..... 171  
 Y4E-JS-51 ..... 171  
 Y4E-JS-52 ..... 171  
 Y4E-JS-GT ..... 171  
 Y4-EL1A ..... 128  
 Y4-EL5A ..... 128, 158  
 Y4-EP1A ..... 128, 163  
 Y4-EP1A-L ..... 128, 164  
 Y4-EP1A-L-01 ..... 128  
 Y4-EP1A-P-01 ..... 128, 164  
 Y4-EP1A-P-05 ..... 128  
 Y4E-RP ..... 129, 168  
 Y4E-RP-D ..... 129, 168  
 Y4E-TS ..... 129, 172  
 Y4-M15A ..... 155  
 Y4-M21A ..... 128, 161  
 Y4-M21A-Z ..... 128, 161  
 Y4-M25A-Z ..... 155  
 Y4-M31A ..... 128  
 Y4-MP1A ..... 128  
 Y4-MP1A-P-01 ..... 128, 161  
 Y4-T15A-Z ..... 155  
 Y4-T21A-Z ..... 128, 161  
 Y4-T25A-Z ..... 128, 155  
 Y5-E21A ..... 128, 152  
 Y5-E21A-L ..... 128  
 Y5-E21A-L-01 ..... 128  
 Y5-E21A-L-03 ..... 153  
 Y5-E21A-L30 ..... 128  
 Y5-E21A-L45 ..... 128  
 Y5-EA1A-L ..... 128  
 Y5-EA1A-L20 ..... 128, 153  
 Y5-EA1A-L201 ..... 153  
 Y5-EB1A-L ..... 128  
 Y5-EB1A-L302 ..... 128, 153  
 Y5-EL1A ..... 128  
 Y5-EP1A ..... 128  
 Y5-EP1A-L ..... 128  
 Y5-EP1A-L20 ..... 128  
 Y5-EP1A-L30 ..... 153  
 Y8-E11A ..... 166  
 Y35-D21A ..... 149  
 Y35-D24A ..... 149  
 Y35-D25A ..... 149  
 YC-COMM ..... 128, 129  
 YC-CT-30 ..... 129  
 YC-RF-24 ..... 129  
 YC-RF-RAD-24 ..... 129  
 YC-RFRM ..... 129

YC-RM ..... 129  
 YC-RP ..... 129  
 YC-RP-2400 ..... 129  
 YC-TS ..... 129  
 YE-1F3M ..... 170, 188  
 YE-CAB-6 ..... 170, 188  
 YE-CAN2 ..... 129, 169, 188  
 YE-INPUTS1 ..... 129  
 YE-INPUTS2 ..... 129  
 YE-LK12-KIT ..... 172  
 YE-PWR-COND ..... 170, 188  
 YE-RECEP-4 ..... 171  
 YE-REMAUX ..... 129, 172  
 YE-RF-900 ..... 129, 169  
 YE-RF-900-D ..... 129, 169  
 YE-RF-920-D ..... 129  
 YE-RF-2400 ..... 129, 169  
 YE-RF-2400-D ..... 129, 169  
 YE-RF-RAD-9 ..... 129, 169  
 YE-RF-RAD-24 ..... 129, 169  
 YE-RF-RAD-92 ..... 129  
 YE-VKG-PF ..... 174  
 YE-VKG-PH ..... 174  
 YE-VKG-PL ..... 174  
 YE-VK-PF ..... 173  
 YE-VK-PH ..... 173  
 YE-VK-PJ ..... 173  
 YE-VK-PL ..... 173  
 YN-E15A ..... 127, 128  
 YN-E15A-P ..... 127, 128  
 YN-E21A ..... 127, 128  
 YN-E21A-L ..... 127, 128  
 YN-E21A-L30 ..... 127, 128  
 YN-E21A-P ..... 127, 128  
 YN-E25A ..... 127, 128  
 YN-EL1A ..... 127, 128  
 YN-EL5A ..... 127, 128  
 YN-EL6A ..... 127, 128  
 YN-EP1A ..... 127, 128  
 YN-EP1A-L ..... 127, 128  
 YN-EP1A-L20 ..... 127, 128  
 YN-EP1A-P ..... 127, 128  
 YN-M21A ..... 127, 128  
 YN-M21A-Z ..... 127, 128  
 YN-M31A ..... 127, 128  
 YN-MP1A ..... 127, 128  
 YN-T21A-Z ..... 127, 128  
 YN-T25A-Z ..... 127, 128  
 YST-4NN ..... 105  
 YST-8NX ..... 122

**Z**

Z1111A ..... 139  
 Z1121A ..... 139  
 Z1122A ..... 139  
 Z1211A ..... 139  
 ZAAD3 ..... 188

ZASZ3 ..... 188  
 ZASZX ..... 188  
 ZM111 ..... 112  
 ZM141 ..... 112  
 ZMF10A ..... 66  
 ZMF11A ..... 66  
 ZMF12A ..... 66  
 ZMF13A ..... 66  
 ZMF17 ..... 67  
 ZN10A ..... 111  
 ZN11A ..... 111  
 ZN12A ..... 111  
 ZN13A ..... 111  
 ZN14A ..... 111  
 ZN22A ..... 111  
 ZO14 ..... 112





### **Health & Safety**

Apparatus Air Decon Solutions  
Station Air Decon Solutions  
Gross Decon Solutions

### **Wildland**

Fixed and Remote Control Monitors  
Fixed and Remote Control Nozzles  
Nozzles Handheld  
Valves, Wyes and Tees  
Foam Equipment and CAFS Nozzles  
Tools and Accessories

### **Handheld Nozzles**

Fixed, Selectable and Automatic  
Standard, Low and Dual Pressure  
Smooth Bores and Ball Valves  
Pressure Gauges and Flow Indicators  
Specialty Nozzles & Accessories

### **Industrial**

Fixed Station and Portable Monitors  
Master Stream Nozzles  
Self Educting Foam Nozzles &  
Attachments  
LDH Hardware, Manifolds, Intake and  
Discharge Valves  
Hazardous Location Monitors

### **Apparatus Equipment**

Fixed and Remote Control Monitors  
and Nozzles  
Intake Valves, Adapters, Elbows and  
Fittings  
Monitor Manifolds  
Tools and Accessories

### **Water Supply**

Intake Valves  
Jumbo Wyes, Siamese and Gated  
Manifolds  
Hydrant Assist Valves  
Gated Wyes and Water Thiefs  
Suction Hose Strainers

### **Foam Equipment**

Green Foam Solutions  
Foam Nozzles and Attachments  
Eductors  
Self-Educting Nozzles  
Foam Injection and Application Systems