

1 2 3 4 5 6 7 8

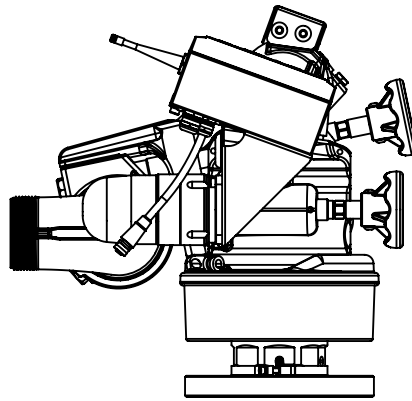
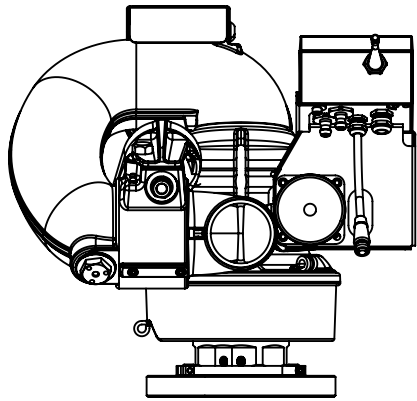
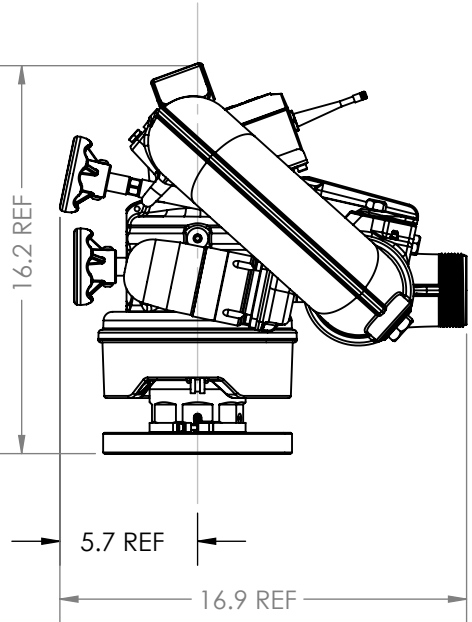
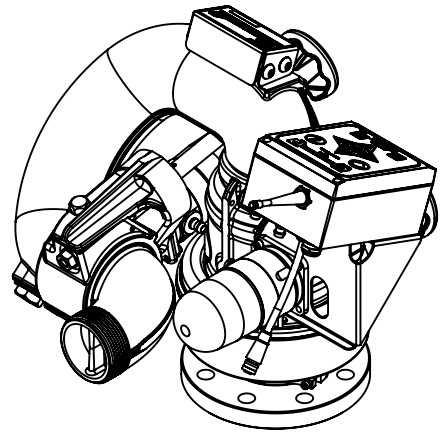
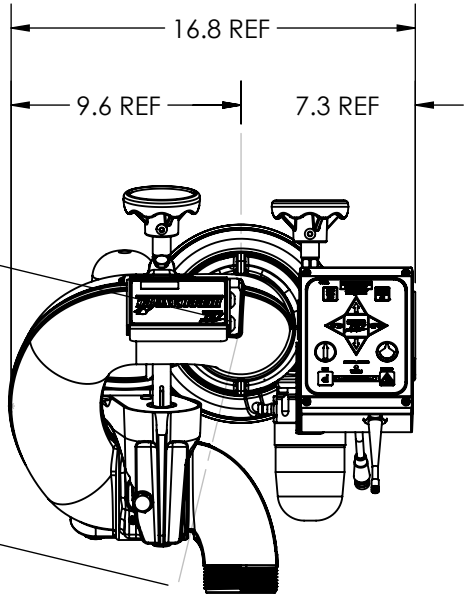
A


B

C

D

E



| | | | | | |
|--|-----|-----------------|------|------|--|
| DIMENSIONS IN INCHES [mm] | | | | | |
| PRINT APPROVED | | PRINT CHNG ENG | | | |
| 11/17/14 | LRS | | | | |
| SCALE: 1/8x | | REV | DATE | INIT | |
|  TASK FORCE TIPS, INC. 3701 INNOVATION WAY VALPARAISO, IN 46383 USA (219)462-6161 | | PRINT DRAWN | | | |
| | | 11/17/14 | | CPW | |
| | | DESIGN ENGINEER | | | |

ITEM: XFIH-E41A

SHEET
1 of 1

DESCR: HURRICANE RC DN80 PN16 INLET

TFT_APRLIST.SLDDRT

EXTRA DESCR: 2.5"NH MALE OUTLET