
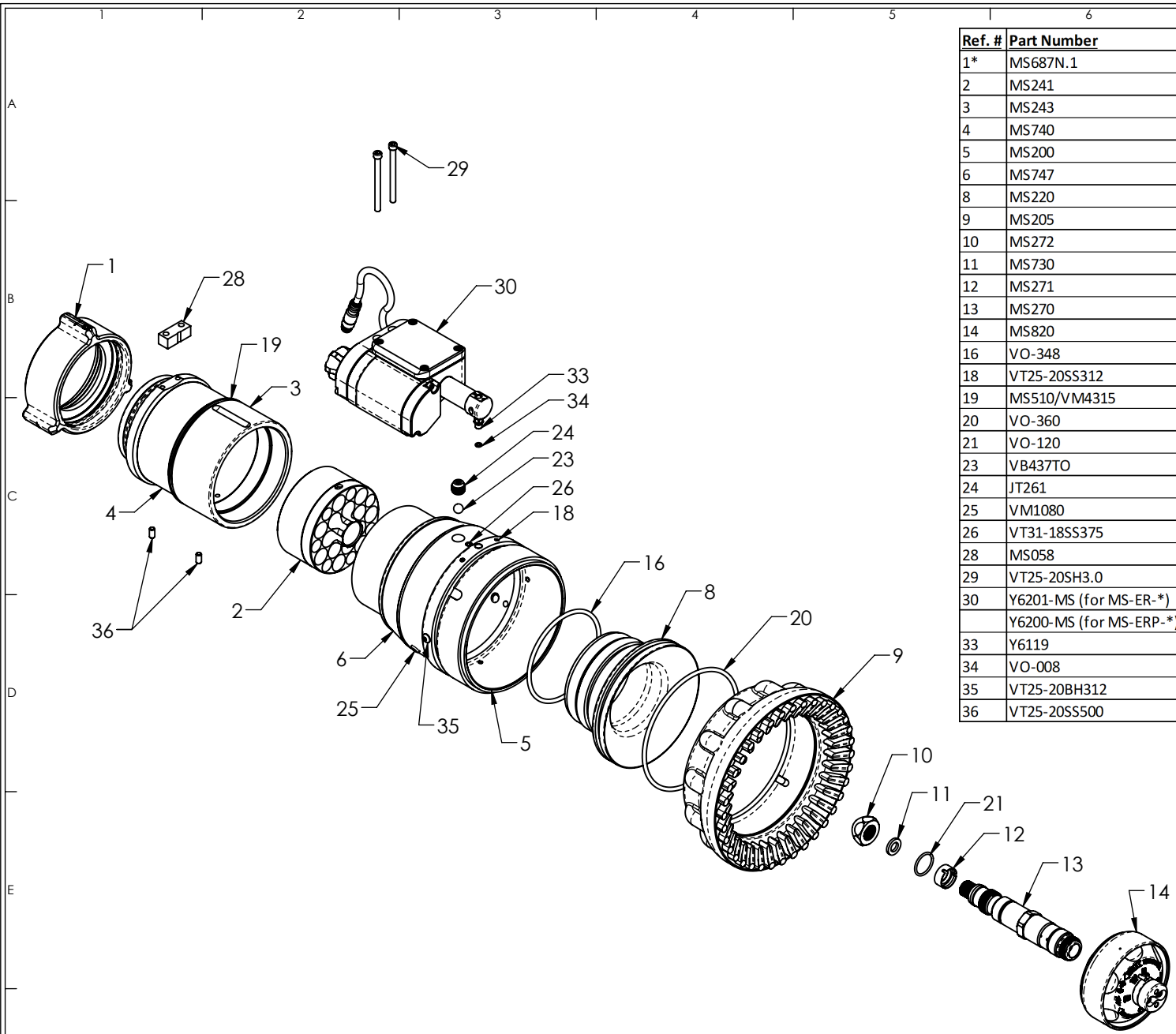



DIMENSIONS IN INCHES [mm]			
PRINT APPROVED		PRINT CHNG ENG	
3/15/2019	JRB	1/10/19	CPW
SCALE: 1/4X		REV	DATE INIT
		8	3/14/19 CPW
		PRINT DRAWN	
TASK FORCE TIPS, INC. 3701 INNOVATION WAY VALPARAISO, IN 46383 USA (219)462-6161		1/10/19 CPW	
		DESIGN ENGINEER	
		<i>Alex Yovanovich</i>	

ITEM: M-ERP2000-NN	SHEET 1 of 2	DESCR: MASTER STREAM 2000 ER W/PLUG 3.5"NH
ITEM: M-ER2000-NN	SHEET 1 of 2	DESCR: MASTER STREAM 2000 ELECTRIC 3.5"NH

EXTRA DESCR: 300-2000GPM@80-120PSI 12-24 VDC ACTUATOR



Ref. #	Part Number	Qty.	Description
1*	MS687N.1	1	3.5" NH COUPLING ROCKERLUG PARTS SET
2	MS241	1	STRAIGHTENER
3	MS243	1	BARREL LINEAR
4	MS740	1	BARREL LABEL: MASTER STREAM 2000
5	MS200	1	SHAPER
6	MS747	1	NAME LABEL: MASTER STREAM 2000
8	MS220	1	BARREL CONE
9	MS205	1	BUMPER
10	MS272	1	REAR NUT
11	MS730	1	FILTER WASHER
12	MS271	1	LOCKING SLEEVE
13	MS270	1	SHAFT
14	MS820	1	PRESSURE CONTROL UNIT SUBASSEMBLY
16	VO-348	1	O-RING-348 4-3/8 ID 3/16 C/S
18	VT25-20SS312	2	1/4-20 X 5/16 SOCKET SET SCREW
19	MS510/VM4315	1	WEAR STRIP & WELDING ROD
20	VO-360	1	O-RING-360 5-7/8 ID 3/16 C/S
21	VO-120	1	O-RING-120 1 ID 3/32 C/S
23	VB437TO	1	BALL 7/16" TORLON
24	JT261	1	CUP
25	VM1080	2	.375 X 1/2 BLACK VINYL CAP
26	VT31-18SS375	3	5/16-18 X 3/8 SOCKET SET SCREW
28	MS058	1	MOTOR SPACER
29	VT25-20SH3.0	2	1/4-20 X 3-1/2 SOCKET HEAD CAP SCREW
30	Y6201-MS (for MS-ER-*)	1	ACTUATOR MASTER 2K/1500/FAER 2-WIRESUB
	Y6200-MS (for MS-ERP-*)	1	ACTUATOR MASTER 2000 6-PIN PLUG -SUBASSY
33	Y6119	1	DRIVE PIN - MACHINED
34	VO-008	1	O-RING-008 3/16 ID 1/16 C/S
35	VT25-20BH312	3	1/4-20 X 5/16 BUTTON HEAD CAP SCREW
36	VT25-20SS500	2	1/4-20 X 1/2 SOCKET SET SCREW CUP POINT

DIMENSIONS IN INCHES [mm]			
PRINT APPROVED		PRINT CHNG ENG	
3/15/2019	JRB	1/10/19	CPW
SCALE: 1/4X		REV	DATE INIT
		8	3/14/19 CPW
		PRINT DRAWN	
		1/10/19	CPW
TASK FORCE TIPS, INC. 3701 INNOVATION WAY VALPARAISO, IN 46383 USA (219)462-6161		DESIGN ENGINEER	
		<i>Alex Yovanovich</i>	

ITEM: M-ERP2000-NN	SHEET 2 of 2	DESCR: MASTER STREAM 2000 ER W/PLUG 3.5"NH
ITEM: M-ER2000-NN	SHEET 2 of 2	DESCR: MASTER STREAM 2000 ELECTRIC 3.5"NH
EXTRA DESCR: 300-2000GPM@80-120PSI 12-24 VDC ACTUATOR		