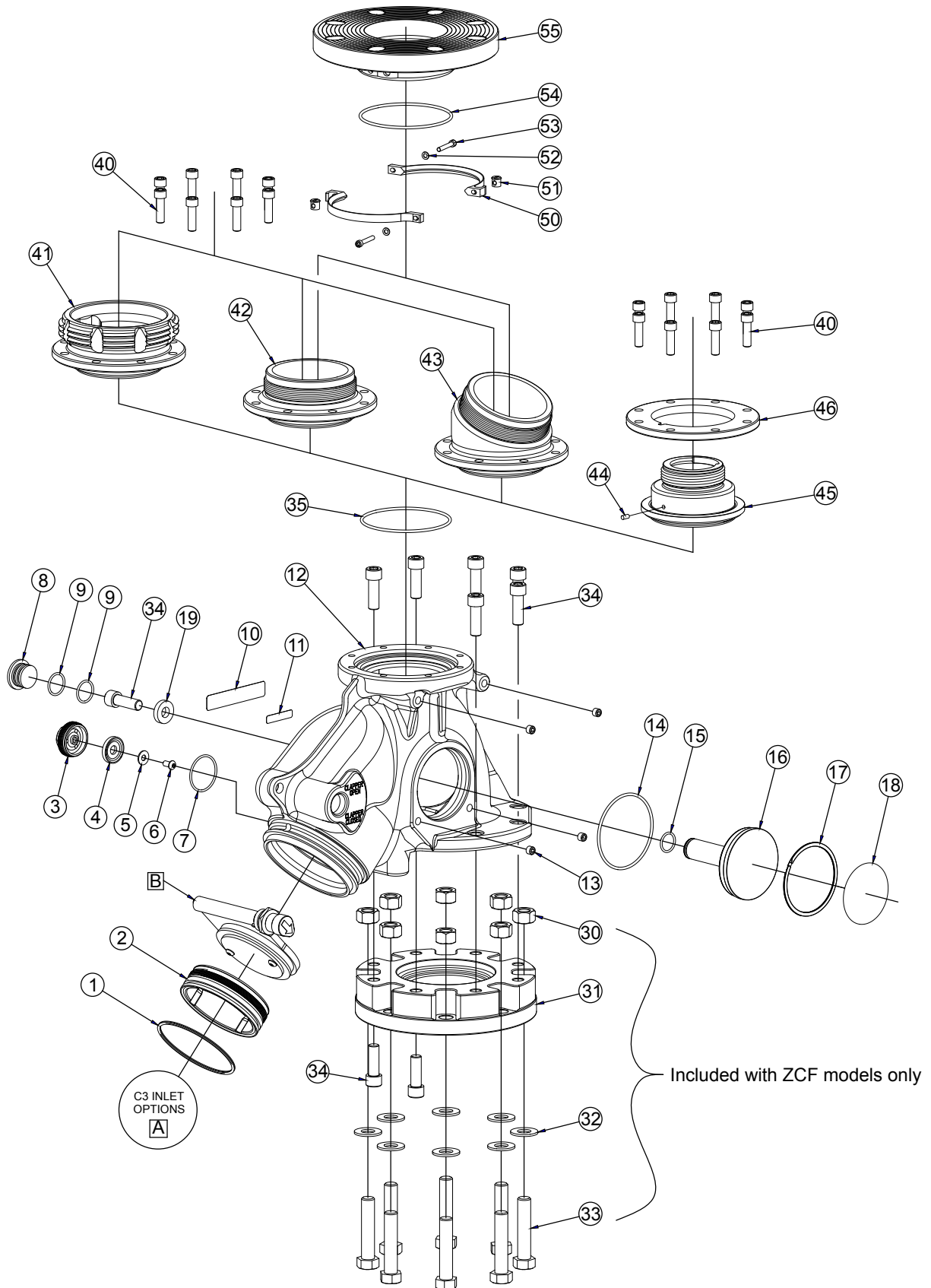


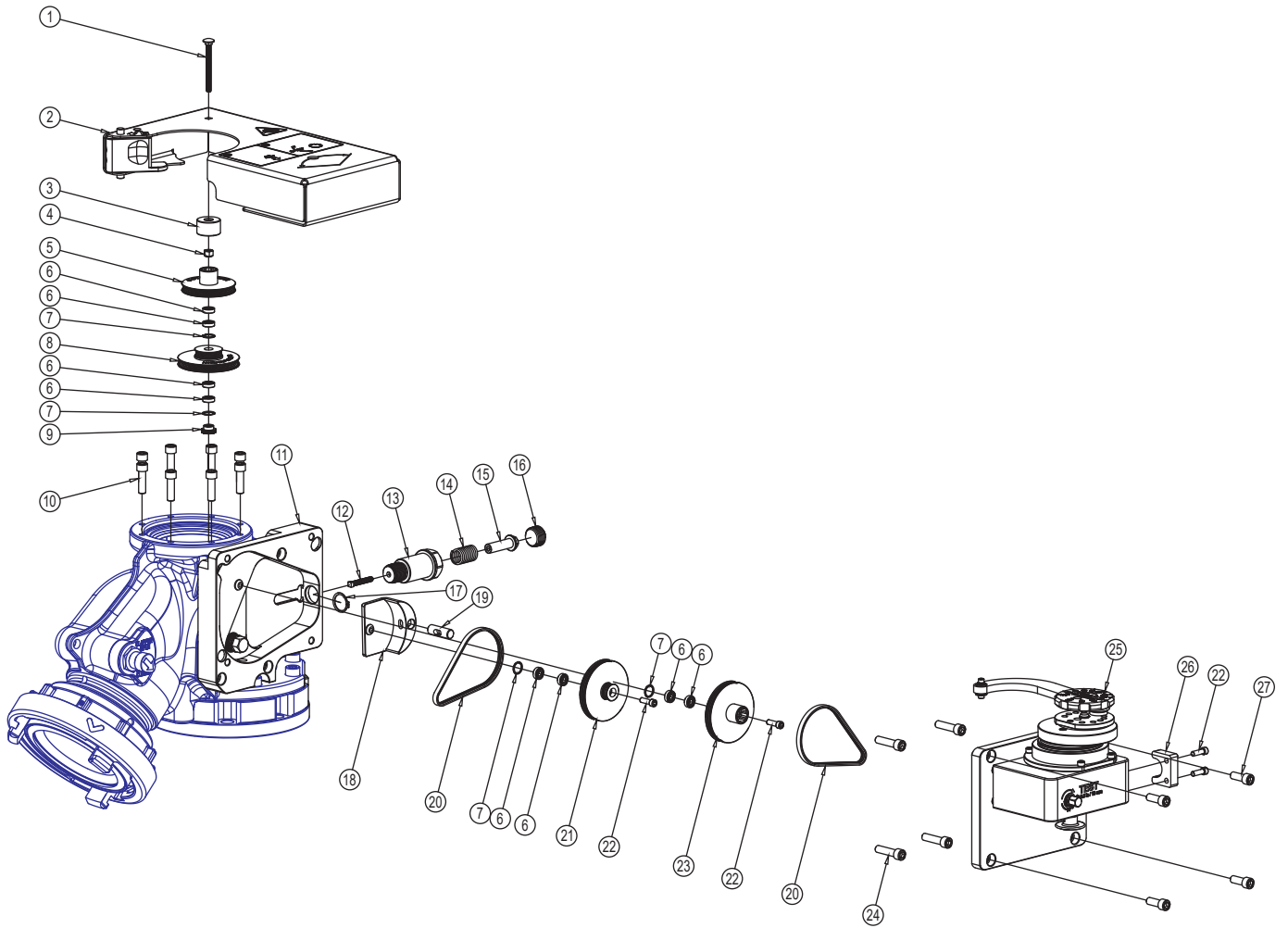
OVERALL ASSEMBLY

Subassemblies and optional components marked [A] and [B] are shown exploded on following pages



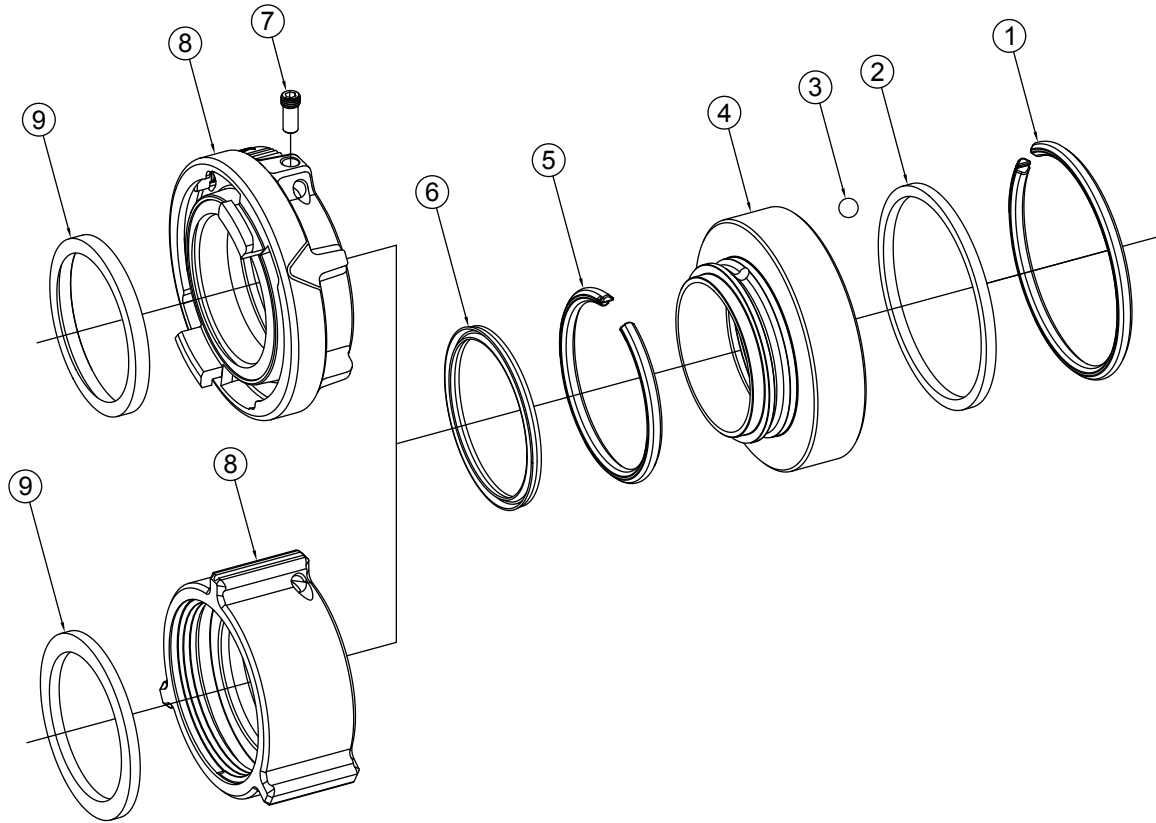
INDEX	DESCRIPTION	QTY	PART #
1	QUAD-RING-242	1	VOQ-4242
2	INNER SEAT RETAINER ALUMINUM	1	A2071
3	DRAIN HOUSING	1	X375
4	DRAIN VALVE	1	X382
5	FLAT WASHER 1/4"	1	VW687X281-50
6	1/4-20 X 1/2 BUTTON HEAD SCREW	1	VT25-20BH500
7	O-RING-130	1	VO-130
8	SHAFT CAP	1	XX037
9	O-RING-119	2	VO-119
10	SERIAL NUMBER LABEL	1	ZB1105
11	MODEL NUMBER LABEL	1	A1303
12	BOOSTER BODY	1	ZB1100
13	3/8-16 X 5/16 SOCKET SET SCREW	4	VT37-16SS312
14	O-RING-238	1	VO-238
15	O-RING-117	1	VO-117
16	TURBINE PORT PLUG	1	ZB1140
17	SMALLEY RING WH-350-S02	1	VR4360
18	NAME LABEL: BOOSTER - FM APPROVED	1	ZB1106-FM
30	5/8"-11 NUT	8	VT62-11NT
31	FLANGE ADAPTER 4"ANSI 150	1	ZB1120
	FLANGE ADAPTER 3"ANSI 150		ZB1122
32	WASHER 1 3/8"OD X 21/32"ID X 14/.11"THK	8	VW1.3X65-110
33	5/8"-11 X 3" HEX HEAD SCREW	8	VT62-11HX3.0
34	1/2-13 X2 1.5 SOCKET HEAD SCREW	8	VT50-13SH1.5
35	O-RING-243	2	VO-243
40	3/8-16 X 1.25 SOCKET HEAD SCREW	8	VT37-16SH1.2
41	QUICK CONNECT - VUM X 4.5"NHM	1	Y4484
42	OUTLET VUM CODE-RPM	1	A1026
43	OUTLET VUM 22.5 DEGREE CODE-RPM	1	A1040
44	3/16 X 3/8 HDP SPIROL PIN	1	VP188X.38HDP
45	QUICK CONNECT - VUM X 2.5"NHM	1	Y2432A
46	FLANGE VUM FOR SMALL MONITORS	1	Y2433
50	4" MONITOR BASE CLAMP	2	Y4435
51	CYLINDER NUT	2	Y4437
52	WASHER .360 OD X .200 ID X .040 THICK	2	VW360X200-04
53	10-32 X 1-1/4 SOCKET HEAD SCREW	2	VT10-32SH1.2
54	O-RING-244	1	VO-244
55	FLANGE CODE-RPF X 4"ANSI 150	1	A1039
A	C3 INLET OPTIONS	1	SEE SECTION 6.2
B	CLAPPER	1	SEE SECTION 6.3

OVERALL ASSEMBLY BOOSTER OSC



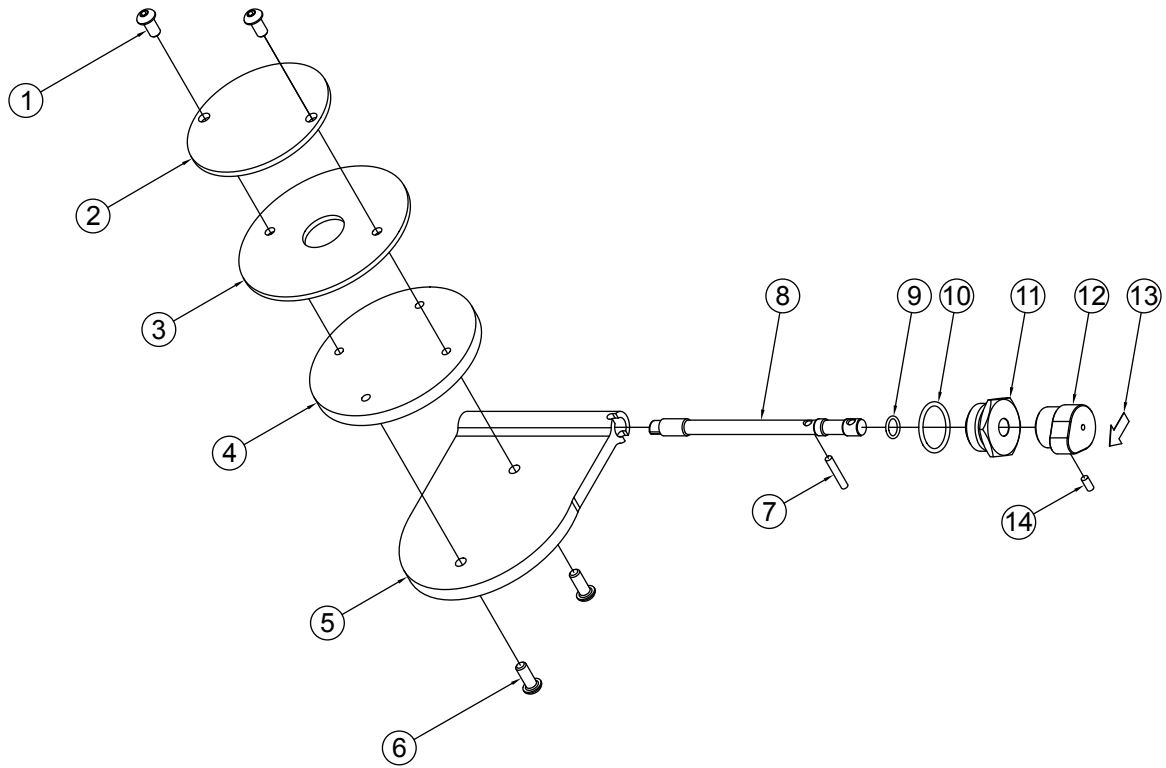
INDEX	DESCRIPTION	QTY	PART #	INDEX	DESCRIPTION	QTY	PART #
1	1/4-20 X 1 1/2 SQUARE HEAD SET SCREW	1	VT25-20QS1.5	14	CONTROL SPRING	1	B760
2	GUARD	1	ZB1190	15	SPRING NUT	1	ZB1154
	GUARD LOCK LEVER	1	ZB1193	16	3/4"NPTM HEX SOCKET PLUG	1	XG410
	PIVOT PIN	1	A4262	17	RETAINING RING 15/16"	1	VR4301
	HANDLE TORSION SPRING	1	A4263	18	BELT TENSIONER	1	ZB1152
3	CUP WASHER	1	ZB1192	19	PIVOT PIN	1	ZB1153
4	1/4-20 HEX NUT	1	VT25-20NT	20	BELT	2	ZB148
5	PULLEY DRIVEN	1	ZB1161	21	PULLEY DRIVING	1	ZB1156
6	BEARING	8	VM4242	22	1/4-20 X 3/4 SOCKET HEAD CAP SCREW	7	VT25-20SH750
7	SMALLEY RING	4	VR4370	23	PULLEY DRIVEN	1	ZB1157
8	PULLEY DRIVING	1	ZB1160	24	3/8-16 X 1-1/2 SOCKET HEAD CAP SCREW	4	VT37-16SH1.5
9	THUMB NUT	1	ZB1195		25	WORM GEARBOX	1
10	3/8-16 X 1 1/4 SOCKET HEAD CAP SCREW	8	VT37-16SH1.2	25	OSC PULLEY HOUSING COVER	1	ZB1151
11	OSC PULLEY HOUSING	1	ZB1150		26	TENSIONER LOCK FORK	1
12	1/4-20 X 1 1/2 SQUARE HEAD SET SCREW	1	VT25-20QS1.5	27	3/8-16 X 1 SOCKET HEAD CAP SCREW	4	VT37-16SH1.0
13	SPRING HOUSING	1	ZB1155				

LDH INLET PORT C3 OPTIONS [A]



#	DESCRIPTION	PARTS USED PER CONNECTION TYPE							
		4.0" STORZ	5.0" STORZ	6.0" STORZ	3.5" NH FEMALE	4" NH FEMALE	4.5" NH FEMALE	5" NH FEMALE	6" NH FEMALE
1	PLASTIC STRIP	A1291	A1291	A1291	A1291	A1291	A1291	A1291	A1291
2	CUP SEAL	A1596	A1596	A1596	A1596	A1296	A1296	A1296	A1596
3	LOCKOUT BALL	VB.437	--	VB.437	VB.437	--	--	--	VB.437
4	MATE	A4730	--	--	A4730	--	--	--	A4745
5	PLASTIC STRIP	A1292	--	--	A1292	--	--	--	A1290
6	CUP SEAL	A1597	--	--	A1297	--	--	--	--
7	LOCKOUT SCREW	A1294	A1294	--	--	--	--	--	--
8	COUPLING	A4124	A4125	A4126	A4655N	A4660N	A4665N	A4670N	A1266NX
9	GASKET	A4215	A4220	A4225	V3196	V3198	V3210	V3220	V3240

CLAPPER SUBASSEMBLY [B]



INDEX	DESCRIPTION	QTY	PART #
1	1/4-20 X 1/2 BUTTON HEAD SCREW	2	VT25-20BH500
2	WASHER	1	A2033
3	OUTER CLAPPER SEAL	1	A2032
4	SPACER PLATE	1	A2036
5	CLAPPER	1	A2034
6	1/4-20 X 7/8 BUTTON HEAD SCREW	2	VT25-20BH625
7	5/32 X 7/8 HDP SPIROL PIN	2	V1900
8	PIVOT PIN	1	A2035
9	O-RING-012	1	VO-012
10	O-RING-119	1	VO-119
11	PIVOT CAP	1	G191
12	LOCATOR	1	A5774
13	ARROW LABEL	1	UL220
14	10-32 X 1/4 SOCKET SET SCREW CUP POINT	1	VT10-32SS250