

1 2 3 4 5 6

A

B

C

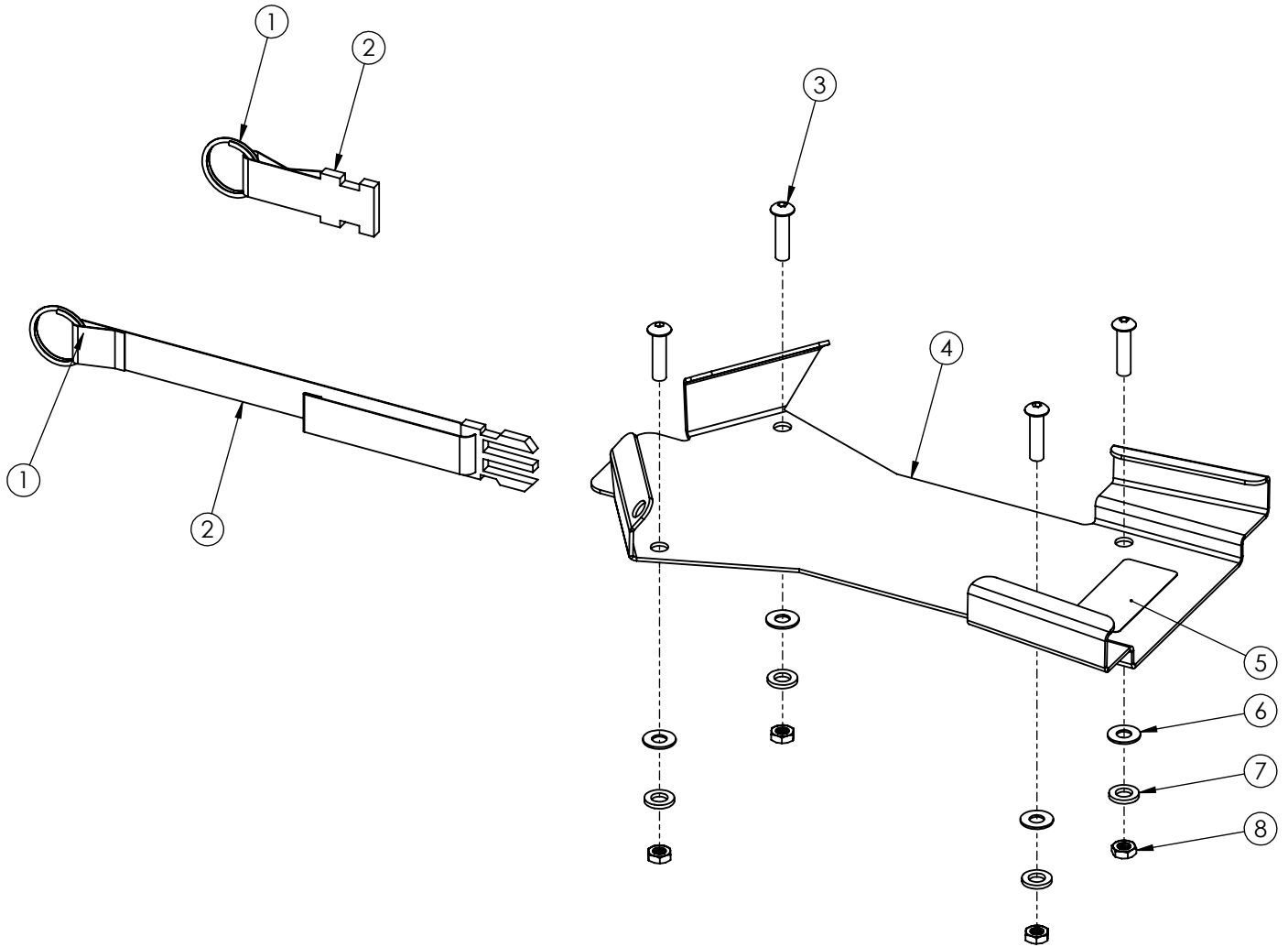
D

E

F

G

H



ITEM NO.	PART NUMBER	DESCRIPTION	QTY.
1	X342	STAINLESS KEY RING	2
2	X492	1" WEBBING WITH BUCKLE	1
3	VT31-18BH1.2	5/16-18 X 1-1/4 BUTTON HEAD CAP SCREW	4
4	X490	STORAGE BRACKET	1
5	XLL695	LABEL: STORAGE BRACKET	1
6	VW31SS	5/16" FLAT WASHER	4
7	VW31SSLOCK	5/16" LOCK WASHER	4
8	VT31-18JNT	5/16-18 HEX JAM NUT	4

LXX-013

PARTS LIST: CROSSFIRE BRACKET
MAINTENANCE AND SERVICE

SHEET: 1 of 1
REV: 0
DATE: 8/18/2021



TASK FORCE TIPS, LLC.
3701 INNOVATION WAY
VALPARAISO, IN 46383 USA
(219)462-6161