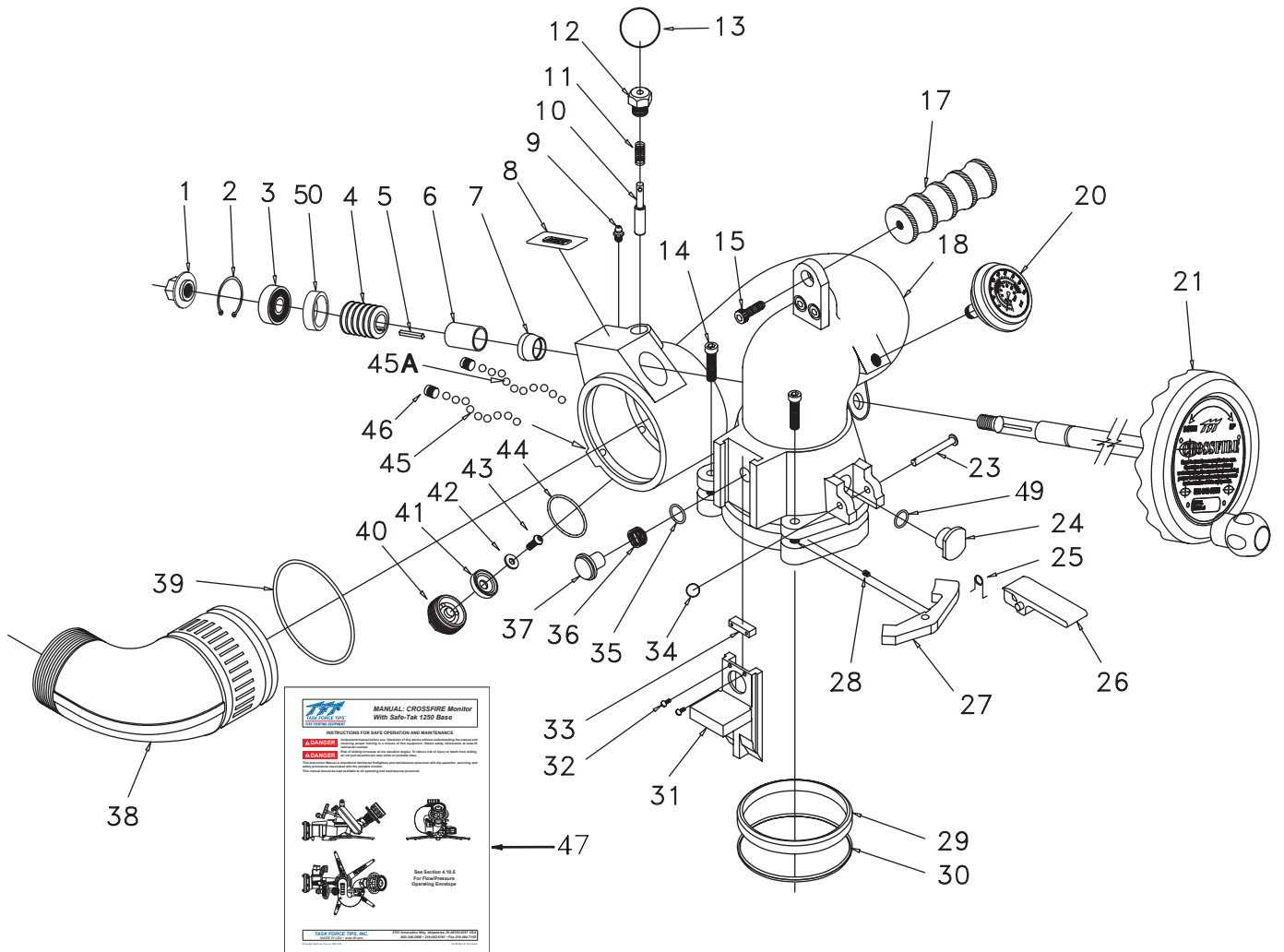


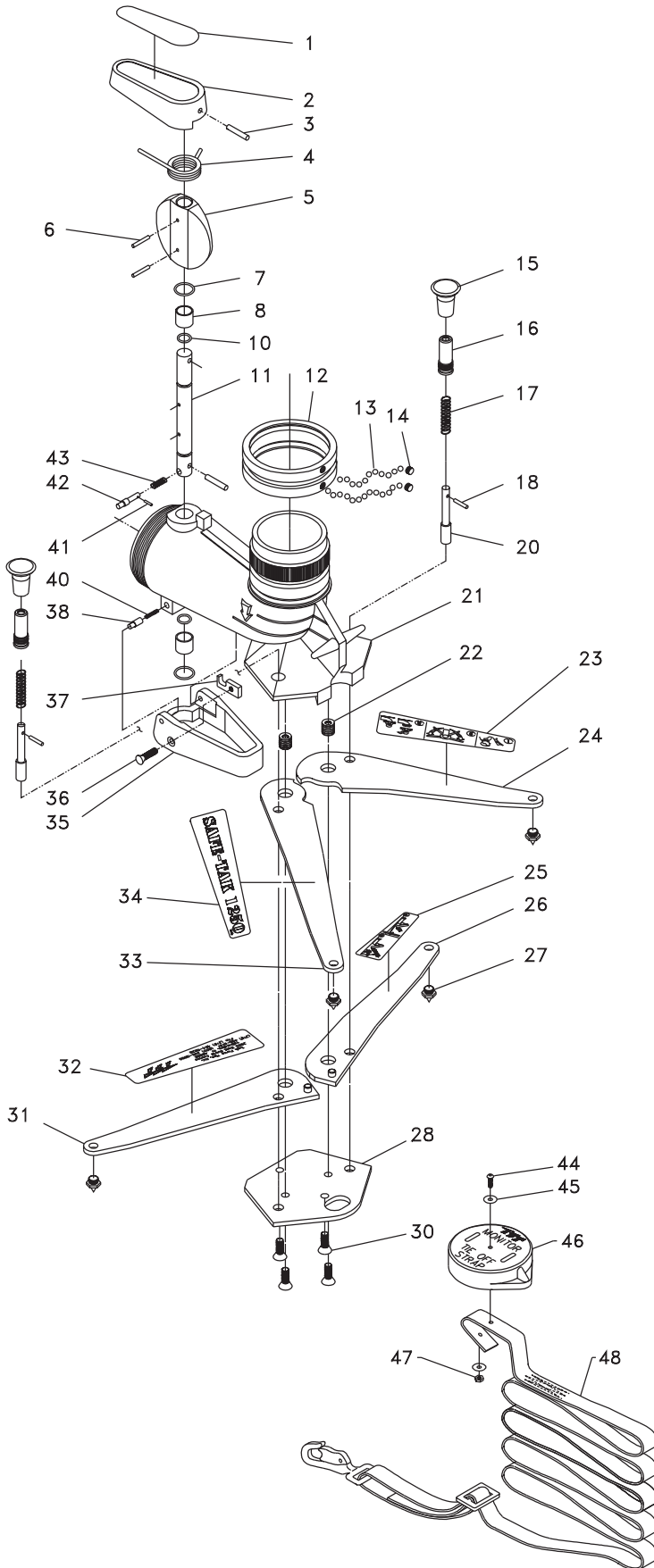
MONITOR DRAWING AND PART LIST



INDEX	DESCRIPTION	QTY	ITEM #
1	SHAFT NUT	1	X210
2	SNAP RING	1	VR4220
3	BEARING	1	VM4252
4	WORM WITH KEYWAY	1	X220
5	KEY 1/8 X 1.00	1	X225
6	BUSHING	1	X230
7	BOOT	1	X240
8	DANGER LABEL	1	XL090
9	11/4-28 GREASE FITTING	1	VT25-28ZERK
10	PULL PIN	1	X340
11	PULL PIN SPRING	1	X345
12	PULL PIN HOUSING	1	X350
13	KEY RING	1	X342
14	5/16-18 X 1-1/4 SHCS	2	VT31-18SH1.2
15	3/8-16X7/8SHCS	1	VT37-16SH875
17	PEG - CARRYING HANDLE	1	X362
18	BIG BEND/BELL ASSEMBLY	1	X800
20	200 PSI/BAR GAGE/BUMPER	1	X823
21	HANDWHEEL ASSEMBLY	1	X810
22	1/4 X 1-1/8 HDP SPIROL	1	VP250X1-375H
23	CLEVIS PIN 1/4 X 2	1	X180
24	ROTATION LOCK INSERT	1	X170
25	ROTATION LOCK SPRING	1	X152
26	ROTATION LOCK LEVER	1	X821

INDEX	DESCRIPTION	QTY	ITEM #
27	PAWL	2	X135
28	DETENT SPRING	2	H770
29	WEAR STRIP	1	X120
30	CUP SEAL .366 NITRILE 70A	1	X125
31	SLIDE BAR	1	X140
32	#6-32 X 1/4 BUTTON HEAD	2	VT06E32BH250
33	COVER	1	X142
34	CLEVIS PIN RETAINER	1	X137
35	O-RING-016	1	VO-016
36	PLUNGER WAVE SPRING	1	X165
37	SAFETY PLUNGER	1	X150
38	2.5 NH ELBOW	1	X339NJ
39	O-RING-241	1	VO-241
40	DRAIN HOUSING	1	X375
41	DRAIN VALVE	1	X382
42	FLAT WASHER	1	VW687X281-50
43	1/4-28 X 1/2 BHCS	1	VT25-28BH500
44	O-RING 130	1	VO-130
45	5/16 SS BALLS	38	VB.312
45A	5/16 TORLON BALLS	38	VB.312TO
46	3/8-24 x 3/8 SOCKET SET	2	VT37F24SS312
47	MANUAL CROSSFIRE	1	LIX-030
48	DVD - CROSSFIRE	1	LIX-200
49	O-RING-117	1	VO-117
50	SPACER	1	X236

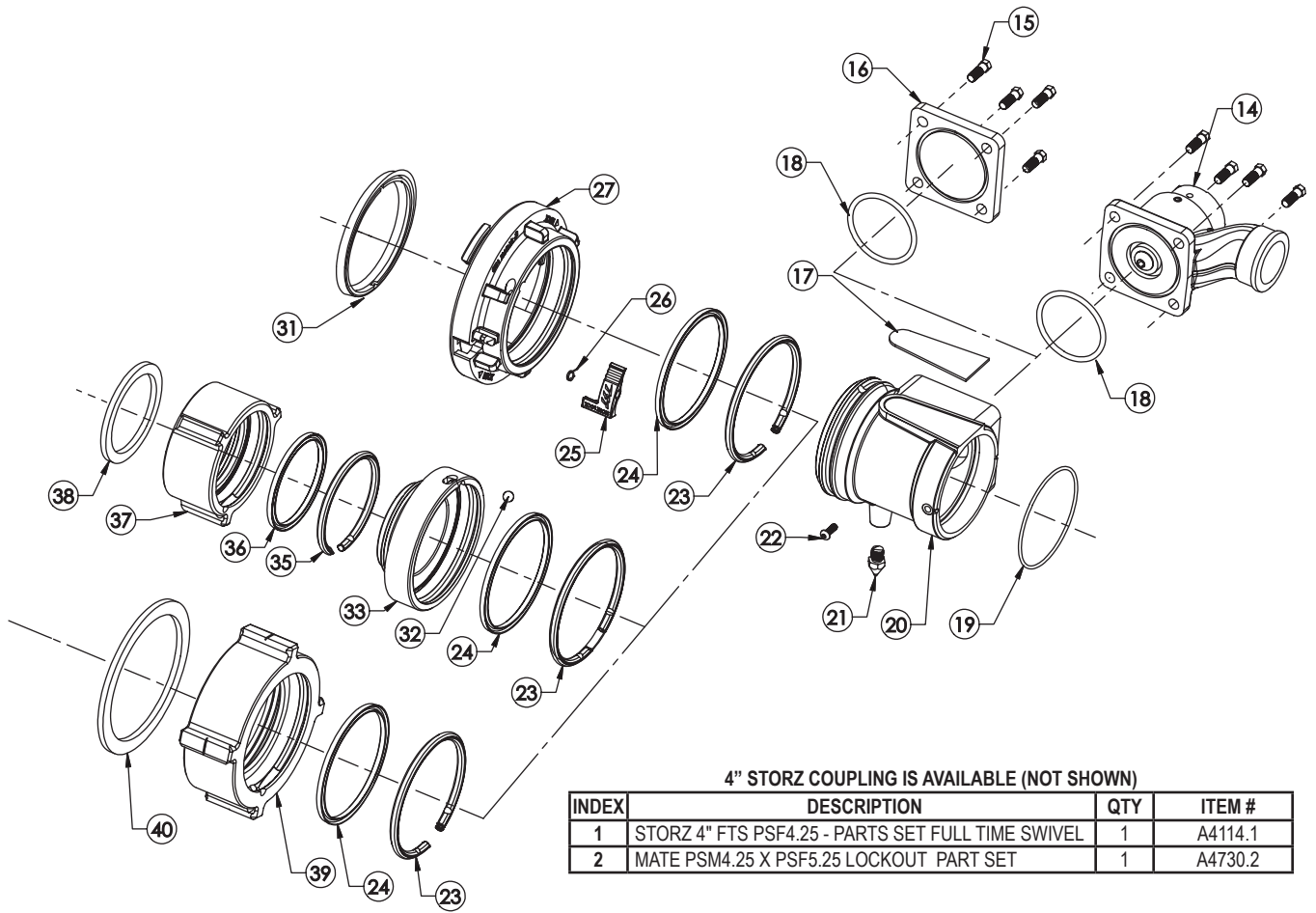
SAFE-TAK 1250 DRAWING AND PART LIST



SAFE-TAK 1250®
with Safety Valve

INDEX	DESCRIPTION	QTY	ITEM #
1	SAFETY VALVE HANDLE LABEL	1	XL070
2	VALVE HANDLE	1	X540
3	1/4 x 1 3/8 SPIROL PIN	1	VP250X1.375H
4	TORSION SPRING	1	X560
5	BUTTERFLY	1	X550
6	5/32 x 1 1/8 SPIROL PIN	2	V1920
7	O-RING-118	2	VO-118
8	BUSHING	2	X565
10	O-RING-113	2	VO-113
11	VALVE SHAFT	1	X570
12	SWIVEL RING	1	X425
13	5/16 SS BALLS	76	VB.312
14	SWIVEL SCREW	2	X405
15	SHOT PIN KNOB	2	X430
16	KNOB BARREL	2	X440
17	SHOT PIN SPRING	2	X445
18	5/32 x 7/8 SPIROL PIN	2	V1900
20	SHOT PIN	2	X435
21	BASE	1	X420
22	BELLEVILLE WASHER	12	D07590
23	INSTRUCTION LEG LABEL 1-3	1	XL010
24	FRONT LEG - LEFT	1	X470L
25	INSTRUCTION LEG LABEL 4-5	1	XL020
26	REAR LEG - LEFT	1	X460L
27	SPIKE	4	X480
28	BOTTOM PLATE	1	X450
30	3/8-16 X 3/4 FLAT HEAD SHCS	4	VT37-16FH750
31	REAR LEG - RIGHT	1	X460R
32	TFT LEG LABEL	1	XL050
33	FRONT LEG - RIGHT	1	X470R
34	SAFE-TAK LEG LABEL	1	XL040
35	PADDLE	1	X530
36	1/4-20 x 7/8 FLAT HEAD	1	VT25E20FH875
37	WEAR PLATE	1	X585
38	PADDLE PIVOT	2	X590
40	PADDLE PIVOT SPRING	2	X575
41	3/32 x 1/2 SPIROL PIN	1	VP094X500H
42	TRIP PIN	1	X580
43	TRIP PIN SPRING	1	X582
44	#10-32 x 7/8 BUTTON HEAD	1	VT10E32BH875
45	WASHER	2	VW700X203-60
46	STRAP CAP	1	X457
47	#10-32 HEX NUT	1	VT10-32NT
48	STRAP ASSEMBLY	1	X455 -R

HIGH FLOW INLET OPTION

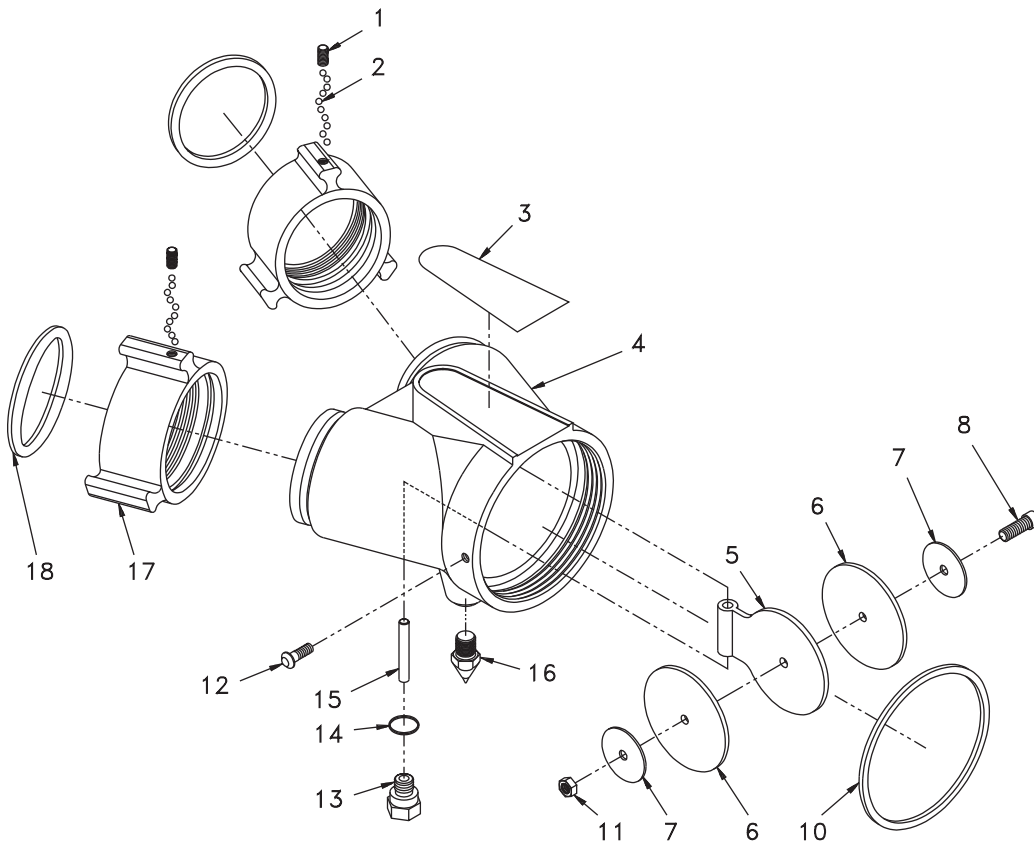


4" STORZ COUPLING IS AVAILABLE (NOT SHOWN)

INDEX	DESCRIPTION	QTY	ITEM #
1	STORZ 4" FTS PSF4.25 - PARTS SET FULL TIME SWIVEL	1	A4114.1
2	MATE PSM4.25 X PSF5.25 LOCKOUT PART SET	1	A4730.2

INDEX	DESCRIPTION	QTY	ITEM #
14	RELIEF VALVE WITHOUT THREAD, ALUMINUM	1	A1810
15	7/16-14 X 1 HEX HEAD BOLT 18-8 STAINLESS STEEL	4	VT43-14HX1.0
16	LDH BLANK CAP HARDCOAT USE ON X651	1	X631
17	SAFETY VALVE BASE LABEL	1	XL080
18	O-RING-236 3-1/4 ID 1/8 C/S 3.234 +/- .024 ID .139 +/- .004 C/S	1	VO-236
19	O-RING-244 4-1/4 ID 1/8 C/S 4.234 +/- .030 ID .139 +/- .004 C/S	1	VO-244
20	LDH ADAPTOR W/PSM5.25	1	X651
21	REAR SPIKE	1	X482
22	1/4-28 X 3/4 BUTTON HEAD - ND PATCH	1	VT25Y28BH750
23	PLASTIC STRIP 5.25" - MOLDED	1	A1291
24	CUP SEAL 5.25 X 4.75 X 1/4 PRECISION ASSOCIATES #666-427	1	A1296
25	LOCKING LEVER - MOLDED	1	A4176
26	SPRING TORSION (STORZ LOCK) 9991067 MIDSTATE # 210049	1	A4230
27	COUPLING HEAD STROZ 5 X 5.25 PSF HARDCOAT	1	A4135
31	GASKET 5" PRESSURE MOLDED 9991000	1	A4220
32	BALL 7/16 STAINLESS 302 GRADE 100	1	VB.437
33	MATE PSM4.25 X PSF5.25 - HARDCOAD	1	A4730
35	PLASTIC STRIP 4.25" - MOLDED	1	A1292
36	CUP SEAL 4.25 X 3.750 X 1/4	1	A1297
37	COUPLING RL 3.0NH X PSF4.25	1	A4650N
	COUPLING RL 3.5NH X PSF4.25	1	A4655N
38	GASKET 3.0 HOSE COUPLING	1	V3194
	GASKET 3.5 HOSE COUPLING	1	V3196
39	4.0 NH FEMALE X PSF5.25	1	A4660N
40	4.0 HOSE COUPLING GASKET	1	V3198

DOUBLE INLET OPTION



INDEX	DESCRIPTION	QTY	ITEM #
1	1/4-28 x 1/2 SOCKET SET	2	VT25-28SS500
2	3/16 SS BALL	96	V2120
3	SAFETY VALVE BASE LABEL	1	XL080
	NO VALVE BASE LABEL		XL085
4	2.5" WYE	1	X712
5	2.5" CLAPPER	1	X772
6	2.5" CLAPPER GASKET	2	X762
7	WASHER	2	VW1.9x26-076
8	1/4-20 x 1 SHCS, SS	1	VT25-20SH1.0
10	O-RING-244	1	VO-244
11	1/4-20 STAINLESS NUT	1	VT25-20NT
12	1/4-28 X 3/4 BUTTON HEAD	1	VT25-28BH750
13	PIVOT BOLT	1	X784
14	O-RING-013	1	VO-013
15	CLAPPER PIVOT	1	X732
16	REAR SPIKE	1	X482
17	2.5" NH COUPLING (pictured)	2	M307N
18	2.5" COUPLING GASKET (pictured)	2	V3190