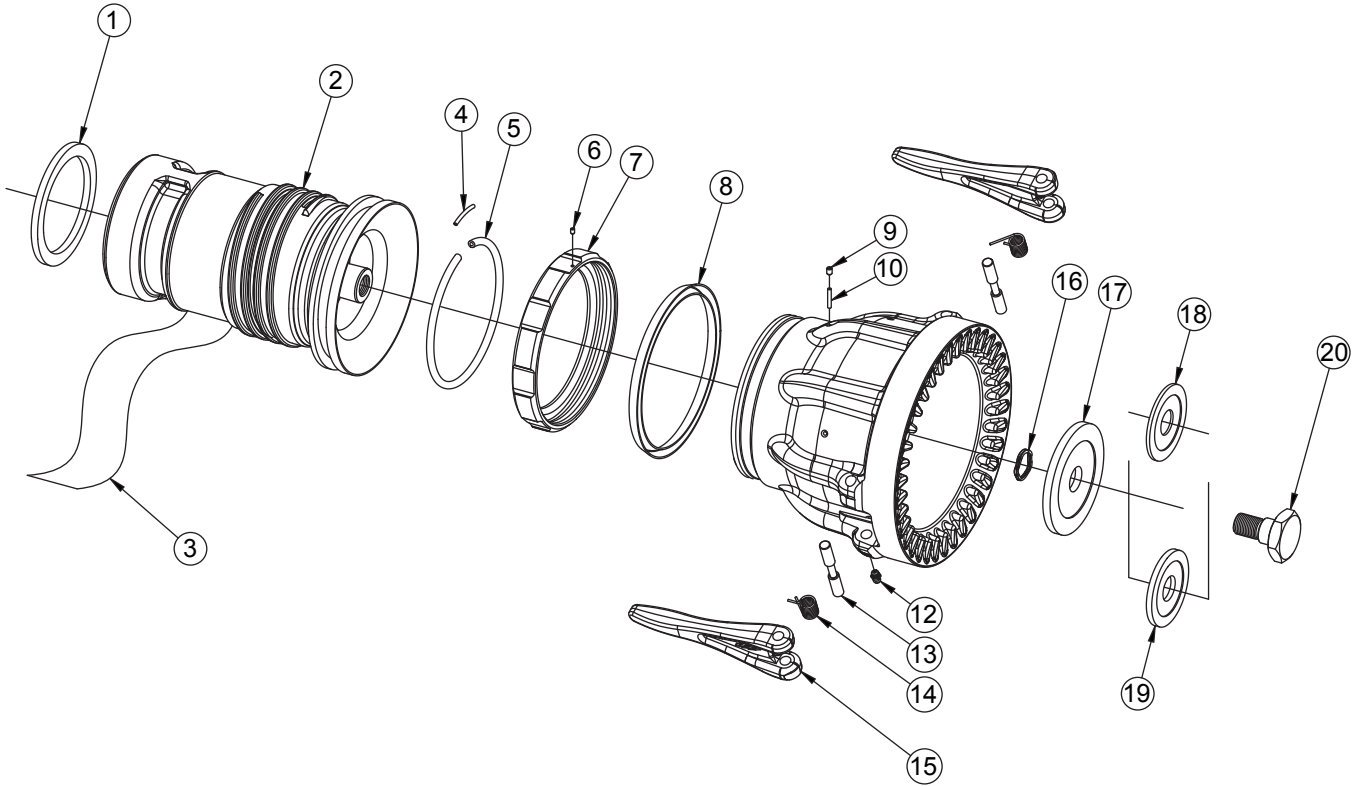


ITEM	DESCRIPTION	QTY	PART
1	BAFFLE 350 GPM	1	Z565
	BAFFLE 500 GPM	1	Z566
	BAFFLE 750 GPM	1	Z567
2	1/2-13 X 2 STUD - FULL THREAD	1	VT50-13SD2.0
3	BUMPER	1	Z700
4	STREAM SHAPER	1	Z505

ITEM	DESCRIPTION	QTY	PART
5	1/4-28 X 1/4 SOCKET SET SCREW	1	VT-25-28SS250
6	SHAPER SEAL 3.255 ID - DEFLASHED	1	Z330
7	IND. NOZ. BODY ALUM 2.5" NH	1	Z650ANJ
8	CAM PIN	1	Z660
9	NAME LABEL - ZN NOZZLE	1	ZL150
10	GASKET - 2.5" HOSE COUPLING	1	V3190

Z0 NOZZLE



ITEM	DESCRIPTION	QTY	PART
1	GASKET - 2.5"	1	V3190
2	ZO NOZZLE BODY 3.5"NH INLET	1	ZFM700N
	ZO NOZZLE BODY 3.5"BSP INLET		ZFM700B
3	NAME LABEL - ZO NOZZLE	1	ZFML250
	NAME LABEL - ZO NOZZLE - FM APPROVED		ZFML255
4	TUBING	1	ZFM745
5	TUBING	1	ZFM755
6	6-32 X 3/16 SOCKET SET SCREW	1	VT06-32SS187
7	ZO LOCK RING	1	ZFM725
8	CUP SEAL 6.25"OD X 5.5" X .375"	1	ZFM750
9	10-32 X 1/4 SOCKET SET SCREW	1	VT10-32SS250
10	1/8 X 3/4 HDP SPIROL PIN	1	VP125X750
11	ZO NOZZLE SHAPER	1	ZFM710
12	GREASE FITTING 1/4-28	1	VT25-28ZERK
13	PIVOT PIN	2	A4262
14	HANDLE TORSION SPRING	2	A4263
15	STORZ FOLDING HANDLE	2	A4261
16	ZO NOZZLE BAFFLE SPRING	1	ZFM740
17	BAFFLE K= 250	1	ZFM730
18	BAFFLE K= 175 & K=200	1	ZFM731
19	BAFFLE K= 125 & K=150	1	ZFM732
20	HEAVY HEX BOLT	1	ZFM720