

# EXTEND-A-GUN™

## EXTENDABLE WATERWAY SERIES

The **EXTEND-A-GUN™** series is an extendable waterway within a waterway. It allows deck mounted monitors the capability to raise from a stowed position to operate above apparatus obstructions like cab roofs, lighting, hose reels, or generators.

### EXTEND-A-GUN Features

- For storage, it can be lowered to deck level (or even into a monitor well).
- Monitors can be raised manually, electrically, or via air and can operate in a full 360-degree range.
- The Extend-A-Gun offers a hardcoat anodized finish, and built-in sensor for connection to “monitor raised” light or truck open compartment warning.
- It can be specified with new, or retrofitted to existing apparatus.



## TFT Offers Three Versions of the EXTEND-A-GUN

### EXTEND-A-GUN Manual



*Manual: 3" (76mm) Waterway with a 12" (30.5 cm) or 18" (45.7 cm) raise extension*

### EXTEND-A-GUN RC



*Electric Remote Controlled: 3" (76mm) or 4" (102 mm) Waterway with a 12" (30.5 cm) or 18" (45.7 cm) raise extension*

### EXTEND-A-GUN VP

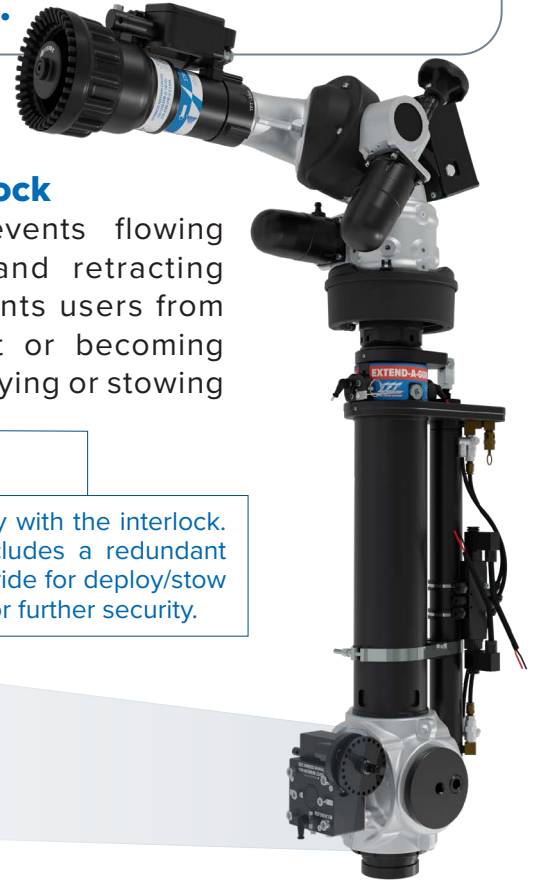
*Air Remote Controlled with Integrated Pump Valve.*

*3" (76mm) Waterway with an 18" (45.7 cm) raise extension. Pneumatically controlled deploy and stow operations plus a single integrated manual valve that can be plumbed in multiple configurations.*



# EXTEND-A-GUN VP

The latest addition to the TFT Extend-A-Gun series, the VP version offers a complete solution from TFT: monitor, nozzle, waterway, and valve! Deploy and stow operations are efficiently controlled by pneumatics and the inlet valve interlock system aids safe operations. Designed to flow up to 1,500 gpm (6000 L/min), choose from a variety of TFT monitors.

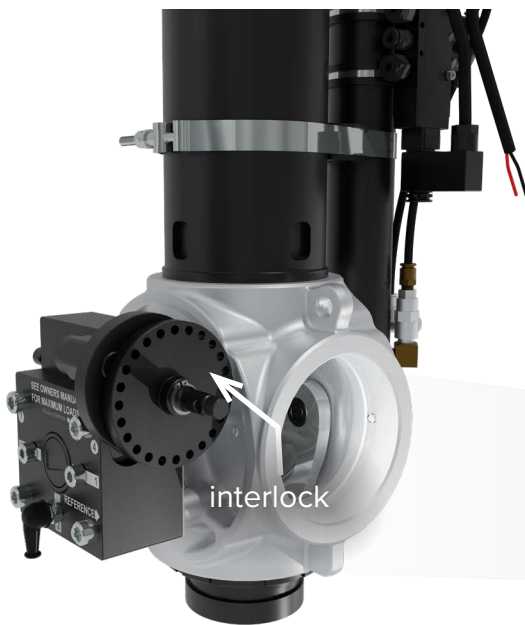


## Inlet Valve Interlock

The interlock prevents flowing while extending and retracting the VP. This prevents users from damaging the unit or becoming injured when deploying or stowing the system.



Built-in safety with the interlock. TFT also includes a redundant manual override for deploy/stow operations for further security.

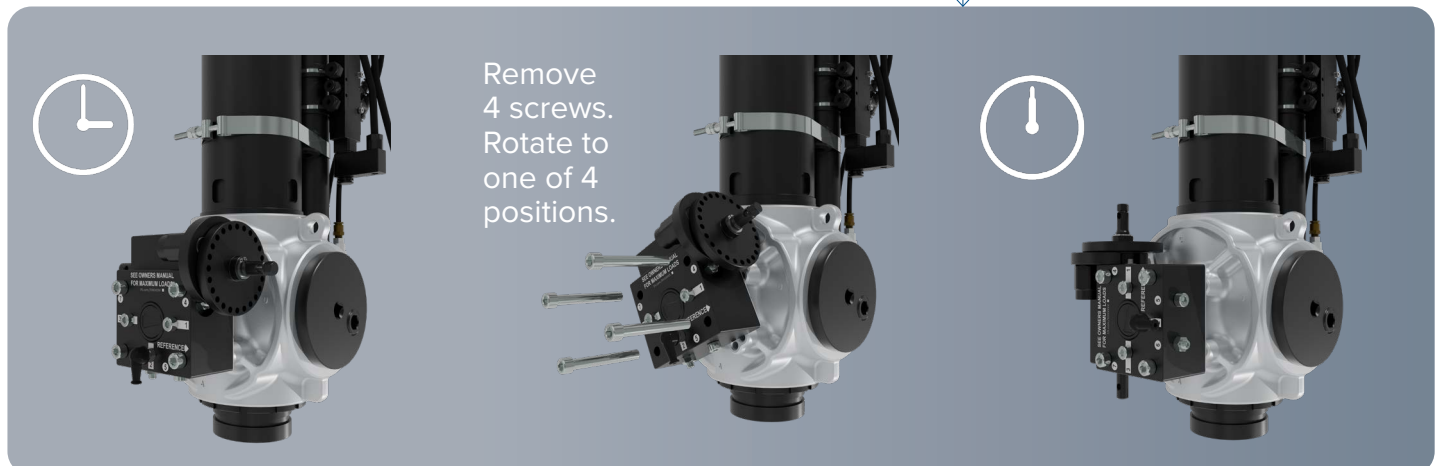


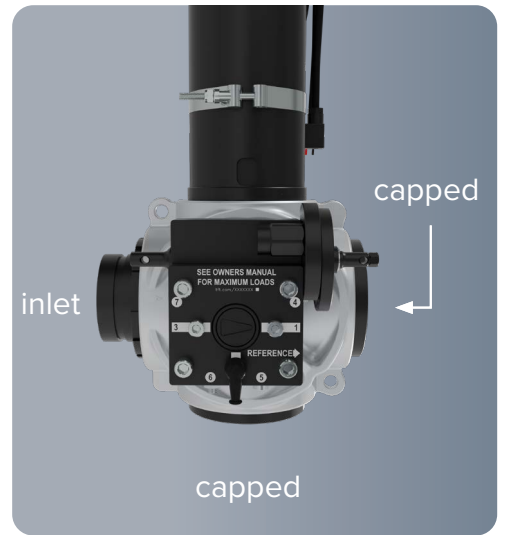
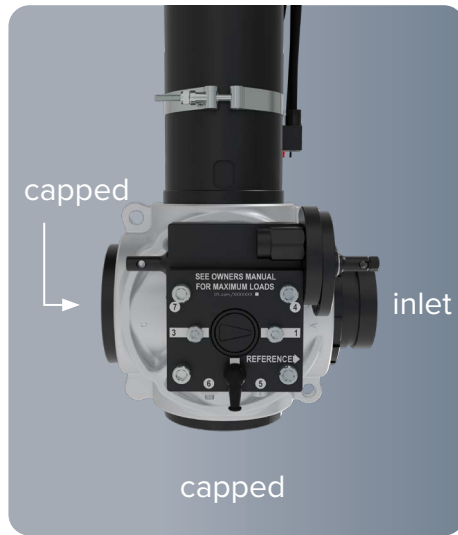
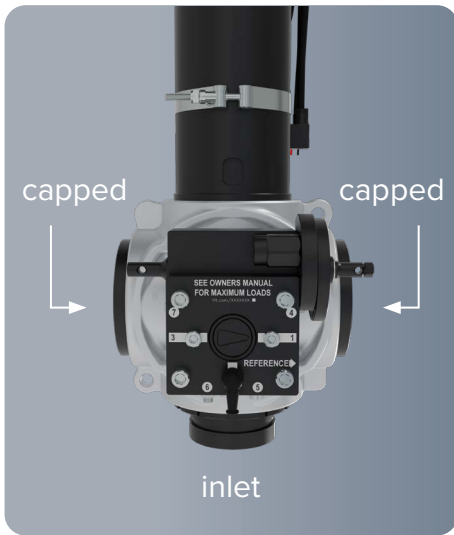
## Valve Control Flexibility

The gear box can be oriented one of four ways to allow the crankshaft to face 3, 6, 9, or 12 o'clock. Position selection can easily be changed by removing four screws.



In a single part (SKU) you can mount the gear box in one of four positions to ensure it fits your unique apparatus.





## Multiple Inlet Plumbing Options

The TFT valve offers unrivaled plumbing flexibility. In a single SKU, OEM's can install plumbing connection to the bottom or side of unit. The valve also allows for flexibility in height. If the outlet port for monitor needs to be higher, simply use bottom inlet. If outlet port for monitor needs to be lower, a choice of two side port options are available.



Compatible with a variety of pumps, panels, and plumbing configurations so it's easy to install as well as service in the field.

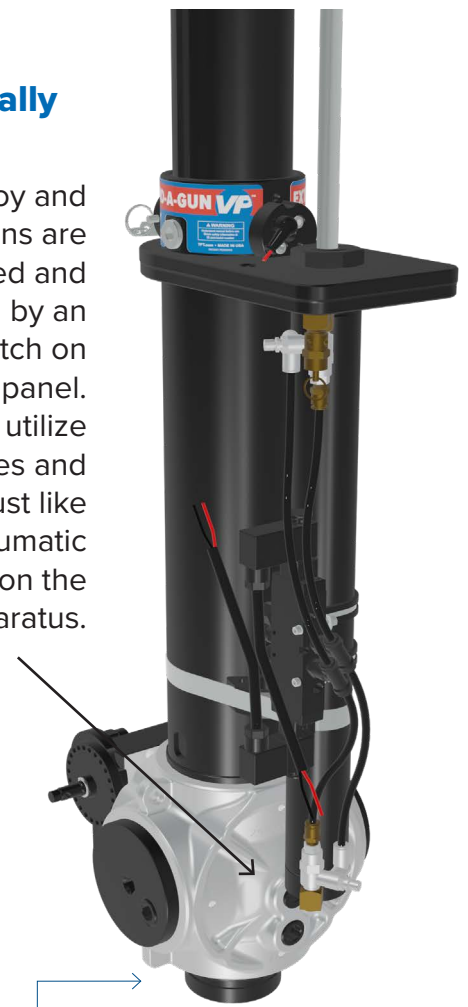


## Integrated Valve

TFT has integrated a manually controlled valve that eliminates the need for a separate inline valve upstream from the Extend-A-Gun. The valve incorporates TFT's proven half ball design for longevity.

## Pneumatically Controlled

The deploy and stow positions are air operated and controlled by an up/down switch on the pump panel. Installers can utilize standard lines and fittings just like other pneumatic equipment on the apparatus.



Toggle switch controls on the panel keep the operator safely on the ground when deploying and stowing the monitor.

# How To Order

## EXTEND-A-GUN (Manual)

MANUAL — TFT CODE — RLM OUTLET (For TFT Monitors with RLF inlets)		
INLET	MODEL #	EXTENSION
3" NPT (76mm)	XG12PL-RL	12" (30.5cm)
	XG18PL-RL	18" (45.7cm)
3" VICTAULIC (76mm)	XG12VL-RL	12" (30.5cm)
	XG18VL-RL	18" (45.7cm)

MANUAL — CROSSFIRE OUTLET (Only Fits Crossfire Monitor Top)		
INLET	MODEL #	EXTENSION
3" NPT (76mm)	XG12PL-XL	12" (30.5cm)
	XG18PL-XL	18" (45.7cm)
3" VICTAULIC (76mm)	XG12VL-XL	12" (30.5cm)
	XG18VL-XL	18" (45.7cm)

MANUAL — OUTLET 3" NPT (Taper Pipe Male) Fits Any Monitor Top		
INLET	MODEL #	EXTENSION
3" NPT (76mm)	XG12PL-PL	12" (30.5cm)
	XG18PL-PL	18" (45.7cm)
3" VICTAULIC (76mm)	XG12VL-PL	12" (30.5cm)
	XG18VL-PL	18" (45.7cm)

## EXTEND-A-GUN RC

RC3 — TFT CODE-RLM OUTLET (For TFT Monitors with RLF inlets)		
INLET	MODEL #	EXTENSION
3" BSP (76mm)	XGA32BL-RL	12" (30.5cm)
	XGA38BL-RL	18" (45.7cm)
3" NPT (76mm)	XGA32PL-RL	12" (30.5cm)
	XGA38PL-RL	18" (45.7cm)
3" VICTAULIC (76mm)	XGA32VL-RL	12" (30.5cm)
	XGA38VL-RL	18" (45.7cm)

RC3 — CROSSFIRE OUTLET (Only Fits Crossfire Monitor Top)		
INLET	MODEL #	EXTENSION
3" BSP (76mm)	XGA38BL-XL	18" (45.5cm)
3" NPT (76mm)	XGA38PL-XL	18" (45.7cm)
3" VICTAULIC	XGA38VL-XL	18" (45.7cm)

RC4 — TFT CODE — RPM OUTLET (For TFT Monitors with RPF inlets)		
INLET	MODEL #	EXTENSION
4" BSP (102mm)	XGA42BP-RP	12" (30.5cm)
4" BSP (102mm)	XGA48BP-RP	18" (45.7cm)
4" NPT (102mm)	XGA42PP-RP	12" (30.5cm)
4" NPT (102mm)	XGA42PP-RP	18" (45.7cm)
4" VICTAULIC	XGA42VP-RP	12" (30.5cm)
4" VICTAULIC	XGA48VP-RP	18" (45.7cm)

## EXTEND-A-GUN VP

INLET	MODEL	EXTENSION	OUTLET
3" VICTAULIC (76mm)	XGC38VL-RL	18" (45.7cm)	TFT CODE-RLM OUTLET (For TFT Monitors with RLF inlets)
3" VICTAULIC (76mm)	XGC38VL-XL	18" (45.7cm)	CROSSFIRE Outlet (Monitor Top)
3" VICTAULIC (76mm)	XGC38VL-PL	18" (45.7cm)	3" NPT (76mm)

## Specs

Features	EXTEND-A-GUN	EXTEND-A-GUN RC3	EXTEND-A-GUN RC4	EXTEND-A-GUN VP
Waterway	3" (76mm)	3" (76mm)	4" (102mm)	3" (76mm)
Raise Extensions	12" (30.5cm) or 18" (45.7cm)	12" (30.5cm) or 18" (45.7cm)	12" (30.5cm) or 18" (45.7cm)	18" (45.7cm)
Compatible Monitors	Variety	TFT Only**	TFT Only**	Variety
Position Sensor	Included	Included	Included	Included
Controllers	Manual	Any TFT RC Controller*	Any TFT RC Controller*	Toggle Switch
Valves	No Integrated Valve	No Integrated Valve	No Integrated Valve	Integrated Valve
Deploy and Stow	Manual	Electric	Electric	Pneumatic
Operating Voltage	12v***	12v***	12v***	12v

\*except toggle switch  
 \*\* excludes Tsunami  
 \*\*\* also available in 24v



**EXTEND-A-GUN SERIES  
 PLEASE SCAN CODE  
 FOR MORE INFO**

