

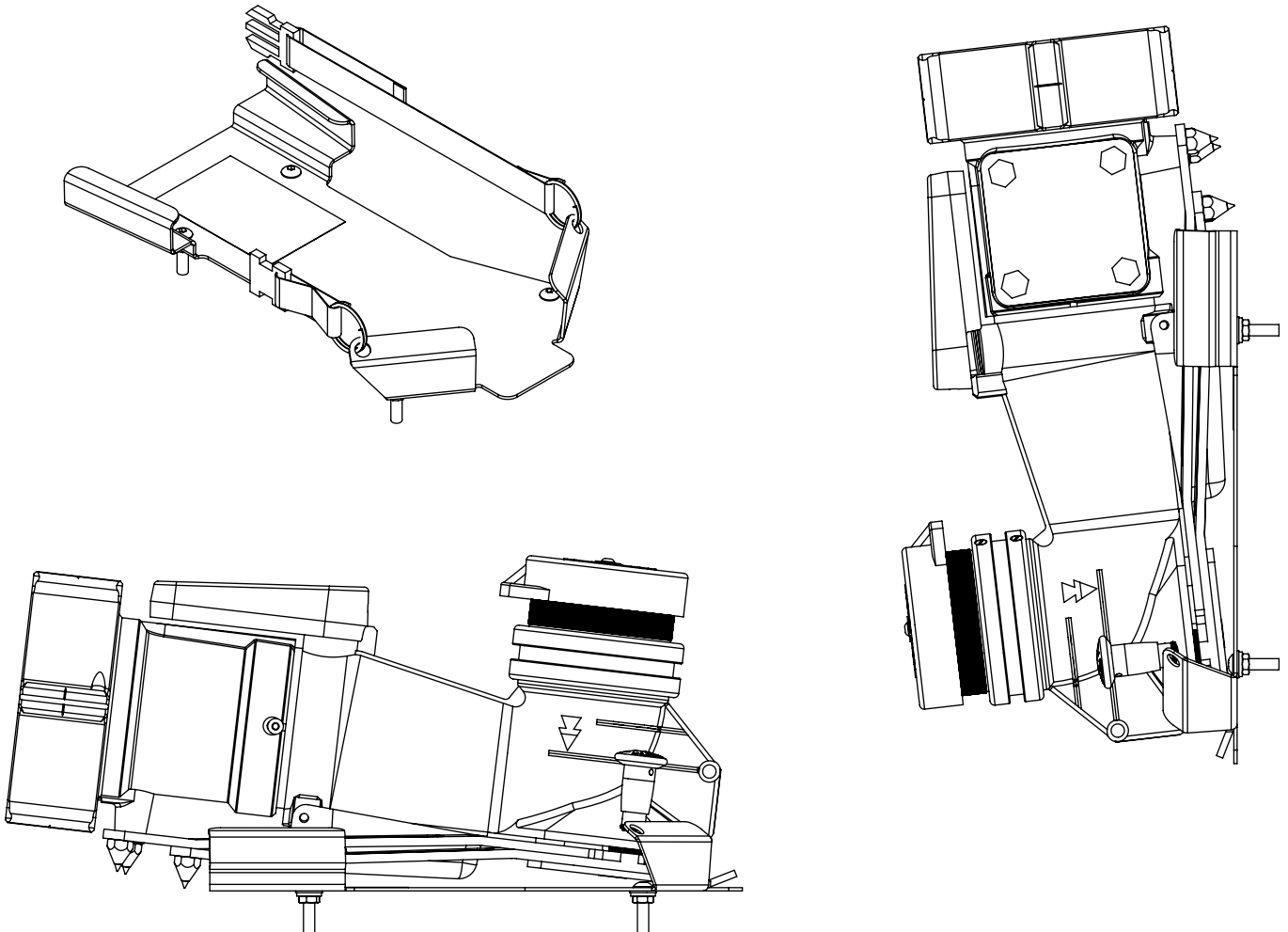
### INSTRUCTIONS FOR INSTALLATION

#### **WARNING**

The Portable Monitor Storage Bracket is designed only to store the Portable Monitor. Attempting to flow from the storage bracket can cause the monitor to become dislodged from the bracket and out of control, causing severe injury or death. Always properly deploy the monitor before flowing.

#### **NOTICE**

To reduce the risk of equipment damage, the storage bracket must be securely mounted to a surface capable of supporting the weight of the monitor and nozzle, including any shock loads that may result from rough roads. It is the responsibility of the installer to determine that the installation is capable of these loads.



## 1.0 STORAGE BRACKET INSTALLATION

Tools Required:

- Electric Drill
- Drill Bits (see table for correct sizes)
- #3 Phillips Screw Driver
- 7/16" or Adjustable Wrench
- 5/32" Hex Key

The Crossfire Portable Monitor storage bracket must be securely mounted to a surface capable of supporting the weight of the monitor including any shock loads that may result from rough roads. The storage bracket may be mounted on a vertical surface or a horizontal surface with the nozzle end pointing down or sideways. It is the responsibility of the installer to determine if the installation is capable of these loads.

Blind Mounting may be used if the material beneath the Crossfire Storage Bracket is thick and substantial enough for the self-tapping screws to be screwed directly into the mounting surface.

If the backside of the mounting surface is accessible, clearance holes may be drilled, and nuts and washers may be used to retain mounting screws.

It is the responsibility of the installer to determine if the mounting surface is satisfactory.

### 1.1 FOR BLIND MOUNTING

1. Make sure the material beneath the bracket is substantial and thick enough to hold self-tapping screws as well as the weight of the monitor base. A minimum thickness of 3/32" (.093" - 2.4 mm) in aluminum and 5/64" (.078" - 2 mm) in steel is recommended.
2. Lay the bracket in the area where the monitor base will be mounted. The end of the bracket with the strap goes toward the outlet. Make sure there is enough clearance to get the monitor base in and out of the bracket and that it does not interfere with other equipment on the truck.
3. Make sure the area on the other side of the mounting surface is clear of wires or anything else that may be damaged if drilled into.
4. Use the chart to determine the correct hole size for the self-tapping screws.

Hole Size Chart for Self Tapping Screws							
ALUMINUM				STEEL			
Material Thickness	Inches	mm	Use Drill	Material Thickness	Inches	mm	Use Drill
3/32"	.206	5.2	#5	5/64"-3/32"	.213	5.4	#3
1/8"	.213	5.4	#3	1/8"	.221	5.6	#2
3/16"	.221	5.6	#2	3/16"	.228	5.8	#1

Table 1.1

5. Put washers on the screws before installing. Using the bracket for a pattern, drill through one of the holes in the bracket and into the mounting surface. Install one screw to secure.
6. While the first screw holds the bracket from moving, drill the remaining holes and screw in the remaining screws.
7. Place the label on the bracket as shown.

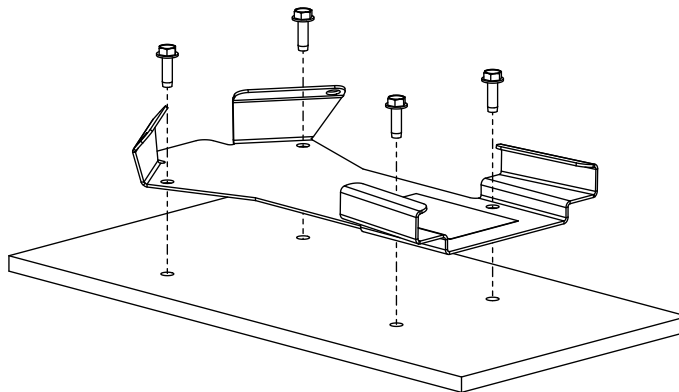


Figure 1.1

## 1.2 FOR MOUNTING WHERE THE BACK OF THE MOUNTING SURFACE IS ACCESSIBLE

1. Make sure the material beneath the bracket is substantial enough to hold the weight of the monitor base.
2. Lay the bracket in the area where the monitor will be mounted. The end of the bracket with the strap goes toward the outlet. Make sure there is enough clearance to get the monitor base in and out of the bracket and that it does not interfere with other equipment on the truck.
3. Make sure the area on the other side of the mounting surface is clear of wires or anything else that may be damaged if drilled into.
4. Using the bracket as a pattern, drill one ¼" (.250" - 6.4 mm) diameter hole through one of the holes in the bracket. Bolt the bracket to the mounting surface, installing the washers and nuts on the backside.
5. While the first screw holds the bracket from moving, drill the remaining holes and install the remaining screws. Secure with washers and nuts.
6. Place the label on the bracket as shown.

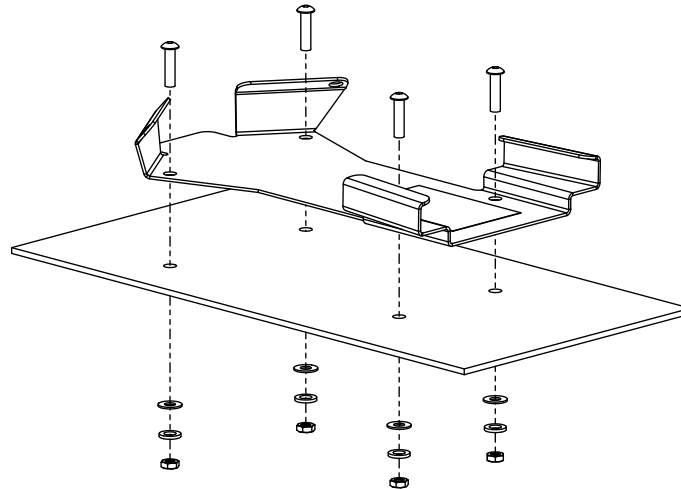


Figure 1.2

## 2.0 STORING THE MONITOR IN THE BRACKET

To store the monitor base in the bracket:

1. Open the lock strap.
2. Slide the monitor base into the bracket outlet end first until the folded legs are captured in the bent tabs and the outlet is nested in the strap end of the bracket.
3. Secure the outlet end with the lock strap.

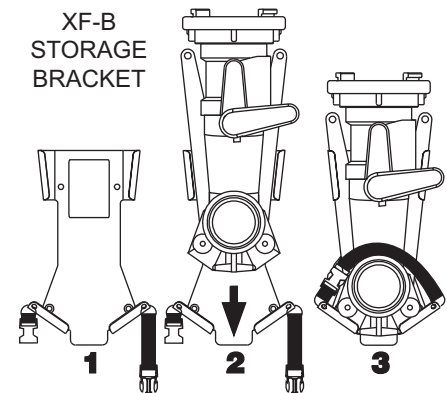


Figure 2.0

### 3.0 WARRANTY

Task Force Tips LLC, 3701 Innovation Way, Valparaiso, Indiana 46383-9327 USA ("TFT") warrants to the original purchaser of its products ("equipment"), and to anyone to whom it is transferred, that the equipment shall be free from defects in material and workmanship during the five (5) year period from the date of purchase. TFT's obligation under this warranty is specifically limited to replacing or repairing the equipment (or its parts) which are shown by TFT's examination to be in a defective condition attributable to TFT. To qualify for this limited warranty, the claimant must return the equipment to TFT, at 3701 Innovation Way, Valparaiso, Indiana 46383-9327 USA, within a reasonable time after discovery of the defect. TFT will examine the equipment. If TFT determines that there is a defect attributable to it, TFT will correct the problem within a reasonable time. If the equipment is covered by this limited warranty, TFT will assume the expenses of repair.

If any defect attributable to TFT under this limited warranty cannot be reasonably cured by repair or replacement, TFT may elect to refund the purchase price of the equipment, less reasonable depreciation, in complete discharge of its obligations under this limited warranty. If TFT makes this election, claimant shall return the equipment to TFT free and clear of any liens and encumbrances.

This is a limited warranty. The original purchaser of the equipment, any person to whom it is transferred, and any person who is an intended or unintended beneficiary of the equipment, shall not be entitled to recover from TFT any consequential or incidental damages for injury to person and/or property resulting from any defective equipment manufactured or assembled by TFT.

It is agreed and understood that the price stated for the equipment is in part consideration for limiting TFT's liability. Some states do not allow the exclusion or limitation of incidental or consequential damages, so the above may not apply to you.

TFT shall have no obligation under this limited warranty if the equipment is, or has been, misused or neglected (including failure to provide reasonable maintenance) or if there have been accidents to the equipment or if it has been repaired or altered by someone else.

**THIS IS A LIMITED EXPRESS WARRANTY ONLY. TFT EXPRESSLY DISCLAIMS WITH RESPECT TO THE EQUIPMENT ALL IMPLIED WARRANTIES OF MERCHANTABILITY AND ALL IMPLIED WARRANTIES OF FITNESS FOR A PARTICULAR PURPOSE. THERE IS NO WARRANTY OF ANY NATURE MADE BY TFT BEYOND THAT STATED IN THIS DOCUMENT.**

This limited warranty gives you specific legal rights, and you may also have other rights which vary from state to state.