



PRODUCT BULLETIN

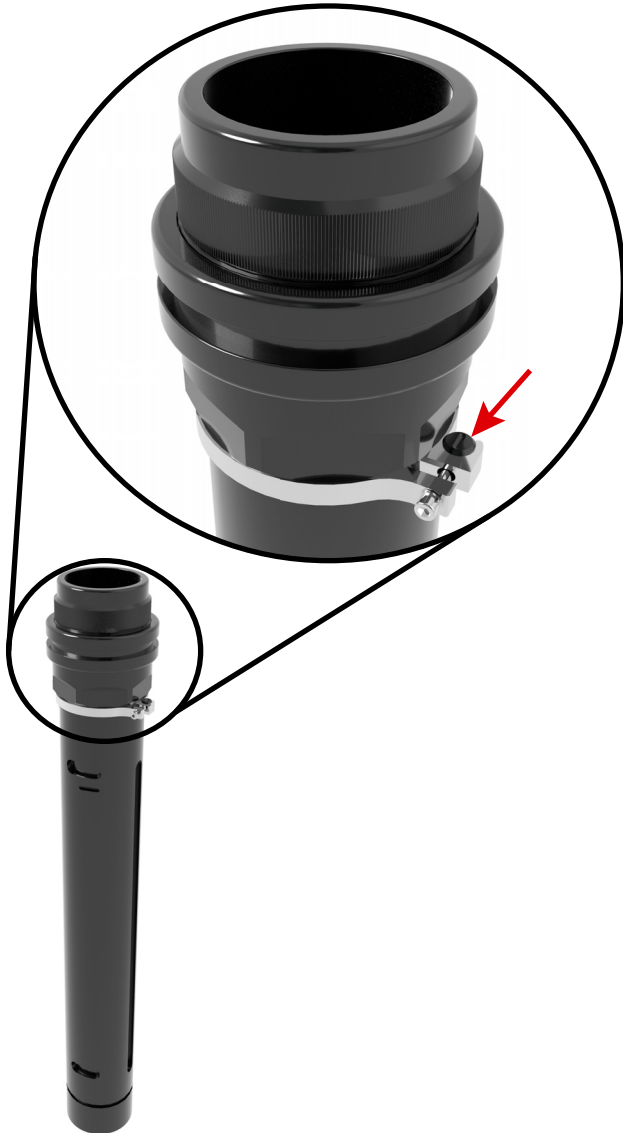
Manual Extend-A-Gun with Crossfire[®] Inlet Mount

A design change was made to all manual Extend-A-Gun models designed for use with Crossfire Monitor.

The monitor clamp assembly at the bottom of the Extend-A-Gun outlet is replaced by (2) set screws.

**PREVIOUS DESIGN
THROUGH 2/2022**

**UPDATED DESIGN
BEGINNING 3/2022**



| Features and Benefits | |
|-----------------------|--|
| Lower Profile Design | Reduced snagging and interference from clamp |
| Reduced Part Count | Easier maintenance |
| Pin Spanner Pockets | |

TASK FORCE TIPS LLC
MADE IN USA · tft.com

3701 Innovation Way, Valparaiso, IN 46383-9327 USA
800-348-2686 · 219-462-6161 · Fax 219-464-7155