



Product Bulletin

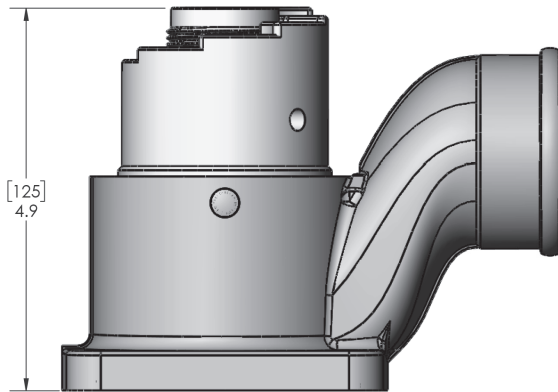
Pressure Relief Valve Configuration with Galvanic Isolator

TFT now offers Pressure Relief Valve (PRV) configurations with an integrated galvanic isolator designed to mitigate the effects of corrosion for use with non-TFT products, or installed adjacent to materials other than aluminum.

The PRV model without the integrated galvanic is still ideal for use on TFT products and aluminum appliances. Contact TFT to confirm part number accuracy.

PRV Without Galvanic Isolator

Installed on TFT products



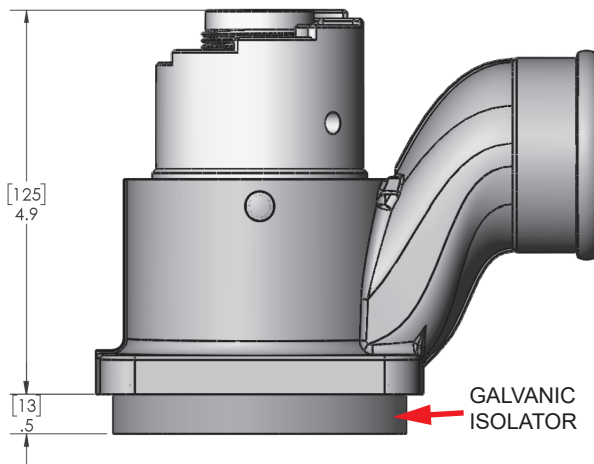
Dimensions in inches [millimeters].

The models listed in the table below come standard with the integrated galvanic isolator.

| MODEL | INLET | OUTLET | COLOR |
|-----------|---------------|----------------|-----------------|
| A1810 | Flange | Non-threaded | Stardust Silver |
| A1811 | 2.5" NPT(M) | Non-threaded | Stardust Silver |
| A1812 | 2.5" NPT(F) | Non-threaded | Stardust Silver |
| A1813 | 3.0" NPT(M) | Non-threaded | Stardust Silver |
| A1814 | 3.0" NPT(F) | Non-threaded | Stardust Silver |
| A1875 | Flange | Non-threaded | Stardust Silver |
| A1820 | Flange | 2.0" NPT(M) | Stardust Silver |
| A1821 | 2.5" NPT(M) | 2.0" NPT(M) | Stardust Silver |
| A1822 | 2.5" NPT(F) | 2.0" NPT(M) | Stardust Silver |
| A1823 | 3.0" NPT(M) | 2.0" NPT(M) | Stardust Silver |
| A1824 | 3.0" NPT(F) | 2.0" NPT(M) | Stardust Silver |
| A1831 | Flange | 2.5" NPT(M) | Stardust Silver |
| A1870 | Flange | 2.0" NPT(M) | Stardust Silver |
| A1870-RAL | Flange | 2.0" NPT(M) | RAL 3000 Red |
| A1850 | Flange | 2.5" Victualic | Stardust Silver |
| A1856 | 2.5" NPT(M) | 2.5" Victualic | Stardust Silver |
| A1857 | 2.5" NPT(F) | 2.5" Victualic | Stardust Silver |
| A1858 | 3.0" NPT(M) | 2.5" Victualic | Stardust Silver |
| A1859 | 3.0" NPT(F) | 2.5" Victualic | Stardust Silver |
| A1860 | Flange | 2.5" NH(M) | Stardust Silver |
| A1866 | 2.5" NPT(M) | 2.5" NH(M) | Stardust Silver |
| A1867 | 2.5" NPT(F) | 2.5" NPT(F) | Stardust Silver |
| A1868 | 3.0" NPT(M) | 2.5" NH(M) | Stardust Silver |
| A1869 | 3.0" NPT(F) | 2.5" NH(M) | Stardust Silver |
| A1830 | Darley Flange | Non-threaded | Stardust Silver |
| A1840 | Darely Flange | 2.0" NPT(M) | Stardust Silver |
| A1865 | Darley Flange | 2.5" NH(M) | Stardust Silver |

Galvanic Isolator Model

For use on non-Aluminum installations or installed on non-TFT products.



NOTE: Galvanic Isolator models require 1/2" additional bolt length to ensure proper thread engagement

For further details see TFT website Library; Document LIA-202, MANUAL: PRESSURE RELIEF VALVE