



Product Bulletin

VORTEX® Coupling Change to SVFG-NJ and SVFV-NJ

A design change has been made to the coupling on the Vortex finished goods SVFG-NJ and SVFV-NJ.

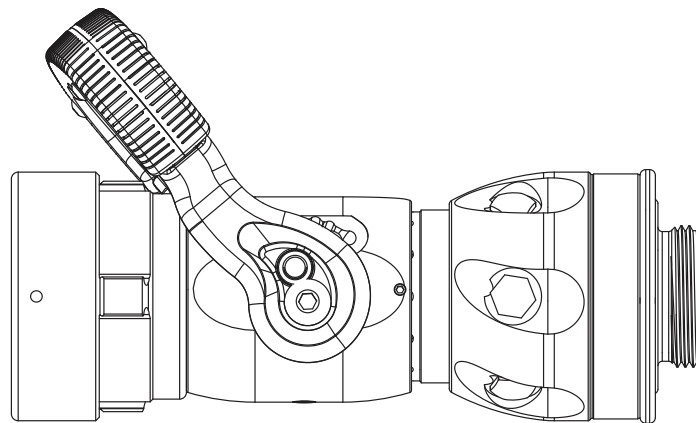
This change affects the following finished goods:

SVFV-NJ VORTEX W/ DETENT VALVE 2.5"NHF X 1.5"NHM

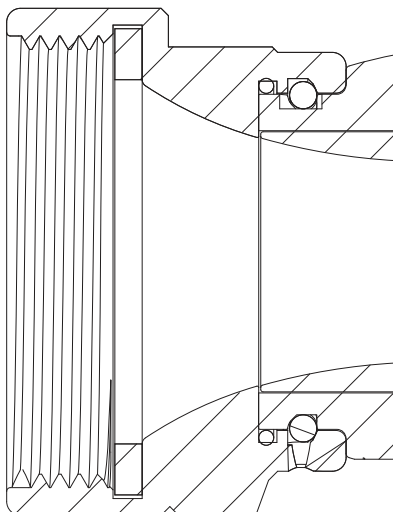
SVFG-NJ VORTEX W/ DETENT VALVE & GRIP 2.5"NHF X 1.5"NHM

The 2.5" inlet coupling on the Vortex has been changed (effective September 2019) from a full-time swivel (P205) coupling to a non-full time swivel (P207) coupling.

This change allows for easy coupling and uncoupling of the valve and nozzle assemblies, and helps prevent the valve from turning when turning the stream shaper.



**Old Coupling (P205)
Full Time Swivel**



**New Coupling (P207)
Non-Full Time Swivel**

