



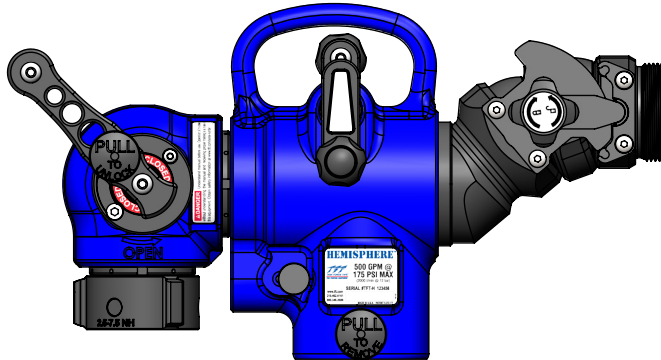
# Product Bulletin

## Hemisphere™ Transportable Monitor 45 Degree Inlet

**A design change has been made to the Hemisphere Transportable Monitor.**

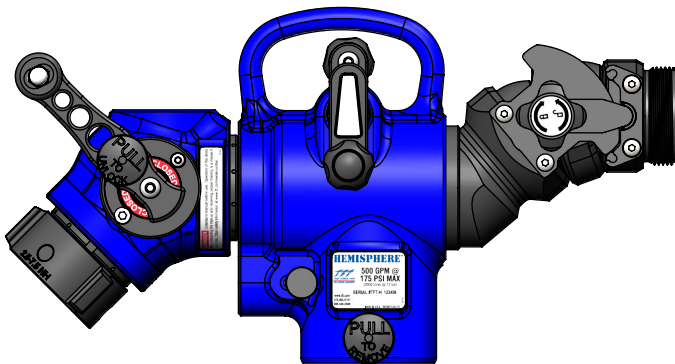
The Hemisphere Transportable Monitor is now equipped with a 45 degree angled inlet, standard on all configurations. The 45 degree angle of the inlet increases ease of operation by significantly reducing hose kinking issues. The inlet is also available with or without an integrated pressure gauge. Integrating the gauge with the inlet casting offers increased ruggedness and gauge protection.

### PREVIOUS DESIGN FROM 7/2013 to 5/2020

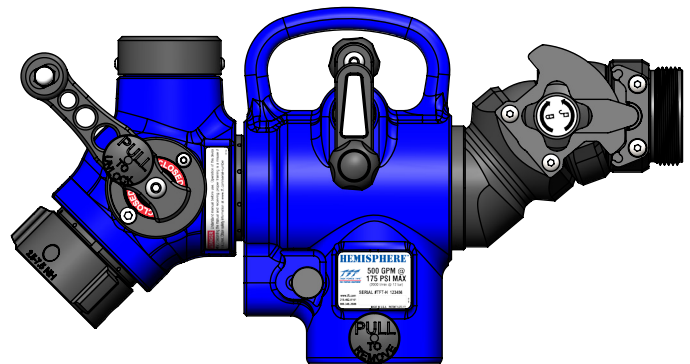


90 DEGREE INLET NO GAUGE

### REVISED DESIGN EFFECTIVE AFTER 6/2020



45 DEGREE INLET NO GAUGE



45 DEGREE INLET WITH GAUGE

Features and Benefits	
45 Degree Inlet	Directs hose to reduce kinking
Field Retrofit Kits Available	HPM-45-KIT (valve only) HPMG-45-KIT (valve with integrated gauge)
2.5" Pressure Gauge	Easy to read gauge face (300 psi) Glycerin filled
Cast-in Gauge Housing	Increased protection