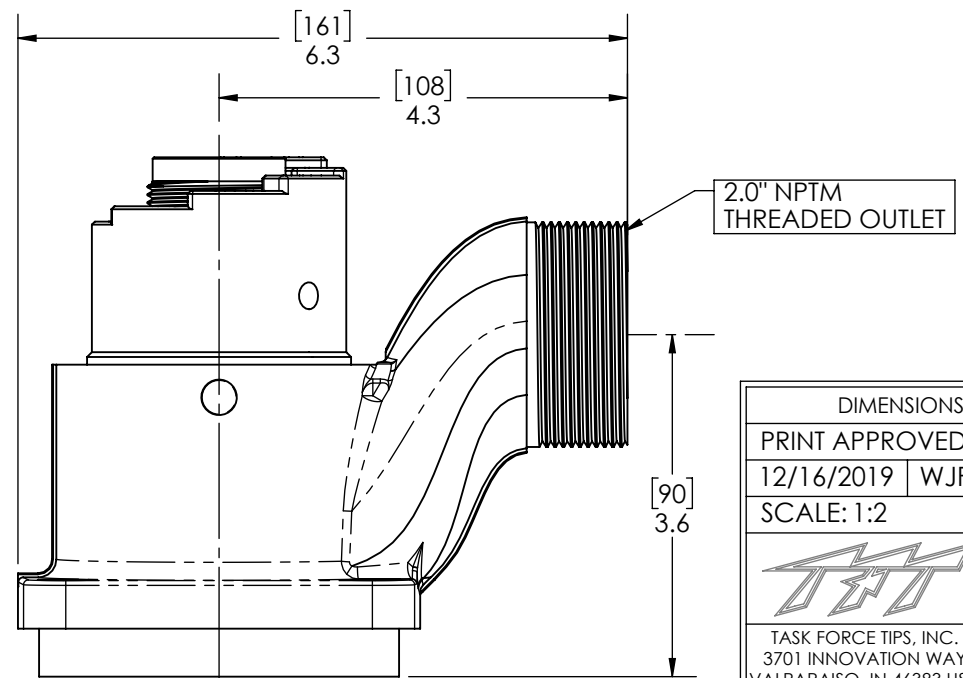
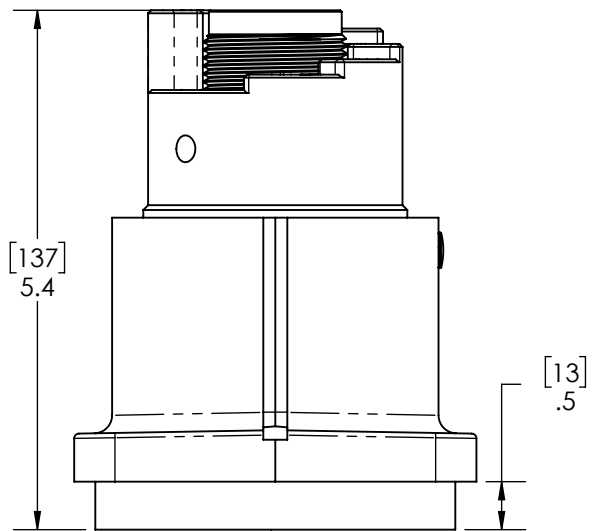



SCALE 1:3



DIMENSIONS IN INCHES [mm]			
PRINT APPROVED		PRINT CHNG ENG	
12/16/2019	WJF	12/13/19	LTT
SCALE: 1:2		REV	DATE INIT
		4	12/13/19 LTT
		PRINT DRAWN	
TASK FORCE TIPS, INC.		05/20/2003	CPD
3701 INNOVATION WAY		DESIGN ENGINEER	
VALPARAISO, IN 46383 USA		<i>Dave Kolacz</i>	
(219)462-6161			

ITEM: A1840 SHEET 1 of 1 DESCR: RELIEF VALVE 2.0"NPTM

EXTRA DESCR: DARLEY B.C. ALUM