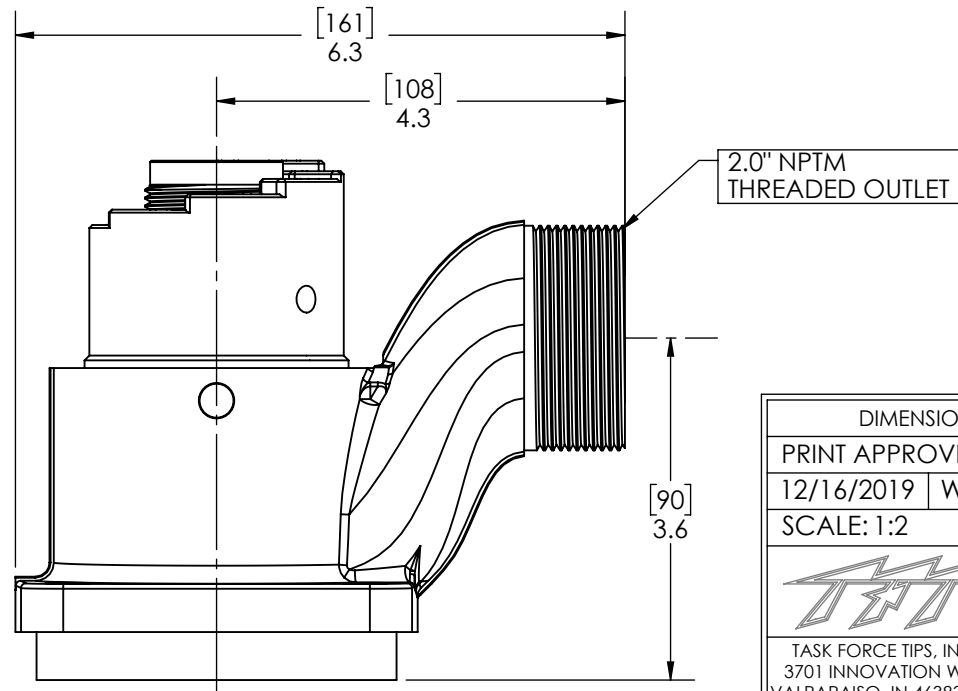
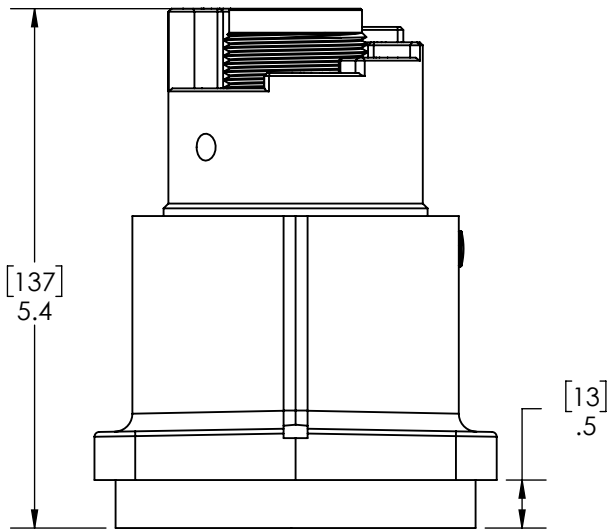



SCALE 1:3



DIMENSIONS IN INCHES [mm]			
PRINT APPROVED		PRINT CHNG ENG	
12/16/2019	WJF	12/13/19	LTT
SCALE: 1:2		REV	DATE INIT
		4	12/13/19 LTT
		PRINT DRAWN	
		05/7/07	CPD
TASK FORCE TIPS, INC. 3701 INNOVATION WAY VALPARAISO, IN 46383 USA (219)462-6161		DESIGN ENGINEER	
		Dave Kolacz	

ITEM: A1820

SHEET  
1 of 1

DESCR: RELIEF VALVE 2.0"NPTM

EXTRA DESCR: ALUMINUM