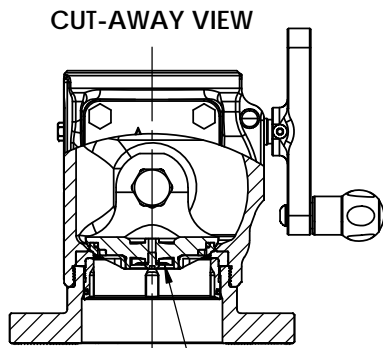
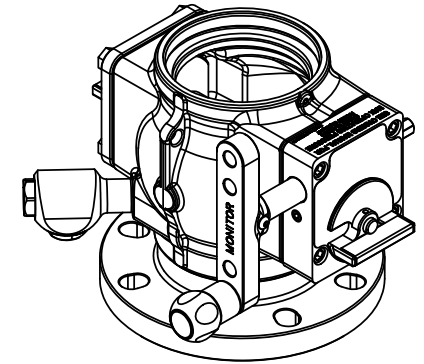
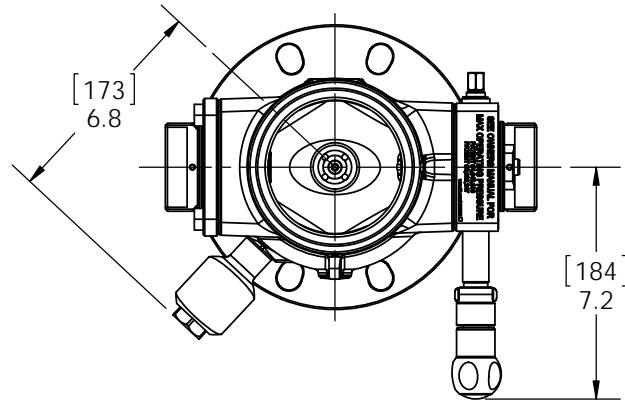
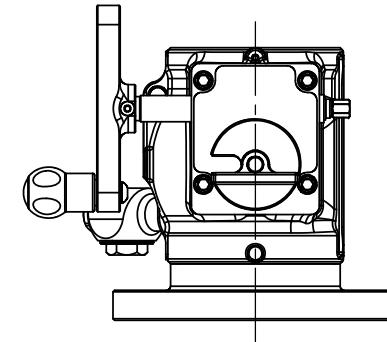
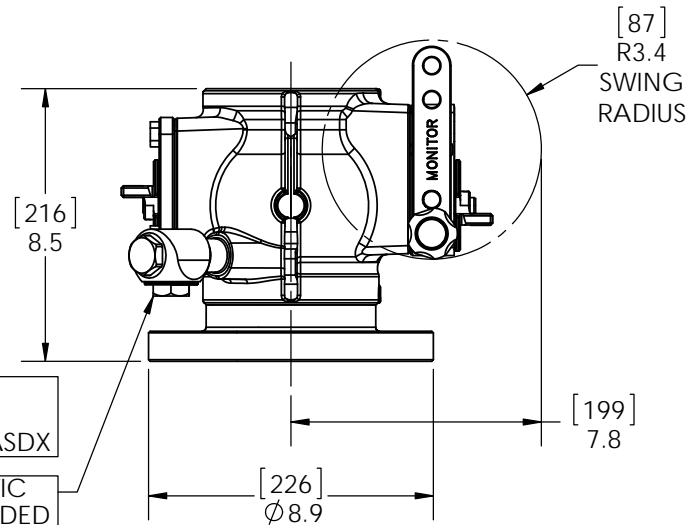


FOR USE WITH TASK FORCE TIPS, INC.
MONITORS WITH CODE-RRM INLET ONLY




INTERNAL AUTOMATIC
DRAIN VALVE INCLUDED
FOR MODELS ZAADX & ZASDX

EXTERNAL AUTOMATIC
DRAIN VALVE INCLUDED
FOR ALL MODELS



DIMENSIONS IN INCHES [mm]

PRINT APPROVED		PRINT CHNG ENG		
3/18/13	MJS			
SCALE: 1/6		REV	DATE	INIT
 TASK FORCE TIPS, INC. 3701 INNOVATION WAY VALPARAISO, IN 46383 USA (219)462-6161		PRINT DRAWN		
		2/7/13 MAS		
		DESIGN ENGINEER		
			<i>Alex C. Yovanovich</i>	

ITEM: ZAAZX	SHEET 1 of 1	DESCR: IVUM 4 ALUM 4"ANSI EXTRN_DRN X CODE-RRF
ITEM: ZASDX	SHEET 1 of 1	DESCR: IVUM 4 SS 4"ANSI INTRNL_DRN X CODE-RRF
ITEM: ZASZX	SHEET 1 of 1	DESCR: IVUM 4 SS 4"ANSI EXTRNL_DRN X CODE-RRF
ITEM: ZAADX	SHEET 1 of 1	DESCR: IVUM 4 ALUM 4"ANSI INTRNL_DRN X CODE-RRF

EXTRA DESCR: ALSO FITS DN100 PN16