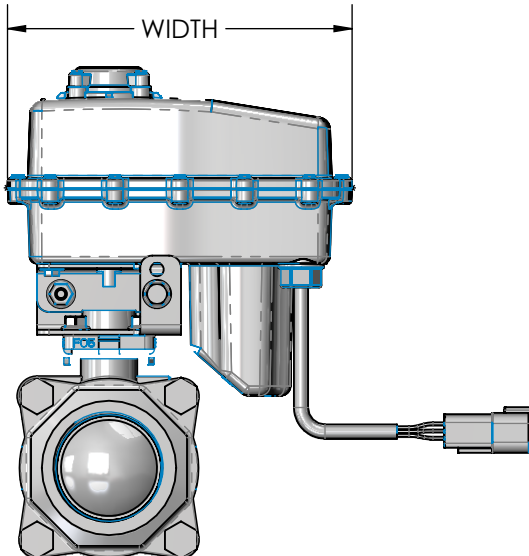
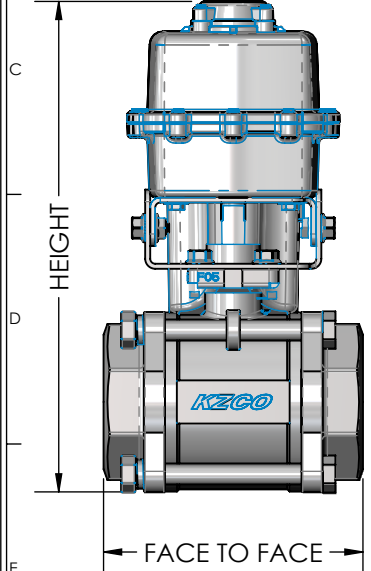


YE-VKG-PD 1" NPT  
 YE-VKG-PF 1 1/2" NPT  
 YE-VKG-PH 2" NPT

ENCLOSURE SPECS:  
 10" X 5.8" X 2.2"

RECEPTACLE FOR  
 TETHER OR JOYSTICK  
 OPERATOR STATION  
 20' CABLE  
 FOR MONITOR  
 15' CABLE  
 FOR POWER  
 20' CABLE  
 FOR VALVE  
 FITTING FOR OPTIONAL  
 CONTROL CABLE



VALVE KIT SPECS			
THREAD SIZE	FACE TO FACE (IN)	HEIGHT (IN)	WIDTH (IN)
1" NPT	3.6	8.6	7.2
1 1/2" NPT	4.8	9.6	7.2
2" NPT	5.4	10.2	7.2

DIMENSIONS IN INCHES [mm]			
PRINT APPROVED		PRINT CHNG ENG	
7/7/14	TOM	6/13/14	SJF
SCALE: 1/4		REV	DATE INIT
		1	6/19/14 MAS
		PRINT DRAWN	
		11/8/11	SJF
		DESIGN ENGINEER	
		<i>Steven J. Ferry</i>	

ITEM: YE-VKG-PH	SHEET 1 of 1	DESCR: VALVE KIT 2" NPT
ITEM: YE-VKG-PF	SHEET 1 of 1	DESCR: VALVE KIT 1 1/2" NPT
ITEM: YE-VKG-PD	SHEET 1 of 1	DESCR: VALVE KIT 1" NPT

EXTRA DESCR: GATEABLE VALVE & CONTROL INTERFACE

TASK FORCE TIPS, INC.  
 3701 INNOVATION WAY  
 VALPARAISO, IN 46383 USA  
 (219)462-6161

TFT\_APRLIST.SLDDRT