

Ⓜ

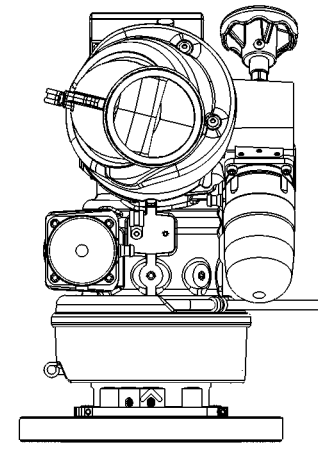
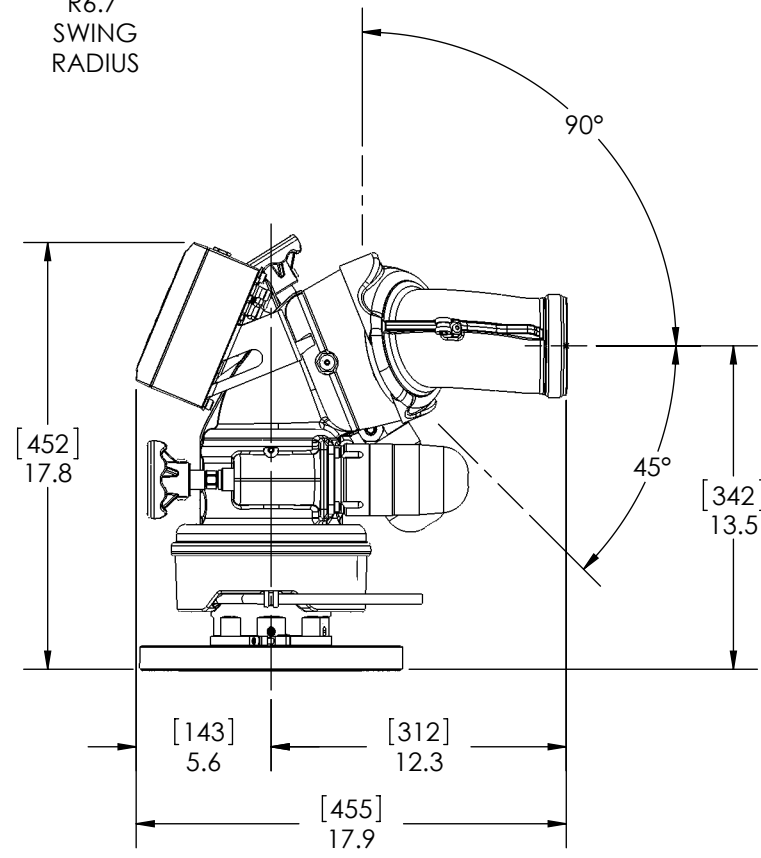
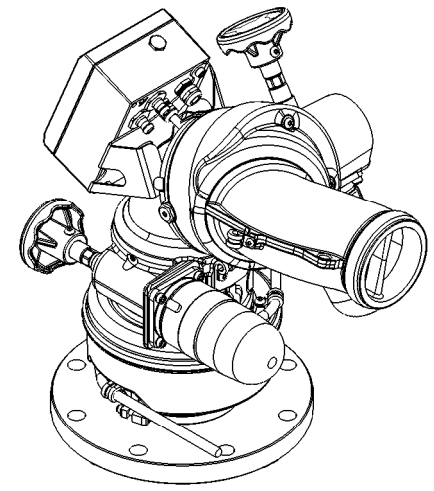
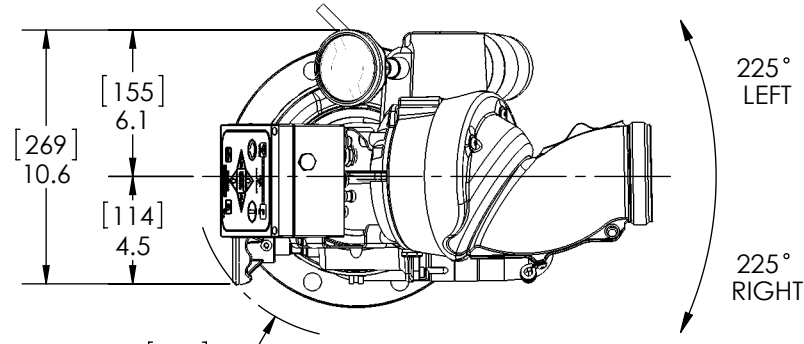
A


B

C

D

E



DIMENSIONS IN INCHES [mm]			
PRINT APPROVED		PRINT CHNG ENG	
1/22/2014	JLC	1/1/14	MJS
SCALE: 1/8		REV	DATE INIT
		1	1/21/14 MAS
		PRINT DRAWN	
TASK FORCE TIPS, INC. 3701 INNOVATION WAY VALPARAISO, IN 46383 USA (219)462-6161		6/17/11 CPD	
		DESIGN ENGINEER	
		Dave Kolacz	

ITEM: Y4-E31A-A

SHEET
1 of 1

DESCR: ATEX MONSOON RC 6"ANSI 150 INLET

EXTRA DESCR: 3.5"NH MALE OUTLET - RED 2.4GHZ ONLY

TFT_APRLIST.SLDDRT