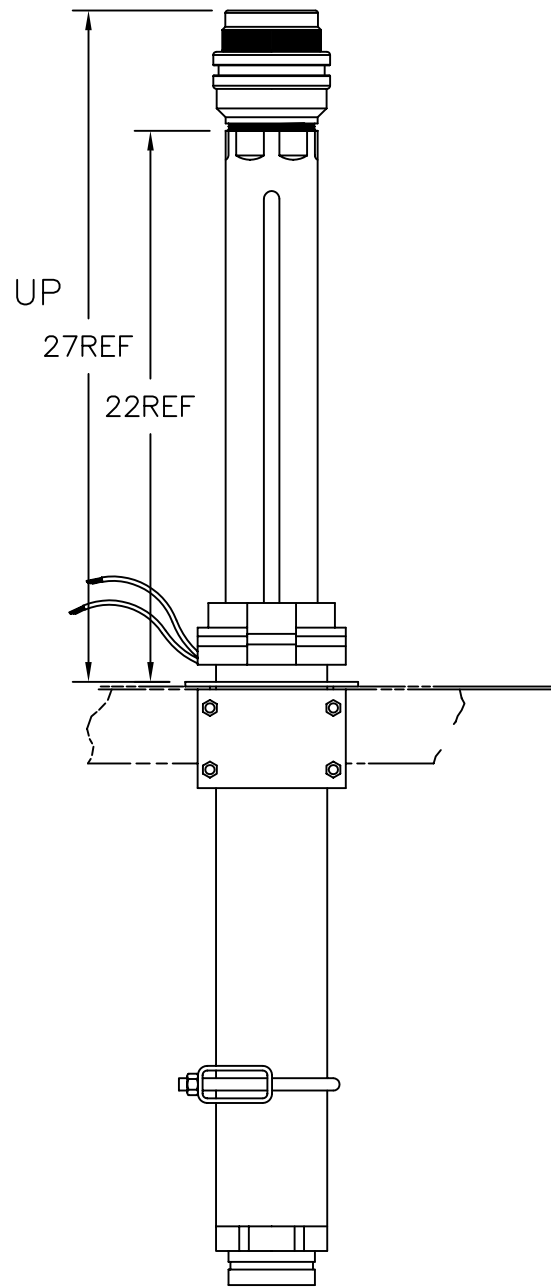
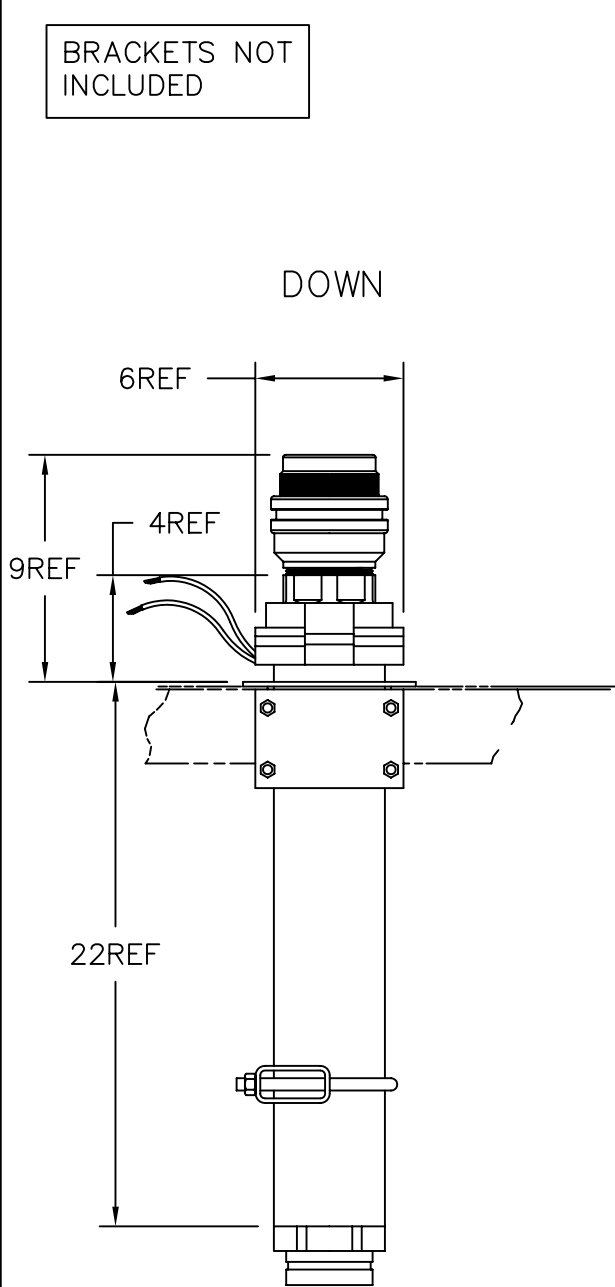
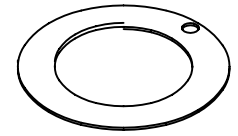


BRACKETS NOT INCLUDED



TRIM RING



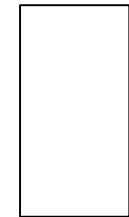
LABEL



LIGHT



POLY PACK



AS SHIPPED

TASK FORCE TIPS, INC.
 2800 E. EVANS AVE.
 VALPARAISO, IN 46383
 219-462-6161



REV	DATE	INITIALS

SCALE: 1/8x

PRINT DRAWN

3/8/00 BMH

PRINT APPROVED

3/10/00 RWB

DESIGN ENGINEER

Robert W. Steingass

DIMENSIONS IN 'INCHES' UNLESS SPECIFIED OTHERWISE

FILE: X\FIN & SUB\XG18VL-XL

F04-0052-01 REV. 00

PART NUMBER: XG18VL-XL

SHEET
1 OF 1

DESCRIPTION: EXTENDAGUN 18"- VIC X CROSSFIRE OUTLET

EXTRA DESC: 12 VDC RELAY AMERICAN RED