

TASK FORCE TIPS, INC.
 2800 E. EVANS AVE.
 VALPARAISO, IN 46383
 219-462-6161



| REV | DATE | INITIALS |
|-----|----------|----------|
| 1 | 2/17/04 | CPD |
| 2 | 5/24/07 | CPD |
| 3 | 11/20/09 | CPD |

SCALE: 1/2x

PRINT DRAWN
6/29/00 BMH

PRINT APPROVED
11/29/09 JZH

DESIGN ENGINEER
Thomas J. Moodie

DIMENSIONS IN 'INCHES' UNLESS SPECIFIED OTHERWISE

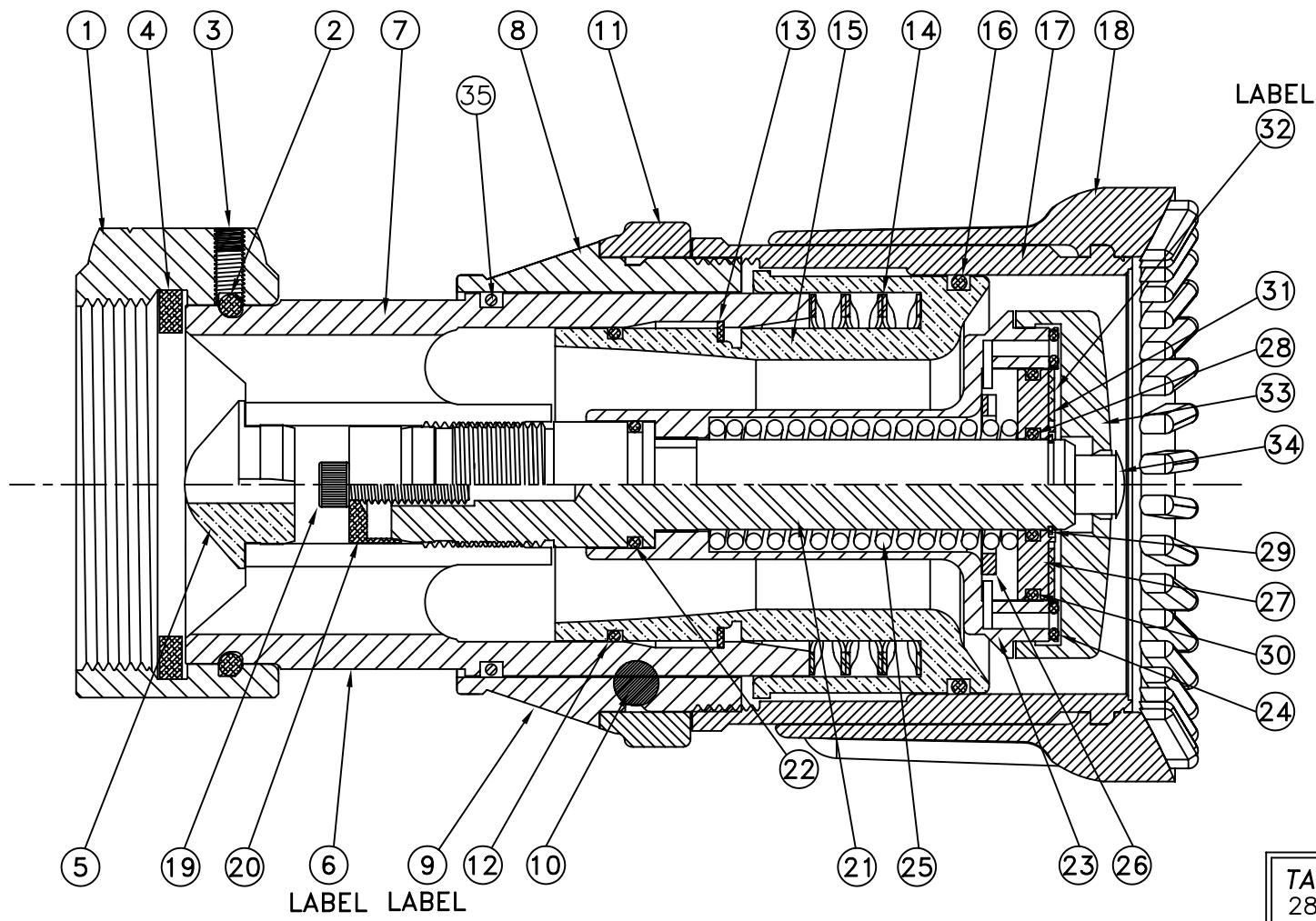
FILE: M\FIN & SUB\MD12A

PART NUMBER: MD12A


SHEET
1 OF 4

DESCRIPTION: MAX-FORCE TIP 2.5" FEMALE

EXTRA DESC: 100-500GPM 55/100PSI DUAL PRESSURE ALUM



TASK FORCE TIPS, INC.
 2800 E. EVANS AVE.
 VALPARAISO, IN 46383
 219-462-6161



| REV | DATE | INITIALS |
|-----|----------|----------|
| 1 | 2/17/04 | CPD |
| 2 | 5/24/07 | CPD |
| 3 | 11/20/09 | CPD |

SCALE: 2/3x
 PRINT DRAWN 6/28/00 BMH
 PRINT APPROVED 11/29/09 JZH Thomas J. Moodie
 DESIGN ENGINEER
 DIMENSIONS IN 'INCHES' UNLESS SPECIFIED OTHERWISE
 FILE: M\FIN & SUB\MD12A

PART NUMBER: MD12A

DESCRIPTION: MAX-FORCE TIP 2.5" FEMALE

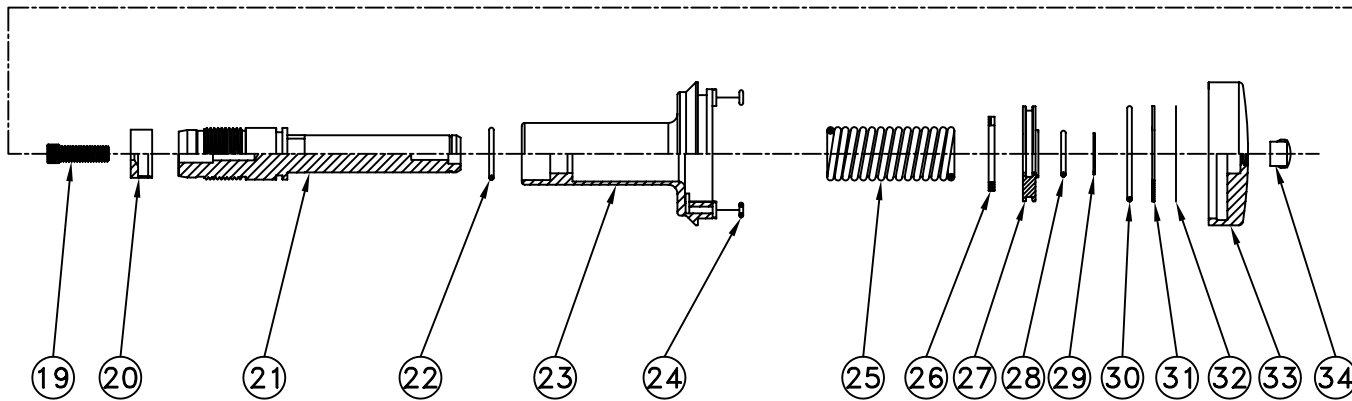
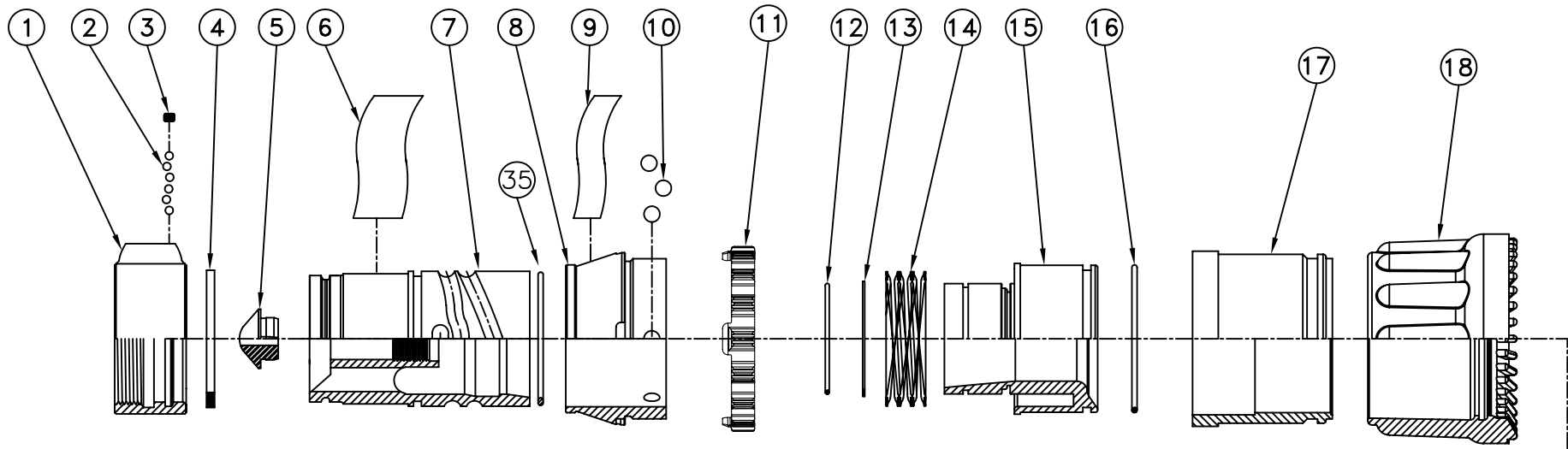
EXTRA DESC: 100-500GPM 55/100PSI DUAL PRESSURE ALUM

SHEET
2 OF 4


**MAX – FORCE NOZZLE
MODEL: MD12A
PARTS LISTING - SHEET 3 OF 4**

| # | Description | Qty | Part Number |
|----------|--|------------|--------------------|
| 1 | 2.5 NH COUPLING ROCKERLUG | 1 | M307N |
| 2 | 3/16" BALL - 302 STAINLESS STEEL | 48 | V2120 |
| 3 | 1/4-28 X 1/2 SOCKET SET | 1 | VT25-28SS500 |
| 4 | 2.5 COUPLING GASKET, 3.250 X 2.500 X .1875 CUT | 1 | V3190 |
| 5 | T.O. PLUG | 1 | MD591 |
| 6 | BARREL LABEL | 1 | MD740 |
| 7 | FIN CAN/BARREL | 1 | MD545 |
| 8 | SHAPER GUIDE | 1 | MD510 |
| 9 | NAME LABEL | 1 | MD745 |
| 10 | .375" BALL - TORLON | 3 | VB375TO |
| 11 | SPACER RING | 1 | MD513 |
| 12 | O-RING-143 2-7/16 ID 3/32 C/S | 1 | VO-143 |
| 13 | WS-250-SO2 SMALLEY RING 2.394/2.369 ID | 1 | VR4240 |
| 14 | FLUSH WAVE SPRING | 1 | MD785 |
| 15 | BARREL CONE | 1 | MD520 |
| 16 | O-RING-236 3 1/4 ID 1/8 C/S | 1 | VO-236 |
| 17 | SHAPER | 1 | MD500 |
| 18 | BUMPER | 1 | Z700 |
| 19 | 5/16-18 x 1.0" SOC. HEAD CAP | 1 | VT31-18SH1.0 |
| 20 | LOCKING SLEEVE | 1 | MD571 |
| 21 | SHAFT | 1 | MD570 |
| 22 | O-RING-118 7/8 ID 3/32 C/S | 1 | VO-118 |
| 23 | MAX-FORCE BAFFLE | 1 | MD561 |
| 24 | O-RING-104 VITON #514AD 1/8 ID 3/32 C/S | 2 | VO-104 |
| 25 | CONTROL SPRING 100 PSI | 1 | MD760 |
| 26 | 'C' SPACER .120 | 1 | MD565 |
| 27 | SUBBAFFLE - 100 PSI | 1 | MD562 |
| 28 | O-RING-116 3/4 ID 3/32 C/S | 1 | VO-116 |
| 29 | WST-75-SO2 SMALLEY RING .708/.695 ID | 1 | VR4245 |
| 30 | O-RING-132 1-3/4 ID 3/32 C/S | 1 | VO-132 |
| 31 | SPRING PLATE | 1 | MD555 |
| 32 | KNOB LABEL, 100 PSI STANDAR LOW PRESSURE | 1 | MD752 |
| 33 | KNOB | 1 | MD560 |
| 34 | HEYCO BLACK DOMEPLUG | 1 | VM4123 |
| 35 | O-RING -233 | 1 | VO-233 |

FILENAME: CIMNET_DATA\MMD12A\PARTS LIST.doc
DRAWN: 6/29/00 BY: BMH
REVISION #:3 CPD 11/20/09
APPROVED: 11/23/09 BY: TLH
PARTS LIST TO BE USED WITH: SHEET 2 OF 4, CROSS SECTION
LOCATED AT: CIMNET_DATA\MMD12A.dwg



TASK FORCE TIPS, INC.
 2800 E. EVANS AVE.
 VALPARAISO, IN 46383
 219-462-6161



| REV | DATE | INITIALS |
|-----|----------|----------|
| 1 | 2/17/04 | CPD |
| 2 | 5/24/07 | CPD |
| 3 | 11/20/04 | CPD |

SCALE: 1/4x
 PRINT DRAWN 6/27/00 BMH
 PRINT APPROVED 11/29/09 JZH
 DESIGN ENGINEER Thomas J. Moodie

DIMENSIONS IN 'INCHES' UNLESS SPECIFIED OTHERWISE
 FILE: M\FIN & SUB\MD12A

PART NUMBER: MD12A

SHEET
4 OF 4

DESCRIPTION: MAX-FORCE TIP 2.5" FEMALE

EXTRA DESC: 100-500GPM 55/100PSI DUAL PRESSURE ALUM