

AUTOMATIC PRESSURE CONTROL
ADJUSTABLE PRESSURE

TASK FORCE TIPS, INC.
2800 E. EVANS AVE.
VALPARAISO, IN 46383
219-462-6161



REV	DATE	INITIALS
3	8/4/05	ACY
4	1/9/08	CPD
5	12/10/09	CPD

SCALE: 1/4 X

PRINT DRAWN

12/21/04 MBJ

PRINT APPROVED

12/14/09 TLH

DESIGN ENGINEER

Alex Yovanovich

DIMENSIONS IN 'INCHES' UNLESS SPECIFIED OTHERWISE

FILE: M\FIN & SUB\MASTER 2000\

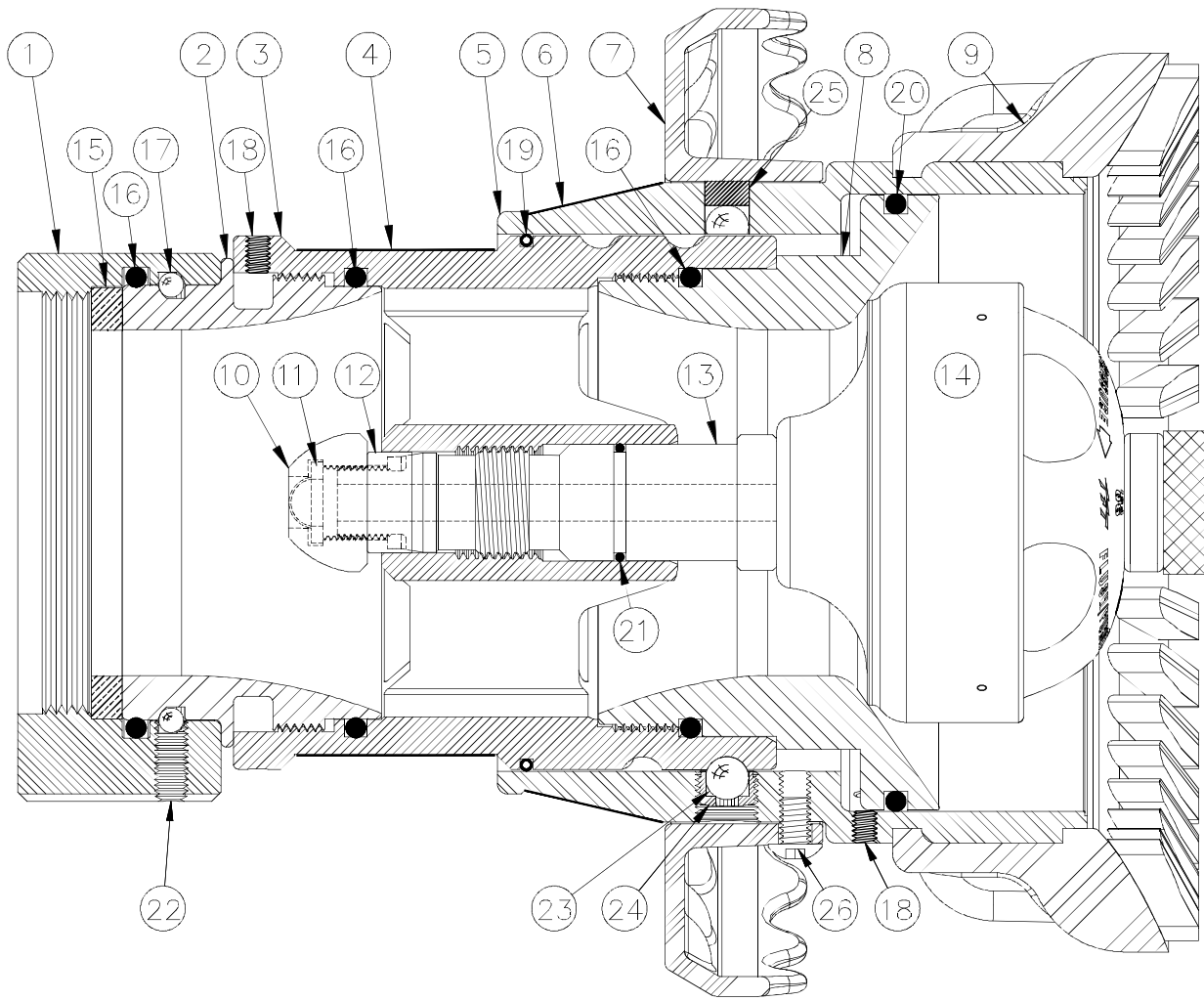
F04-0052-01 REV. 00

PART NUMBER: M-R2000-NN

SHEET
1 OF 3

DESCRIPTION: MASTER STREAM 2000 W/HALO 3.5"NH

EXTRA DESC: 300-2000 GPM @ 100 PSI



TASK FORCE TIPS, INC.
 2800 E. EVANS AVE.
 VALPARAISO, IN 46383
 219-462-6161



REV	DATE	INITIALS
3	8/4/05	ACY
4	1/9/08	CPD
5	12/10/09	CPD

SCALE: HALF

PRINT DRAWN

12/21/04 MBJ

PRINT APPROVED

12/14/09 TLH

DESIGN ENGINEER

Alex Yovanovich

DIMENSIONS IN 'INCHES' UNLESS SPECIFIED OTHERWISE

FILE: M\FIN & SUB\MASTER 2000\

PART NUMBER: M-R2000-NN

SHEET
2 OF 3

DESCRIPTION: MASTER STREAM 2000 W/HALO 3.5"NH

EXTRA DESC: 300-2000 GPM @ 100 PSI

**MASTER STREAM 2000 NOZZLE
MODEL: M-R2000-
PARTS LISTING
SHEET 3 OF 3**

Ref. #	Part Number	Qty.	Description
1*	MS687N	1	3.5" NH COUPLING ROCKERLUG
2	MS230	1	BASE RING
3	MS242	1	FIN CAN/BARREL
4	MS740	1	BARREL LABEL: MASTER STREAM 2000
5	MS200	1	SHAPER
6	MS747	1	NAME LABEL: MASTER STREAM 2000
7	MS216	1	HALO
8	MS220	1	BARREL CONE
9	MS205	1	BUMPER
10	MS272	1	REAR NUT
11	MS730	1	FILTER WASHER
12	MS271	1	LOCKING SLEEVE
13	MS270	1	SHAFT
14	MS820	1	PRESSURE CONTROL UNIT SUBASSEMBLY
15*	V3196	1	3.5" HOSE COUPLING GASKET
16	VO-348	3	O-RING-348 4-3/8 ID 3/16 C/S
17	V2125	54	1/4" BALL - 302 STAINLESS STEEL
18	VT25-20SS312	1	1/4-20 X 5/16 SOCKET SET SCREW
19	MS510	1	WEAR STRIP
20	VO-360	1	O-RING-360 5-7/8 ID 3/16 C/S
21	VO-120	1	O-RING-120 1 ID 3/32 C/S
22	VT31-24SS625	1	5/16-24 X 5/8 SOCKET SET SCREW
23	VB437TO	3	BALL 7/16" TORLON
24	FT260	1	CUP
25	MS218	2	SPACER
26	VT31E18BH500	3	5/16-18 X 1/2 BUTTON HEAD SCREW

*NOTE: VARIOUS COUPLINGS AVAILABLE. SPECIFY SIZE AND THREAD DESIRED.

CIMNET_DATA\MM-R2000-NN\M-R-NN.DOC 6-15-95 DMH
REVISION #5 12/10/09 CPD
APPROVED: 12/14/09 TLH
TO BE USED WITH: SHEET 2 OF 3 CROSS SECTION M-R2000-NN