


TASK FORCE TIPS, INC.
 2800 E. EVANS AVE.
 VALPARAISO, IN 46383
 219-462-6161



| REV | DATE | INITIALS |
|-----|----------|----------|
| 5 | 3/1/04 | CPD |
| 6 | 5/5/04 | CPD |
| 7 | 1/9/08 | CPD |
| 8 | 12/10/09 | CPD |

SCALE: 1/2x
 PRINT DRAWN 8/18/94 MBJ
 PRINT APPROVED 12/15/09 JZP
 DESIGN ENGINEER Robert W. Steingass

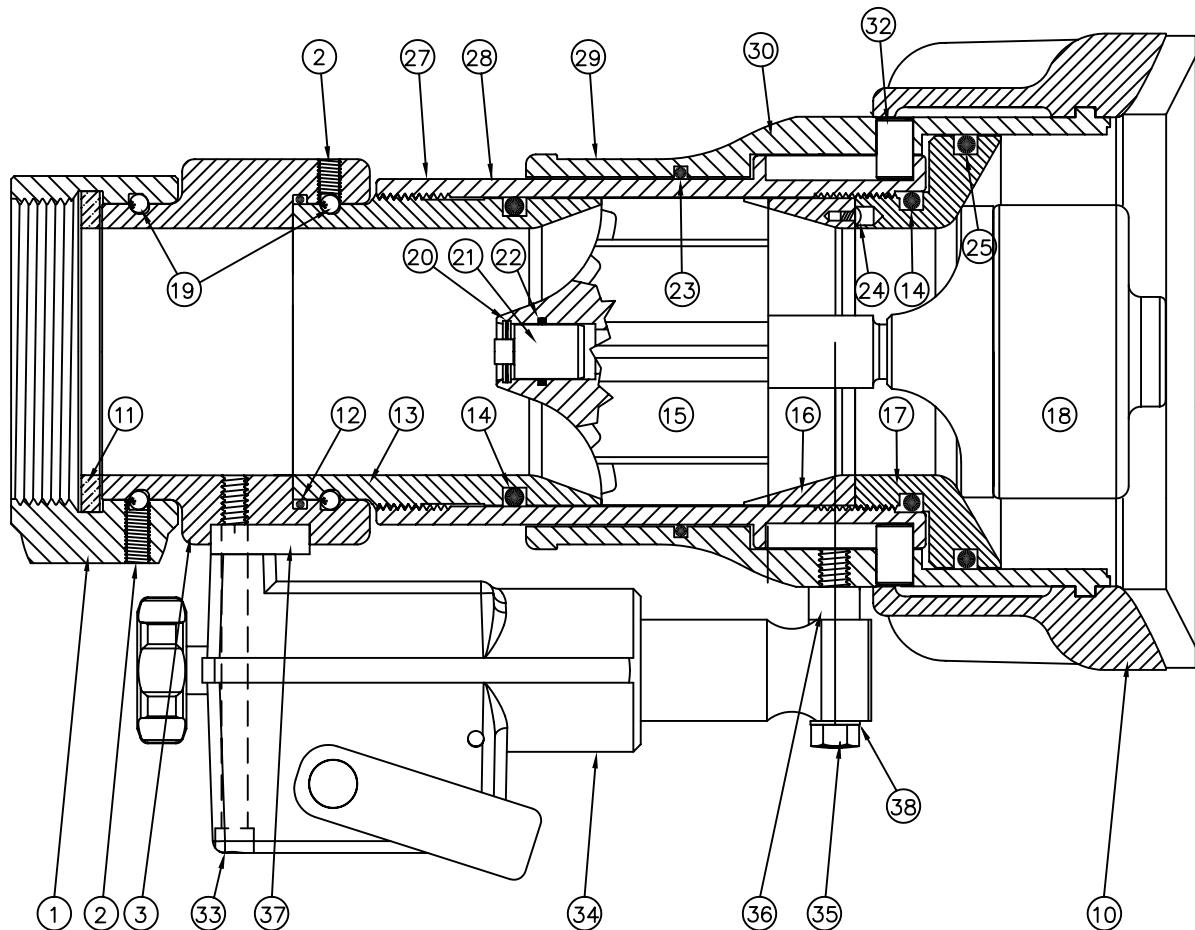
DIMENSIONS IN 'INCHES' UNLESS SPECIFIED OTHERWISE
 FILE: M\FIN & SUB\M-ER

PART NUMBER: M-ER1000-NJ

SHEET
1 OF 3


DESCRIPTION: MASTER STREAM 1000 ER 12-24VDC AUTO 2.5"

EXTRA DESC: 150-1000GPM @ 100PSI 12-24VDC ACTUATOR



CROSS SECTION VIEW

TASK FORCE TIPS, INC.
 2800 E. EVANS AVE.
 VALPARAISO, IN 46383
 219-462-6161



| REV | DATE | INITIALS |
|-----|----------|----------|
| 5 | 3/1/04 | CPD |
| 6 | 5/5/04 | CPD |
| 7 | 1/9/08 | CPD |
| 8 | 12/10/09 | CPD |

| | | |
|-------------|----------------|---------------------|
| SCALE: 1/2x | 8/18/97 | DMH |
| PRINT DRAWN | PRINT APPROVED | DESIGN ENGINEER |
| 12/15/09 | JLH | Robert W. Steingass |

DIMENSIONS IN 'INCHES' UNLESS SPECIFIED OTHERWISE
 FILE: M\FIN & SUB\M-ER

| | |
|-------------------------------------------------------|-----------------|
| PART NUMBER: MP-ER1250S-BJ | SHEET 2 OF 3 |
| PART NUMBER: M-ER1000-NJ | SHEET 2 OF 3 |
| DESCRIPTION: MASTER STREAM 1000 ER 12-24VDC AUTO 2.5" | |
| EXTRA DESC: 150-1000GPM @ 100PSI 12-24VDC ACTUATOR | |

MASTER STREAM 1000 & 1250S

AUTOMATIC ELECTRIC REMOTE NOZZLE

MODELS M-ER1000-NJ, MP-ER1250S-BJ

PARTS LISTING - SHEET 3 OF 3

| Ref. # | Part Number | Qty. | Description |
|--------|--------------|------|--------------------------------------|
| 1* | M307N | 1 | 2.5 NH Rockerlug Coupling |
| | M305B | 1 | 2.5 BSP Rockerlug Coupling |
| 2 | VT25-28SS500 | 1 | 1/4-28 x 1/2 Socket Set Screw |
| 3 | M190 | 1 | Ball Groove Adapter |
| 10 | M700 | 1 | Master Bumper |
| 11* | V3190 | 1 | 2.5" Coupling Gasket |
| | V3185 | 1 | 2.5" BSP Coupling Gasket |
| 12 | VO-151 | 1 | O-Ring 151 |
| 13 | M206 | 1 | Base Ring |
| 14 | VO-335 | 1 | O-Ring 335 |
| 15 | C910 | 1 | Master Fin Assembly |
| 16 | M245 | 1 | Slotted Ring |
| 17 | M200 | 1 | Barrel Cone |
| 18** | C810 | 1 | 1000 Conversion Front End |
| 19 | V2120 | 48 | 3/16 Stainless Steel Ball |
| 20 | V2010 | 1 | N5000-56H Snap Ring CTF |
| 21 | C105 | 1 | Control Nut Piston |
| 22 | VO-015 | 1 | O-Ring 015 |
| 23 | M510 | 1 | Wear Strip - Standard |
| 24 | VT02-00DS187 | 1 | 3/32 x 3/16 Drive Screw |
| 25 | VO-345 | 1 | O-Ring 345 |
| 27 | M740 | 1 | Barrel Label |
| 28 | M203 | 1 | Linear Barrel |
| 29 | M746 | 1 | TFT Name Label |
| | M746-F | 1 | Groupe Leader TFT Name Label |
| 30 | M101 | 1 | ER Shaper |
| 32 | M260 | 2 | Cam Pins |
| 33 | VT25-20SH3.2 | 2 | 1/4-20 x 3 1/4 Socket Head Cap Screw |
| 34 | M935 | 1 | Complete Master Actuator Assembly |
| 35 | VT31-18HX1.7 | 1 | 5/16-18 x 1 3/4 Hex Bolt |
| 36 | M056 | 1 | Front Master Spacer |
| 37 | M057 | 1 | Rear Master Spacer |
| 38 | VW500X313-40 | 1 | Washer 1/2"OD 5/16"ID .040"Thick |

*NOTE: OTHER COUPLINGS AVAILABLE, SPECIFY SIZE AND THREAD DESIRED

**NOTE: CONSULT FACTORY FOR OSHKOSH PRESURE CONTROL UNIT COMPONENTS

CIMNET_DATA\M-ER1000-NJM-ER.DOC 8/18/97 DMH REVISION #: 8 12/10/09 CPD

TO BE USED WITH: SHEET 2 OF 3 CROSS SECTION MFIN & SUBM-ER.DWG

APPROVED: 12/15/09 TLH