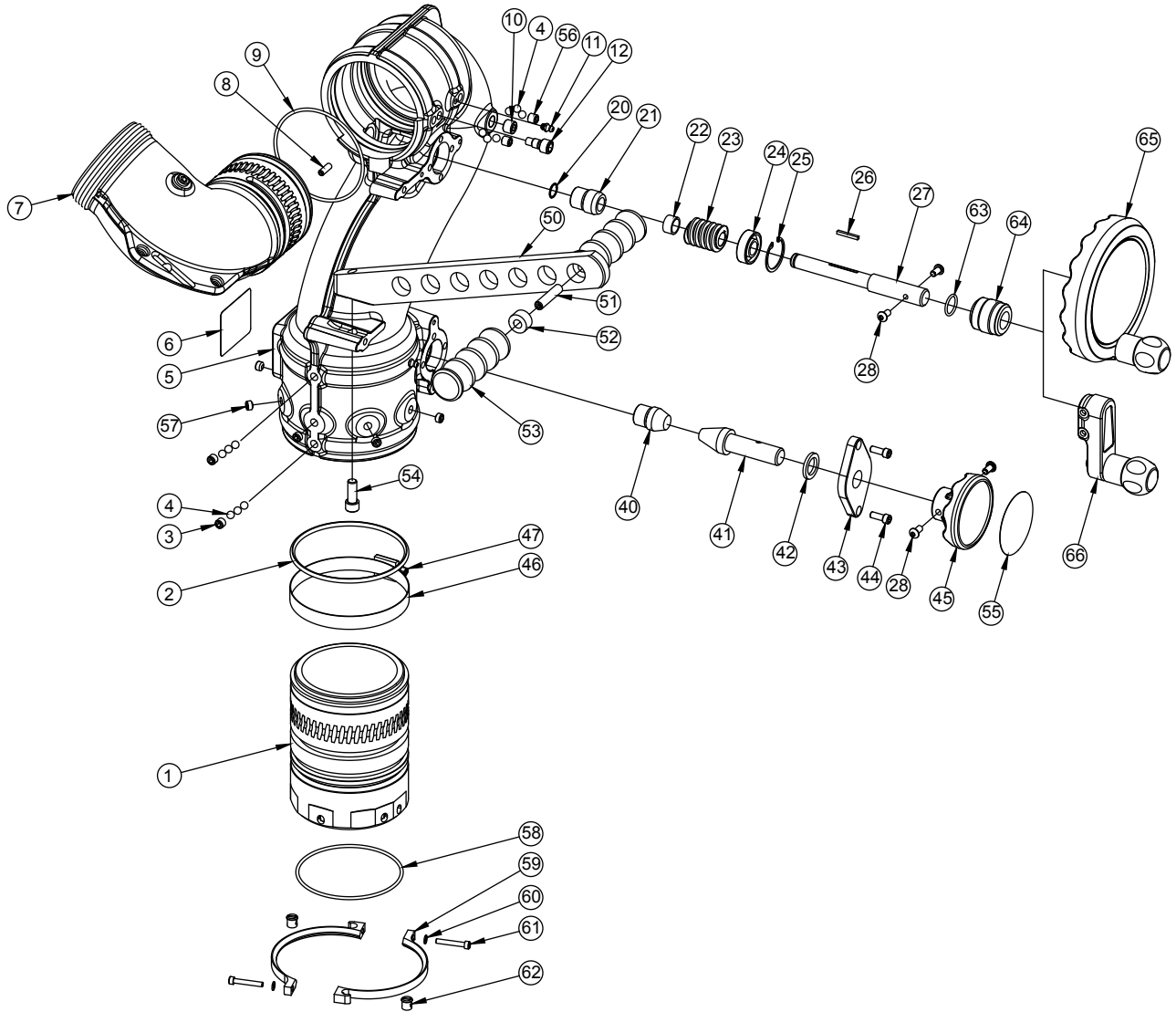


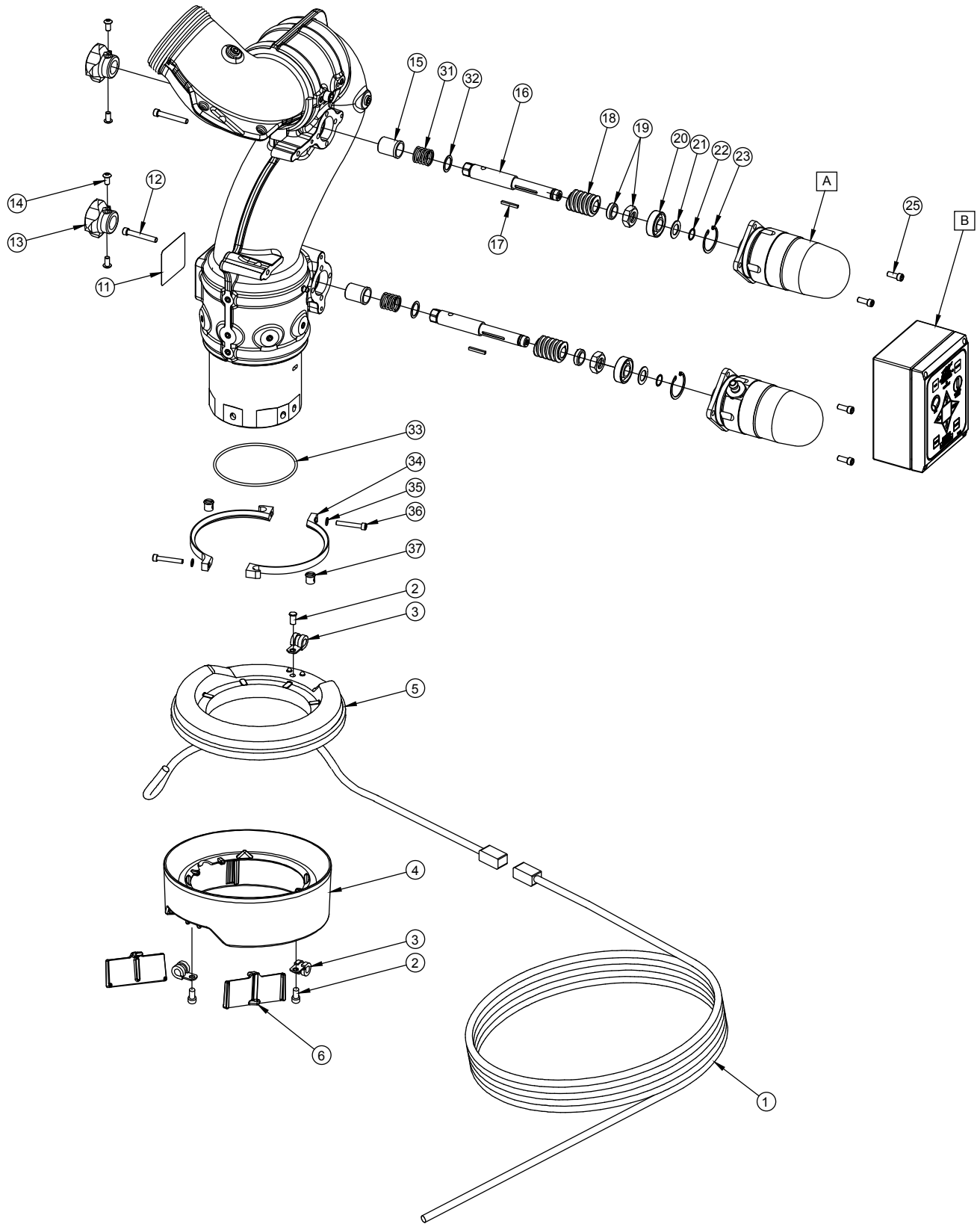
MANUAL TYPHOON



#	DESCRIPTION	QTY	PART #
1	BASE SHORT CODE-RPF 4"	1	Y4401A
	BASE CODE-RLF 3"		Y4405A
	BASE QUICK CONNECT 4.5"NHF SUBASSY		Y4960
	TILLER BASE QUICK CONNECT 4.5"NHF SUBASSY		Y4961
2	O-RING-350	1	VO-350
3	3/8-24 X 5/16 SOCKET SET SCREW	2	VT37-24SS312
4	5/16" TORLON BALL	184	VB.312TO
5	LOWER SECTION RC	1	Y3110A
6	NAME LABEL	1	Y3124
7	ELBOW 3 1/2"	1	Y3310A
8	1/4-28 X 3/4 SOCKET SET SCREW	2	VT25-28SS750
9	O-RING-243	1	VO-243
10	1/4"NPT PLUG	2	VFSP2M-SS

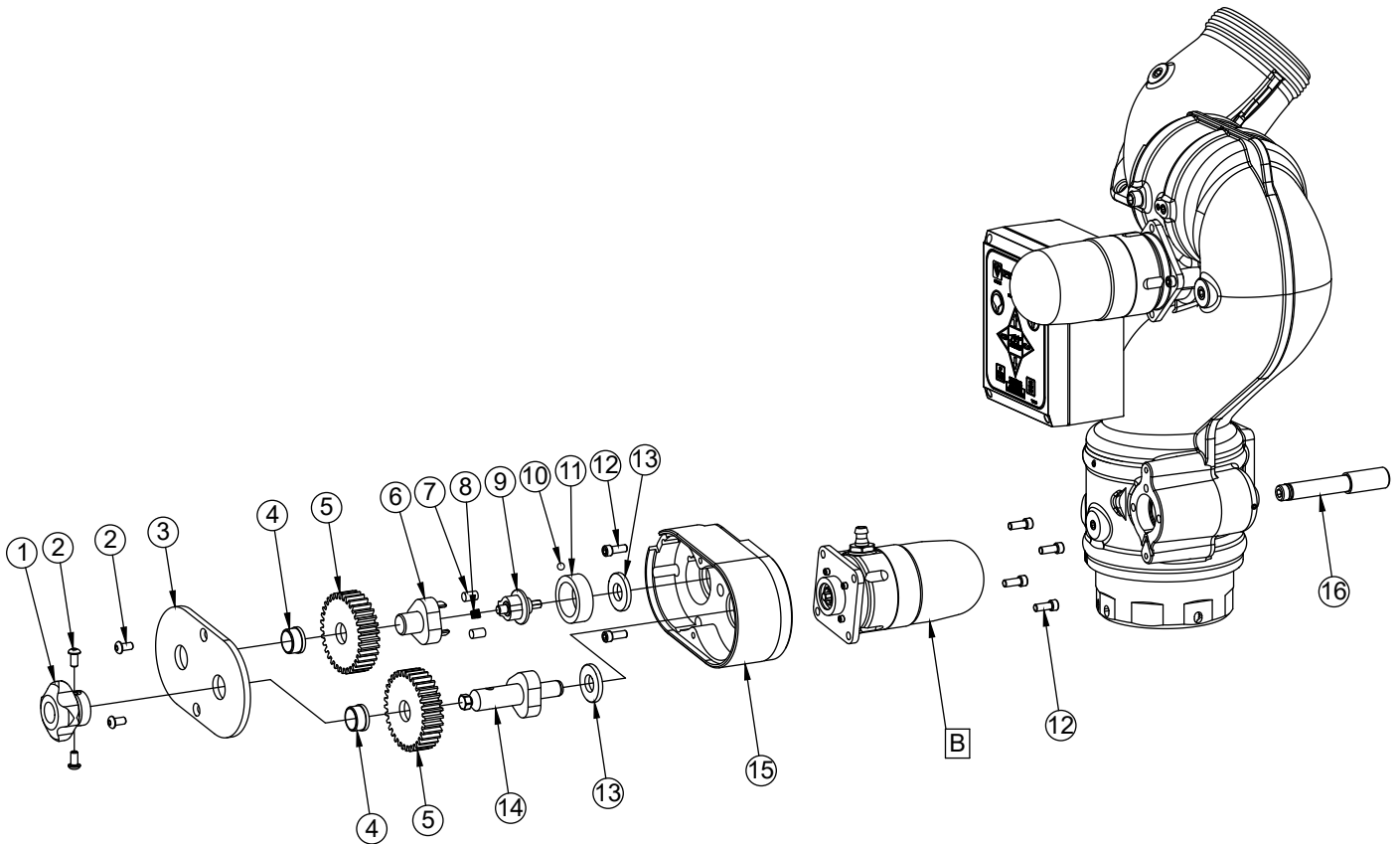
#	DESCRIPTION	QTY	PART #
11	GREASE FITTING	2	VT25-28ZERK
12	STOP BOLT	1	Y4145
20	SMALLEY RING	1	VR4365
21	BUSHING	1	Y3162
22	SPACER	1	Y4150
23	12 DP WORM	1	X220
24	BEARING	1	VM4252
25	SNAP RING	1	VR4220
26	KEY	1	X225
27	DRIVE SHAFT	1	Y3160
28	1/4-20 X 1/2 BUTTON HEAD SCREW	4	VT25-20BH500
29	HANDWHEEL	1	X281
30	HANDWHEEL LABEL	1	A1306
31	3/8-16 X 1-1/2 BUTTON HEAD SCREW	1	VT37-16BH1.5
32	CRANK BUSHING	1	A1513
33	WASHER	1	VW812X406-65
34	KNOB	1	A1512
40	COVER	1	Y4192
41	LOCKING BOLT	1	Y3193
42	THIN WASHER	1	A1530
43	RETAINER	1	Y3194
44	1/4-28 X 5/8 SOCKET HEAD SCREW	2	VT25-28SH625
45	LOCKING KNOB	1	Z245
46	BAND CLAMP	1	Y3191
47	CLAMP SHIELD	1	Y3190
50	TILLER HANDLE	1	Y2316
51	3/8-16 X 1 3/4 SOCKET SET SCREW	1	VT37-16SS1.7
52	HANDLE BUSHING	1	Y2317
53	PEG	2	X362
54	3/8-16 X 1 SOCKET HEAD SCREW	1	VT37-16SH1.0
55	OVERRIDE KNOB LABEL	1	Y4176
56	3/8-24 X 3/8 SOCKET SET SCREW	2	VT37-24SS375
57	3/8-24 X 1/4 SOCKET SET SCREW	5	VT37-24SS250
58	O-RING-244 RPF-INLET	1	VO-244
	O-RING-236 RLF-INLET		VO-236
59	4" MONITOR BASE CLAMP	2	Y4435
	3" MONITOR BASE CLAMP		Y4436
60	WASHER	2	VW360X200-04
61	10-24 X 1 1/4 SOCKET HEAD SCREW	2	VT10-24SH1.2
62	CYLINDER NUT	2	Y4437
63	O-RING-116	1	VO-116
64	BUSHING	1	Y3163
65	HANDWHEEL SUBASSEMBLY	1	Y3910
66	CRANK WITH KNOB SUBASSEMBLY		A1629

TYPHOON RC



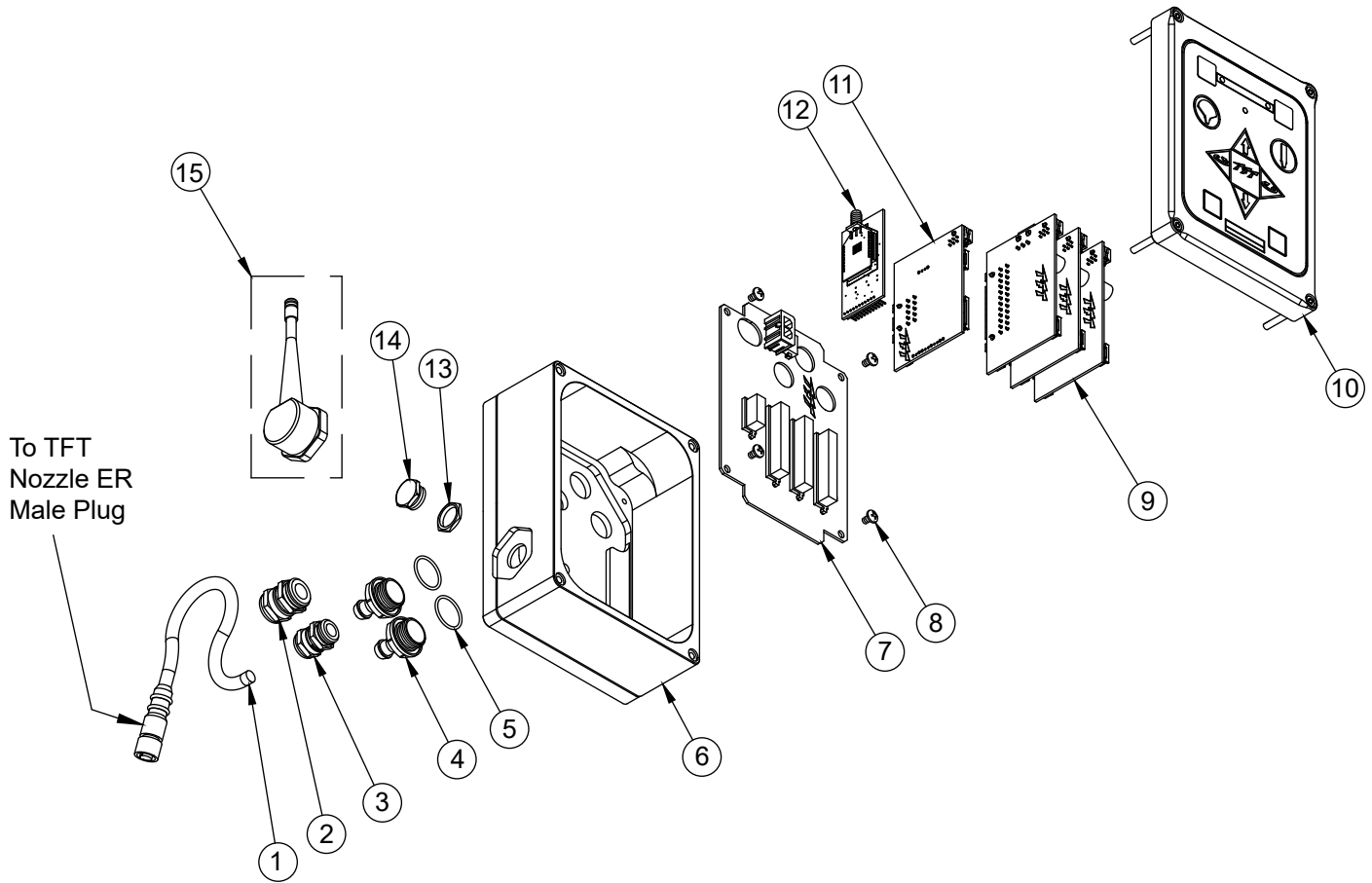
#	DESCRIPTION	QTY	PART #
1	CABLE - POWER & COMM.	30'	Y5200
2	1/4-20 X 1/2 BUTTON HEAD SCREW	3	VT25-20BH500
3	CLAMP	3	Y4655
4	LOWER WIRE SKIRT	1	Y4660
5	UPPER WIRE SKIRT	1	Y4650
6	WIRE SKIRT RETAINER	2	Y4661
11	NAME LABEL	1	Y3122
12	1/4-28 X 1-3/4 SOCKET HEAD SCREW	2	VT25-28SH1.7
13	OVERRIDE KNOB	2	Y3165
14	1/4-20 X 1/2 BUTTON HEAD SCREW	4	VT25-20BH500
15	HEADED BUSHING	2	Y4141
16	DRIVE SHAFT	2	Y4163
17	KEY	2	X225
18	12 DP WORM	2	X220
19	MALE THREADED BUSHING	2	Y2175
	FEMALE THREADED BUSHING	2	Y2176
20	BEARING	2	VM4252
21	WASHER	2	VW97X595-048
22	SMALLEY RING	2	VR4365
23	SNAP RING	2	VR4220
B	MOTOR ENCLOSURE SUBASSEMBLY	2	SEE SECTION 10.5
25	1/4-28 X 5/8 SOCKET HEAD SCREW	4	VT25-28SH625
A	CONTROL BOX SUBASSEMBLY	1	SEE SECTION 10.4
31	SHAFT SPRING	2	Y4159
32	WASHER	2	VW1.0X759-04
33	VO-RING-244 RPF-INLET	1	VO-244
	VO-RING-236 RLF-INLET		VO-236
34	4" MONITOR BASE CLAMP	2	Y4435
	3" MONITOR BASE CLAMP		Y4436
35	WASHER	2	VW360X200-04
36	10-24 X 1 1/4 SOCKET HEAD SCREW	2	VT10-24SH1.2
37	CYLINDER NUT	2	Y4437

LADDER TYPHOON RC



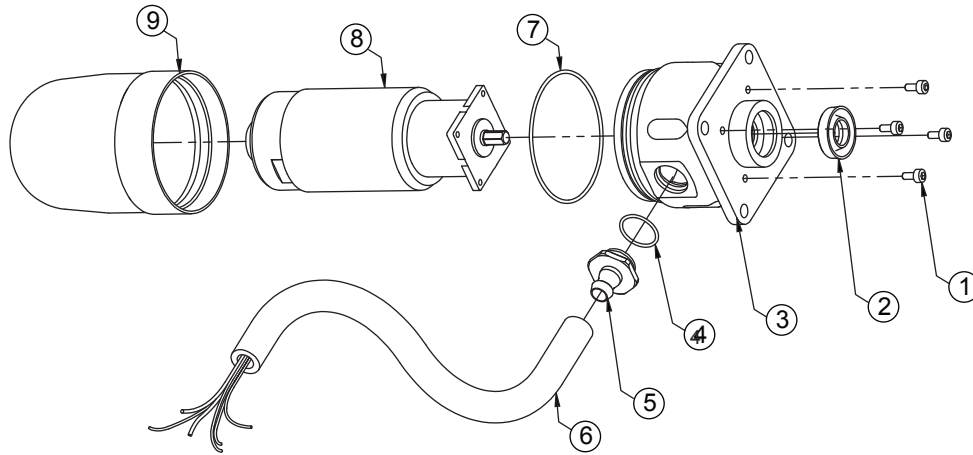
#	DESCRIPTION	QTY	PART #
1	OVERRIDE KNOB	1	Y3165
2	1/4-20 X 1/2 BUTTON HEAD SCREW	4	VT25-20BH500
3	GEARBOX COVER	1	Y4262
4	SHORT HEADED BUSHING	2	XGE634
5	GEAR	2	Y4261
6	DRIVING SHAFT	1	Y4265
7	DOWEL PIN	2	VP312X.50
8	ANTI-BACK-DRIVE SPRING	1	Y4266
9	DRIVEN SHAFT	1	Y4263
10	1/4" SS BALL	1	V2125
11	FLOATING RING	1	AY352
12	1/4-28 X 5/8 SOCKET HEAD SCREW	6	VT25-28SH625
13	BUSHING	2	XGE637
14	DRIVE SHAFT	1	Y4264
15	GEARBOX	1	Y4260
16	DRIVE SHAFT	1	Y4267
B	MOTOR ENCLOSURE SUBASSEMBLY	1	SEE SECTION 10.5

CONTROL BOX SUBASSEMBLY



INDEX	DESCRIPTION	QTY	PART #
1	CABLE - 6 POLE FEMALE PLUG	21" or 28" TOTAL LENGTH USED	Y5475
	FOR TYPHOON RC NOZZLE CONNECTION	16" or 23" EXPOSED CABLE (NOT INCLUDING PLUG)	
2	PG11 STRAIN RELIEF	1	Y5205A
3	PG9 STRAIN RELIEF	1	Y5245A
4	CONDUIT FITTING	2	Y5213
5	O-RING-018	2	VO-018
6	ENCLOSURE BOX	1	Y5116B
7	MAIN BOARD	1	Y5105
8	M4-0.7 X 6MM PHILLIPS HEAD SCREW	4	VTM4-0.7PH6
9	MOTOR CONTROL BOARD	3	Y5100
10	MONITOR CONTROL BOX SHELL - SUBASSEMBLY	1	Y5801-LID
11	COMMUNICATION BOARD	1	Y5110-B
*12	RADIO + ADAPTER XBEE TO XSTREAM 900 MHZ RADIO	1	Y5891
	RADIO + ADAPTER XBEE TO XSTREAM 2.4 GHZ RADIO		Y5893
13	PG9 LOCKNUT	1	Y5246
14	PG9 HEX PLUG	1	Y5248
*15	900/920 MHZ ANTENNA W/FITTING & CONN. SUBASSY.	1	Y5897
	2.4 GHZ ANTENNA ADAPTER W/CONN. SUBASSY.		Y5898
* - OPTIONAL			

MOTOR ENCLOSURE SUBASSEMBLY



#	DESCRIPTION	QTY	PART #
1	6-32 x 5/16 LONG SHCS WITH HEAD SEAL	4	VT06S32SH312
2	CUP SEAL 1.0625 x .5625 x 1/4	1	Y4620
3	MOTOR SOCKET, ANGLED FITTING	1	Y4617
4	O-RING-018, 3/4 ID 1/16 CS	1	VO-018
5	CONDUIT FITTING	1	Y5213
6	HOSE - 3/8" ID PUSH-LOK	1	Y5250
7	O-RING-038, 2-5/5 ID 1/16 CS	1	VO-038
8	GEAR MOTOR WITH ENCODER	1	Y4611-KIT
9	ENCLOSURE	1	Y4616